

domax[®]



30 YEARS
of EXPERIENCE

ABOUT US

Domax Sp. z o. o. was founded in 1994 as a family company focused on the production and distribution of wood connectors in Poland and later in Europe. A wide range, high quality of products and the involvement of qualified professionals have made Domax one of the market leaders in the region, and CE certification guarantees compliance of construction products with European guidelines. Today, we are consistently expanding our international sales network in Europe. Customer trust is confirmed by successfully operating branches in the Czech Republic, Slovakia, Romania, Bulgaria, Croatia, Serbia and Germany, as well as constant distribution in most European countries (including the Baltic States, Spain, Moldova, Denmark, Belgium, France, Italy, Austria, Slovenia, Ukraine).



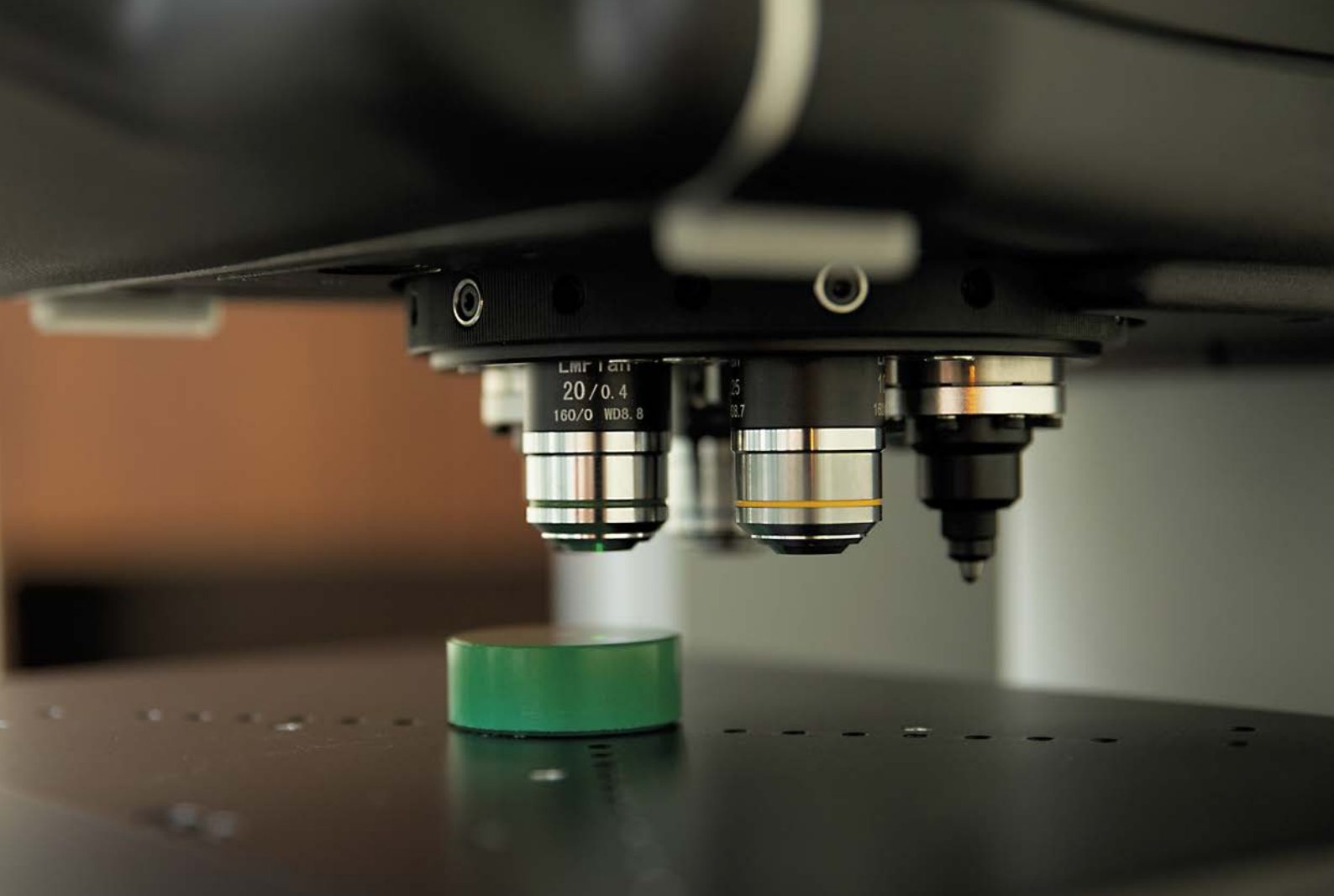


Logistics

We implement system solutions aimed at optimizing communication with the external and internal environment of the company. We improve forwarding processes aimed at ensuring our customers with delivery of goods even within 24 hours of placing an order. We offer effective and proven tools, programs and strategies.

- ▶ machine park with an area of 7,000 m²
- ▶ a modern warehouse with a capacity of 14,500 pallet spaces
- ▶ products with the CE mark that meet European standards
- ▶ own professional research and development laboratory
- ▶ branches and distribution in several European countries





CERTIFICATION AND QUALITY CONTROL

The Domax company has a modern laboratory that guarantees the highest standard of manufactured building materials. The production process is preceded by a series of technical tests, and the products undergo regular quality control tests.

Before a DOMAX® article is distributed, it undergoes a series of tests. We check compliance with generally applicable standards, such as PN-EN14545 and with our internal quality standards.



 European Technical Approvals

The test results of the Domax laboratory are confirmed by certification centers - the Czech TZUS, the Polish Building Research Institute ITB and the Gdańsk University of Technology. Because our internal standards often exceed generally accepted standards, quality verification performed in Polish and European centers is actually a formality.

The CE symbol on DOMAX® products confirms that the marked construction product is compliant with the harmonized European standard (hEN) or with ETA (a system intended primarily for new and innovative products) and that the assessment and verification of the product's constancy of performance has been carried out - certification. The European directives regulating the certification specify the parameters concerning the safety of use, health protection and environmental protection, and define the hazards that the manufacturer of a construction product should detect and eliminate.

Construction products must meet a number of quality requirements. To ensure this, at every stage of production, we test the properties of products, and our experienced specialists watch over the professionalism of the entire process using technically advanced control and measurement equipment. We are constantly improving the control process, verifying every stage of production - from the technical design, through the delivery and use of the highest quality materials, strict standards of manufacturing technology, to the final packaging of the products.

We believe that the basis for quality development is systematically acquired and documented knowledge. Each product has its own technological card, manufacturing drawings and history of test reports. Thanks to this, we are able not only to quickly implement new products that meet the requirements of European standards, but also to optimize the solutions present on the market.

PROTECTIVE COATINGS

DUPLEX ■

Double protection for a particularly high level of security. Cold-rolled sheet metal with a zinc coating applied on both sides, weight not less than 275 g/m² and thickness of about 20 µm. Additionally, DUPLEX products are powder coated, which ensures high tightness of the coating and increased corrosion resistance. Details protected in this way can be used in places periodically exposed to rain or snowfall.

ELECTROGALVANIZING ●●

Fe/Zn 12 electroplating zinc coating > 12 µm thick, applied in accordance with PNEN ISO 2081.
 Yellow passivation – yellow galvanic zinc is characterized by significant protection against corrosion, shows twice the resistance to external conditions than blue (silver) passivation. Recommended for outdoor applications exposed to precipitation and other unfavorable factors.
 Blue (silver) passivation – silver galvanic zinc has a lower corrosion resistance. Products covered with such a coating are intended for use in dry rooms with the possibility of only temporary exposure to moisture (second class of use according to PNEN 199511: 2010).

HOT-DIP GALVANIZING ●

The coating is applied by immersing an object in molten zinc at a temperature of approx. 450 °C. The obtained coating thickness is approximately 80–90 µm. Thick-layer protection is recommended for products exposed to long-term exposure to moisture, especially for elements used in the garden. Decorative paints intended for galvanized surfaces can be applied over this coating.

ZINC FLAKE (LAMELLAR) ●

The use of the Magni 565 coating, which covers the steel surface with a mixture of zinc and aluminum flakes and binding and hardening components. This is currently the highest level of corrosion protection. It has a salt spray corrosion resistance (VDA235104 / DIN EN ISO 9227) of more than 240 hours to white corrosion and over 1,000 hours to red corrosion. Magni coatings are Cr-free and meet the requirements of the following standards: RoHS, REACH, ELVD, GADSL and WEEE. Zinc flake is used wherever the highest level of protection and durability of products is required.

CATAPHORESIS ●

Modern technology of applying a protective anti-corrosion coating on metal surfaces. It consists in immersion painting with the simultaneous flow of electricity through a bath of water-soluble paint. Electrically charged paint particles, moving along the lines of the electric field, settle on the surface of the entire article, also in places inaccessible when using other painting techniques. Cataphoresis guarantees the possibility of obtaining a wide range of coating thicknesses (from 15 to 40 µm) and excellent anti-corrosion resistance (up to 1,000 h in a salt spray chamber).

PRE-GALVANIZED STEEL Z275 ●

Cold-rolled sheet metal with a molten zinc coating applied on both sides, weight not less than 275 g/m² and thickness of about 20 µm. Most often it is additionally covered with a thin layer of oil film increasing the protection of the zinc layer against oxidation. Products made of galvanized sheet Z275 are characterized by high resistance to external factors, thanks to which they are perfect wherever high corrosion resistance is required, especially in open-air structures.

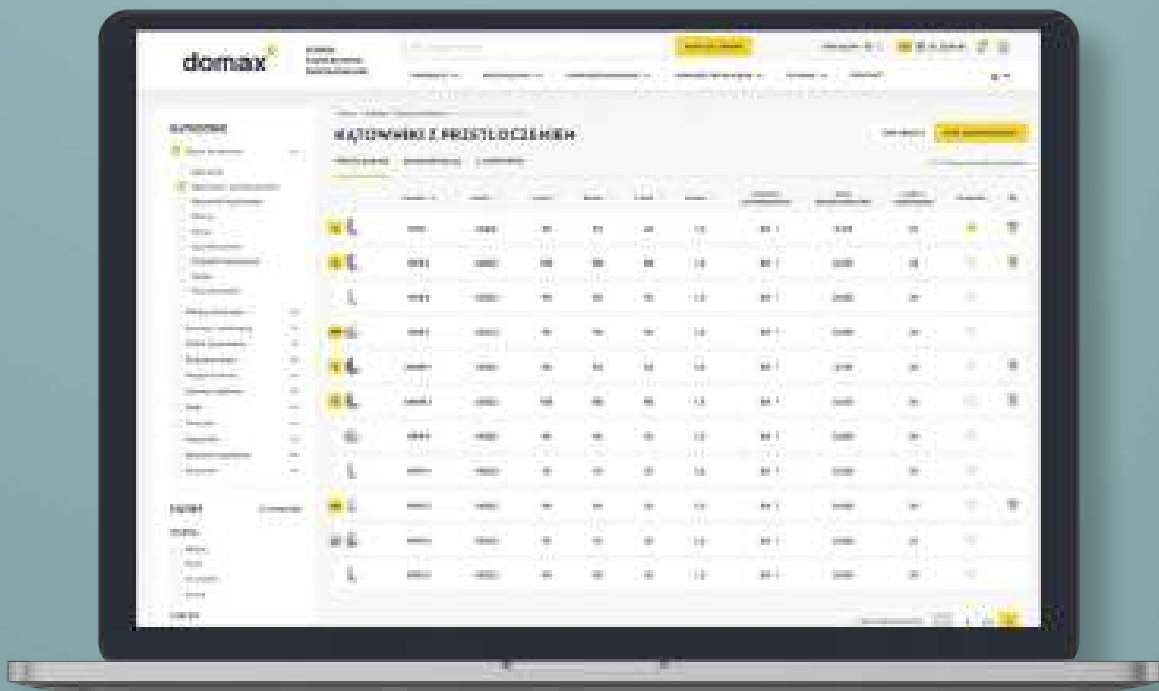
POWDER PAINTING ●◆

Powder coated products are protected by applying electrified particles (20,100 µm) of powder paint. The deposited powder layer remains on the surface of the painted detail due to electrostatic forces. Powder coating ensures high tightness of the coating and increased corrosion resistance. The thickness of the painting layer is 60 µm.

B2B PLATFORM

The friendly and functional DOMAX B2B platform ensures easy and convenient cooperation with our business partners::

- ▶ two ways of browsing the product offer: basic view of the product gallery and advanced view of the list
- ▶ product filters displayed as multiple-choice lists
- ▶ easy access to order history and renewing them
- ▶ preview of all invoices
- ▶ shortened complaint process
- ▶ extensive personalization options: adding and editing shipping addresses, checking the progress in the discount program or creating your own search paths
- ▶ dark mode - a great alternative for people using the Domax B2B service in the evening
- ▶ fully responsive - the platform is fully adapted to mobile devices (smartphones and tablets), thanks to which access to the basket, orders or invoices is always at hand
- ▶ additional functionalities: a tutorial available at any time of using the platform, active notifications that allow you to stay up to date with all promotions and important messages regarding the website



COMMERCIAL SUPPORT

Our partners receive support commercial and marketing in the form of:

- ▶ assistance with the first and subsequent restockings
- ▶ assistance in preparing a sales display of products
- ▶ cooperation in handling complaints and returns
- ▶ organized promotions and sales
- ▶ product and marketing training
- ▶ permanent trade discounts



domax 

TABLE OF CONTENTS

WOOD CONNECTORS p. 31

NAILING SCHEMES p. 32

LOADING CAPACITY SCHEMES p. 32

ANGLE BRACKETS p. 33

KP	Angle bracket with reinforcement	p. 33
KPS	Angle bracket with reinforcement	p. 36
KPL	Angle bracket with reinforcement	p. 37
LBS	Angle bracket double reinforced	p. 38
KPK	Angle bracket with reinforcement	p. 40
KLR	Angle bracket 135°	p. 41
KL	Angle bracket	p. 42
KM	Perforated angle bracket	p. 44
KMP	Perforated angle bracket with reinforcement	p. 46
KK	Anchor angle bracket	p. 48
LBZ	Concrete angle bracket	p. 50
KMR	Perforated adjustable angle bracket	p. 53
KMRP	Perforated adjustable angle bracket with reinforcement	p. 53
KRD	Adjustable angle bracket	p. 54
KR	Adjustable angle bracket	p. 55
KW	Narrow angle bracket	p. 56
FKW	Rounded angle bracket	p. 58
KB	Construction angle bracket	p. 59
KS	Wide angle bracket	p. 60
KSO	Wide angle bracket	p. 60
KSZ	Wide rounded angle bracket	p. 61
FKS	Adjustable angle bracket	p. 61
LK	Rafter connector	p. 62
LZ	Z-type connector	p. 63
KG	Folded connector	p. 64
OSK	Decorative angle bracket	p. 65

FLAT CONNECTORS p. 66

PP	Perforated plate	p. 66
LP	Flat connector	p. 68
TM	Fixing tape	p. 70
LG	Thick connector	p. 72
FLW	Rounded assembly connector	p. 73
LW	Narrow flat connector	p. 74
NA	Corner plate	p. 76
NAO	Decorative corner plate	p. 77
NAS	Corner plate	p. 78
NAD	Decorative corner plate	p. 79
NS	Chest corner	p. 80
KT	„T” type connector	p. 82
FKT	Mounting connector type „T”	p. 83

JOIST HANGERS p. 84

WB	Joist hanger	p. 84
WBZ	Joist hanger folded	p. 88
WBD	Joist hanger divided	p. 90
WL	Joist hanger light	p. 91

SPECIAL WOOD CONNECTORS p. 92

SK	Construction anchor	p. 92
PD	Roof batten support	p. 93
KLM	Beam clamp	p. 94
LBO	Circle beam connector	p. 95

ELEMENTS for ASSEMBLING GARDEN ARCH. p. 97

NAILING SCHEMES p. 98

LOADING CAPACITY SCHEMES p. 98

GROUND-IN POST SUPPORTS p. 99

PSG	Drive-in post support	p. 99
PSGR	Adjustable drive-in post support	p. 100
PWU	Screw-in post support	p. 101
PWG	Screw-in post support (with no accessories)	p. 102
PWOM	Horizontal beam mounting lid	p. 104
PWO	Screw-in post support with spacer	p. 106
PWH	Adjustable bracket	p. 107
KR	Hex flange for PWM	p. 107
PWM	Screw-in post support (hexagonal)	p. 108
PWB	PWM support extension	p. 109
PWF	Screw-in post support (square base)	p. 110
PWC	PWM/PWF post support extension	p. 111
PWT	Threaded-socket ground screw anchor	p. 116
PWTU	Lifting eye bolt	p. 117
KRS	Adjustable bracket	p. 117
KWZ	Threaded-socket ground screw anchor	p. 118
PWP	Screw-in peg	p. 118
PWA	Screw-in umbrella support	p. 119
CTG	Assembly kit	p. 119
PWPP	Planetary gear	p. 120
PWE	Rod for screw-in post supports	p. 120
PWKT	Hand spanner for round supports	p. 121
PWKU	Adapter for PWU	p. 121
WD	PSG drive-in tool	p. 121

CONCRETE-IN POST SUPPORTS p. 125

PS	U-type post support	p. 125
PS 500	U-type post support (long bar)	p. 128
PS R500	U-type post support (long tube)	p. 129
PSZ	U-type post support	p. 130

PSL	U-type post support (light)	p. 131
PS5	U-type post support (wide)	p. 132
PSR500	U-type post support (long tube)	p. 133
PS5Z	U-type post support	p. 134
PSF	F-shaped post support	p. 134
PSH	H-shaped post support	p. 135
PSW	T-type post support	p. 136
PSWR500	Post support (long bar)	p. 137
PSRU	Adjustable post support	p. 138
PSRU 500	Adjustable post support on thick bar	p. 139
PSRU R500	T-type post support with a long tube	p. 139
PPS	Post support	p. 140
PPSR	Adjustable threaded post support	p. 141

SCREW-IN POST SUPPORTS p. 142

PR	Adjustable threaded post support	p. 142
PSR	Adjustable threaded post support	p. 144
PSRP	Adjustable threaded post support	p. 146
PSRT	Adjustable post support	p. 147
PSP	Post support with rectangular base	p. 148
PSPD	Post support	p. 150
PSD	Post support	p. 152
PSP DX	Post support open	p. 154
PSPW	Post support	p. 156
PSPA	Post support	p. 162
PSPO	Post support	p. 163
PSPOD	Post support	p. 164
PDP	Screw-in umbrella support	p. 165
PSPN	Post support with rectangular base	p. 165
PUW	Post support	p. 166
PMF	Post support	p. 167
PMFU	Post support	p. 168
PSO	Post support	p. 169
PSOZ	Post support	p. 170
PSSOZ	Post support	p. 171
PSK	Post support	p. 172
PST	TT-shaped post support	p. 173
PSOL	Post support	p. 174
PSB	Post support	p. 175
PSC	Post support	p. 176

ELEMENTS for ASSEMBLING GARDEN ARCH. p. 177

DK/DKK	Post cap	p. 177
OP	L- bracket	p. 178
SEK	Connector for firewood stand	p. 179
GPLN	Pergola corner connector	p. 180
GPLP	Pergola crossbeam connector	p. 180
GPPS	Pergola post support	p. 181
SD	Decorative SD wood connectors	p. 182
GHKO	Circle beam connector	p. 184
GHMK	Sqare beam connectors	p. 185
GHLS	Wall beam connector	p. 185
GHSK	Square beam wall connecto	p. 186
GHSO	Circle beam wall connector	p. 186
GHVK	Square beam connector	p. 187
GHVO	Circle beam connector	p. 187
GHZ	Screw plug	p. 188
GHS	Plastic seats	p. 189
MH	Swing hangers, universal hangers	p. 190

GARDEN FITTINGS, HINGES & LATCHES p. 195

BRAIDED HINGES p. 196

Z	Butt hinge	p. 196
Z5	Braided hinge	p. 198
Z55	Braided hinge with a spring	p. 199
ZMS	Lift-off hinge	p. 200
ZO	Decorative hinge	p. 201
ZF	French hinge	p. 202
ZOF	Decorative French hinge	p. 203
ZTS	Braided triangular hinge	p. 204
ZD	Ladder hinge	p. 205

GATE HINGES p. 25

ZT	Gate hinge	p. 206
ZB	Gate hinge	p. 207
ZBW	Gate hinge	p. 208
ZBL	Gate hinge	p. 209
ZBP	Strap gate hinge	p. 210
ZBO	Decorative gate hinge	p. 211
ZOB	Decorative gate hinge	p. 212
ZTO	Decorative tee hinge	p. 213
ZBNO	Decorative gate hinge	p. 214
ZOK	Decorative gate hinge	p. 214
ZBC	Self-closing gate hinge	p. 215
ZBS	Gate hinge	p. 215
ZNW	Corner hinge kit	p. 216

STRAP HINGES p. 217

ZR	T-type hinge	p. 217
ZN	Corner hinge	p. 217
ZNO	Corner hinge	p. 218
ZRO	T-type hinge	p. 219
ZP	Strap hinge	p. 220
ZPK	Cranked strap hinge	p. 222
C	Hinge pin	p. 224
UCO	Decorative hinge pin	p. 225
CM	Concrete-in hinge pin	p. 226
CW	Screw-in hinge pin	p. 226

ADJUSTABLE HINGES p. 227

ZRDP	Adjustable hinge with plate	p. 227
ZRM	Concrete-in adjustable hinge	p. 227
ZRS	Weldable, adjustable hinge	p. 228
ZRW 16	Multi adjustable hinge	p. 229
ZRW 20	Multi adjustable hinge	p. 229

WELDING HINGES p. 230

ZTK	Weldable hinge with the ball	p. 230
ZASK	Weldable hinge	p. 230
ZMP	Weldable lift-off hinge	p. 231
ZMD	Lift-off hinge	p. 231
ZRB	Weldable, adjustable hinge	p. 232
ZMC	Construction hinge	p. 232

HASPS p. 233

ZZBR	Chest hinge with lock	p. 233
ZZB	Strap gate hinge with lock	p. 233
ZZK	Hinge with lock	p. 234
ZZP	Hinge with lock	p. 235
ZBZ	Decorative gate hinge with lock	p. 236
ZOZ	Decorative hinge with lock	p. 237
ZWD	Hasp with staple made of rolled wire	p. 238
ZWK	Security closing hasp	p. 238
ZWP	Security closing hasp	p. 239
ZWPO	Security closing hasp	p. 239

LATCHES p. 240

W	Door bolt	p. 240
WZTW	Box bolt	p. 241
WZP	Closing door bolt	p. 242
WZW	Closing door bolt	p. 243
WRO	Decorative tower bolt	p. 244
WZD	Latch with a flat bolt	p. 245
WOS	Decorative tower bolt	p. 246
WPS	Decorative latch with a flat bolt	p. 247
WOK	Gate latch	p. 248
WHS	Door lock with numeric code (set)	p. 249
WZF	Furniture latch (set)	p. 249

GATE LATCHES p. 250

WCW	Heavy decorative latch	p. 250
WCZ	Heavy duty tower bolt	p. 251
WZK	Gate latch INOX	p. 252
WHK	Closure – key lock	p. 252
WHG	Self-locking latch	p. 254
WOG	Garden latch	p. 255
WOGO	Garden latch	p. 255
WZO	Latch	p. 256
WBR	Gate latch	p. 256
WHF	Spring for closing the gate (set)	p. 257
WHD	Garden door closer (set)	p. 257

BOLTS p. 258

WRG	Tower bolt	p. 258
WOT	Gate bolt	p. 258
WSP	Pull spring bolt with wooden grip	p. 259
WRU	Tower drop bolt	p. 260
WRB	Tower drop bolt	p. 260
WRZ	Tower drop bolt	p. 261

HOOKS p. 262

ZHK	Hook lock	p. 262
ZHP	Hook lock	p. 263
ZSK	Chest lock	p. 264
SP	Hasp	p. 264

GATE STOPPERS p. 266

ST	Gate bracket	p. 266
SBR	Gate bolt	p. 266
SBK	Gate wheel	p. 267
SBO	Screw-in gate stopper	p. 268
SB 90	In-concrete gate stopper	p. 268
SB 160	Screw-in gate stopper	p. 269

HANDLES ■ DOOR HANDLES ■ DOOR LOCKS p. 270

UF	Flag holder	p. 270
US	Box handle	p. 270
UN	Universal handle	p. 271
UNB	Handle	p. 271
UNR	Handle	p. 272
UZD	Decorative handle	p. 272
UZR	Decorative handle	p. 273
WHA	Handle with a hole (set)	p. 274
WHB	Handle without a hole (set)	p. 274
WHU	Ratchet lock (set)	p. 276
WHUP	Mortise lock case	p. 276
WHZ	Ratchet lock (set)	p. 277
WHO	Ratchet lock	p. 278
WHW	Rural door lock (set)	p. 278

HARDENED SCREWS, BOLTS, NAILS p. 281

CERTIFICATION AND QUALITY CONTROL p. 282

HARDENED SCREWS p. 284

CS	Construction screw with flat head	p. 284
PTS	Turned conical washer	p. 289
CT	Construction screw with wafer head	p. 290
CPS	Full threaded screw with flat head	p. 294
CPW	Full threaded screw with cylindrical head	p. 296
WKT	Double threaded insulation screw with wafer head	p. 298
SW	Screwdriving template angle 45°/67°	p. 298
WKW	Double threaded insulation screw with cylindrical head	p. 300
WDS	Distance screw with flat head	p. 302
GS	Aerated concrete screw with flat head	p. 304
GT	Aerated concrete screw with wafer head	p. 306
CBW	Frame screw with cylindrical head	p. 308
CBS	Frame screw with flat head	p. 309

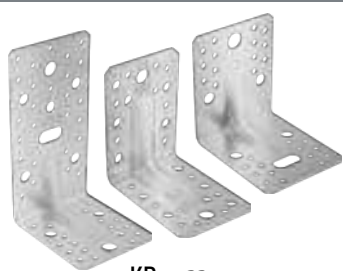
SCREWS ■ ANCHORS ■ NAILS p. 310

PBW	Concrete screw with hex head	p. 310
PBK	Bolt anchor	p. 312
ANG	ANCHOR carpentry nail	p. 314

CONNECTORS for GARDEN ARCHITECTURE p. 316

CTO	Garden architecture screw	p. 316
ANW	ANCHOR carpentry screw Torx socket	p. 317
PWD	Wood screw	p. 318
PNP	Threaded rod with nuts for post support	p. 319
ZACB	Carriage bolt	p. 320
ZAS	Wood screw	p. 321
SDCS	Wood screw	p. 322
BIT	TORX bit	p. 323

ANGLE BRACKETS



KP p. 33



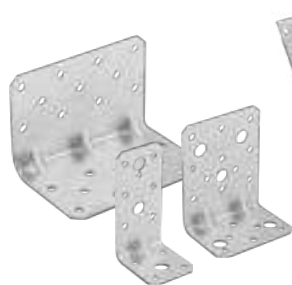
KPS p. 36



KPL p. 37



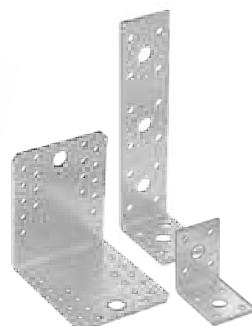
LBS p. 38



KPK p. 40



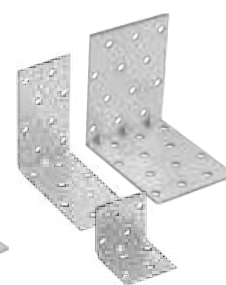
KLR p. 41



KL p. 42



KM p. 44



KMP p. 46



KK p. 48



LBZ p. 50



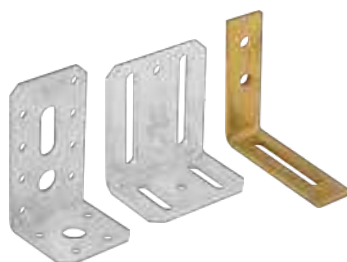
KMR p. 53



KMRP p. 53



KRD p. 54



KR p. 55



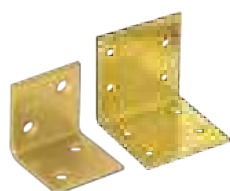
KW p. 56



FKW p. 58



KB p. 59



KS p. 60



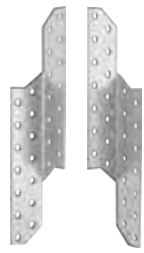
KSO p. 60



KSZ p. 61



FKS p. 61



LK p. 62



LZ p. 63

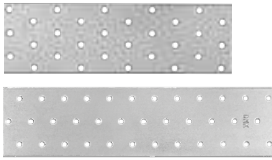


KG p. 64

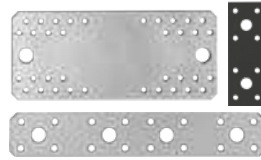


OSK p. 65

FLAT CONNECTORS



PP p. 66



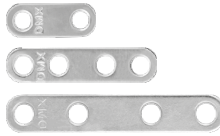
LP p. 68



TM p. 70



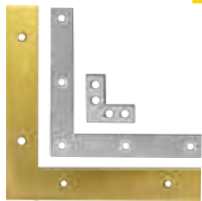
LG p. 72



FLW p. 73



LW p. 74



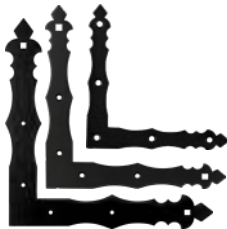
NA p. 76



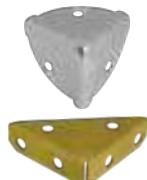
NAO p. 77



NAS p. 78



NAD p. 79



NS p. 80



KT p. 82



FKT p. 83

JOIST HANGERS



WB p. 83



WBZ p. 88



WBD p. 90



WL p. 91



SK p. 92



PD p. 93



KLM p. 94

SPECIAL WOOD CONNECTORS



LBO p. 95

GROUND-IN POST SUPPORTS



PSG p. 99



PSGR p. 100



PWU p. 101



PWG p. 102



PWOM p. 104



PWO p. 106



PWH p. 107



KR p. 107



PWM p. 108



PWB p. 109



PWF p. 110



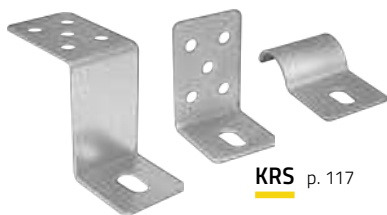
PWC p. 111



PWT p. 116



PWTU p. 117



KRS p. 117



KWZ p. 118



PWP p. 118



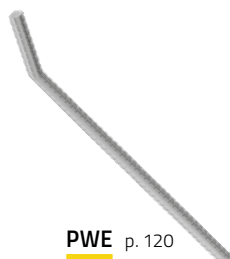
PWA p. 119



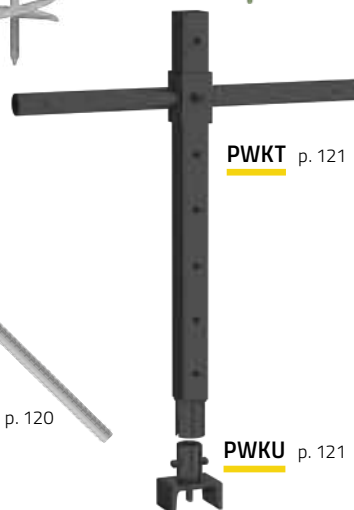
CTG p. 119



PWPP p. 120



PWE p. 120



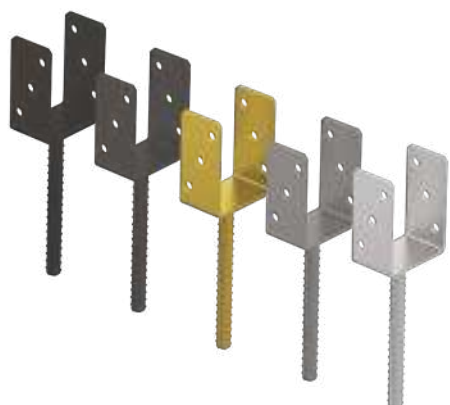
PWKT p. 121

PWKU p. 121



WD p. 121

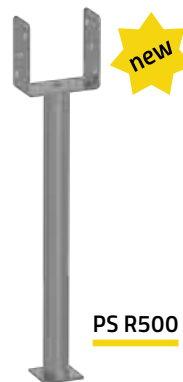
CONCRETE-IN POST SUPPORTS



PS p. 125



PS 500 p. 128



PS R500 p. 129



PSZ p. 130



PSL p. 131



PSS p. 132



PSS R500 p. 133



PSSZ p. 134



PSF p. 134



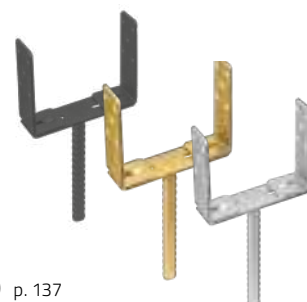
PSH p. 135



PSW p. 136



PSW R500 p. 137



PSRU p. 138



PSRU 500 p. 139



PSRU R500 p. 139



PPS p. 140

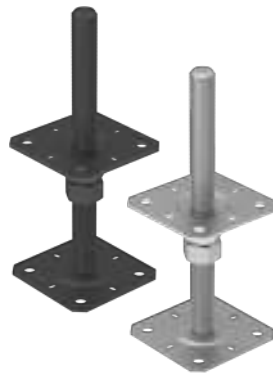


PPSR p. 141

SCREW-IN POST SUPPORTS



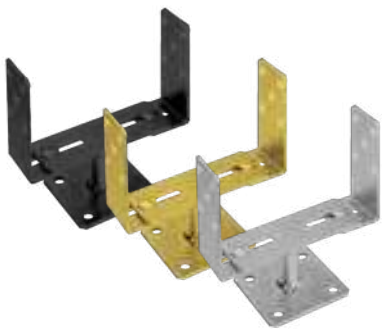
PR p. 142



PSR p. 144



PSRP p. 146



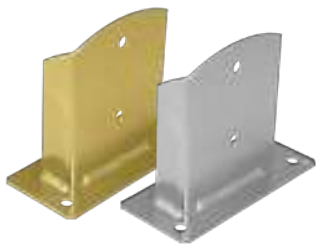
PSRT p. 147



PSP p. 148



PSPD p. 150



PSD p. 152



PSP DX p. 154



PSPW p. 156



PSPA p. 162



PSPO p. 163



PSPOD p. 164



PDP p. 165

SCREW-IN POST SUPPORTS



PSPN p. 165



PUW p. 166



PMF p. 167



PMFU p. 168



PSO p. 169



PSOZ p. 170



PSSOZ p. 171



PSK p. 172



PST p. 173



PSOL p. 174



PSB p. 175



PSC p. 176

ELEMENTS for ASSEMBLING GARDEN ARCHITECTURE



DKK p. 177



OP p. 178



SEK p. 179



GPLN p. 180



GPLP p. 180



GPPS p. 181



SDD 85B p. 182



SDLPA p. 182



SDLPB 1 p. 182



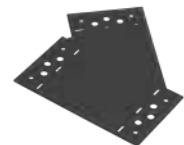
SDLZ 1 p. 183



SDLPC 1 p. 183



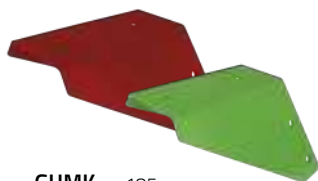
SDLPD 1 p. 183



SDLPE/F 1 p. 183



GHKO p. 184



GHMK p. 185



GHLS p. 185



GHSK p. 186



GHSO p. 186



GHVK p. 187



GHVO p. 187



GHZ p. 188



GHS p. 189



MHA p. 190



MHB p. 190



MHC p. 190



MHD p. 190



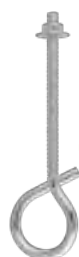
MHUM p. 191



MHK p. 191



MHO p. 191



MHM p. 192

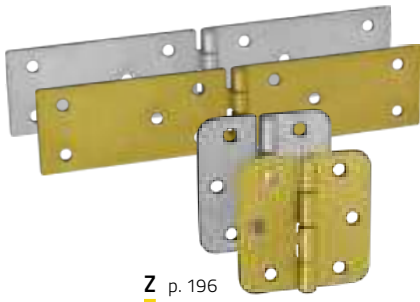


MHUW p. 192



MHW p. 192

BRAIDED HINGES



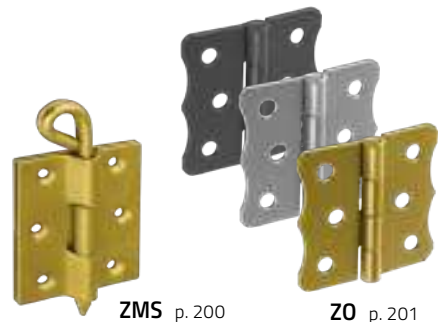
Z p. 196



ZS p. 198

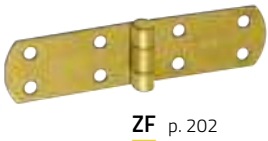


ZSS p. 199



ZMS p. 200

ZO p. 201



ZF p. 202



ZOF p. 203

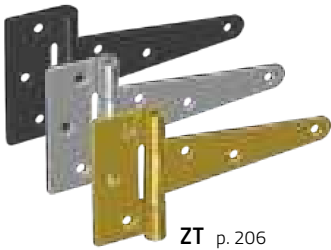


ZTS p. 204

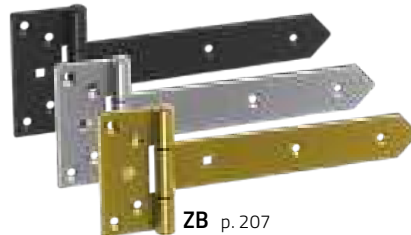


ZD p. 205

GATE HINGES



ZT p. 206



ZB p. 207



ZBW p. 208



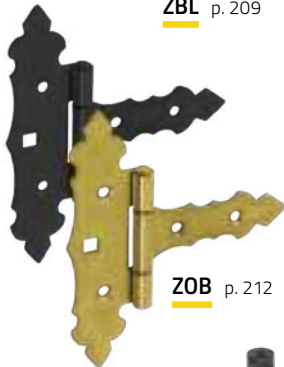
ZBL p. 209



ZBP p. 210



ZBO p. 211



ZOB p. 212



ZTO p. 213



ZBNO p. 214



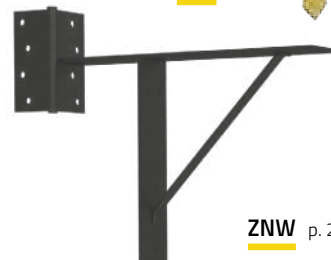
ZOK p. 214



ZBC p. 215

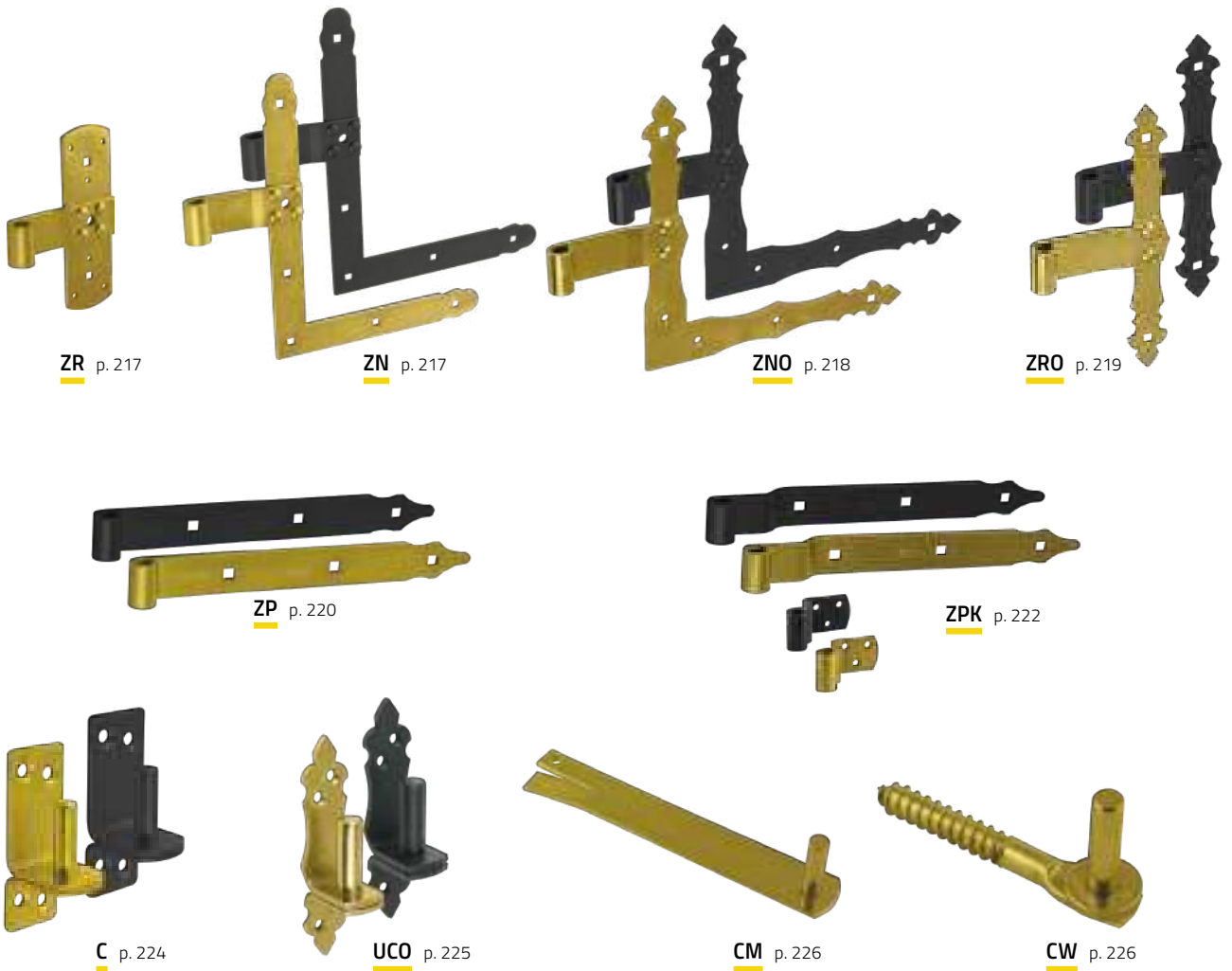


ZBS p. 215

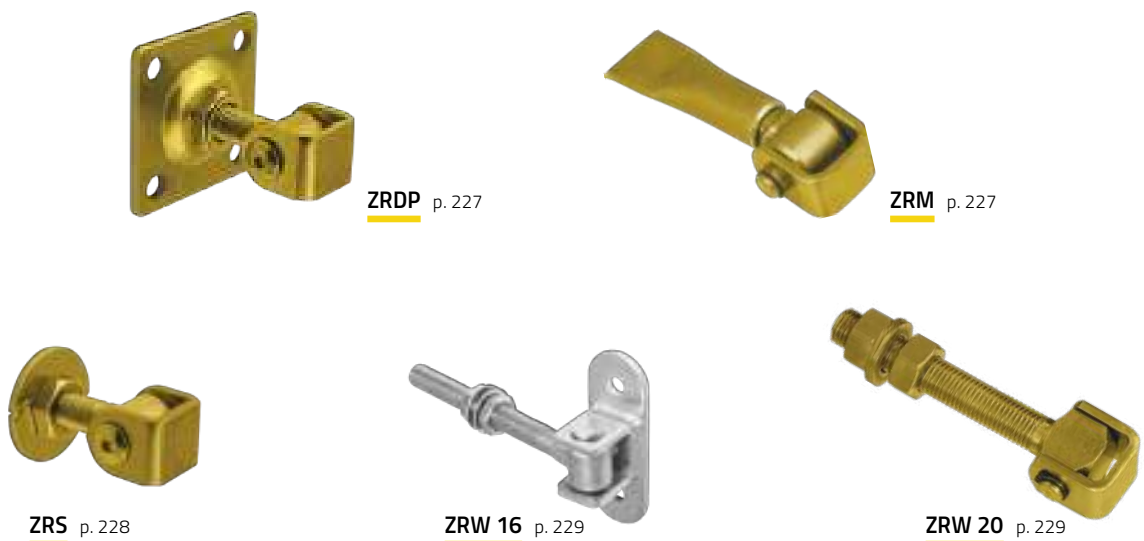


ZNW p. 216

STRAP HINGES



ADJUSTABLE HINGES



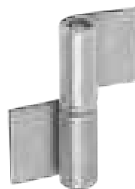
WELDING HINGES



ZTK p. 230



ZASK p. 230



ZMP p. 231



ZMD p. 231

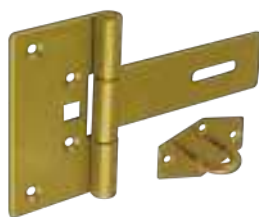


ZRB p. 232



ZMC p. 232

HASPS



ZZBR p. 233



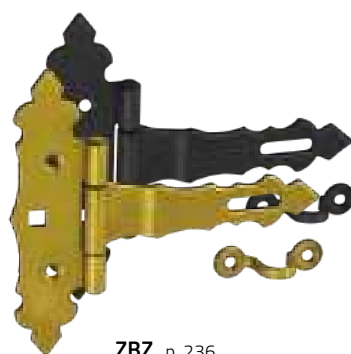
ZZB p. 233



ZZK p. 234



ZZP p. 235



ZBZ p. 236



Z0Z p. 237



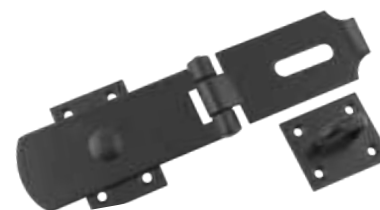
ZWD p. 238



ZWK p. 238

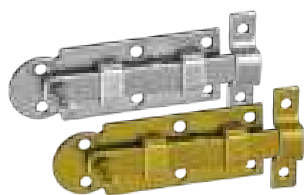


ZWP p. 239

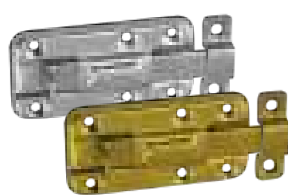


ZWPO p. 239

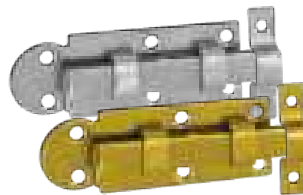
LATCHES



W p. 240



WZTW p. 241



WZP p. 242



WZW p. 243



WRO p. 244



WZD p. 245



WOS p. 246



WPS p. 247



WOK p. 248



WHS p. 249



WZF p. 249

GATE LATCHES



WCW p. 250



WCZ p. 251



WZK p. 252



WHK p. 252



WHG p. 254



WOG p. 255



WOGO p. 255



WZO p. 256



WBR p. 256



WHF p. 257



WHD p. 257

BOLTS



WRG p. 258



WOT p. 258



WSP p. 259



WRU p. 260



WRB p. 260



WRZ p. 261

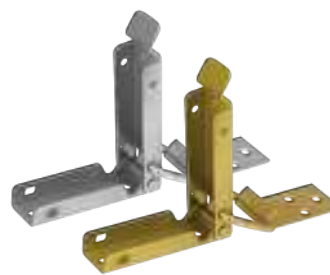
HOOKS



ZHK p. 262



ZHP p. 263



ZSK p. 264



SP p. 264

GATE STOPPERS



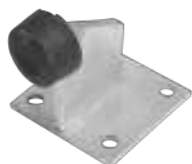
ST p. 266



SBR p. 266



SBK p. 267



SBO p. 268



SB 90 p. 268



SB 160 p. 269

HANDLES ■ DOOR HANDLES ■ DOOR LOCKS



UF p. 270



US p. 270



UN p. 271



UNB p. 271



UNR p. 272



UZD p. 272



UZR p. 273



WHA p. 274



WHB p. 274



WHU p. 276



WHUP p. 276



WHZ p. 277



WHO p. 278



WHW p. 278

HARDENED SCREWS

CS p. 284



CT p. 290



CPS p. 294



CPW p. 296



WKT p. 298



WKW p. 300



PTS p. 289



WDS p. 302



GS p. 304



GT p. 306

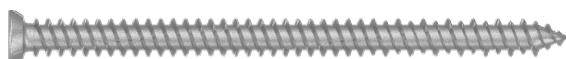


SW p. 329

CBW p. 308



CBS p. 309



BIT p. 323



SCREWS ■ KNCHORS ■ NAILS

PBW p. 310



PBK p. 312



ANG p. 314

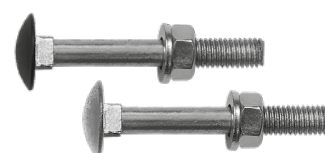


CONNECTORS for GARDEN ARCHITECTURE

CTO p. 316



ZACB p. 320



ANW p. 317



ZAS p. 321



PWD p. 318



SDCS p. 322



PNP p. 319

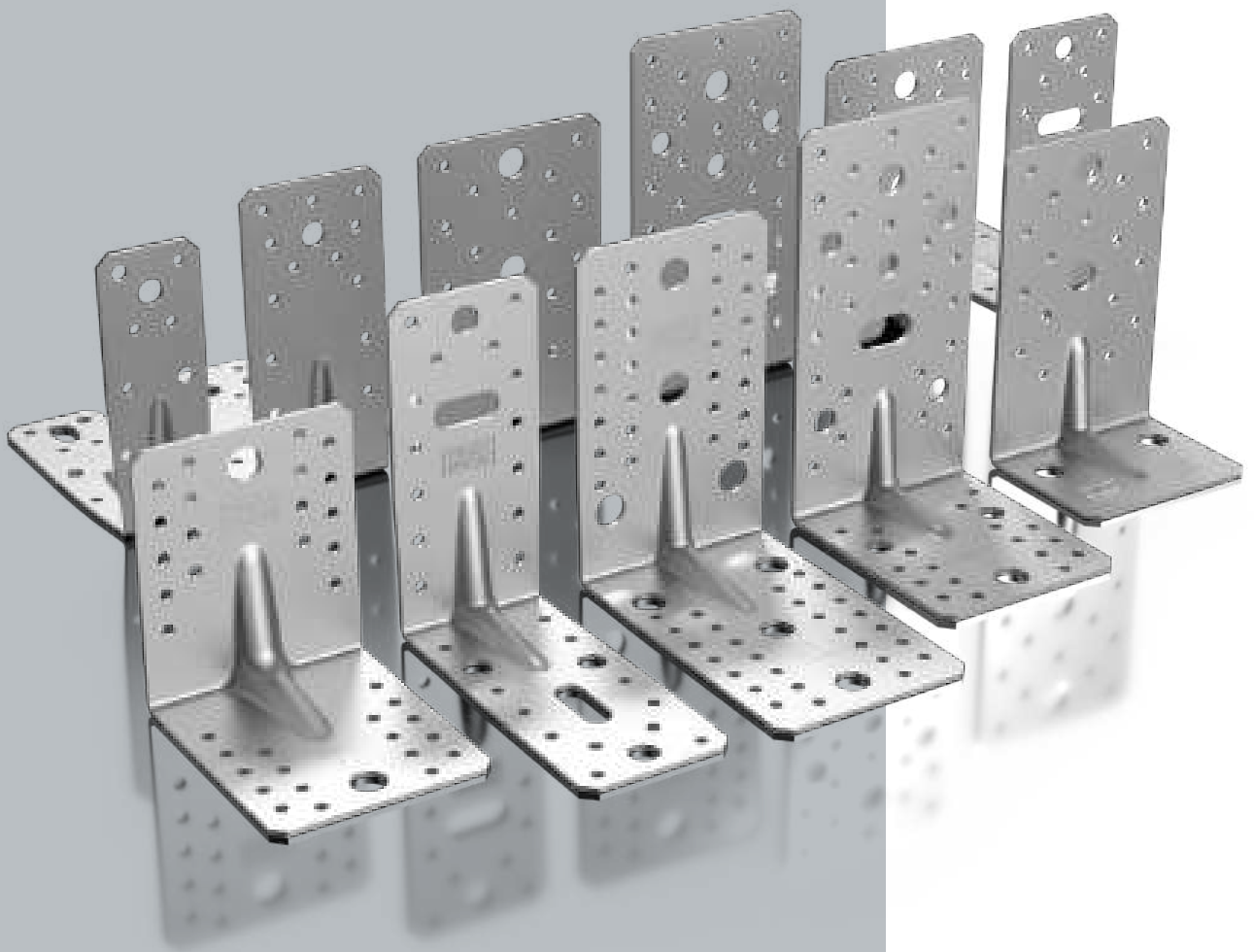


ANG	p.314	KPK	p.40	PP	p.66
ANW	p.317	KPL	p.37	PPS	p.140
BIT	p.323	KPS	p.36	PPSR	p.141
C	p.224	KR	p.55	PR	p.142
CBS	p.309	KR 8	p.107	PS	p.33
CBW	p.308	KRD	p.54	PS 500	p.128
CM	p.226	KRS	p.117	PSB	p.175
CPS	p.294	KS	p.60	PSC	p.176
CPW	p.296	KSO	p.60	PSD	p.152
CS	p.284	KSZ	p.61	PSF	p.134
CT	p.290	KT	p.82	PSG	p.99
CTG	p.119	KW	p.56	PSGR	p.100
CTO	p.316	KWZ	p.118	PSH	p.135
CW	p.226	LBO	p.95	PSK	p.172
DK	p.177	LBS	p.38	PSL	p.131
DKK	p.177	LBZ	p.50	PSO	p.169
FKS	p.61	LG	p.72	PSOL	p.174
FKT	p.83	LK	p.62	PSOZ	p.170
FKW	p.58	LP	p.68	PSP	p.148
FLW	p.73	LW	p.74	PSPA	p.162
GHKO	p.184	LZ	p.63	PSP DX	p.154
GHLS	p.185	MHA	p.190	PSPD	p.150
GHMK	p.185	MHB	p.190	PSPN	p.165
GHS	p.135	MHC	p.190	PSPO	p.163
GHSK	p.186	MHD	p.190	PSPOD	p.164
GHSO	p.186	MHK	p.191	PSPW	p.156
GHVK	p.187	MHM	p.192	PS R500	p.129
GHVO	p.187	MHO	p.191	PSR	p.144
GHZ	p.188	MHUM	p.191	PSRP	p.146
GPLN	p.180	MHUW	p.192	PSRT	p.147
GPLP	p.180	MHW	p.192	PSRU	p.138
GPPS	p.181	NA	p.76	PSRU 500	p.139
GS	p.304	NAD	p.79	PSRU R500	p.139
GT	p.306	NAO	p.77	PSS	p.132
KB	p.59	NAS	p.78	PSSOZ	p.171
KG	p.64	NS	p.80	PSS R500	p.133
KK	p.48	OP	p.178	PSSZ	p.134
KL	p.42	OSK	p.64	PST	p.173
KLM	p.94	PBK	p.312	PSW	p.136
KLR	p.41	PBW	p.310	PSW R500	p.137
KM	p.44	PD	p.93	PSZ	p.130
KMP	p.46	PDP	p.165	PTS	p.289
KMRP	p.53	PMF	p.167	PUW	p.166
KP	p.33	PMFU	p.168	PWA	p.119
KP	p.33	PNP	p.319	PWB	p.109

PWC	p. 111	WDS	p. 302	ZBS	p. 215
PWD	p. 318	WHA	p. 274	ZBW	p. 208
PWE	p. 120	WHB	p. 274	ZBZ	p. 236
PWF	p. 110	WHD	p. 257	ZD	p. 205
PWG	p. 102	WHF	p. 257	ZF	p. 202
PWH	p. 107	WHG	p. 254	ZHK	p. 262
PWKT	p. 121	WHK	p. 252	ZHP	p. 263
PWKU	p. 121	WHO	p. 278	ZMC	p. 232
PWM	p. 108	WHS	p. 249	ZMD	p. 231
PWO	p. 106	WHU	p. 276	ZMP	p. 231
PWOM	p. 104	WHUP	p. 276	ZMS	p. 200
PWP	p. 118	WHW	p. 278	ZN	p. 217
PWPP	p. 120	WHZ	p. 277	ZNO	p. 218
PWT	p. 116	WKT	p. 298	ZNW	p. 216
PWTU	p. 117	WKW	p. 300	ZO	p. 201
PWU	p. 101	WL	p. 91	ZOB	p. 212
SB 90	p. 268	WOG	p. 255	ZOF	p. 203
SB 160	p. 269	WOGO	p. 255	ZOK	p. 214
SBK	p. 267	WOK	p. 248	ZOZ	p. 237
SBO	p. 268	WOS	p. 246	ZP	p. 220
SBR	p. 266	WOT	p. 258	ZPK	p. 222
SD	p. 182	WPS	p. 247	ZR	p. 217
SDCS	p. 322	WRB	p. 260	ZRB	p. 232
SEK	p. 179	WRG	p. 258	ZRDP	p. 227
SK	p. 92	WRO	p. 244	ZRM	p. 227
SP	p. 264	WRU	p. 260	ZRO	p. 219
ST	p. 266	WRZ	p. 260	ZRS	p. 228
SW	p. 299	WSP	p. 259	ZRW 16	p. 229
TM	p. 70	WZD	p. 245	ZRW 20	p. 229
UCO	p. 225	WZF	p. 249	ZS	p. 198
UF	p. 270	WZK	p. 252	ZSK	p. 264
UN	p. 271	WZO	p. 256	ZSS	p. 199
UNB	p. 271	WZP	p. 242	ZT	p. 206
UNR	p. 272	WZTW	p. 241	ZTK	p. 230
US	p. 270	WZW	p. 243	ZTO	p. 213
UZD	p. 272	Z	p. 196	ZTS	p. 204
UZR	p. 273	ZACB	p. 320	ZWD	p. 238
W	p. 240	ZAS	p. 321	ZWK	p. 238
WB	p. 84	ZASK	p. 230	ZWP	p. 239
WBD	p. 90	ZB	p. 207	ZWPO	p. 239
WBR	p. 256	ZBC	p. 215	ZZB	p. 233
WBZ	p. 88	ZBL	p. 209	ZZBR	p. 233
WCW	p. 250	ZBNO	p. 214	ZZK	p. 234
WCZ	p. 251	ZBO	p. 211	ZZP	p. 235
WD	p. 121	ZBP	p. 210		

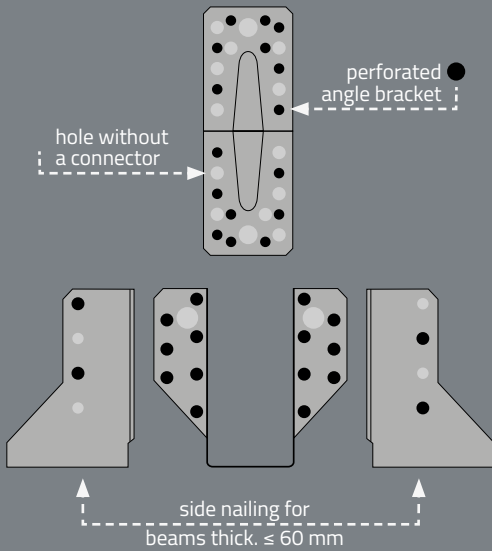


domax[■]



WOOD
CONNECTORS

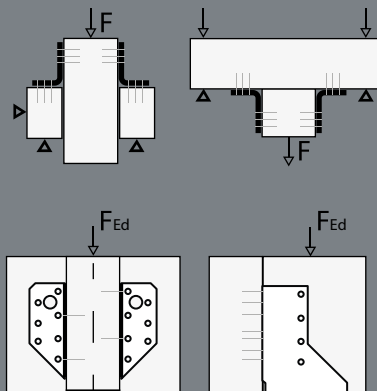
NAILING SCHEMES



One of the **Eurocode** standards defining the parameters of construction joints is the maintenance of the minimum spacing and distances between fasteners (e.g. nails). As the holes in our connectors are often more densely spaced than the spacing specified in the standard, the maximum number of nails to be used in the joint may be smaller than the number of holes in the connector. This leaves the users some freedom in terms of installation. The tables in the catalog contain **the most advantageous** nailing schemes, thanks to which **the highest loading capacity** of the connection can be obtained.

In the case of **joist hangers**, the side nails (securing the secondary beam to the hanger) do not have a bearing function in the joint. Their main task is to evenly distribute the load over the entire height of the secondary beam section. The arrangement of side nails should be used in full or staggered arrangement, depending on the thickness of the secondary beam. Full nailing is optimal for beams with a thickness greater than 60 mm. On the other hand, side nailing for beams with a thickness of ≤ 60 mm for beams with a thickness less than or equal to 60 mm, alternate nailing should be used.

LOADING CAPACITY SCHEMES



In accordance with the recommendations of **EAD 130186-00-0603**, the tests performed should reflect the behavior of the joint in practical application. Due to the large variety of product types, we have developed (based on EAD) various load patterns simulating the behavior of a given joint in practice. For the preparation of the test load diagrams, we chose connections that allow the verification of the behavior of the connectors **in the optimal and most representative application** of a given product.

The most common connection using **joist hangers** is the perpendicular connection of two wooden beams. In this catalog, we present technical parameters based on the results obtained from testing this type of connection.

Application Angle brackets with reinforcement are characterized by a very high bending strength. They have a wide range of well-thought-out nailing scheme, thanks to which they can be used both in standard solutions and selected for individually designed joints.

Material DX51D + Z275; DX51D + Z275 + black powder coating.
Mounting ANCHOR nails $\phi 4$; ANW – ANCHOR screws $\phi 5$ Torx20 socket; wood screws $\phi 6, \phi 10$; bolts M10, M12; concrete anchors M10, M12.

KP

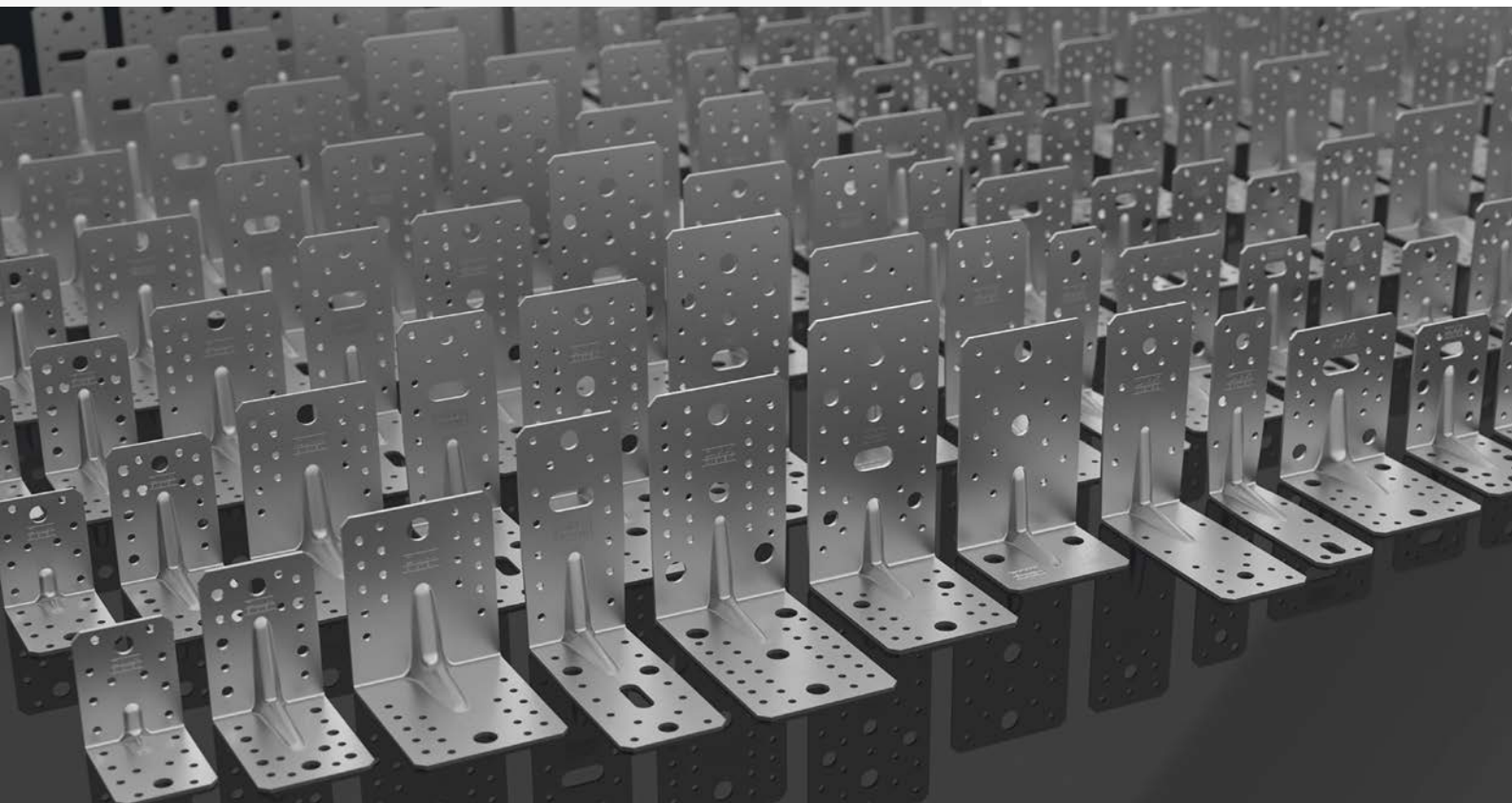
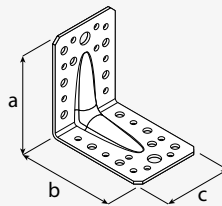
Angle bracket
with reinforcement



name	coat.	art no.	dimensions [mm]				holes [mm]					weight [g]	pack [pcs]
			a	b	c	≠	$\phi 5$	$\phi 7$	$\phi 11$	$\phi 14$	\square		
KP 1	●	4021	90	90	65	2,5	16	12	2	–	–	208	20
KP 1	■	402102	90	90	65	2,5	16	12	2	–	–	208	10
KP 2	●	4022	105	105	90	2,5	36	–	–	2	–	345	20
KP 2	●	40223	105	105	90	3,0	36	–	–	2	–	412	20
KP 3	●	4023	90	50	55	2,5	20	–	2	–	–	134	20
KP 4	●	4024	70	70	55	2,5	20	–	2	–	–	139	20
KP 5	●	4025	140	140	65	2,5	26	–	2	–	–	344	10
KP 5	■	402502	140	140	65	2,5	26	–	3	–	–	344	10
KP 6	●	4026	172	105	90	3,0	44	–	7	2	$\phi 14 \times 14$	517	10
KP 7	●	4027	145	145	90	2,5	56	–	–	8	–	450	10
KP 8	●	4028	145	70	90	2,5	17	–	–	4	–	342	10
KP 9	●	4029	128,5	128,5	45	2,5	12	4	1	–	$\phi 11 \times 9$	213	20
KP 11	●	40211	90	90	65	2,5	13	9	5	–	$\phi 11 \times 11$	206	20
KP 21	●	40221	105	105	90	2,5	28	–	4	1	$\phi 14 \times 14$	337	20

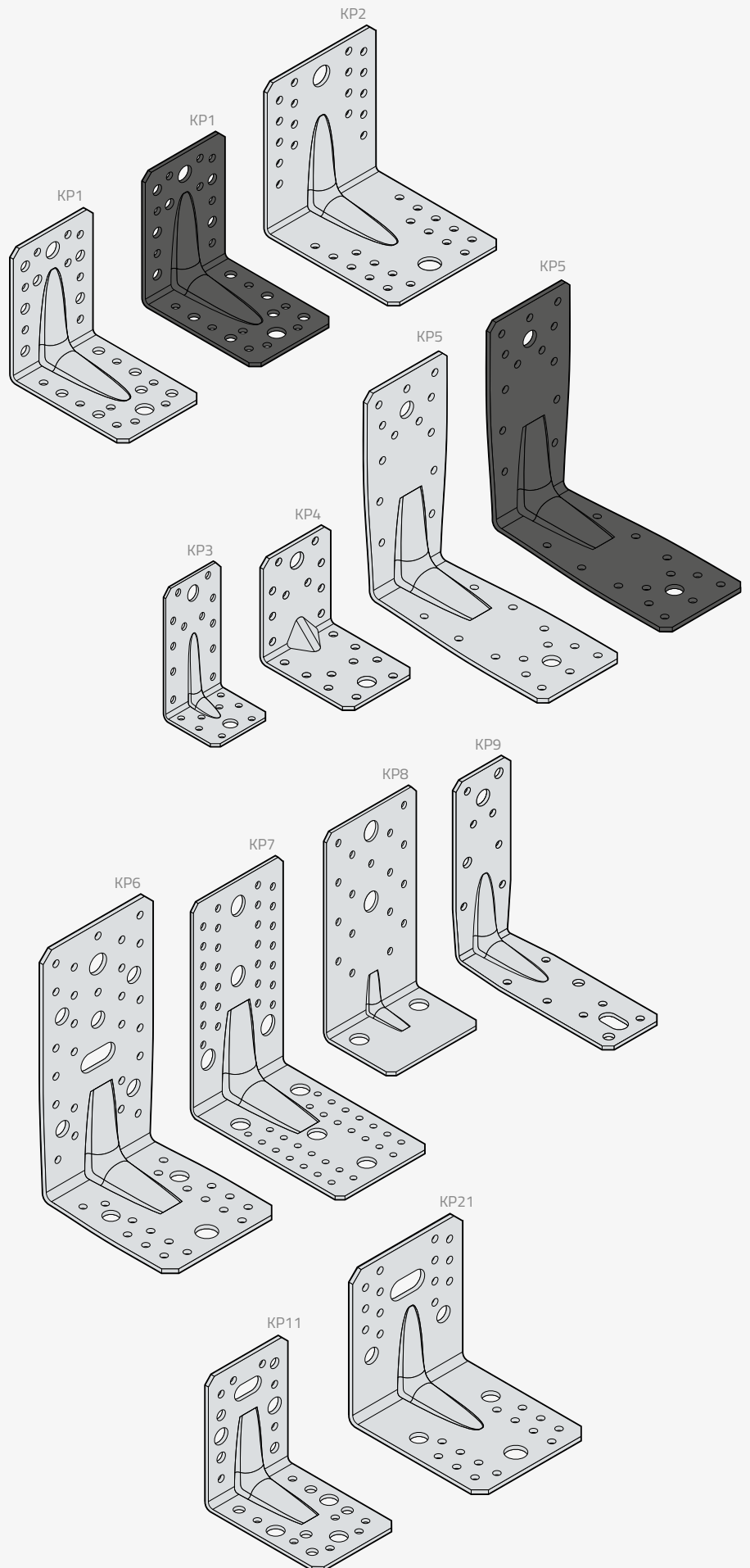
coating:

- DX51D + Z275MAC
- Duplex black



KP

Angle bracket
with reinforcement



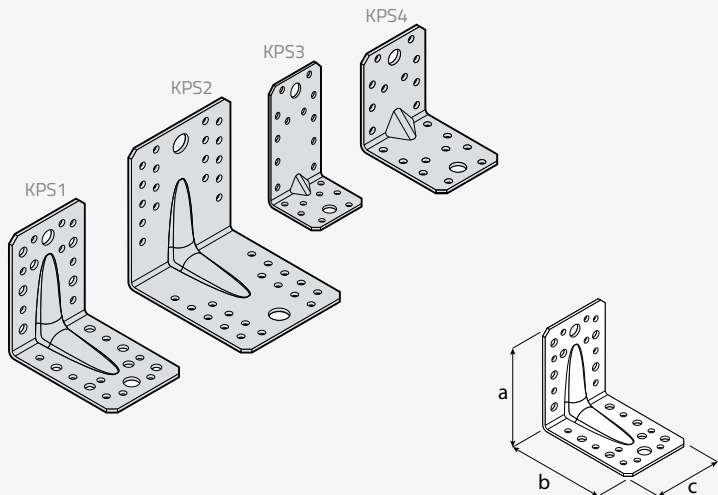
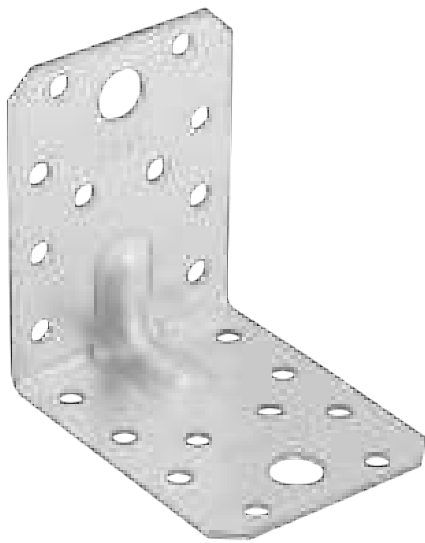


Loading capacity scheme	Nailing scheme											
Connector	KP 1	KP 2	KP 2 (3mm)	KP 3	KP 4	KP 5	KP 6	KP 7	KP 8	KP 9	KP 11	KP 21
Loading type	pressure	pressure	pressure	pressure	pressure	pressure	pressure	pressure	pressure	pressure	pressure	pressure
Wood moisture [%]	12,5	12,7	12,3	12,9	12,7	12,9	12,8	16,9	23	12,2	12,6	12,6
Density $\rho_{\text{mean}, 12\%}$ [kg/m ³]	413	404	435	403	414	424	407	428,2	411,7	440	405	403
$P_{\text{max,mean}} (350 \text{ kg/m}^3)$ [kN]	32,6	40,5	42,9**	29,5	23,7	35,7	43,3	18,34	20,62	21,6	28,5	38,3
$P_{\text{max,k}} (350 \text{ kg/m}^3)$ [kN]	27,2	35,2	–	23,1	19,6	25,7	34,6	12,5	12,9	18,2	23,1	31
Fasteners per connection	2*	2*	2*	2*	2*	2*	2*	2*	2*	2*	2*	2*
Determination method	tests	tests	tests	tests	tests	tests	tests	tests	tests	tests	tests	tests
Certificate	ETA 22/0631	ETA 22/0631	ETA 15/0725	ETA 22/0631	ETA 22/0631	ETA 22/0631	ETA 22/0631	ETA 14/0425	ETA 14/0425	ETA 15/0725	ETA 22/0631	ETA 22/0631

* Forces are given for a complete joint with two connectors, so the force per connector (one angle) is half of the value listed.
 ** Test performed in the DOMAX laboratory.

KPS

Angle bracket with reinforcement



Application

Angle brackets with reinforcement are characterized by a very high bending strength. They have a wide range of well-thought-out nailing scheme, thanks to which they can be used both in standard solutions and selected for individually designed connections.

Material

DX51D + Z275.

Mounting

ANCHOR nails $\phi 4$; ANW – ANCHOR screws $\phi 5$ Torx20 socket; wood screws $\phi 6, \phi 10$; bolts M10, M12; concrete anchors M10, M12.

name	coat.	art no.	dimensions [mm]				holes [mm]				weight [g]	packaging [pcs]
			a	b	c	\neq	$\phi 5$	$\phi 7$	$\phi 11$	$\phi 14$		
KPS 1	●	40212	90	90	65	1,5	16	12	2	–	119	20
KPS 2	●	40222	105	105	90	1,5	36	–	–	2	207	20
KPS 3	●	40232	90	50	55	1,5	20	–	2	–	83	20
KPS 4	●	40242	70	70	55	1,5	20	–	2	–	82	20

coating:

- DX51D + Z275MAC

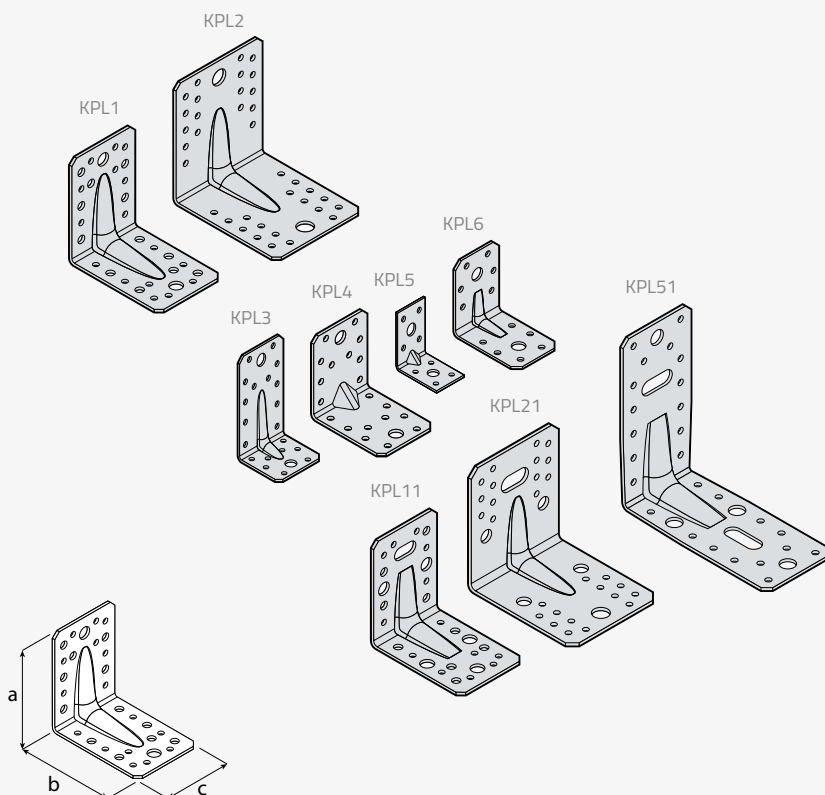


Loading capacity scheme	Nailing scheme			
Connector	KPS 1	KPS 2	KPS 3	KPS 4
Loading type	pressure	pressure	pressure	pressure
Wood moisture [%]	17,1	16,3	15,6	16
Density $\rho_{mean, 12\%}$ [kg/m ³]	411	429	391	406
$P_{max,mean}$ (350 kg/m ³) [kN]	–	–	–	–
$P_{max,k}$ (350 kg/m ³) [kN]	16,3	18,7	12,6	11,6
Fasteners per connection	2*	2*	2*	2*
Determination method	calculations	calculations	calculations	calculations
Certificate	ETA 14/0425	ETA 14/0425	ETA 14/0425	ETA 14/0425

* Forces are given for a complete joint with two connectors, so the force per connector (one angle) is half of the value listed.

KPL

Angle bracket
with reinforcement



name	coat.	art no.	dimensions [mm]				holes [mm]						weight [g]	pack [pcs]	
			a	b	c	#	ø5	ø7	ø11	ø12	ø14	□			
KPL 1	●	4051	90	90	65	2	16	12	2	-	-	-	-	166	20
KPL 2	●	4052	105	105	90	2	36	-	-	2	-	-	-	276	20
KPL 3	●	4053	90	50	55	2	20	-	2	-	-	-	-	108	20
KPL 4	●	4054	70	70	55	2	20	-	2	-	-	-	-	109	20
KPL 5	●	4055	50	50	35	2	8	-	2	-	-	-	-	49	20
KPL 6	●	4056	60	60	45	2	12	-	2	-	-	-	-	76	20
KPL 11	●	40511	90	90	65	2	13	-	5	-	-	-	-	160	20
KPL 21	●	40521	105	105	90	2	28	-	4	-	1	ø11×11	-	269	20
KPL 51	●	40551	140	140	65	2	24	-	-	4	-	ø14×14	-	260	20

coating:

- DX51D + Z275MAC

Loading capacity scheme	Nailing scheme							
Connector	KPL 1	KPL 2	KPL 3	KPL 4	KPL 5	KPL 6	KPL 11	KPL 21
Loading type	pressure	pressure	pressure	pressure	pressure	pressure	pressure	pressure
Wood moisture [%]	12,7	12,5	12,7	12,8	15,2	12,9	14,9	15,6
Density $\rho_{mean, 12\%}$ [kg/m ³]	401	409	424	405	421,2	422,8	452,1	472,7
$P_{max, mean}$ (350 kg/m ³) [kN]	28,2	38,4	23,9	21,2	8,09	9,49	18,43	21,23
$P_{max, k}$ (350 kg/m ³) [kN]	22,3	28,4	20,5	18,5	6,8	6,2	13	17,1
Fasteners per connection	2*	2*	2*	2*	1**	1**	1**	1**
Determination method	tests	tests	tests	tests	tests	tests	tests	tests
Certificate	ETA 22/0631	ETA 22/0631	ETA 22/0631	ETA 22/0631	ETA 14/0425	ETA 14/0425	ETA 14/0425	ETA 14/0425

* Forces are given for a complete joint with two connectors, so the force per connector (one angle) is half of the value listed.
** Forces are for a complete connection including one coupler.



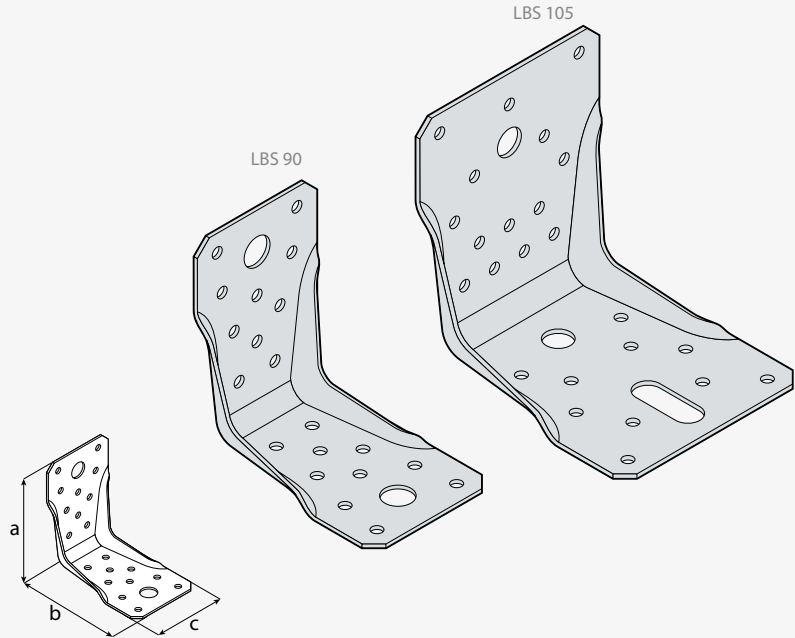
LBS

Angle bracket
double reinforced

Application Angle brackets with double ribs are characterized by very high bending strength. The hole pattern allows for connections in various combinations, such as wood-wood or wood-concrete.

Material DX51D + Z275.

Mounting ANCHOR nails ANCHOR $\phi 4$; ANW – ANCHOR screws $\phi 5$ socket Torx20; wood screws $\phi 10$; bolts M12; concrete anchors M12.



name	coat.	art no.	dimensions [mm]				holes [mm]				weight [g]	pack. [pcs]
			a	b	c	\neq	$\phi 5$	$\phi 12$	$\phi 13$	\square		
LBS 90	●	40302	90	90	60	1,5	20	-	2	-	130	10
LBS 105	●	40301	105	105	90	2,0	24	2	-	$\phi 12 \times 20$	280	10

coating:

● DX51D + Z275MAC





KPK

Angle bracket with reinforcement



Application

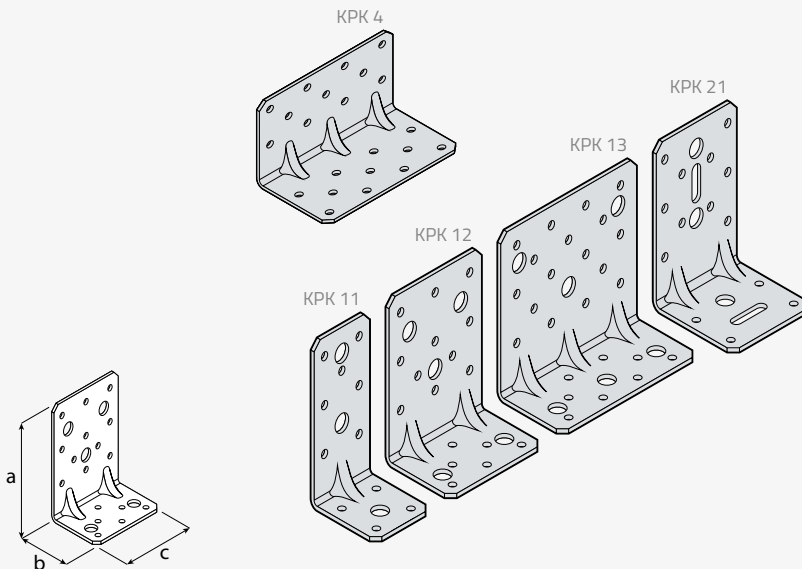
KPK angle brackets deviate from traditional punching systems in favor of adapting to the requirements of the Eurocode, in which one of the most important properties is to maintain the minimum spacing and distances between nails. They have a wide range of well-thought-out nailing scheme, thanks to which they can be used both in standard solutions and selected for individually designed joints.

Material

DX51D + Z275.

Mounting

ANCHOR nails $\phi 4$; ANW – ANCHOR screws $\phi 5$ Torx20 socket; wood screws $\phi 6$, $\phi 10$; bolts M6, M10; concrete anchors M6, M10.



name	coat.	art no.	dimensions [mm]				holes [mm]				weight [g]	packaging [pcs]
			a	b	c	≠	$\phi 5$	$\phi 11$	$\phi 7 \times 15$	$\phi 7 \times 20$		
KPK 4	●	4044	65	65	100	2,5	22	-	-	-	232	20
KPK 11	●	40411	95	53	45	2,5	11	3	-	-	112	20
KPK 12	●	40412	95	53	75	2,5	17	5	-	-	189	20
KPK 13	●	40413	95	53	110	2,5	25	6	-	-	281	20
KPK 21	●	40421	95	65	65	2,5	14	3	1	1	178	20

coating:
● DX51D + Z275MAC



	Nailing scheme					Load. capacity scheme
Connector	KPK 4	KPK 11	KPK 12	KPK 13	KPK 21	
Loading type	pressure	pressure	pressure	pressure	pressure	
Wood moisture [%]	14,3	17,7	14,3	13,4	12,3	
Density $\rho_{mean, 12\%}$ [kg/m ³]	416,8	460,8	460,9	398,2	468,5	
$P_{max, mean}$ (350 kg/m ³) [kN]	15,85	13	17,32	22,13	13,53	
$P_{max, k}$ (350 kg/m ³) [kN]	12,7	10,4	13,5	16,7	10,8	
Fasteners per connection	1**	1**	1**	1**	1**	
Determination method	tests	tests	tests	tests	tests	
Certificate	ETA 14/0425	ETA 14/0425	ETA 14/0425	ETA 14/0425	ETA 14/0425	

** Forces are for a complete connection including one coupler.

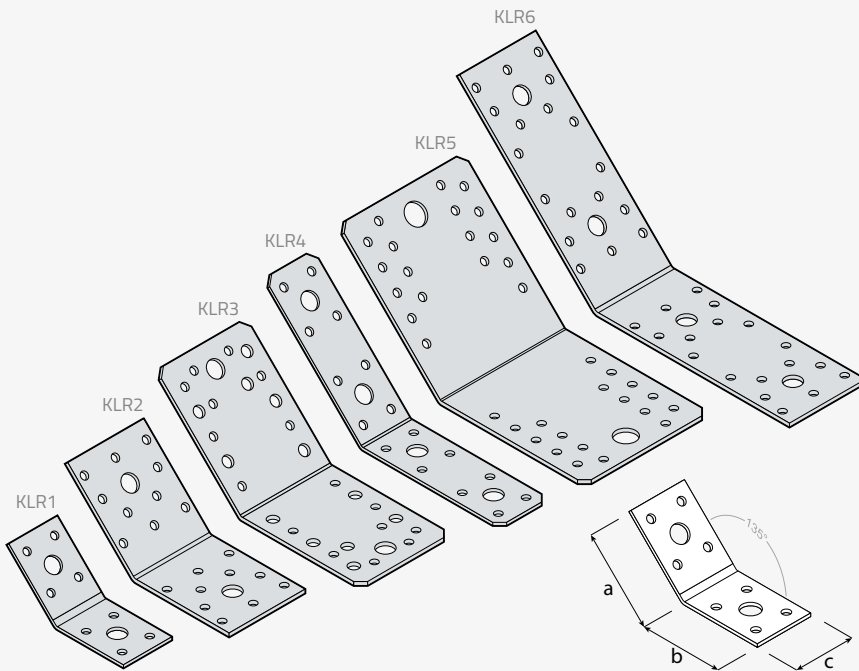
Application Angle brackets intended for joining wooden elements at an angle of 135°, making braces, swords or diagonal reinforcements of frame elements.

Material DX51D + Z275.

Mounting ANCHOR nails $\phi 4$; ANW – ANCHOR screws $\phi 5$ Torx20 socket; wood screws $\phi 6$, $\phi 10$; bolts M10, M12; concrete anchors M10, M12.

KLR

Angle bracket 135°



name	coat.	art no.	dimensions [mm]				holes [mm]				weight [g]	packaging [pcs]
			a	b	c	≠	$\phi 5$	$\phi 7$	$\phi 11$	$\phi 14$		
KLR 1	●	4081	50	50	35	2,5	8	–	2	–	62	20
KLR 2	●	4082	70	70	55	2,5	20	–	2	–	140	20
KLR 3	●	4083	90	90	65	2,5	16	12	2	–	211	20
KLR 4	●	4084	100	100	35	2,5	16	–	4	–	124	20
KLR 5	●	4085	105	105	90	2,5	36	–	–	2	347	20
KLR 6	●	4086	140	140	55	2,5	36	–	4	–	276	20

coating:
● DX51D + Z275MAC

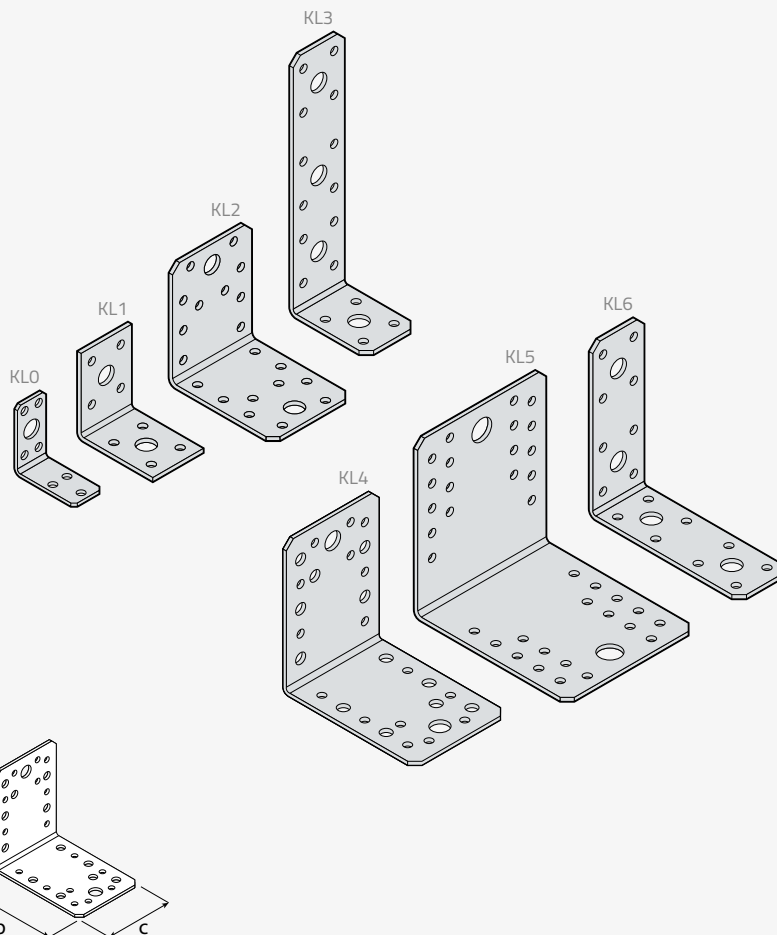
Loading capacity scheme	Nailing scheme					
Connector	KLR 1	KLR 2	KLR 3	KLR 4	KLR 5	KLR 6
Loading type	pressure	pressure	pressure	pressure	pressure	pressure
Wood moisture [%]	13,8	15,5	15,5	15,7	15,3	16
Density $\rho_{mean, 12\%}$ [kg/m ³]	422,2	429,7	407,1	468,1	410,8	497,6
$P_{max, mean}$ (350 kg/m ³) [kN]	5,71	10,95	10,59	6,35	15,41	9,98
$P_{max, k}$ (350 kg/m ³) [kN]	4,2	7,9	8,3	5,1	13,6	7,2
Fasteners per connection	1**	1**	1**	1**	1**	1**
Determination method	tests	tests	tests	tests	tests	tests
Certificate	ETA 14/0425	ETA 14/0425	ETA 14/0425	ETA 14/0425	ETA 14/0425	ETA 14/0425

** Forces are for a complete connection including one coupler.



KL

Angle bracket



Application

Basic angle brackets for joining wood with wood, concrete or steel. Various sizes of holes increase their versatility and allow mounting on many types of dowel connectors.

Material

DX51D + Z275.

Mounting

ANCHOR nails $\phi 4$; ANW – ANCHOR screws $\phi 5$ Torx20 socket; wood screws $\phi 6, \phi 10$; bolts M10, M12; concrete anchors M10, M12.

name	coat.	art no.	dimensions [mm]				holes [mm]				weight [g]	packaging [pcs]
			a	b	c	≠	$\phi 5$	$\phi 7$	$\phi 11$	$\phi 14$		
KL 0*	●	4070	40	40	20	2,0	7	–	1	–	21	20
KL 1	●	4071	50	50	35	2,5	8	–	2	–	62	20
KL 2	●	4072	70	70	55	2,5	20	–	2	–	138	20
KL 3	●	4073	150	50	35	2,5	16	–	4	–	124	20
KL 4	●	4074	90	90	65	2,5	16	12	2	–	208	20
KL 5	●	4075	105	105	90	2,5	36	–	–	2	349	20
KL 6	●	4076	102	102	35	2,5	16	–	4	–	122	20

* produced to order

coating:

- DX51D + Z275MAC



Loading capacity scheme	Nailing scheme						
Connector	KL 0	KL 1	KL 2	KL 3	KL 4	KL 5	KL 6
Loading type	pressure	pressure	pressure	pressure	pressure	pressure	pressure
Wood moisture [%]	12,7	12,7	12,8	12,7	13	12,9	11,9
Density $\rho_{\text{mean}, 12\%}$ [kg/m ³]	438	410	401	406	401	405	435
$P_{\text{max,mean}}$ (350 kg/m ³) [kN]	8,6	14	24,4	17,7	24,8	31,2	16,2
$P_{\text{max,k}}$ (350 kg/m ³) [kN]	7,4	11	20,2	15,2	21,9	27,6	13,6
Fasteners per connection	2*	2*	2*	2*	2*	2*	2*
Determination method	tests	tests	tests	tests	tests	tests	tests
Certificate	ETA 18/1165	ETA 22/0631	ETA 22/0631	ETA 22/0631	ETA 22/0631	ETA 22/0631	ETA 15/0725

* Forces are given for a complete joint with two connectors, so the force per connector (one angle) is half of the value listed.

KM

Perforated angle bracket



Application Standard angle brackets with universal perforation. The large number of holes placed in them allows the implementation of many simple and complex connections.

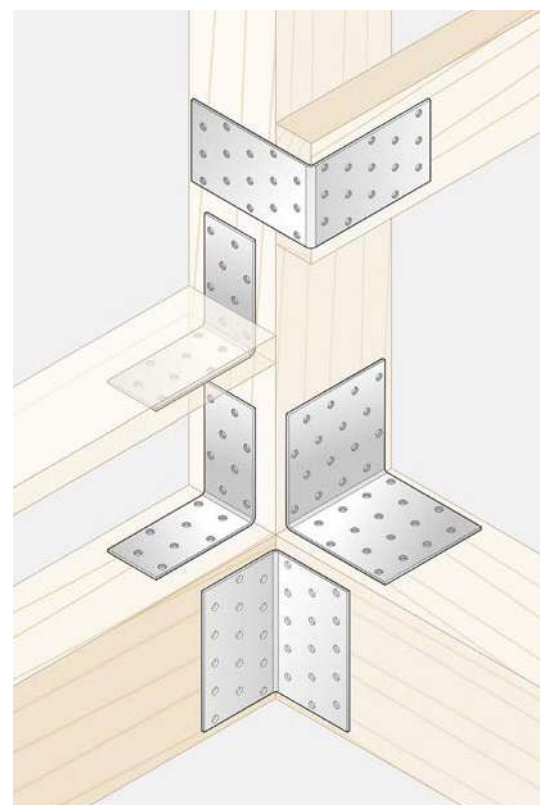
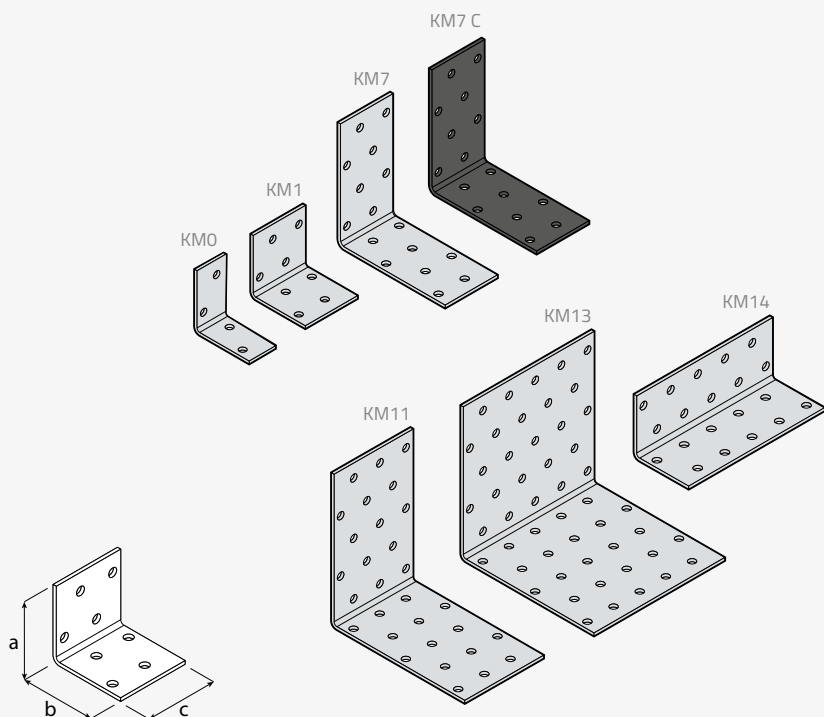
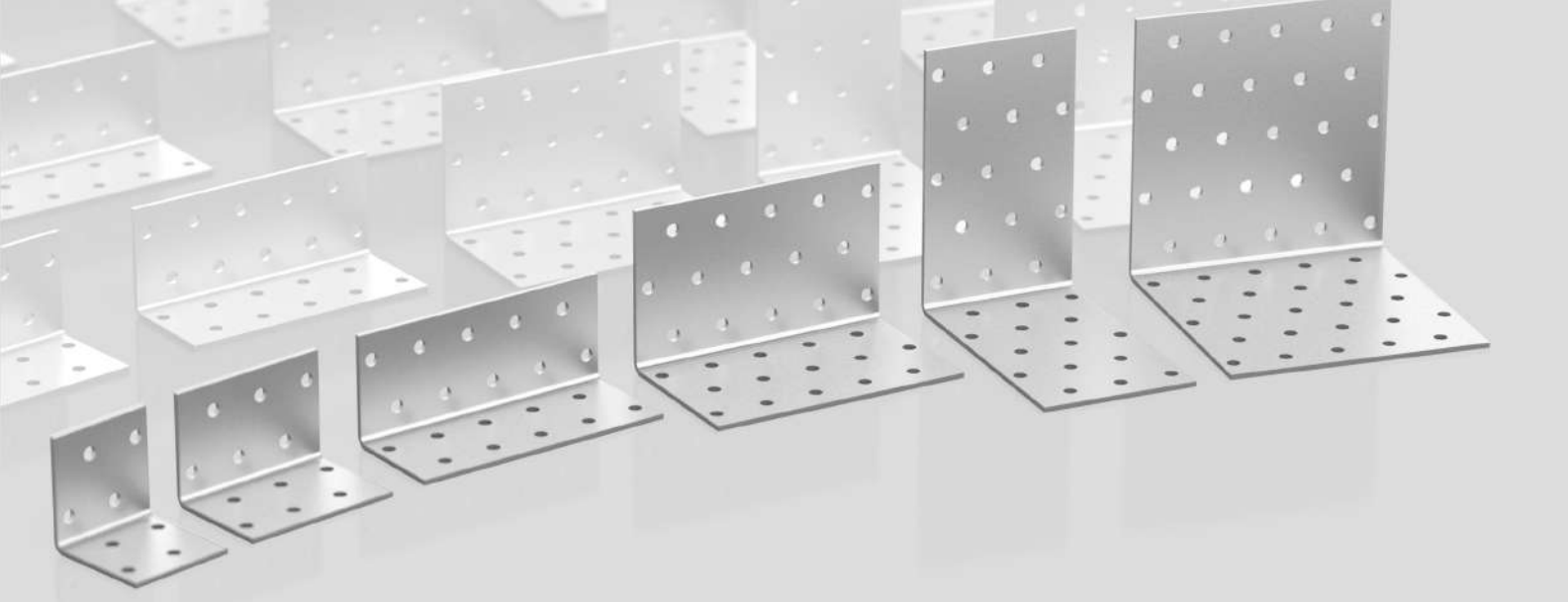
Material DX51D + Z275; Duplex: DX51D + Z275 + black powder coating.
Mounting ANCHOR nails $\phi 4$; ANW – ANCHOR screws $\phi 5$ Torx20 socket.

name	coat.	art no.	dimensions [mm]				holes [mm]		weight [g]	packaging [pcs]
			a	b	c	\neq	$\phi 5$			
KM 0	●	4100	40	40	20	2,0	4	24	50	
KM 1	●	4101	40	40	40	2,0	8	46	50	
KM 2	●	4102	40	40	60	2,0	12	72	50	
KM 3	●	4103	60	60	40	2,0	12	70	20	
KM 4	●	4104	60	60	60	2,0	18	106	20	
KM 5	●	4105	60	60	80	2,0	24	142	20	
KM 6	●	4106	60	60	100	2,0	30	179	20	
KM 7	●	4107	80	80	40	2,0	16	94	20	
KM 7 C	■	41072	80	80	40	2,0	16	94	20	
KM 8	●	4108	80	80	60	2,0	24	140	20	
KM 9	●	4109	80	80	80	2,0	32	187	20	
KM 10	●	4110	80	80	100	2,0	40	237	20	
KM 11	●	4111	100	100	60	2,0	30	177	20	
KM 12	●	4112	100	100	80	2,0	40	232	20	
KM 13	●	4113	100	100	100	2,0	50	294	20	
KM 14	●	4114	40	40	100	2,0	20	115	20	
KM 15	●	4115	40	40	200	2,0	40	239	20	
KM 16	●	4116	90	90	40	2,0	16	107	20	
KM 17	●	4117	50	50	40	2,0	8	51	20	
KM 18	●	4118	60	60	50	2,0	12	92	20	
KM 19	●	4119	120	90	40	3,0	18	191	20	
KM 20	●	4120	60	60	25	2,0	6	51	20	

coating:
 ● DX51D + Z275MAC
 ■ Duplex black

Loading capacity scheme	Nailing scheme						
Connector	KM 1	KM 2	KM 3	KM 4	KM 5	KM 6	KM 7
Loading type	pressure	pressure	pressure	pressure	pressure	pressure	pressure
Wood moisture [%]	–	–	12,8	–	–	12,7	–
Density $\rho_{mean, 12\%}$ [kg/m ³]	C24	C24	410	C24	C24	403	C24
$P_{max, mean}$ (350 kg/m ³) [kN]	–	–	16,1	–	–	31,6	–
$P_{max, k}$ (350 kg/m ³) [kN]	14	14	14	15,2	19,88	26,3	14,8
Fasteners per connection	2*	2*	2*	2*	2*	2*	2*
Determination method	calculations	tests	tests	calculations	calculations	tests	calculations
Certificate	ETA 22/0631	ETA 22/0631	ETA 22/0631	ETA 22/0631	ETA 22/0631	ETA 22/0631	ETA 22/0631

* Forces are given for a complete joint with two connectors, so the force per connector (one angle) is half of the value listed.



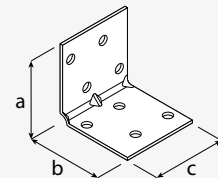
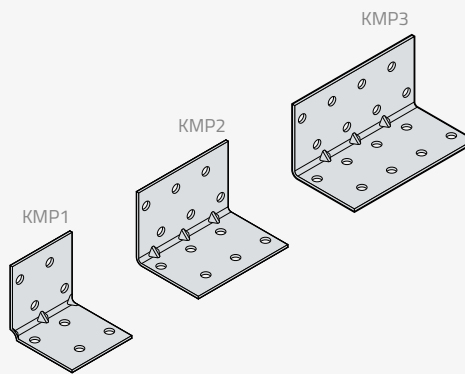
Nailing scheme

KM 8	KM 9	KM 10	KM 11	KM 12	KM 13	KM 14	KM 15	KM 16	KM 17	KM 18	KM 19	KM 20
pressure	pressure	pressure	pressure	pressure	pressure	pressure	pressure	pressure	pressure	pressure	pressure	pressure
12,8	—	12,8	—	—	12,6	—	—	11,7	11,4	14,3	11,9	—
413	C24	413	C24	C24	410	C24	C24	441	456	437	429	C24
19,2	—	32,9	—	—	33,4	—	—	11,1	11,2	13,5	20,5	—
15,6	26,83	27,9	19,88	28,54	29,5	14,8	24,16	8,5	9,3	11,2	15,4	15
2*	2*	2*	2*	2*	2*	2*	2*	2*	2*	2*	2*	2*
tests	calculations	tests	calculations	calculations	tests	calculations	calculations	tests	tests	tests	tests	calculations
ETA 22/0631	ETA 22/0631	ETA 22/0631	ETA 22/0631	ETA 22/0631	ETA 22/0631	ETA 22/0631	ETA 22/0631	ETA 18/1165	ETA 15/0725	ETA 15/0725	ETA 18/1165	ETA 22/0631

* Forces are given for a complete joint with two connectors, so the force per connector (one angle) is half of the value listed.

KMP

Perforated
angle bracket
with reinforcement



Application

Standard angle brackets with universal perforation. The large number of holes placed in them allows the implementation of many simple and complex connections. Properly designed ribs increase the bending strength, which allows the use of thinner corner material while maintaining similar strength parameters.

Material

DX51D + Z275.

Mounting

ANCHOR nails $\phi 4$; ANW – ANCHOR screws $\phi 5$ Torx20 socket.

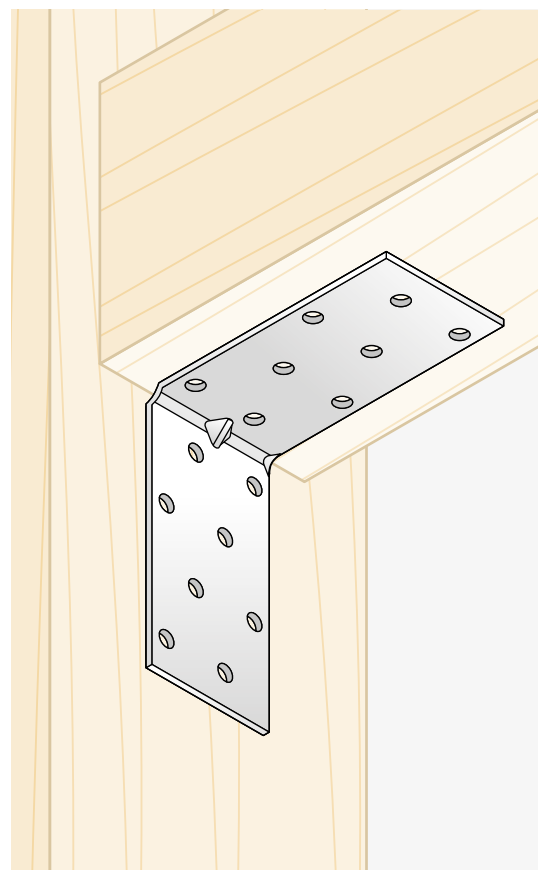
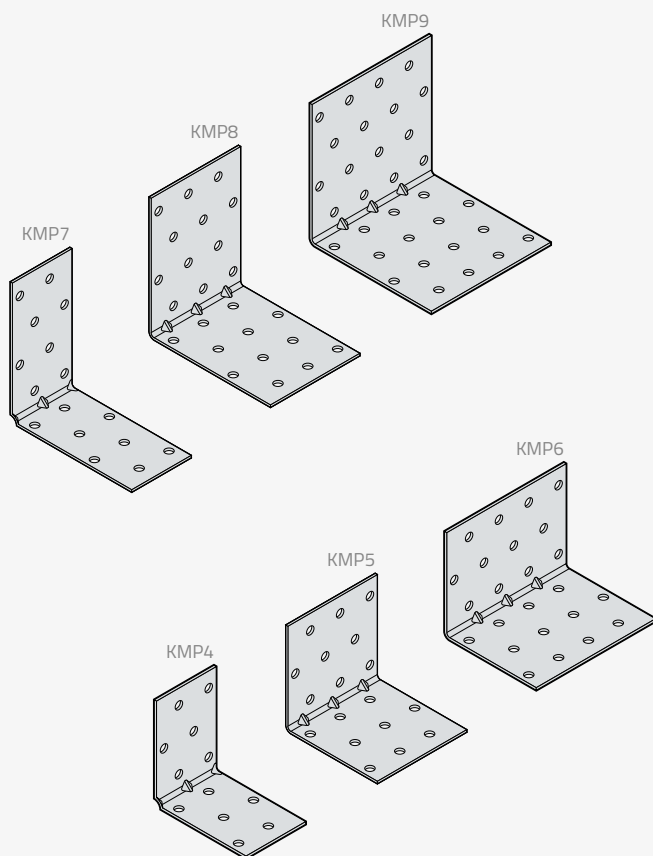
name	coat.	art no.	dimensions [mm]				holes [mm]		weight [g]	packaging [pcs]
			a	b	c	#	$\phi 5$			
KMP 1	●	4131	40	40	40	1,5	8	35	50	
KMP 2	●	4132	40	40	60	1,5	12	52	50	
KMP 3	●	4133	40	40	80	1,5	16	72	20	
KMP 4	●	4134	60	60	40	1,5	12	54	20	
KMP 5	●	4135	60	60	60	1,5	18	78	20	
KMP 6	●	4136	60	60	80	1,5	24	107	20	
KMP 7	●	4137	80	80	40	1,5	16	71	20	
KMP 8	●	4138	80	80	60	1,5	24	107	20	
KMP 9	●	4139	80	80	80	1,5	32	145	20	

coating:

- DX51D + Z275MAC

KMP

Perforated angle bracket with reinforcement



Loading capacity scheme	Nailing scheme								
Connector	KMP 1	KMP 2	KMP 3	KMP 4	KMP 5	KMP 6	KMP 7	KMP 8	KMP 9
Loading type	pressure	pressure	pressure	pressure	pressure	pressure	pressure	pressure	pressure
Wood moisture [%]	-	-	-	-	-	-	-	-	-
Density $\rho_{\text{mean}, 12\%}$ [kg/m ³]	C24	C24	C24	C24	C24	C24	C24	C24	C24
$P_{\text{max,mean}} (350 \text{ kg/m}^3)$ [kN]	6,85	6,71	6,92	3,82	6,02	7,11	6,12	7,42	12,1
$P_{\text{max,k}} (350 \text{ kg/m}^3)$ [kN]	6,2	5,91	6,26	3,41	5,51	6,8	5,53	6,57	10,71
Fasteners per connection	2*	2*	2*	2*	2*	2*	2*	2*	2*
Determination method	tests	tests	tests	tests	tests	tests	tests	tests	tests
Certificate	ETA 22/0631	ETA 22/0631	ETA 22/0631	ETA 22/0631	ETA 22/0631	ETA 22/0631	ETA 22/0631	ETA 22/0631	ETA 22/0631

* Forces are given for a complete joint with two connectors, so the force per connector (one angle) is half of the value listed.

KK

Anchor angle bracket



Application

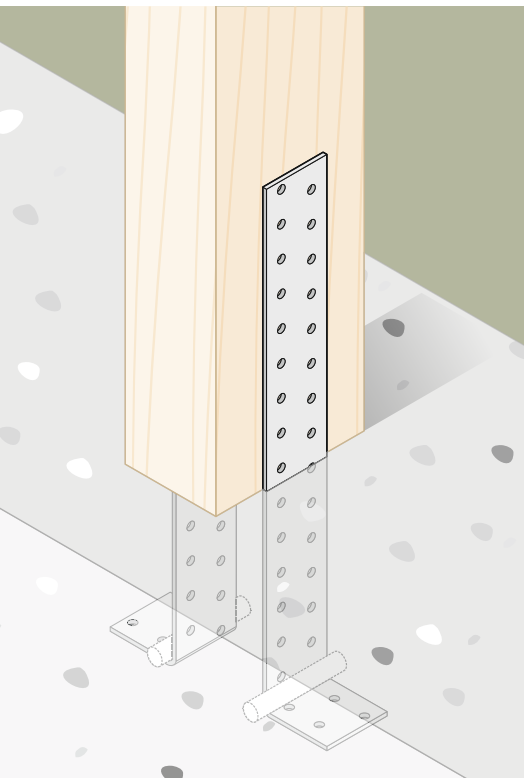
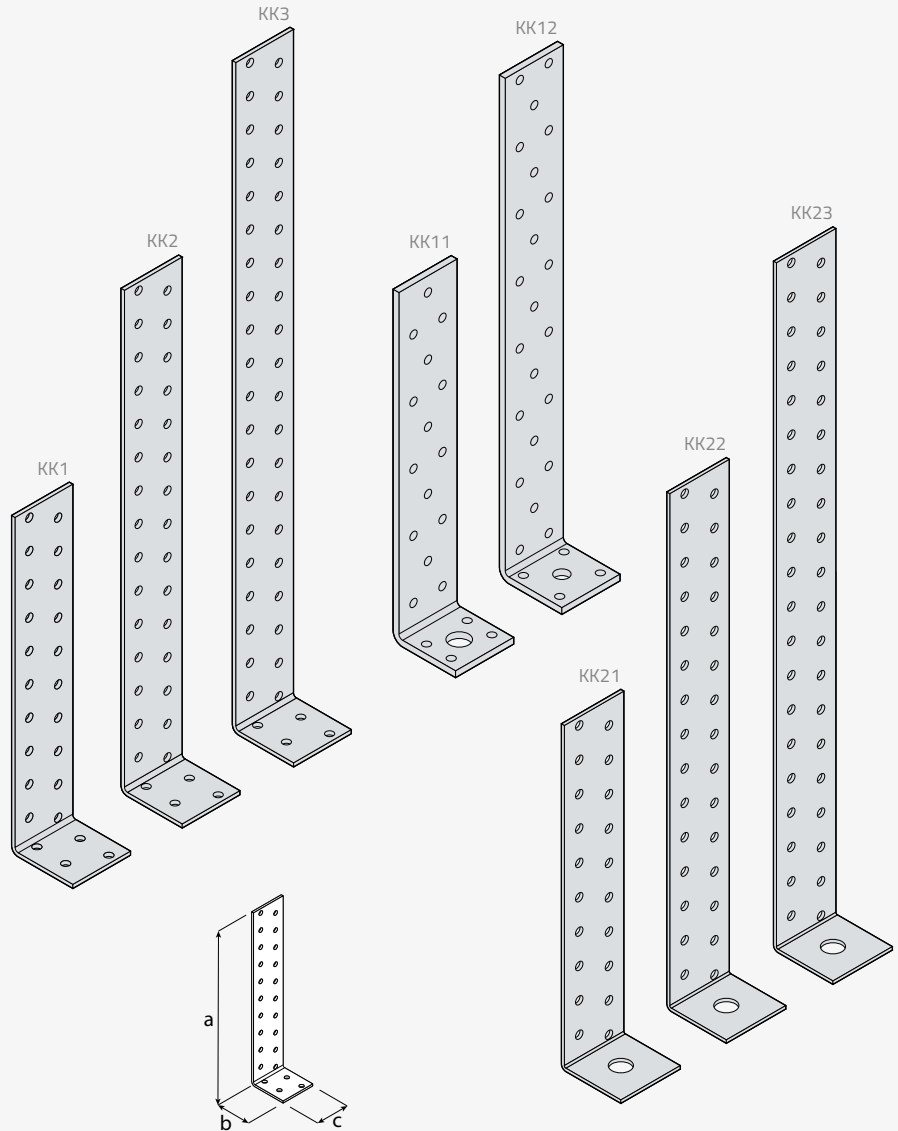
KK anchor brackets are intended for anchoring wood to concrete. They are perfect for fixing poles, ground beams and wall boards. The lower part is embedded in concrete, while wooden beams are attached to the protruding part. They are designed for fixing wood in concrete or wood in a wooden substrate. They are mainly used for anchoring poles and wooden walls.

Material

DX51D + Z275.

Mounting

ANCHOR nails $\phi 4$; ANW – ANCHOR screws $\phi 5$ Torx20 socket; wood screws $\phi 4, \phi 8, \phi 12$; bolts M8; concrete anchors M8, M12.



name	coat.	art no.	dimensions [mm]				holes [mm]				weight [g]	pack [pcs]
			a	b	c	#	$\phi 5$	$\phi 9$	$\phi 12$	$\phi 13$		
KK 1	●	4151	200	40	40	2,0	24	-	-	-	140	20
KK 2	●	4152	300	40	40	2,0	34	-	-	-	198	20
KK 3	●	4153	400	40	40	2,0	44	-	-	-	258	20
KK 11	●	4155	210	43	40	4,0	19	-	-	1	288	10
KK 12	●	4156	300	43	40	4,0	27	1	-	-	392	10
KK 21	●	415121	200	40	40	2,0	20	-	1	-	140	20
KK 22	●	415222	300	40	40	2,0	30	-	1	-	198	20
KK 23	●	415323	400	40	40	2,0	40	-	1	-	258	20

coating:

● DX51D + Z275MAC



	Nailing scheme								Loading capacity scheme
Connector	KK 1	KK 2	KK 3	KK 11	KK 12	KK 21	KK 22	KK 23	
Loading type	pressure	pressure	pressure	pulling out	pulling out	pulling out	pulling out	pulling out	
Wood moisture [%]	12,9	12,7	12,8	11,7	11,4	12,9	12,8	12,8	
Density $\rho_{\text{mean}, 12\%}$ [kg/m ³]	400	405	400	429	439	405	420	420	
$P_{\text{max,mean}} (350 \text{ kg/m}^3)$ [kN]	14,4	16,6	16,6	32,8	20,7	25,5	27,4	29,3	
$P_{\text{max,K}} (350 \text{ kg/m}^3)$ [kN]	11,6	13,1	14,7	26,5	18,3	19,9	22,5	25,9	
Fasteners per connection	2*	2*	2*	2*	2*	2*	2*	2*	
Determination method	tests	tests	tests	tests	tests	tests	tests	tests	
Certificate	ETA 22/0631	ETA 22/0631	ETA 22/0631	ETA 15/0725	ETA 15/0725	ETA 22/0631	ETA 22/0631	ETA 22/0631	

* Forces are given for a complete joint with two connectors, so the force per connector (one angle) is half of the value listed.

LBZ

Concrete
angle bracket



Application

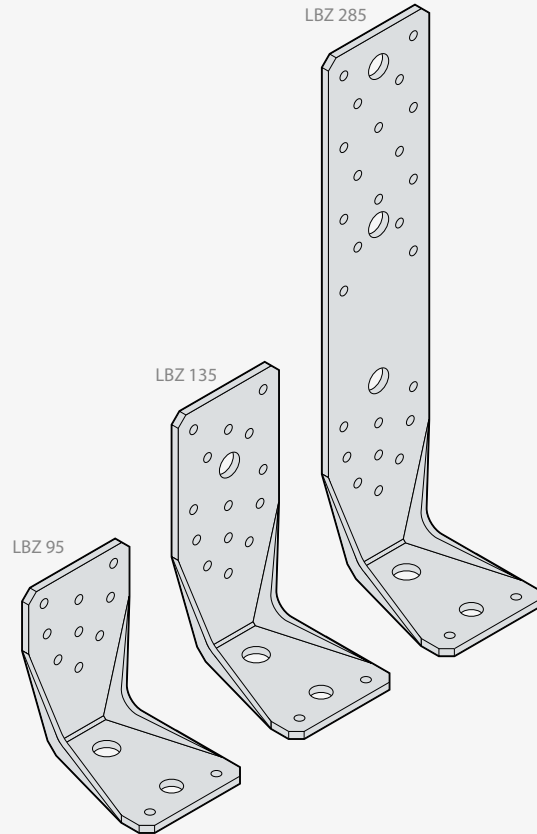
LBZ concrete angle brackets are intended mainly for fixing the wall board and ground beams as well as for anchoring columns. The sheet thickness used in their production and special ribbing on the edges ensure very high bending strength.

Material

S235 + hot-dip galvanized.

Mounting

ANCHOR $\varnothing 4$ ring nails; ANW – ANCHOR screws $\varnothing 5$ Torx20 socket; screws for wood $\varnothing 10$; bolts M10, M12; concrete anchors M10, M12.



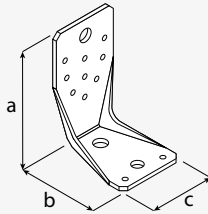
LBZ

Concrete angle bracket

name	coat.	art no.	dimensions [mm]				holes [mm]			weight [g]	packaging [pcs]
			a	b	c	≠	∅5	∅11	∅13,5		
LBZ 95	●	4227	95	65	85	4,0	11	1	1	365	10
LBZ 135	●	4228	135	65	85	4,0	16	1	2	445	10
LBZ 285	●	4229	285	65	85	4,0	27	1	4	755	10

coating:

- hot-dip galvanization



Loading capacity scheme	Nailing scheme		
Connector	LBZ 95	LBZ 135	LBZ 285
Loading type	pulling out	pulling out	pulling out
Wood moisture [%]	13	13	–
Density $\rho_{mean, 12\%}$ [kg/m ³]	407	432	C24
$P_{max, mean}$ (350 kg/m ³) [kN]	21,7	37	–
$P_{max, k}$ (350 kg/m ³) [kN]	18,4	29,2	50,6
Fasteners per connection	2*	2*	2*
Determination method	tests	tests	calculations
Certificate	ETA 22/0631	ETA 22/0631	ETA 22/0631

* Forces are given for a complete joint with two connectors, so the force per connector (one angle) is half of the value listed.



 in our offer

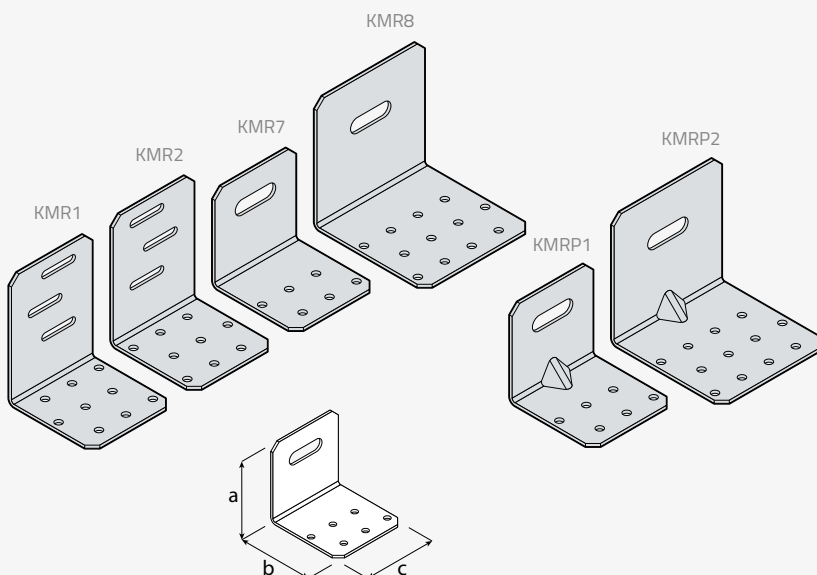
SBK

gate wheel

see page 267

Application Standard angle brackets with universal perforation. Due to the number of holes placed in them, many simple as well as complex connections can be made with these angles. The use of adjustable holes facilitates the installation of non-standard elements and the elimination of expansion stresses. Due to the fact that beam connected together can move relative to each other in a certain range, there are no stresses in the joint due to deformations or changes in wood moisture.

Material DX51D + Z275.
Mounting ANCHOR nails $\varnothing 4$; ANW – ANCHOR screws $\varnothing 5$ Torx20 socket; screws for wood $\varnothing 10$; bolts M10, M12; concrete anchors M10, M12.



name	coat.	art no.	dimensions [mm]				holes [mm]			weight [g]	packaging [pcs]
			a	b	c	\neq	$\varnothing 5$	$\varnothing 5 \times 20$	$\varnothing 10 \times 20$		
KMR 1	●	4231	80	60	60	2,0	9	3	–	140	20
KMR 2	●	4232	80	60	60	2,0	9	3	–	140	20
KMR 7	●	4237	60	60	60	2,0	6	–	1	104	20
KMR 8	●	4238	80	80	80	2,0	12	–	1	189	20
KMRP 1	●	4241	60	60	60	2,0	6	–	1	104	20
KMRP 2	●	4242	80	80	80	2,0	12	–	1	190	20

coating:
 ● DX51D + Z275MAC

Loading capacity scheme	Nailing scheme					
Connector	KMR 1	KMR 2	KMR 7	KMR 8	KMRP 1	KMRP 2
Loading type	pressure	pressure	pressure	pressure	pressure	pressure
Wood moisture [%]	–	–	–	–	–	–
Density $\rho_{mean, 12\%}$ [kg/m ³]	C24	C24	C24	C24	C24	C24
$P_{max, mean}$ (350 kg/m ³) [kN]	6,2	6,2	4,4	7,65	4,37	8,33
$P_{max, k}$ (350 kg/m ³) [kN]	5,52	5,52	3,7	6,73	3,74	6,9
Fasteners per connection	2*	2*	2*	2*	2*	2*
Determination method	tests	tests	tests	tests	tests	tests
Certificate	ETA 22/0631	ETA 22/0631	ETA 22/0631	ETA 22/0631	ETA 22/0631	ETA 22/0631

* Forces are given for a complete joint with two connectors, so the force per connector (one angle) is half of the value listed.

KMR

Perforated adjustable angle bracket

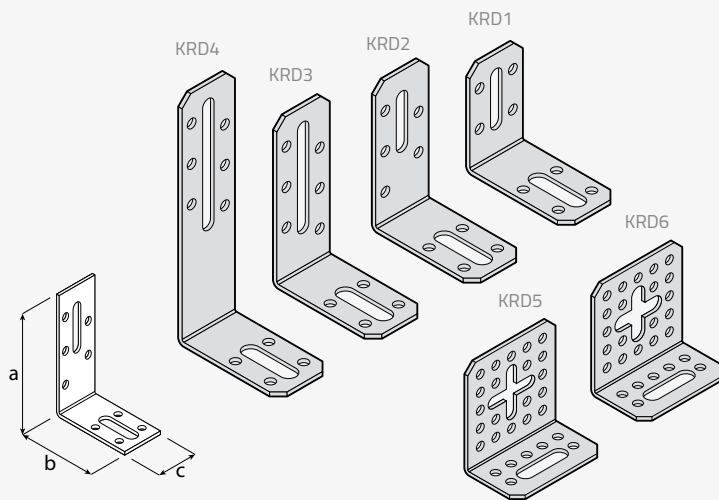
KMRP

Perforated adjustable angle bracket with reinforcement



KRD

Adjustable
angle bracket



Application

Designed for installation of windows and partition walls made of drywall. Adjustable holes can be used for initial assembly, and the final one can be realized with the use of round holes. Correction of the mutual position of the joined elements before nailing is useful in complex structures or requiring precise assembly. The oval holes, in addition to their regulatory function, also act as an expansion joint. Due to the fact that the elements to be connected move between each other in a certain range, there are no stresses in the joint due to deformations or changes in wood moisture.

Material

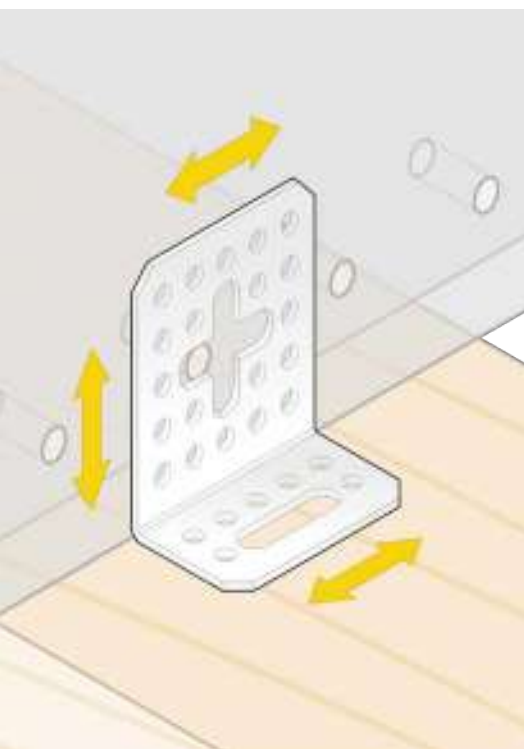
DX51D + Z275.

Mounting

ANCHOR nails $\phi 4$; ANW – ANCHOR screws $\phi 5$ Torx20 socket; wood screws $\phi 6$, $\phi 8$; bolts M6, M8; concrete anchors M6, M8.

name	coat.	art no.	dimensions [mm]				holes [mm]		weight [g]	packaging [pcs]
			a	b	c	#	$\phi 5$			
KRD 1	●	4215	50	55	30	2,0	8	$\phi 6,5 \times 23,5$; $\phi 8,5 \times 21,5$	39	20
KRD 2	●	4216	70	55	30	2,0	9	$\phi 6,5 \times 23,5$; $\phi 8,5 \times 21,5$	50	20
KRD 3	●	4217	80	55	30	2,0	10	$\phi 6,5 \times 48,5$; $\phi 8,5 \times 21,5$	50	20
KRD 4	●	4218	120	55	30	2,0	10	$\phi 6,5 \times 58,5$; $\phi 8,5 \times 21,5$	68	20
KRD 5	●	4219	60	30	56	2,0	27	$\phi 6,5 \times 23,5$	60	20
KRD 6	●	4220	60	34	56	2,0	27	$\phi 8,5 \times 21,5$	58	20

coating:
● DX51D + Z275MAC



Loading capacity scheme	Nailing scheme					
Connector	KRD 1	KRD 2	KRD 3	KRD 4	KRD 5	KRD 6
Loading type	pressure	pressure	pressure	pressure	pressure	pressure
Wood moisture [%]	13,0	12,9	12,8	12,8	16,1	16,1
Density $\rho_{mean, 12\%}$ [kg/m ³]	413	416	409	409	453,8	430,8
$P_{max, mean (350 kg/m^3)}$ [kN]	11,1	12,2	13,1	13,1	9,65	8,74
$P_{max, k (350 kg/m^3)}$ [kN]	7,4	9,5	10,8	10,8	6,1	6,1
Fasteners per connection	2*	2*	2*	2*	1**	1**
Determination method	tests	tests	tests	tests	tests	tests
Certificate	ETA 22/0631	ETA 22/0631	ETA 22/0631	ETA 22/0631	ETA 14/0425	ETA 14/0425

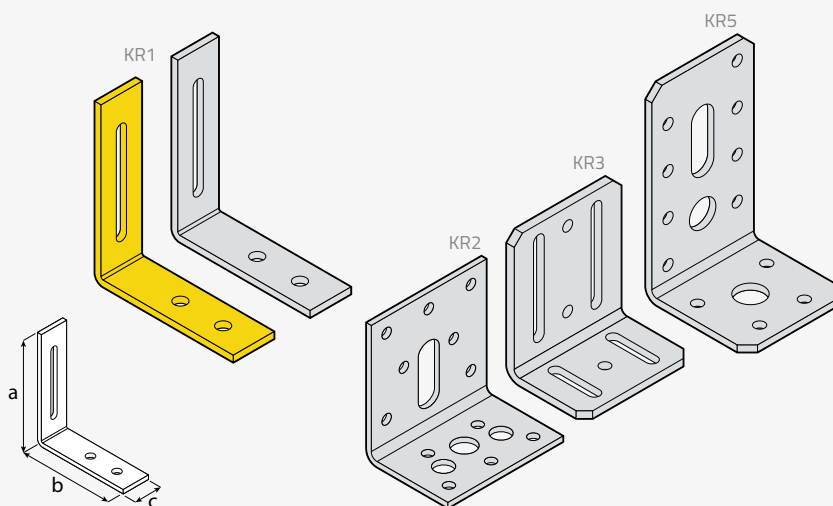
* Forces are given for a complete joint with two connectors, so the force per connector (one angle) is half of the value listed.
** Forces are for a complete connection including one coupler.

Application They have adjustable holes, which facilitates the installation of non-standard elements and the elimination of expansion stresses. Due to the possibility of sliding of the connected elements against each other, there are no stresses in the joint due to deformations or changes in the moisture content of the wood.

Material DC01 + yellow galvanization; DC01 + silver galvanization; DX51D + Z275.
Mounting ANCHOR nails $\phi 4$; ANW – ANCHOR screws $\phi 5$ Torx20 socket; wood screws $\phi 4$, $\phi 5$, $\phi 6$, $\phi 8$, $\phi 10$, $\phi 12$; bolts M5, M6, M8, M10, M12; concrete anchors M5, M6, M8, M10, M12.

KR

Adjustable angle bracket



name	coat.	art no.	dimensions [mm]				holes [mm]					weight [g]	packaging [pcs]	
			a	b	c	#	$\phi 5$	$\phi 6$	$\phi 9$	$\phi 11$	$\phi 13$			□
KR 1	●	4211	75	65	20	3,0	-	2	-	-	-	$\phi 5 \times 45$	59	20
	●	42115	75	65	20	3,0	-	2	-	-	-	$\phi 5 \times 45$	59	20
KR 2	●	4212	60	40	60	2,5	12	-	2	1	-	$\phi 11 \times 19$	100	20
KR 3	●	4213	75	45	65	4,0	-	3	-	-	-	$\phi 6,5 \times 50$ $\phi 6,5 \times 23,5$	193	20
KR 5	●	42110	90	50	50	3,0	12	-	-	-	2	$\phi 11 \times 19$	135	10

coating:

- yellow galvanization
- silver galvanization
- DX51D + Z275MAC



Loading capacity scheme	Nailing scheme			
Connector	KR 1	KR 2	KR 3	KR 5
Loading type	pressure	pressure	pressure	pressure
Wood moisture [%]	13,4	14,6	14,7	11,5
Density $\rho_{mean, 12\%}$ [kg/m ³]	438,8	396,2	408,7	450
$P_{max, mean}$ (350 kg/m ³) [kN]	6,74	12,29	7,53	17,4
$P_{max, k}$ (350 kg/m ³) [kN]	5,1	6,7	6,3	14,7
Fasteners per connection	1**	1**	1**	2*
Determination method	tests	tests	tests	tests
Certificate	ETA 14/0425	ETA 14/0425	ETA 14/0425	ETA 15/0725

* Forces are given for a complete joint with two connectors, so the force per connector (one angle) is half of the value listed.
 ** Forces are for a complete connection including one coupler.

KW

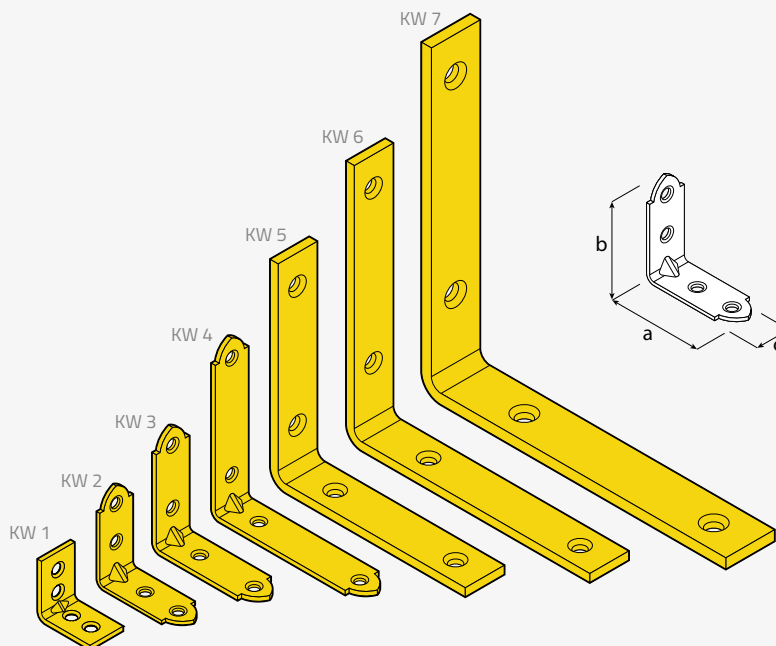
Narrow angle bracket



Application Brackets for small carpentry and furniture work. Their width allows them to be attached to the narrow sides of boards and boards.

Material DC01 + yellow galvanization; S235 + yellow galvanization; DC01 + silver galvanization.

Mounting ANCHOR nails $\phi 4$; wood screws $\phi 4$, $\phi 5$; M5 bolts; M5 concrete anchors.



name	coat.	art no.	dimensions [mm]				holes [mm]		weight [g]	packaging [pcs]
			a	b	c	\neq	$\phi 4,5$	$\phi 6$		
KW 1	●	4001	25	25	17	1,5	4	–	9	50
KW 2	●	4002	40	40	17	1,5	4	–	14	50
KW 3	●	4003	50	50	17	2,0	4	–	24	20
KW 4	●	4004	75	75	17	2,0	4	–	40	20
KW 5	●	4005	100	100	20	4,0	–	4	116	20
KW 6	●	4006	125	125	20	4,0	–	4	146	20
KW 7	●	4007	150	150	25	5,0	–	4	274	20

coating:
● yellow galvanization

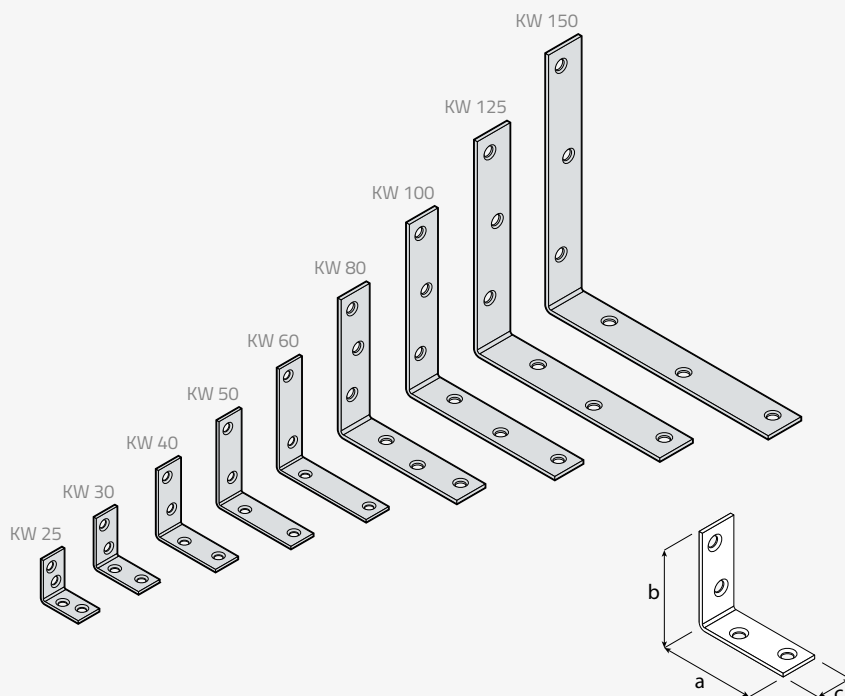


Loading capacity scheme	Nailing scheme						
Connector	KW 1	KW 2	KW 3	KW 4	KW 5	KW 6	KW 7
Loading type	pressure	pressure	pressure	pressure	pressure	pressure	pressure
Wood moisture [%]	12,8	12,8	12,9	12,9	12,7	12,7	12,7
Density $\rho_{mean, 12\%}$ [kg/m ³]	413	413	402	402	409	409	430
$P_{max,mean}$ (350 kg/m ³) [kN]	7,2	7,2	7,3	7,3	12,6	12,6	14,7
$P_{max,k}$ (350 kg/m ³) [kN]	6	6	5,5	5,5	10,9	10,9	11,1
Fasteners per connection	2*	2*	2*	2*	2*	2*	2*
Determination method	tests	tests	tests	tests	tests	tests	tests
Certificate	ETA 22/0631	ETA 22/0631	ETA 22/0631	ETA 22/0631	ETA 22/0631	ETA 22/0631	ETA 22/0631

* Forces are given for a complete joint with two connectors, so the force per connector (one angle) is half of the value listed.

KW

Narrow angle bracket



name	coat.	art no.	dimensions [mm]				holes [mm]		weight [g]	packaging [pcs]
			a	b	c	≠	ø4,5			
KW 25	●	40014	25	25	14	1,5	4	9	50	
KW 30	●	40019	30	30	14	1,5	4	9	50	
KW 40	●	40024	40	40	15	1,5	4	13	50	
KW 50	●	40034	50	50	15	1,5	4	23	50	
KW 60	●	40044	60	60	15	1,5	4	37	50	
KW 80	●	448561	80	80	19	2,0	6	45	20	
KW 100	●	448571	100	100	19	2,0	6	57	20	
KW 125	●	448581	125	125	22	2,0	6	83	20	
KW 150	●	448591	150	150	22	2,0	6	101	20	

coating:
● silver galvanization

Loading capacity scheme	Nailing scheme									
Connector		KW 25	KW 30	KW 40	KW 50	KW 60	KW 80	KW 100	KW 125	KW 150
Loading type		pressure	pressure	pressure	pressure	pressure	pressure	pressure	pressure	pressure
Wood moisture [%]		12,6	12,6	12,6	12,6	12,6	12,9	12,9	12,9	12,9
Density $\rho_{mean, 12\%}$ [kg/m ³]		407	407	407	407	407	410	410	410	410
$P_{max,mean}$ (350 kg/m ³) [kN]		7,6	7,6	7,6	7,6	7,6	9,7	9,7	9,7	9,7
$P_{max,k}$ (350 kg/m ³) [kN]		5,6	5,6	5,6	5,6	5,6	7,6	7,6	7,6	7,6
Fasteners per connection		2*	2*	2*	2*	2*	2*	2*	2*	2*
Determination method		tests	tests	tests	tests	tests	tests	tests	tests	tests
Certificate		ETA 22/0631	ETA 22/0631	ETA 22/0631	ETA 22/0631	ETA 22/0631	ETA 22/0631	ETA 22/0631	ETA 22/0631	ETA 22/0631

* Forces are given for a complete joint with two connectors, so the force per connector (one angle) is half of the value listed.





FKW

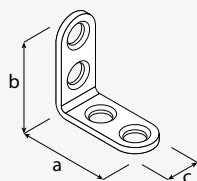
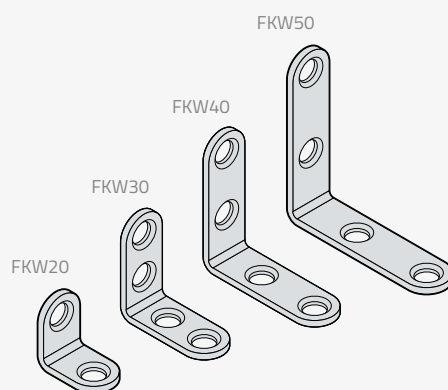
Rounded angle bracket



Application Brackets for small carpentry and furniture work. Their width allows them to be attached to the narrow sides of boards and boards.

Material DC01 + silver galvanization.

Mounting Ø4 wood screws, euro screws.



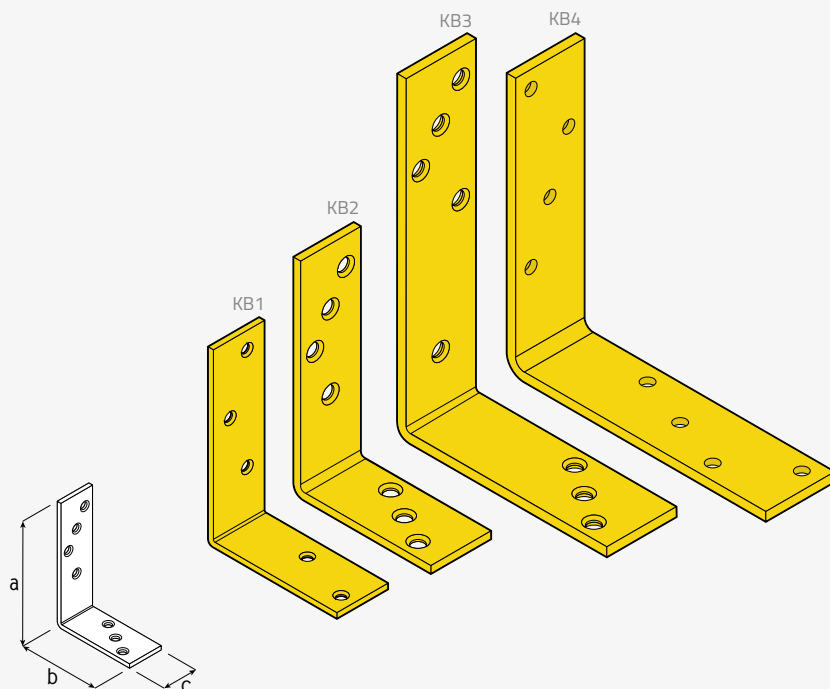
name	coat.	art no.	dimensions [mm]				holes [mm]		weight [g]	packaging
			a	b	c	≠	ø6,5			
FKW 20	●	4482114	20	20	13	2,0	2	24	4 à 25 pcs.	
FKW 30	●	4482214	30	30	13	2,0	4	35	4 à 25 pcs.	
FKW 40	●	4482314	40	40	13	2,0	4	52	4 à 25 pcs.	
FKW 50	●	4482414	50	50	13	2,0	4	68	4 à 25 pcs.	

coating:
● silver galvanization

Application Strong angle brackets made from thick material. A characteristic feature of these joints is the arrangement of holes in rows offset to each other, which avoids hammering nails between the same wood fibers, thus reducing the risk of breakage.

Material S235 + yellow galvanization.

Mounting ANCHOR nails $\varnothing 4$; $\varnothing 4$, $\varnothing 6$ wood screws.



name	coat.	art no.	dimensions [mm]				holes [mm]			weight [g]	packaging [pcs]
			a	b	c	#	$\varnothing 4$	$\varnothing 7$	$\varnothing 7,5$		
KB 1	●	4015	100	75	30	3,0	5	-	-	121	20
KB 2	●	4016	120	80	35	4,0	-	7	-	201	10
KB 3	●	4017	180	120	40	5,0	-	-	8	440	10
KB 4	●	4018	150	150	40	5,0	-	8	-	440	5

coating:

● yellow galvanization

KB

Construction angle bracket



Loading capacity scheme	Nailing scheme			
Connector	KB 1	KB 2	KB 3	KB 4
Loading type	pressure	pressure	pressure	pressure
Wood moisture [%]	-	-	-	12,7
Density $\rho_{mean, 12\%}$ [kg/m ³]	C24	C24	C24	420
$P_{max, mean}$ (350 kg/m ³) [kN]	7,84	9,04	9,04	21,9
$P_{max, k}$ (350 kg/m ³) [kN]	7,46	8,62	8,62	19,3
Fasteners per connection	2*	2*	2*	2*
Determination method	tests	tests	tests	tests
Certificate	ETA 22/0631	ETA 22/0631	ETA 22/0631	ETA 15/0725

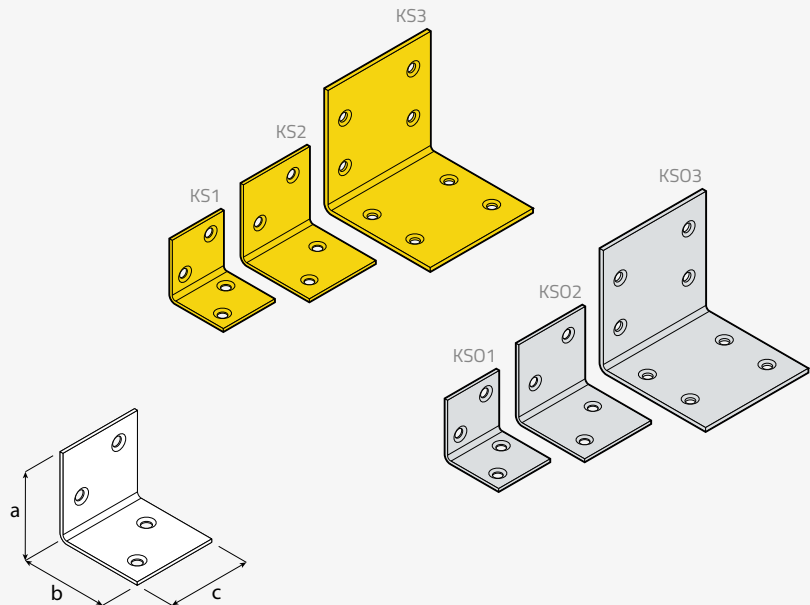
* Forces are given for a complete joint with two connectors, so the force per connector (one angle) is half of the value listed.

KS

Wide angle bracket



Application Universal brackets for small carpentry and furniture works.
 Material DC01 + yellow galvanization; DX51D + Z275.
 Mounting ANCHOR nails $\phi 4$; $\phi 4$ wood screws.



name	coat.	art no.	dimensions [mm]				holes [mm]		weight [g]	packaging [pcs]
			a	b	c	≠	$\phi 4,5$			
KS 1	●	4011	30	30	30	1,5	4	21	50	
KS 2	●	4012	40	40	40	1,5	4	37	50	
KS 3	●	4013	60	60	60	2,0	8	113	20	
KSO 1	●	40114	30	30	30	1,5	4	21	50	
KSO 2	●	40124	40	40	40	1,5	4	37	50	
KSO 3	●	40134	60	60	60	2,0	8	110	20	

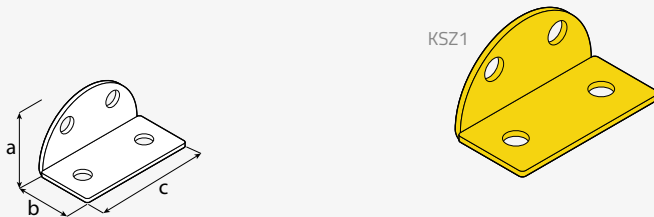
coating:
 ● yellow galvanization
 ● DX51D + Z275MAC



Loading capacity scheme	Nailing scheme					
	KS 1	KS 2	KS 3	KSO 1	KSO 2	KSO 3
Connector	KS 1	KS 2	KS 3	KSO 1	KSO 2	KSO 3
Loading type	pressure	pressure	pressure	pressure	pressure	pressure
Wood moisture [%]	-	-	-	-	-	-
Density $p_{mean, 12\%}$ [kg/m ³]	C24	C24	C24	C24	C24	C24
$P_{max, mean}$ (350 kg/m ³) [kN]	3,68	3,68	7,04	3,95	3,95	7,28
$P_{max, k}$ (350 kg/m ³) [kN]	3,44	3,44	6,65	3,49	3,49	6,58
Fasteners per connection	2*	2*	2*	2*	2*	2*
Determination method	tests	tests	tests	tests	tests	tests
Certificate	ETA 22/0631	ETA 22/0631	ETA 22/0631	ETA 22/0631	ETA 22/0631	ETA 22/0631

* Forces are given for a complete joint with two connectors, so the force per connector (one angle) is half of the value listed.

Application Universal brackets for small carpentry and furniture works.
Material DC01 + yellow galvanization.
Mounting ANCHOR nails $\varnothing 4$; $\varnothing 4$ wood screws.



name	coat.	art no.	dimensions [mm]				holes [mm]			weight [g]	packaging [pcs]
			a	b	c	≠	$\varnothing 4,5$	$\varnothing 4,5$	$\varnothing 4,5$		
KSZ 1	●	8879	20	19	40	1,5	4		13	20	

coating:
 ● yellow galvanization

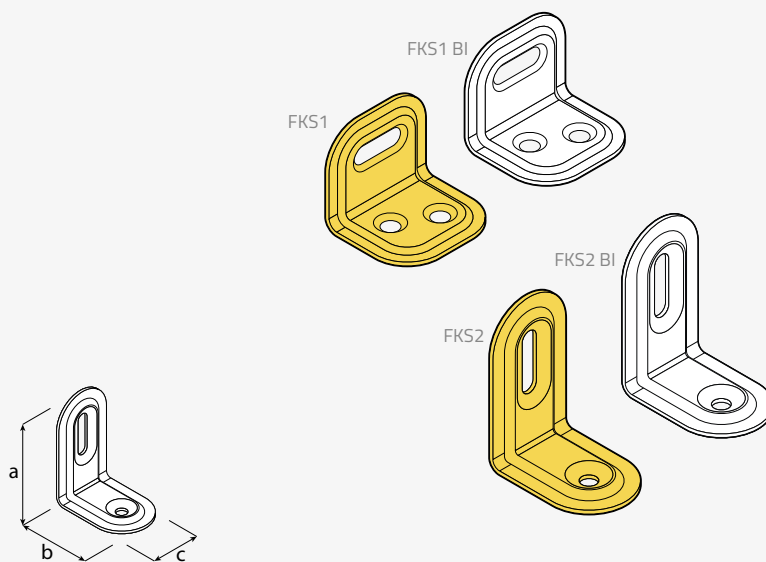
KSZ

Wide rounded angle bracket



Application FKS angle brackets have adjustable holes, which facilitates the installation of non-standard elements and eliminates expansion stresses. Due to the fact that the elements to be connected move between each other in a certain range, there are no stresses in the joint due to deformations or changes in wood moisture.

Material DC01 + galvanization; DC01 + galvanization + white powder paint.
Mounting ANCHOR nails $\varnothing 4$; $\varnothing 4$ wood screws.



name	coat.	art no.	dimensions [mm]				holes [mm]			weight [g]	packaging [pcs]
			a	b	c	≠	$\varnothing 4,5$	$\varnothing 4,5 \times 9,5$	$\varnothing 4,3 \times 12$		
FKS 1	●	448111	25	25	29	1,0	2	1	-	12	20
FKS 1 BI	○	448113	25	25	29	1,0	2	1	-	12	20
FKS 2	●	448121	40	28	22	1,0	1	-	1	11	20
FKS 2 BI	○	448123	40	28	22	1,0	1	-	1	11	20

coating:
 ● yellow galvanization
 ○ powder coated, white

FKS

Adjustable angle bracket



LK

Rafter connector



Application

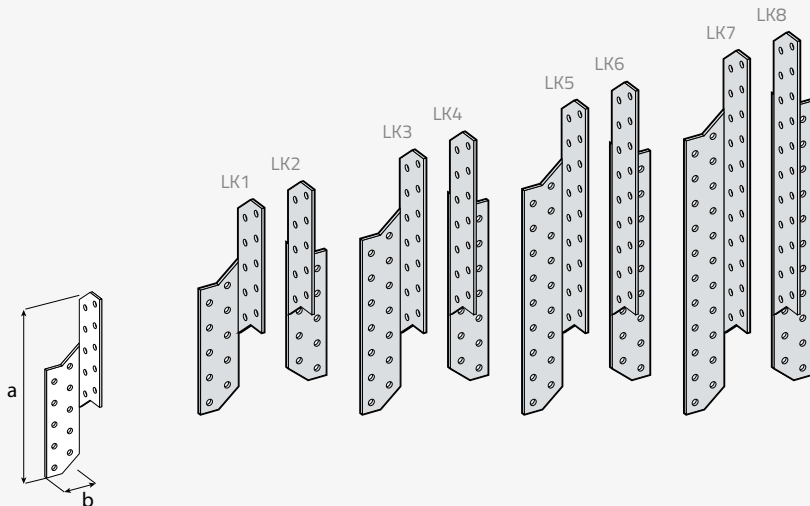
Specially designed connector for fixing rafters. The main advantage of its use is a significant increase in the resistance of the roof to wind blows.

Material

DX51D + Z275.

Mounting

ANCHOR nails $\phi 4$; ANW – ANCHOR screws $\phi 5$ Torx20 socket.



name	coat.	art no.	side	dimensions [mm]			holes [mm]		weight [g]	packaging [pcs]
				a	b	#	$\phi 5$			
LK 1	●	4661	L	170	32	2,0	20	94	20	
LK 2	●	4662	R	170	32	2,0	20	94	20	
LK 3	●	4663	L	210	32	2,0	28	132	20	
LK 4	●	4664	R	210	32	2,0	28	132	20	
LK 5	●	4665	L	250	32	2,0	36	169	20	
LK 6	●	4666	R	250	32	2,0	36	169	20	
LK 7	●	4667	L	290	32	2,0	44	207	20	
LK 8	●	4668	R	290	32	2,0	44	207	20	

coating:

- DX51D + Z275MAC



Loading capacity scheme	Nailing scheme							
Connector	LK 1	LK 2	LK 3	LK 4	LK 5	LK 6	LK 7	LK 8
Loading type	pressure	pressure	pressure	pressure	pressure	pressure	pressure	pressure
Wood moisture [%]	–	–	–	–	–	–	–	–
Density $\rho_{mean, 12\%}$ [kg/m ³]	C24	C24	C24	C24	C24	C24	C24	C24
$P_{max, mean (350 kg/m^3)}$ [kN]	21,26	21,26	22,16	22,16	22,52	22,52	22,04	22,04
$P_{max, k (350 kg/m^3)}$ [kN]	19,36	19,36	19,25	19,25	19,91	19,91	19,35	19,35
Fasteners per connection	2*	2*	2*	2*	2*	2*	2*	2*
Determination method	tests	tests	tests	tests	tests	tests	tests	tests
Certificate	ETA 22/0631	ETA 22/0631	ETA 22/0631	ETA 22/0631	ETA 22/0631	ETA 22/0631	ETA 22/0631	ETA 22/0631

* Forces are given for a complete joint with two connectors, so the force per connector (one angle) is half of the value listed.

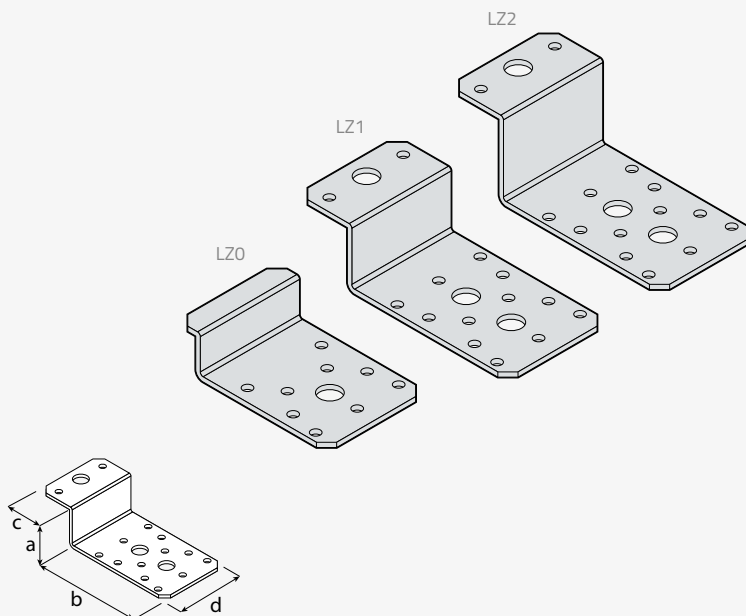
Application Connector for fixing perpendicular connections, with nails hammered-in in one direction. Perfect for I-beam constructions. Unlike the angle bars, the Z-type connector has an additional bend preventing the connected beam from rotating.

Material DX51D + Z275.

Mounting ANCHOR nails $\phi 4$; ANW – ANCHOR screws $\phi 5$ Torx20 socket; wood screws $\phi 10$; M10 bolts, M10 concrete anchors.

LZ

Z-type connector



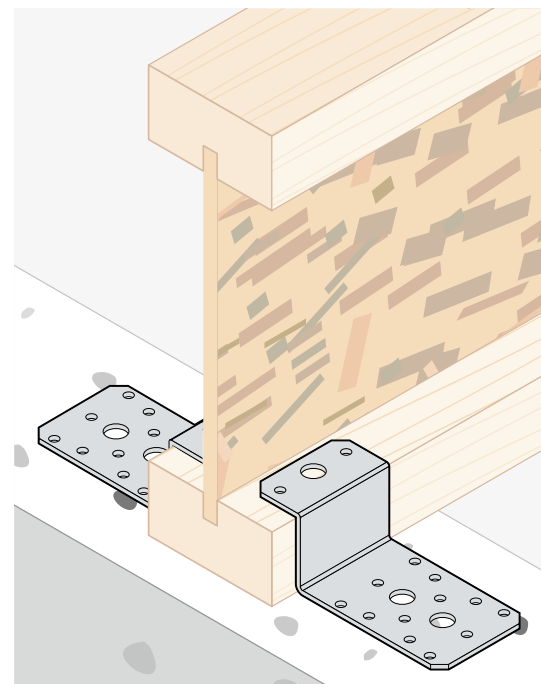
name	coat.	art no.	dimensions [mm]					holes [mm]		weight [g]	packaging [pcs]
			a	b	c	d	≠	$\phi 5$	$\phi 11$		
LZ 0	●	4619	21	70	10	55	2,5	9	1	100	20
LZ 1	●	4621	41	85	30	55	2,5	14	3	153	20
LZ 2	●	4622	51	85	30	55	2,5	14	3	163	20

coating:

● DX51D + Z275MAC

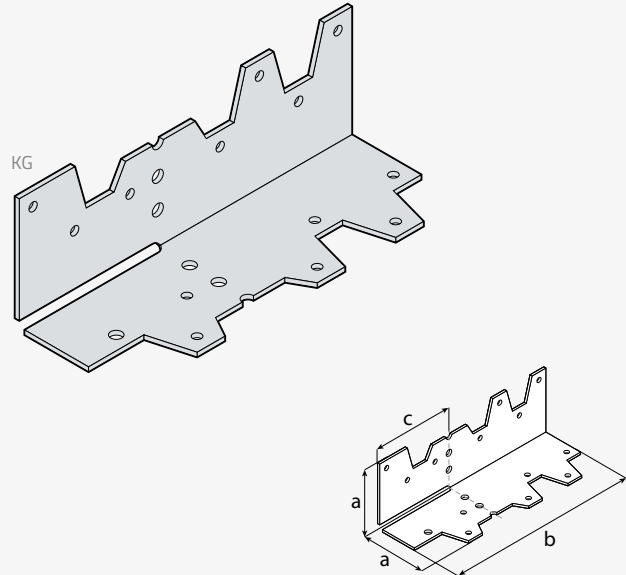
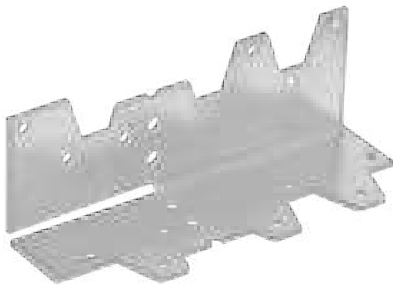
Loading capacity scheme	Nailing scheme		
Connector	LZ0	LZ 1	LZ 2
Loading type	pulling out	pressure	pressure
Wood moisture [%]	–	–	–
Density $\rho_{mean, 12\%}$ [kg/m ³]	C24	C24	C24
$P_{max, mean}$ (350 kg/m ³) [kN]	–	4,02	4,02
$P_{max, k}$ (350 kg/m ³) [kN]	1,3	3,62	3,62
Fasteners per connection	1**	2*	2*
Determination method	calculations	tests	tests
Certificate	ETA 22/0631	ETA 22/0631	ETA 22/0631

* Forces are given for a complete joint with two connectors, so the force per connector (one angle) is half of the value listed.
 ** Forces are for a complete connection including one coupler.



KG

Folded connector



Application A specially designed connector for mounting at a non-standard angle of angled wooden elements such as struts.

Material DX51D + Z275.

Mounting ANCHOR nails $\phi 2$; ANW – ANCHOR screws $\phi 5$ Torx20 socket.

name	coat.	art no.	dimensions [mm]				holes [mm]		weight [g]	packaging [pcs]
			a	b	c	\neq	$\phi 3$	$\phi 5$		
KG	●	4620	40	120	50	1,5	14	4	85	50

coating:
● DX51D + Z275MAC



Connector	KG	Loading capacity scheme	Nailing scheme
Loading type	pressure		
Wood moisture [%]	12,7		
Density $p_{mean, 12\%}$ [kg/m ³]	421		
$P_{max, mean (350 kg/m^3)}$ [kN]	19,5		
$P_{max, k (350 kg/m^3)}$ [kN]	14,6		
Fasteners per connection	2*		
Determination method	tests		
Certificate	ETA 22/0631		

* Forces are given for a complete joint with two connectors, so the force per connector (one angle) is half of the value listed.

Application Decorative angle bracket for connecting wooden elements at right angles. It will be useful wherever fixing elements is also to increase the aesthetic value of the structure.

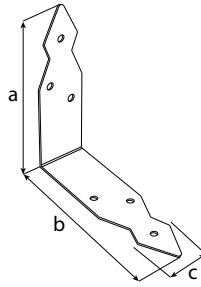
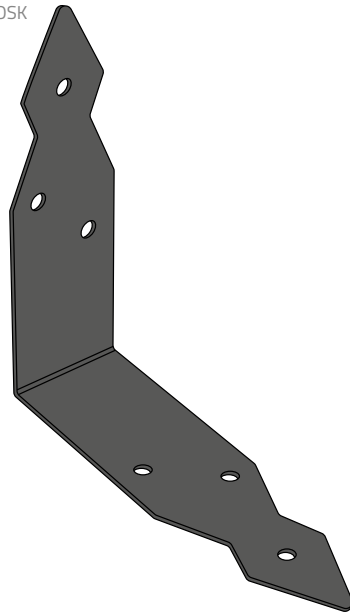
Material Duplex: DX51D + Z275 + black powder coating.

Mounting $\varnothing 4,5$ ZAS screws.

OSK

Decorative angle bracket

OSK



name	coat.	art no.	dimensions [mm]				holes [mm]	weight [g]	packaging [pcs]
			a	b	c	≠	$\varnothing 5$		
OSK 146	■	79982	146	146	40	1,5	6	109	10

coating:

■ Duplex black



PP

Płytki perforowana



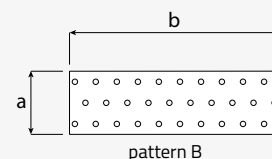
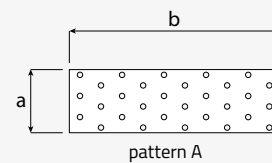
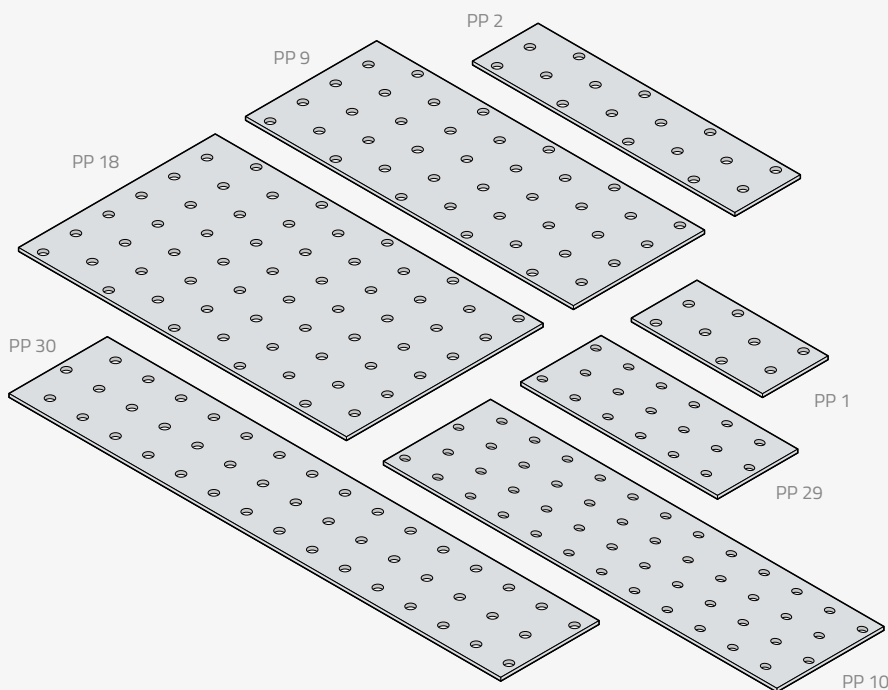
Application Standard flat plates with universal perforation. The number of holes placed in them means that with the help of these connectors many simple and complex connections can be made. They are often used to install roof trusses.

Material DX51D + Z275.

Mounting ANCHOR nails $\phi 4$; ANW – ANCHOR screws $\phi 5$ Torx20 socket.

name	coat.	art no.	dimensions [mm]			holes [mm]	pattern	weight [g]	packaging [pcs]
			a	b	≠	$\phi 5$			
PP 1	●	4401	40	80	2,0	8	A	47	20
PP 2	●	4402	40	100	2,0	10	A	59	20
PP 3	●	4403	40	120	2,0	12	A	70	20
PP 4	●	4404	40	160	2,0	16	A	93	20
PP 5	●	4405	60	140	2,0	21	A	125	20
PP 6	●	4406	60	160	2,0	24	A	141	20
PP 7	●	4407	60	200	2,0	30	A	174	20
PP 8	●	4408	60	240	2,0	36	B	216	20
PP 9	●	4409	80	200	2,0	40	A	233	20
PP 10	●	4410	80	240	2,0	48	B	288	20
PP 11	●	4411	80	300	2,0	60	B	355	10
PP 12	●	4412	100	200	2,0	50	B	293	10
PP 13	●	4413	100	240	2,0	60	B	352	10
PP 14	●	4414	100	260	2,0	65	B	383	10
PP 15	●	4415	100	300	2,0	75	B	437	10
PP 16	●	4416	100	400	2,0	100	B	587	10
PP 17	●	4417	100	500	2,0	125	B	735	10
PP 18	●	4418	120	200	2,0	60	A	355	10
PP 19	●	4419	120	240	2,0	72	B	424	10
PP 20	●	4420	120	260	2,0	78	B	465	10
PP 21	●	4421	120	300	2,0	90	B	531	10
PP 22	●	4422	140	400	2,0	140	B	827	10
PP 23	●	4423	160	400	2,0	160	B	949	10
PP 24	●	4424	200	300	2,0	150	B	882	10
PP 25	●	4425	200	400	2,0	200	B	1179	10
PP 26	●	4426	200	500	2,0	250	B	1494	10
PP 27	●	4427	200	600	2,0	300	B	1688	10
PP 28	●	4428	40	200	2,0	20	B	117	20
PP 29	●	4429	60	120	2,0	18	A	106	20
PP 30	●	4430	60	300	2,0	45	B	266	20
PP 31	●	4431	100	120	2,0	30	A	180	20
PP 33	●	4433	80	120	2,0	24	A	139	20
PP 35	●	4435	100	100	2,0	25	A	148	20
PP 36	●	4436	100	160	2,0	40	A	241	10
PP 37	●	4437	80	400	2,0	80	B	482	10
PP 91	●	4391	40	1200	2,0	120	B	704	10
PP 92	●	4392	60	1200	2,0	180	B	1034	10
PP 93	●	4393	80	1200	2,0	240	B	1439	1
PP 94	●	4394	100	1200	2,0	300	B	1762	1
PP 95	●	4395	120	1200	2,0	360	B	2135	1
PP 96	●	4396	140	1200	2,0	420	B	2540	1
PP 97	●	4397	160	1200	2,0	480	B	2830	1
PP 98	●	4398	180	1200	2,0	540	B	3190	1
PP 99	●	4399	200	1200	2,0	600	B	3535	1

coating:
● DX51D + Z275MAC



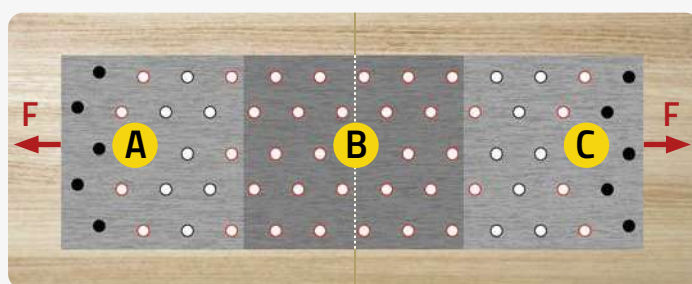
Wizard for nailing plates








Use the convenient tool available at <https://dmxsystem.com/pl/creator/>, which allows you to choose the optimal scheme of nailing. The wizard will help you calculate how to quickly and optimally join two beams with a perforated PP perforated plates.

The wizard's base includes perforated PP plates with lengths ranging from 160–600 mm. You can place nails yourself by clicking on the available holes or based on a unique algorithm, indicating the number of nails you want to use. The second method is especially helpful for larger tiles with a large number of holes to fill. By clicking on the "Print" button, you will receive a clear overview of all the information you need, including: data of perforated plates, nailing diagram with the required nails, calculated joint loading capacity and minimum beam dimensions.



www.dmxsystem.com

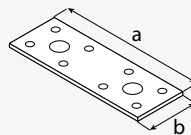
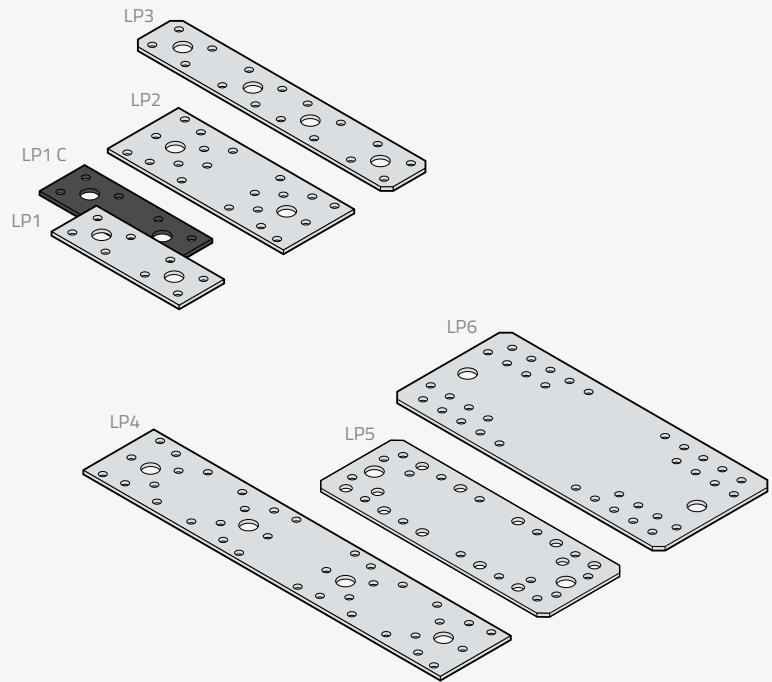
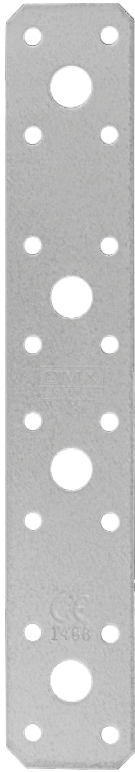


-  the point of contact of two beams
-  hammered nail
-  the hole that should be empty (PN EN 1995-1)
-  possibility of hammering a nail
-  symmetrical layout
-  blocked area
-  arbitrary layout
-  force loading the joint



LP

Flat connector



Application Flat connectors have a wide range of well-thought-out hole patterns, so they can be used both in standard solutions and selected for individually designed connectors.

Material DX51D + Z275; DX51D + Z275 + black powder coating.

Mounting ANCHOR nails $\phi 4$; ANW – ANCHOR screws $\phi 5$ Torx20 socket; wood screws $\phi 6, \phi 10$; bolts M10, M12; concrete anchors M10, M12.

name	coat.	art no.	dimensions [mm]			holes [mm]				weight [g]	packaging [pcs]
			a	b	≠	$\phi 5$	$\phi 7$	$\phi 11$	$\phi 14$		
LP 1	●	4471	100	35	2,5	8	-	2	-	62	20
LP 1 C	■	44712	100	35	2,5	8	-	2	-	62	20
LP 2	●	4472	140	55	2,5	20	-	2	-	139	20
LP 3	●	4473	200	35	2,5	16	-	4	-	122	20
LP 4	●	4474	280	55	2,5	36	-	4	-	279	20
LP 5	●	4475	180	65	2,5	16	12	2	-	210	20
LP 6	●	4476	210	90	2,5	36	-	-	2	341	20

coating:
 ● DX51D + Z275MAC
 ■ Duplex black

domax[■]



✓ in our offer

GPLP

pergola corner connector / see page 180

TM

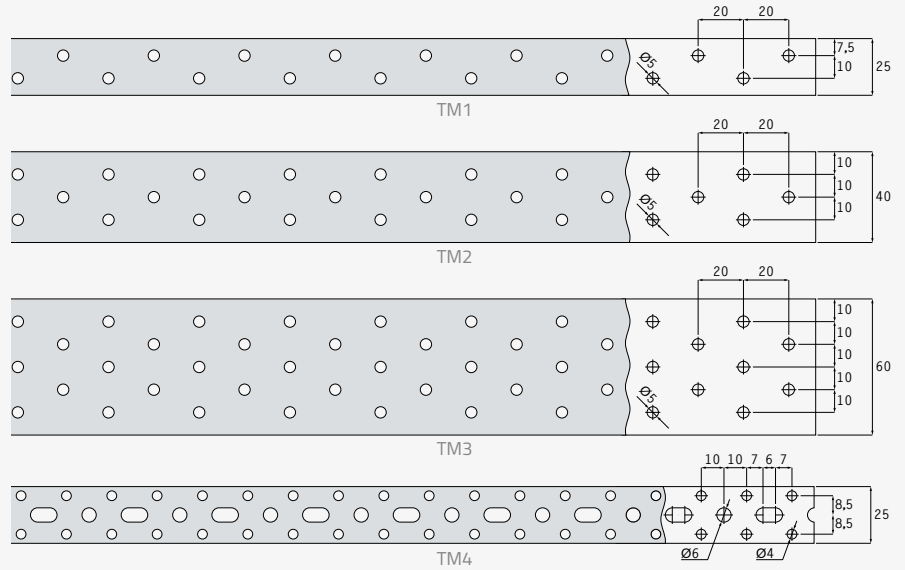
Fixing band



Application Thick bands TM1, TM2, TM3, TM4 are most often used as wind girders for roof stiffening. They are packed in rolls of 10 and 25 meters.

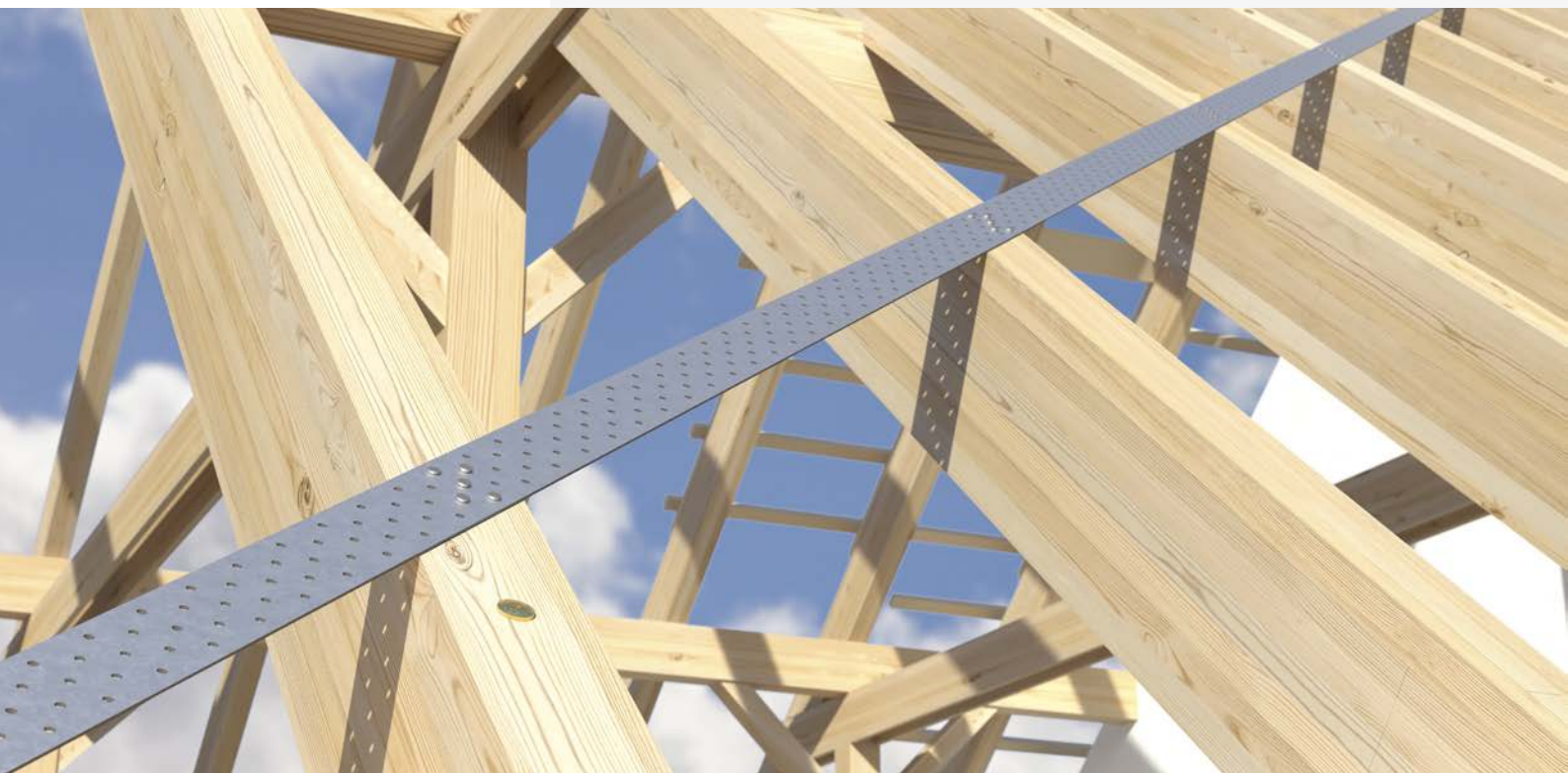
Material DX51D + Z275.

Mounting ANCHOR nails $\phi 4$; ANW – ANCHOR screws $\phi 5$ Torx20 socket.



name	coat.	art no.	dimensions [mm]		holes [mm]			weight [g]	packaging [pcs]
			a	#	$\phi 4$	$\phi 5$	$\phi 6$		
TM 1x10mb	●	43311	25	1,5	–	50	–	2840	1
TM 1x25mb	●	43312	25	1,5	–	50	–	7027	1
TM 2x10mb	●	43321	40	2,0	–	75	–	2840	1
TM 2x25mb	●	43322	40	2,0	–	75	–	7027	1
TM 3x10mb	●	43331	60	2,0	–	125	–	2840	1
TM 3x25mb	●	43332	60	2,0	–	125	–	7027	1
TM 4x10mb	●	43341	25	1,5	100	–	25	2490	1
TM 4x25mb	●	43342	25	1,5	100	–	25	6225	1

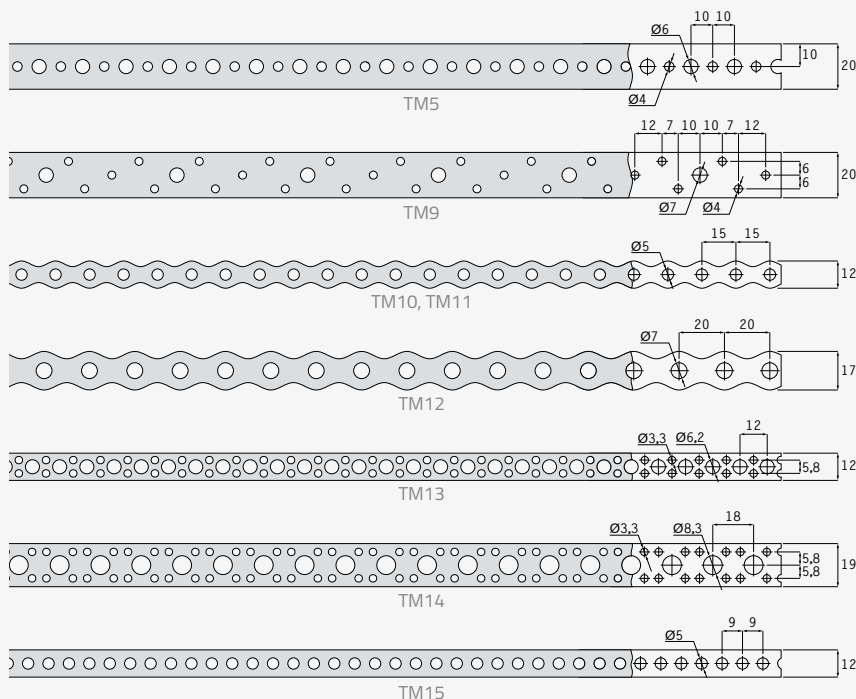
coating:
● DX51D + Z275MAC



Application TM5, TM9–15 bands are made of thin, galvanized steel sheets and are used for fastening, suspending and joining structural and non-structural elements. They are used in multi-material connections. We offer many variants of width and holes, which makes it possible to select the appropriate band for various applications. They are packed in rolls of 3, 10 and 25 meters in convenient cardboard and plastic packages.

Material DX51D + Z275.

Mounting ANCHOR nails $\varnothing 4$; ANW – ANCHOR screws $\varnothing 5$ Torx20 socket.



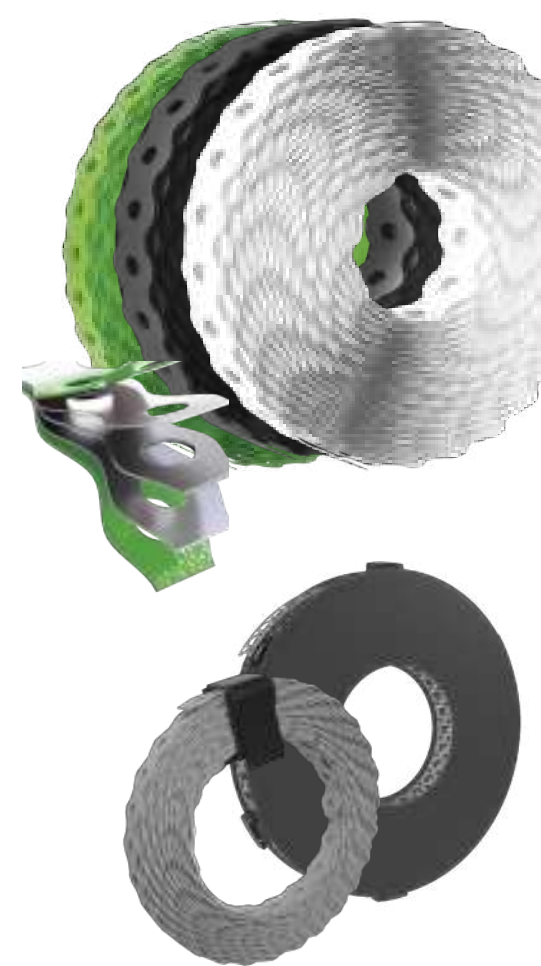
name	coat.	art no.	dim. [mm]		holes [mm]						weight [g]	packaging [pcs]
			a	t	Ø3,3	Ø4	Ø5	Ø6	Ø7	Ø8,3		
TM 5×3mb	●	43353	20	0,9	–	50	–	50	–	–	382	1
TM 5×10mb	●	43351	20	0,9	–	50	–	50	–	–	1226	1
TM 5×25mb	●	43352	20	0,9	–	50	–	50	–	–	3065	1
TM 9×10mb	●	43391	20	1,0	–	100	–	–	20	–	1365	1
TM 9×25mb	●	43392	20	1,0	–	100	–	–	20	–	3413	1
TM 10×3mb	●	43401	12	0,7	–	–	65	–	–	–	147	1
TM 10×10mb	●	43402	12	0,7	–	–	65	–	–	–	490	1
TM 10×25mb	●	43403	12	0,7	–	–	65	–	–	–	1180	1
TM 11×3mb	●	43411	12	0,7	–	–	65	–	–	–	188	1
TM 11×3mb	●	43412	12	0,7	–	–	65	–	–	–	188	1
TM 11×3mb	○	43413	12	0,7	–	–	65	–	–	–	188	1
TM 12×3mb	●	43421	17	0,7	–	–	–	–	50	–	207	1
TM 12×10mb	●	43422	17	0,7	–	–	–	–	50	–	688	1
TM 12×25mb	●	43423	17	0,7	–	–	–	–	50	–	1683	1
TM 13×10mb	●	43431	12	0,7	160	–	–	80	–	–	515	1
TM 13×25mb	●	43432	12	0,7	160	–	–	80	–	–	1265	1
TM 14×3mb	●	43441	19	0,7	160	–	–	–	–	55	244	1
TM 14×10mb	●	43442	19	0,7	160	–	–	–	–	55	826	1
TM 15×3mb	●	43451	12	0,7	–	–	110	–	–	–	175	1
TM 15×10mb	●	43452	12	0,7	–	–	110	–	–	–	616	1

coating:

- DX51D + Z275MAC
- DX51D + Z275MAC + green PVC
- DX51D + Z275MAC + black PVC
- DX51D + Z275MAC + white PVC

TM

Fixing band



LG

Thick connector



Application

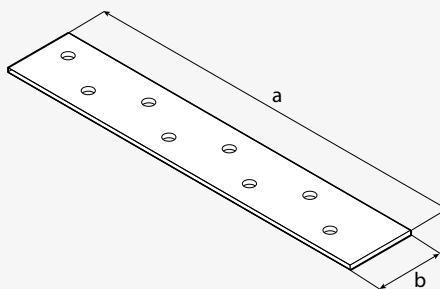
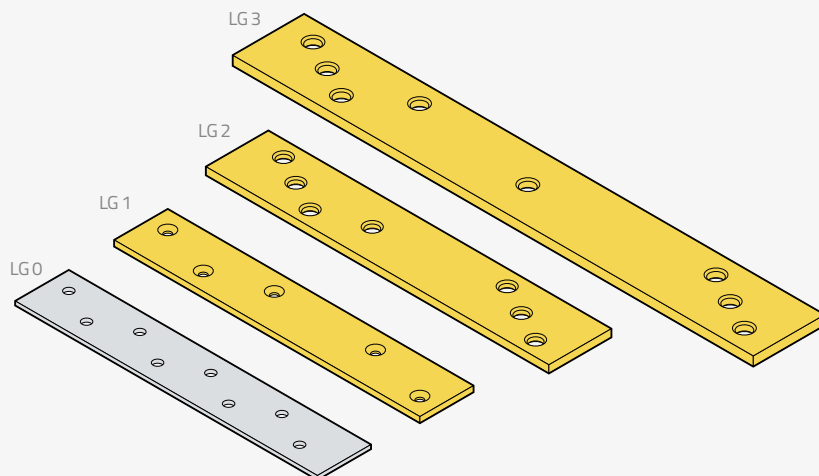
Durable flat connectors made of thick material. A characteristic feature of these products is the arrangement of holes in rows shifted relative to each other, which avoids hammering nails between the same wood fibers, thus reducing the risk of its breakage.

Material

DC01 + yellow galvanization; DX51D + Z275.

Mounting

ANCHOR nails $\phi 4$; ANW – ANCHOR screws $\phi 5$ Torx20 socket; $\phi 4$, $\phi 6$ wood screws.



name	coat.	art no.	dimensions [mm]			holes [mm]				weight [g]	packaging [pcs]
			a	b	#	$\phi 4$	$\phi 5$	$\phi 6,8$	$\phi 7,5$		
LG 0	●	4460	170	30	2,0	–	8	–	–	77	25
LG 1	●	4461	172	30	3,0	5	–	–	–	119	20
LG 2	●	4462	193	35	4,0	–	–	7	–	201	20
LG 3	●	4463	293	40	5,0	–	–	–	8	437	20

coating:
 ● DX51D + Z275MAC
 ● yellow galvanization

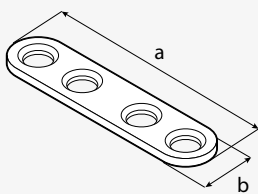
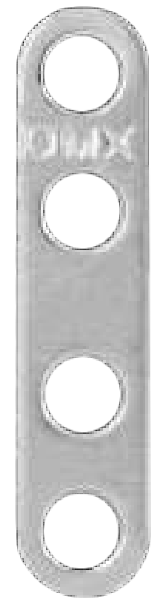
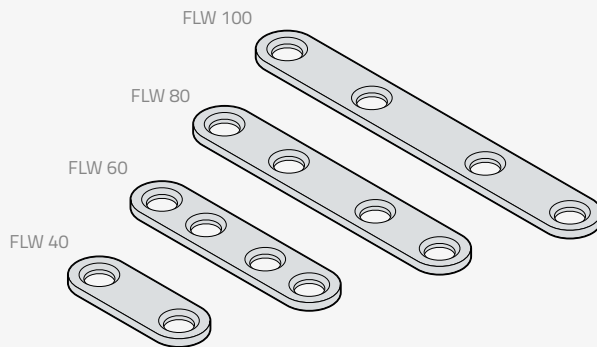
Application Flat connectors for small carpentry and furniture works. Their width allows them to be attached to the narrow sides of boards and boards.

Material DC01 + silver galvanization.

Mounting Ø4 wood screws, euro screws.

FLW

Rounded assembly connector



name	coat.	art no.	dimensions [mm]			holes [mm]		weight [g]	packaging
			a	b	≠	ø6,5			
FLW 40	●	4483114	36,5	13	2,0	2	24	4 à 25 pcs	
FLW 60	●	4483214	56,5	13	2,0	4	35	4 à 25 pcs	
FLW 80	●	4483314	76,5	13	2,0	4	52	4 à 25 pcs	
FLW 100	●	4483414	96,5	13	2,0	4	68	4 à 25 pcs	

coating:
● silver galvanization



LW

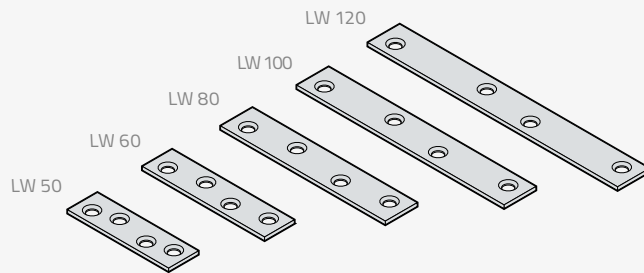
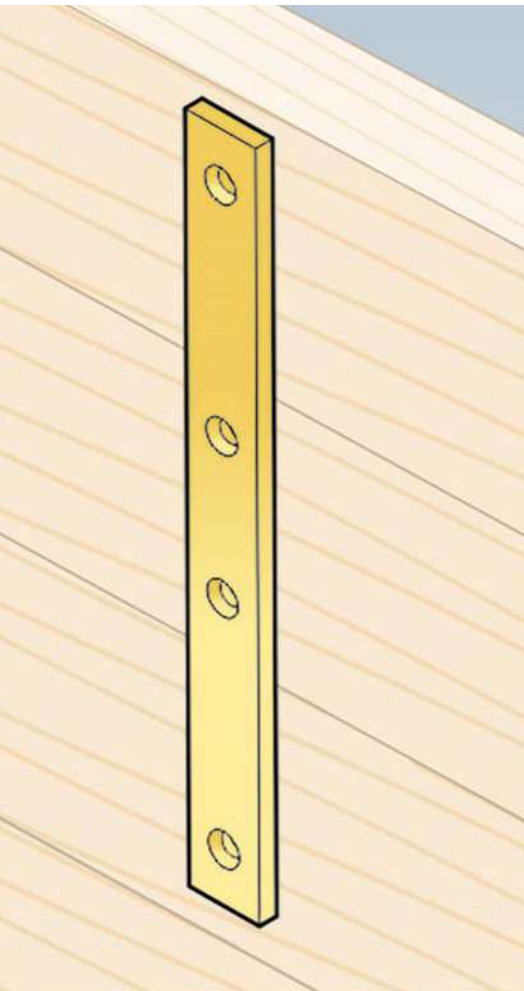
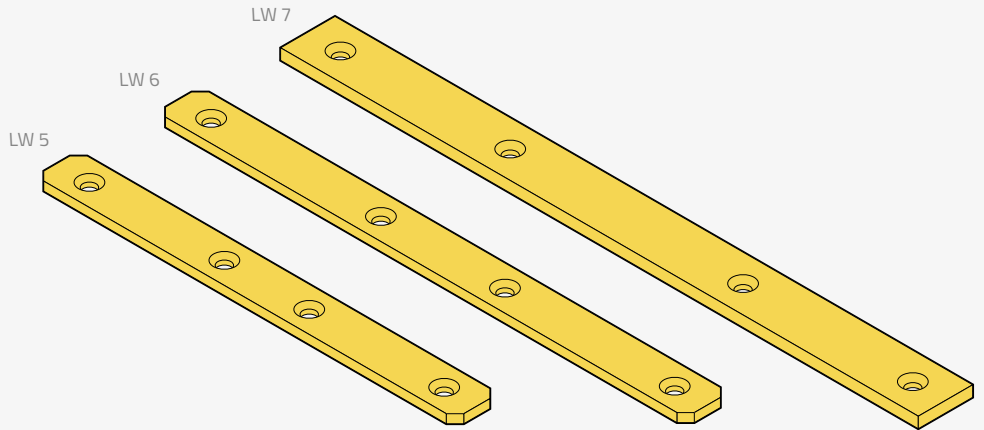
Narrow flat connector



Application Narrow flat connectors for small carpentry and furniture work. Their width allows them to be attached to the narrow sides of boards.

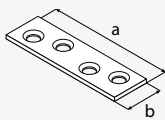
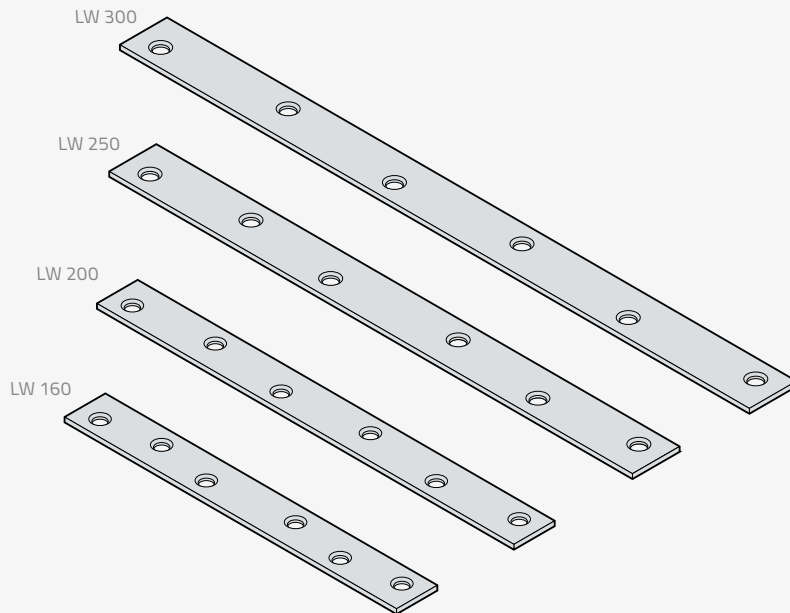
Material DC01 + yellow galvanization; S235 + silver galvanization.

Mounting ANCHOR nails $\varnothing 4$; wood screws $\varnothing 4$, $\varnothing 5$; M5 bolts; M5 concrete anchors.



LW

Narrow flat connector



name	coat.	art no.	dimensions [mm]			holes [mm]		weight [g]	packaging [pcs]
			a	b	≠	ø4,5	ø6		
LW 5	●	4455	193	20	4,0	–	4	116	20
LW 6	●	4456	243	20	4,0	–	4	144	20
LW 7	●	4457	293	25	5,0	–	4	273	20
LW 50	●	4451	48	14	1,5	4	–	9	50
LW 60	●	44516	58	14	1,5	4	–	9	50
LW 80	●	4452	78	15	1,5	4	–	14	50
LW 100	●	4453	98	15	1,5	4	–	24	50
LW 120	●	4454	118	15	1,5	4	–	37	50
LW 160	●	448661	156	19	2,0	6	–	45	20
LW 200	●	448671	196	19	2,0	6	–	57	20
LW 250	●	448681	246	22	2,0	6	–	83	20
LW 300	●	448691	296	22	2,0	6	–	100	20

coating:

- yellow galvanization
- silver galvanization



NA

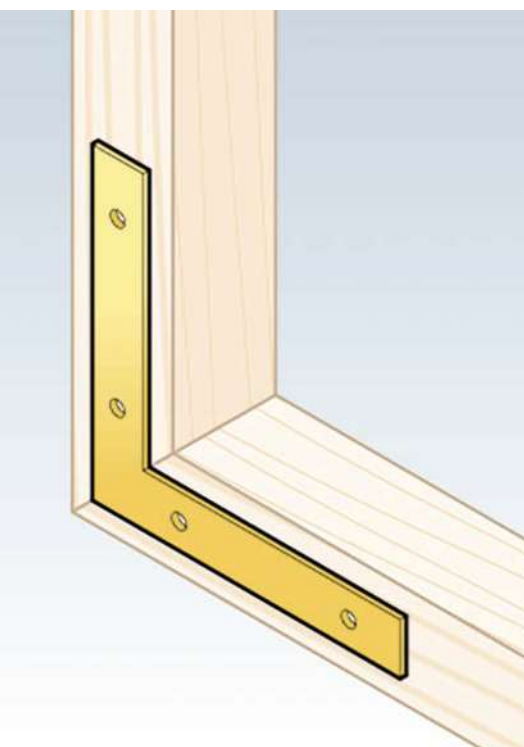
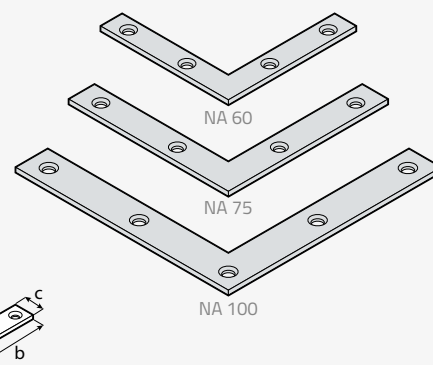
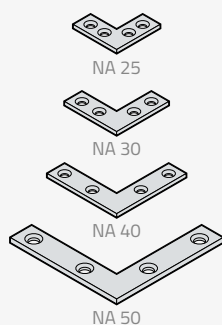
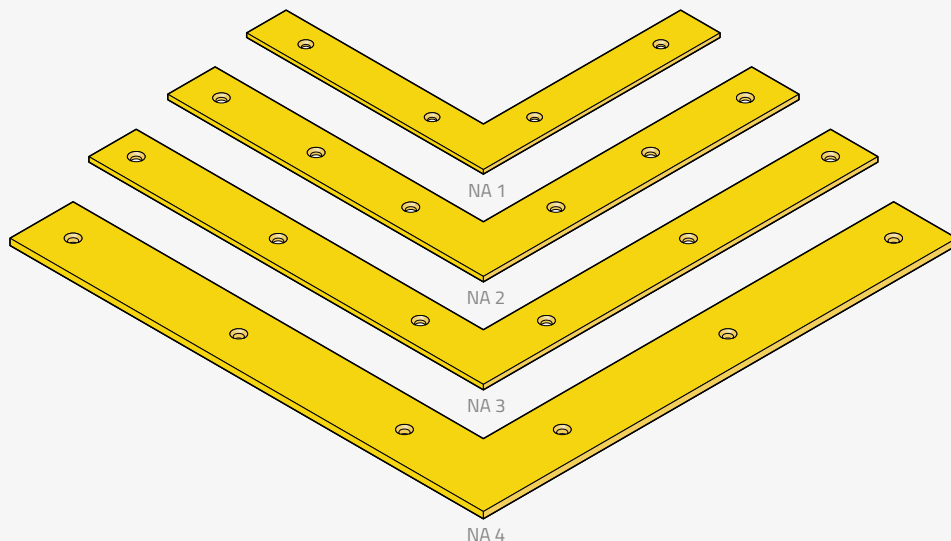
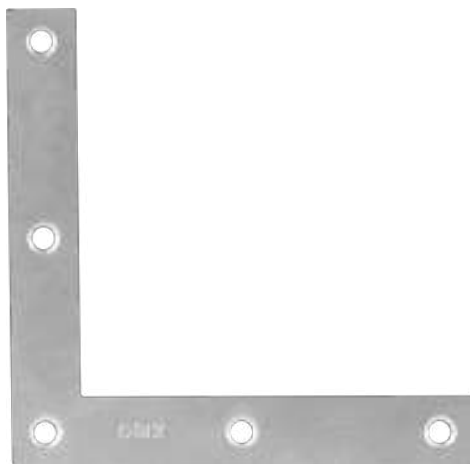
Corener plate



Application Connectors used for the assembly of window and door frames and door frames. They are also perfect as fasteners stiffening the corners of flat elements, such as shutters or door leaves.

Material DC01 + yellow galvanization; DX51D + Z275.

Mounting ANCHOR nails $\varnothing 4$; wood screws $\varnothing 3$, $\varnothing 4$, $\varnothing 5$; M5 bolts.



name	coat.	art no.	dimensions [mm]				holes [mm]					weight [g]	packaging [pcs]
			a	b	c	≠	$\varnothing 3,5$	$\varnothing 4$	$\varnothing 4,5$	$\varnothing 5,5$	$\varnothing 6$		
NA 1	●	4651	150	150	25	2,5	-	-	4	-	-	136	10
NA 2	●	4652	200	200	30	2,5	-	-	-	6	-	218	10
NA 3	●	4653	250	250	30	3,0	-	-	-	6	-	325	10
NA 4	●	4654	300	300	40	4,0	-	-	-	-	6	697	10
NA 25	●	4487114	25	25	10	1,5	4	-	-	-	-	17	4 à 50 pcs
NA 30	●	4487214	30	30	10	1,5	4	-	-	-	-	22	4 à 50 pcs
NA 40	●	4487314	40	40	10	1,5	4	-	-	-	-	32	4 à 50 pcs
NA 50	●	448741	50	50	10	2,0	-	4	-	-	-	14	50
NA 60	●	448751	60	60	10	2,0	-	4	-	-	-	17	50
NA 75	●	448761	75	75	12	2,0	-	4	-	-	-	26	50
NA 100	●	448771	100	100	15	2,0	-	-	5	-	-	43	10

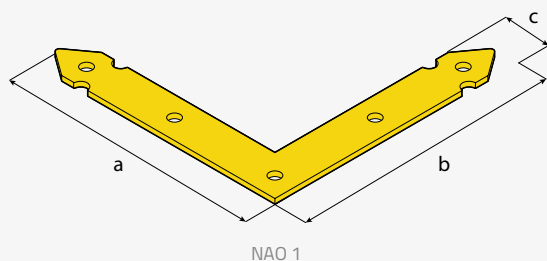
coating:
 ● yellow galvanization
 ● silver galvanization



Application Flat connectors used for the assembly of window and door frames and door frames. They are also perfect as fasteners stiffening the corners of flat elements, such as shutters or door leaves.

Material DCO1 + yellow galvanization.

Mounting ANCHOR nails $\varnothing 4$; $\varnothing 4$ wood screws.

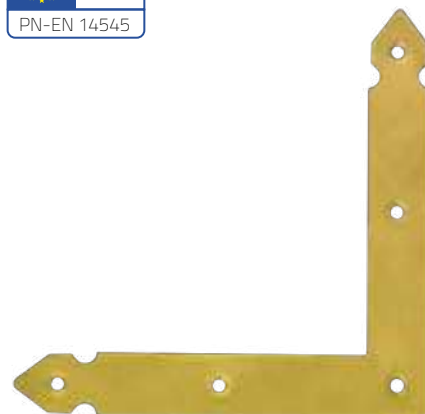


name	coat.	art no.	dimensions [mm]				holes [mm]	weight [g]	packaging [pcs]
			a	b	c	#			
NAO 1	●	4660	150	150	25	2	$\varnothing 4,5$ 5	76	10

coating:
● yellow galvanization

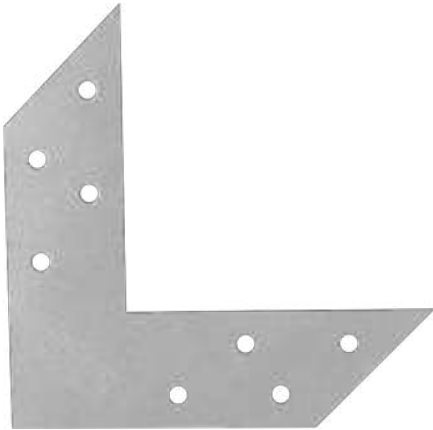
NAO

Decorative
corner plate



NAS

Corner plate



Application

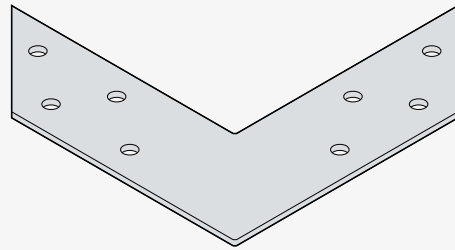
A corner used to connect two mutually perpendicular beams. Useful for assembly where there is no possibility of using angle brackets.

Material

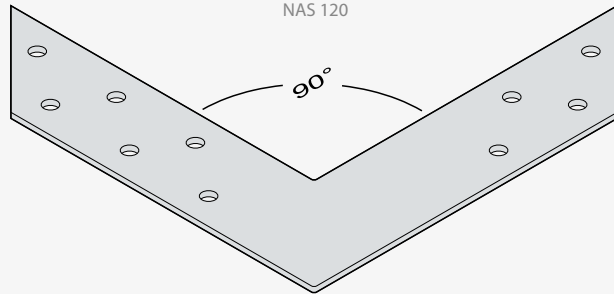
DX51D + Z275.

Mounting

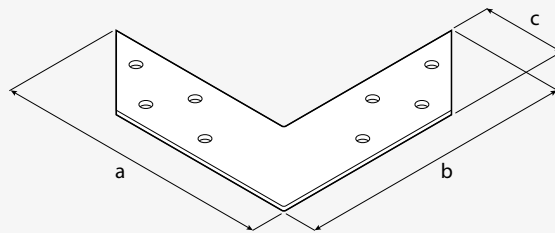
ANCHOR nails $\phi 4$; ANW – ANCHOR screws $\phi 5$ Torx20 socket; $\phi 4$, $\phi 5$ wood screws.



NAS 120



NAS 150



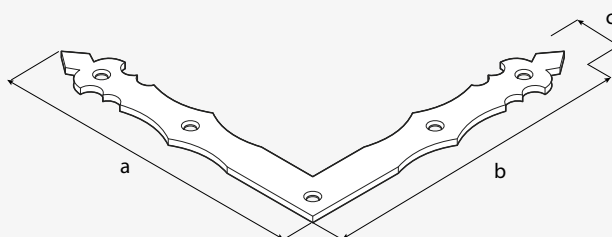
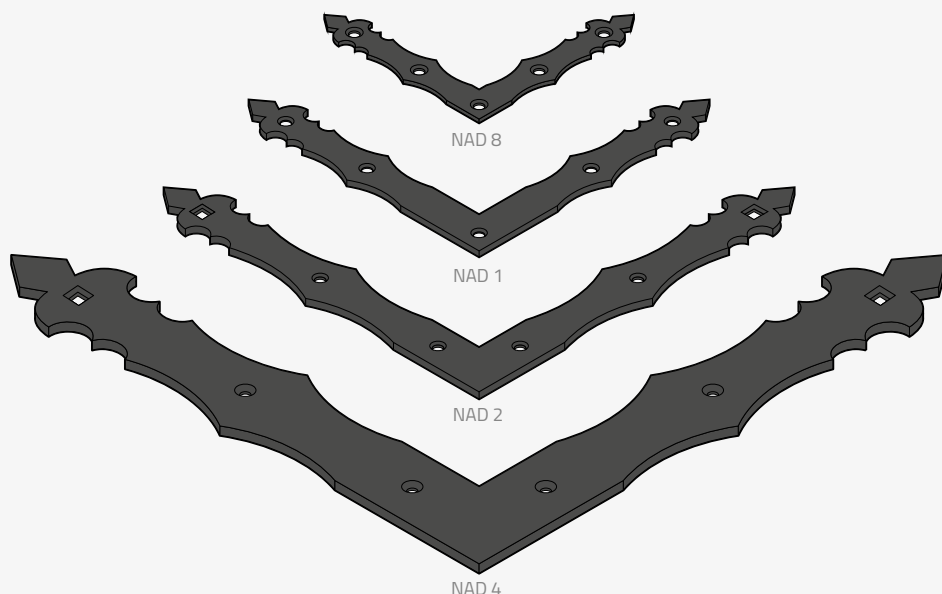
name	coat.	art no.	dimensions [mm]				holes [mm]		weight [g]	packaging [pcs]
			a	b	c	#	$\phi 5$			
NAS 120	●	46501	120	120	35	2,0	8	94	10	
NAS 150	●	46502	150	150	35	2,0	10	123	10	

coating:

- DX51D + Z275MAC

Application Flat connectors used for the assembly of window and door frames and door frames. They are also perfect as fasteners stiffening the corners of flat elements, such as shutters or door leaves. Due to frequent installation in exposed places, their shape and surface finish have been selected so as to fulfill a decorative function at the same time.

Material DC01 + black powder coating.
Mounting 4.5 mm ZAS screws; M5 bolts.



name	coat.	art no.	dimensions [mm]				holes [mm]		weight [g]	packaging [pcs]
			a	b	c	∅	∅5	∅7		
NAD 1	■	89902	150	150	25	2,5	5	–	109	10
NAD 2	■	89912	200	200	30	3,0	4	2	180	10
NAD 4	■	89932	300	300	40	4,0	4	2	610	10
NAD 8	■	89972	100	100	15	2,0	5	–	46	10

coating:
 ■ Duplex black

NAD

Decorative corner plate



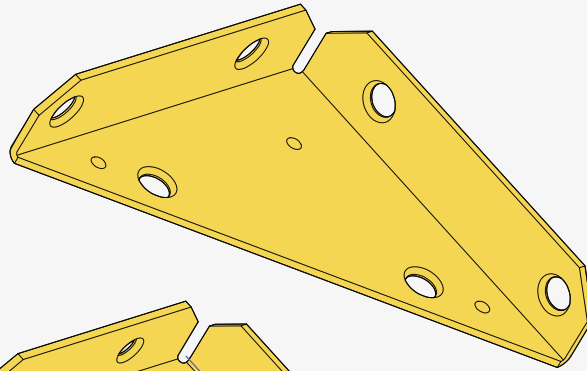
NS

Chest corner

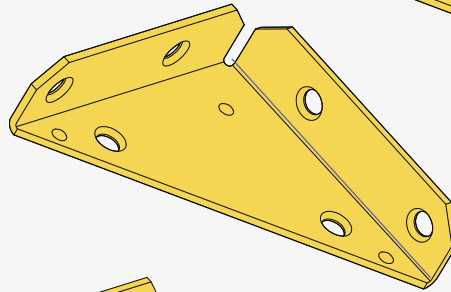
Application Decorative corners are perfect for self-construction of the chest. They have holes for easy assembly and permanent connection using appropriate nails and wood screws.

Material DC01 + yellow galvanization; DC01 + silver galvanization.

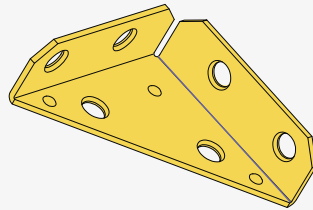
Mounting Wood screws $\varnothing 4$, $\varnothing 5$, $\varnothing 5,5$, $\varnothing 9$.



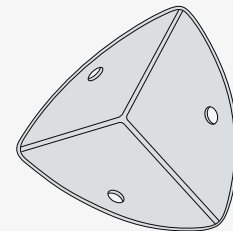
NS 75



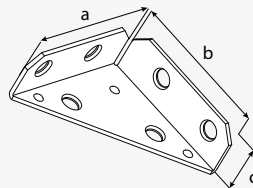
NS 100



NS 50



NS 36



name	coat.	art no.	dimensions [mm]				holes [mm]				weight [g]	pack. [pcs]
			a	b	c	≠	$\varnothing 4,5$	$\varnothing 5,5$	$\varnothing 5,8$	$\varnothing 8,2$		
NS 36	●	8836	36	36	36	1,0	3	-	-	-	21	20
NS 50	●	8833	50	50	16	1,4	-	6	-	-	30	10
NS 75	●	8834	75	75	20	2,0	-	-	6	-	78	10
NS 100	●	8835	100	100	28	2,3	-	-	-	6	164	10

coating:
 ● yellow galvanization
 ● silver galvanization

domax



✓ in our offer

PBK

bolt anchor

see page 312

KT

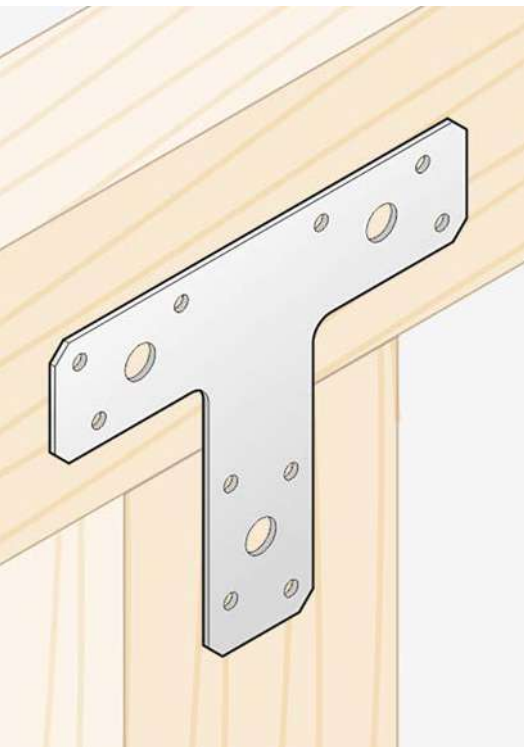
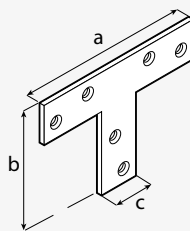
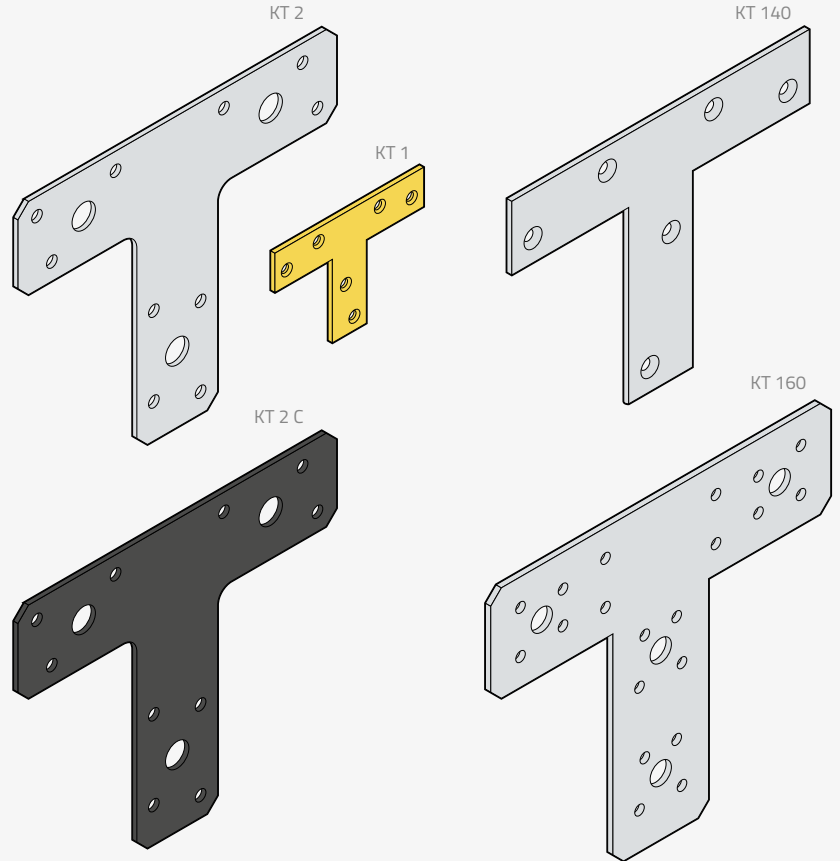
T type connector



Application Used to fix horizontal beams on top of columns. The possibility of connecting three elements at the same time is perfect for columns where two horizontal beams connect.

Material DX51D + Z275; DC01 + yellow galvanization, DX51D + Z275 + black powder coating.

Mounting ANCHOR nails $\phi 4$; ANW – ANCHOR screws $\phi 5$ Torx20 socket; wood screws $\phi 4$, $\phi 10$; bolts M10; M10 concrete anchors.



name	coat.	art no.	dimensions [mm]					holes [mm]					weight [g]	packaging [pcs]
			a	b	c	#	$\phi 3,5$	$\phi 4,5$	$\phi 5$	$\phi 10$	$\phi 11$			
KT 1	●	4626	70	50	16	2,0	6	-	-	-	-	24	50	
KT 2	●	4627	150	127	38	2,0	-	-	10	-	3	131	20	
KT 2 C	■	46272	150	127	38	2,0	-	-	10	-	3	131	10	
KT 140	●	4628	140	110	30	2,0	-	6	-	-	-	101	10	
KT 160	●	4629	160	140	45	2,5	-	20	-	4	-	212	10	

coating:
 ● yellow galvanization
 ● DX51D + Z275MAC
 ■ Duplex black

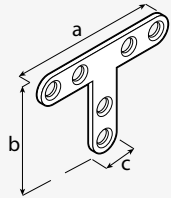
Application Narrow T-type flat bars for small carpentry and furniture work. Their width allows them to be attached to the narrow sides of boards and boards.

Material DC01 + silver galvanization.

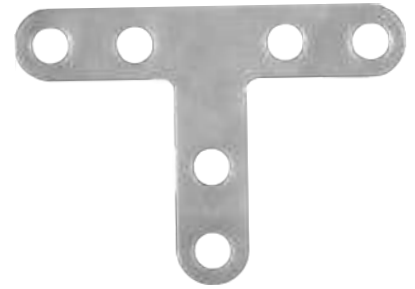
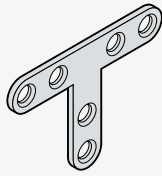
Mounting Ø4 wood screws, euro screws.

FKT

Mounting
connector type "T"



FKT 70/50



name	coat.	art no.	dimensions [mm]				holes [mm]	weight [g]	packaging [pcs]
			a	b	c	≠	ø6,5		
FKT 70/50	●	448411	70	50	13	2,0	6	71	10

coating:

● silver galvanization



WB

Joist hanger



Application

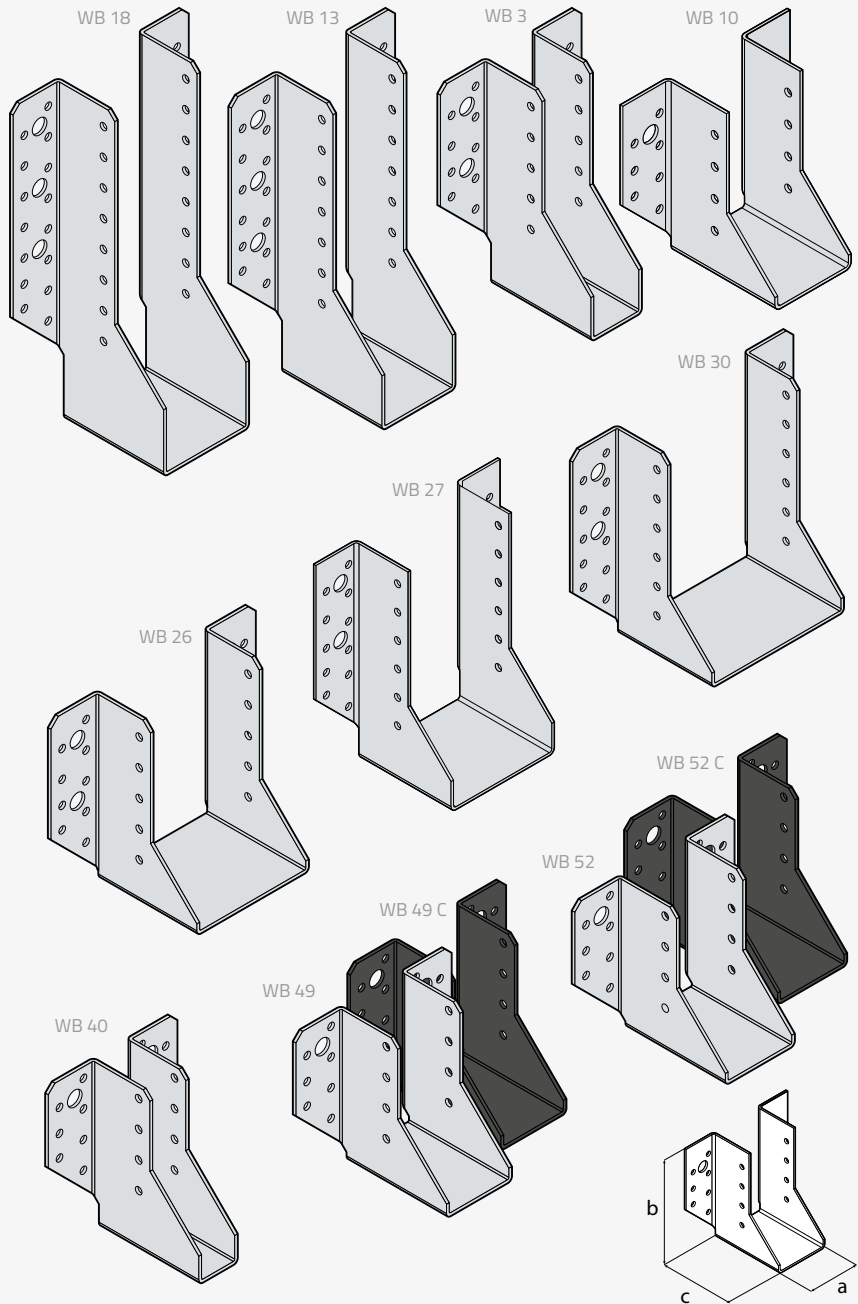
Joist hangers are used to fix ceiling joists. They enable the transfer of heavy loads and at the same time keep the beam in the horizontal plane. Thanks to the use of this type of joint, we can install the beams without the need to overlap them, which reduces the thickness of the entire ceiling.

Material

DX51 + Z275; DX51D + Z275 + black powder coating.

Mounting

ANCHOR nails $\phi 4$; ANW – ANCHOR screws $\phi 5$ Torx20 socket; wood screws $\phi 5, \phi 10$; bolts M10; M10 concrete anchors.



beam width [mm]	name	coat.	art no.	dimensions [mm]				holes [mm]		weight [g]	packaging [pcs]	pattern
				a	b	c	#	$\phi 5$	$\phi 11$			
25	WB 40	●	45401	25	107	75	2,0	22	2	274	10	F
	WB 1	●	4501	25	118	75	2,0	22	2	295	10	A
	WB 41	●	45402	25	146	75	2,0	28	4	363	10	B
28	WB 42	●	45403	28	176	75	2,0	34	4	432	10	C
32	WB 43	●	45404	32	104	75	2,0	22	2	274	10	F
	WB 44	●	45405	32	114	75	2,0	22	2	297	10	A
	WB 45	●	45406	32	144	75	2,0	28	4	363	10	B
	WB 46	●	45407	32	174	75	2,0	34	4	432	10	C

WB

Joist hanger



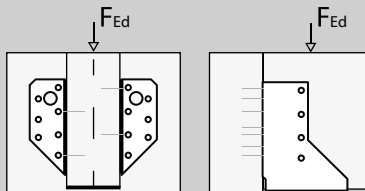
beam width [mm]	name	coat.	art no.	dimensions [mm]				holes [mm]		weight [g]	packaging [pcs]	pattern
				a	b	c	≠	ø5	ø11			
38	WB 47	●	45408	38	101	75	2,0	22	2	274	10	F
	WB 2	●	4502	38	111	75	2,0	22	2	297	10	A
	WB 3	●	4503	38	141	75	2,0	28	4	356	10	B
	WB 4	●	4504	38	171	75	2,0	34	4	435	10	C
41	WB 48	●	45409	41	99	75	2,0	22	2	274	10	F
	WB 5	●	4505	41	110	75	2,0	22	2	297	10	A
	WB 6	●	4506	41	140	75	2,0	28	4	361	10	B
	WB 7	●	4507	41	170	75	2,0	34	4	427	10	C
45	WB 49	●	45410	45	97	75	2,0	22	2	274	10	F
	WB 49 C	■	454102	45	97	75	2,0	22	2	274	6	F
	WB 8	●	4508	45	108	75	2,0	22	2	299	10	A
	WB 9	●	4509	45	138	75	2,0	28	4	367	10	B
	WB 50	●	45411	45	167	75	2,0	34	4	432	10	C
48	WB 51	●	45412	45	197	75	2,0	40	6	498	10	D
	WB 52	●	45413	48	96	75	2,0	22	2	274	10	F
	WB 52 C	■	454132	48	96	75	2,0	22	2	274	6	F
	WB 53	●	45414	48	106	75	2,0	22	2	297	10	A
	WB 54	●	45415	48	136	75	2,0	28	4	363	10	B
	WB 55	●	45416	48	166	75	2,0	34	4	432	10	C
	WB 56	●	45417	48	226	75	2,0	46	6	567	10	E
51	WB 57	●	45418	51	94	75	2,0	22	2	274	10	F
	WB 10	●	4510	51	105	75	2,0	22	2	298	10	A
	WB 11	●	4511	51	135	75	2,0	28	4	368	10	B
	WB 12	●	4512	51	165	75	2,0	34	4	430	10	C
	WB 13	●	4513	51	195	75	2,0	40	6	496	10	D
60	WB 14	●	4514	60	100	75	2,0	22	2	297	10	A
	WB 15	●	4515	60	130	75	2,0	28	4	368	10	B
	WB 16	●	4516	60	160	75	2,0	34	4	437	10	C
	WB 17	●	4517	60	190	75	2,0	40	6	496	10	D
64	WB 18	●	4518	60	220	75	2,0	46	6	568	10	E
	WB 19	●	4519	64	98	75	2,0	22	2	299	10	A
66	WB 20	●	4520	64	128	75	2,0	28	4	363	10	B
	WB 58	●	45419	66	217	75	2,0	46	6	567	10	E
70	WB 21	●	4521	70	125	75	2,0	28	4	371	10	B
	WB 22	●	4522	70	155	75	2,0	34	4	428	10	C
73	WB 59	●	45420	73	123	75	2,0	28	4	363	10	B
	WB 60	●	45421	73	153	75	2,0	34	4	432	10	C
	WB 61	●	45422	73	183	75	2,0	40	6	498	10	D
76	WB 23	●	4523	76	122	75	2,0	28	4	367	10	B
	WB 24	●	4524	76	152	75	2,0	34	4	432	10	C
	WB 25	●	4525	76	182	75	2,0	40	6	499	10	D
80	WB 26	●	4526	80	120	75	2,0	28	4	360	10	B
	WB 27	●	4527	80	150	75	2,0	34	4	434	10	C
	WB 28	●	4528	80	180	75	2,0	40	6	506	10	D
	WB 29	●	4529	80	210	75	2,0	46	6	566	10	E
90	WB 62	●	45423	90	205	75	2,0	46	6	567	10	E
92	WB 39	●	4539	92	144	75	2,0	34	4	434	10	C
98	WB 63	●	45424	98	141	75	2,0	34	4	432	10	C
100	WB 30	●	4530	100	140	75	2,0	34	4	437	10	C
	WB 31	●	4531	100	170	75	2,0	40	6	497	10	D
	WB 32	●	4532	100	200	75	2,0	46	6	574	10	E
115	WB 33	●	4533	115	163	75	2,0	40	6	498	10	D
	WB 34	●	4534	115	193	75	2,0	46	6	572	10	E
120	WB 35	●	4535	120	160	75	2,0	40	6	495	10	D
	WB 36	●	4536	120	190	75	2,0	46	6	576	10	E
140	WB 37	●	4537	140	180	75	2,0	46	6	568	10	E
160	WB 38	●	4538	160	170	75	2,0	46	6	578	10	E

coating:
 ● DX51D + Z275MAC
 ■ Duplex black

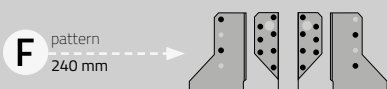
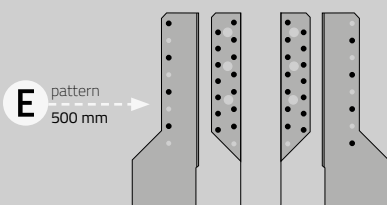
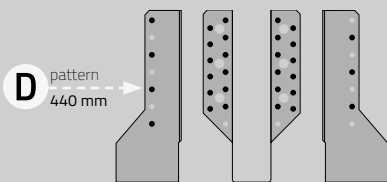
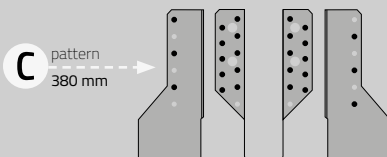
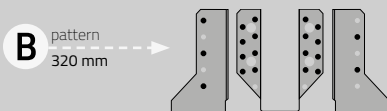
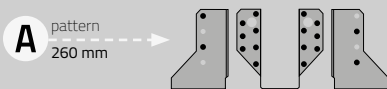
» WB

Joist hanger

Loading capacity scheme



Pattern



Connector	WB 1	WB 2	WB 3	WB 4	WB 5	WB 6	WB 7
Pattern	A	A	B	C	A	B	C
Loading type	pressure	pressure	pressure	pressure	pressure	pressure	pressure
Wood moisture [%]	11±1	11±1	11±1	11±1	11±1	11±1	11±1
Density $p_{mean, 12\%}$ [kg/m ³]	350	350	350	350	350	350	350
$P_{max, mean}$ (350 kg/m ³) [kN]	23,35	23,35	27,7	29,6	23,35	27,7	29,6
$P_{max, k}$ (350 kg/m ³) [kN]	19,0	19,0	20,3	25,45	19,0	20,3	25,45
Fasteners per connection	1**	1**	1**	1**	1**	1**	1**
Determination method	tests	tests	tests	tests	tests	tests	tests
Certificate	ETA 22/0631	ETA 22/0631	ETA 22/0631	ETA 22/0631	ETA 22/0631	ETA 22/0631	ETA 22/0631

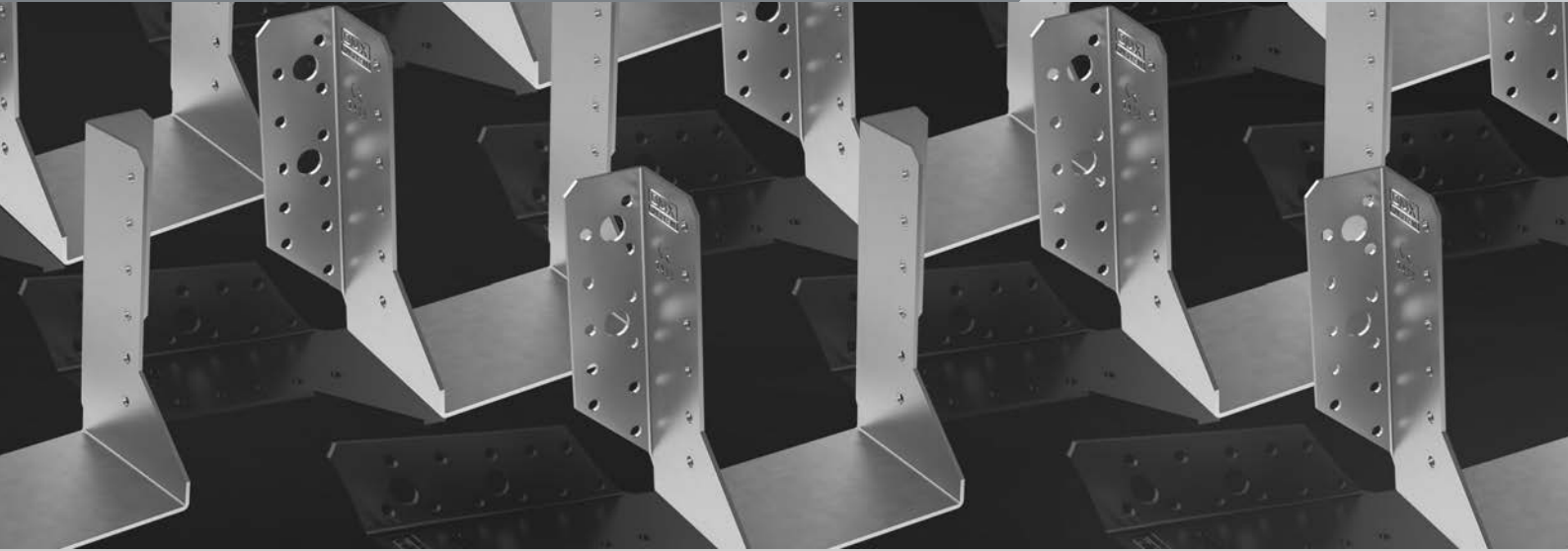
** Forces are for a complete connection including one coupler.

Connector	WB 22	WB 23	WB 24	WB 25	WB 26	WB 27	WB 28
Pattern	C	B	C	D	B	C	D
Loading type	pressure	pressure	pressure	pressure	pressure	pressure	pressure
Wood moisture [%]	11±1	11±1	11±1	11±1	11±1	11±1	11±1
Density $p_{mean, 12\%}$ [kg/m ³]	350	350	350	350	350	350	350
$P_{max, mean}$ (350 kg/m ³) [kN]	29,6	27,7	29,6	32,2	27,7	29,6	32,2
$P_{max, k}$ (350 kg/m ³) [kN]	25,45	20,3	25,45	27,75	20,3	25,45	27,75
Fasteners per connection	1**	1**	1**	1**	1**	1**	1**
Determination method	tests	tests	tests	tests	tests	tests	tests
Certificate	ETA 22/0631	ETA 22/0631	ETA 22/0631	ETA 22/0631	ETA 22/0631	ETA 22/0631	ETA 22/0631

** Forces are for a complete connection including one coupler.

Connector	WB 43	WB 44	WB 45	WB 46	WB 47	WB 48	WB 49
Pattern	F	A	B	C	F	F	F
Loading type	pressure	pressure	pressure	pressure	pressure	pressure	pressure
Wood moisture [%]	-	-	-	-	-	-	-
Density $p_{mean, 12\%}$ [kg/m ³]	C24	C24	C24	C24	C24	C24	C24
$P_{max, mean}$ (350 kg/m ³) [kN]	-	-	-	-	-	-	-
$P_{max, k}$ (350 kg/m ³) [kN]	8,4	8,4	8,4	8,4	9,7	9,6	9,4
Fasteners per connection	1**	1**	1**	1**	1**	1**	1**
Determination method	calculations	calculations	calculations	calculations	calculations	calculations	calculations
Certificate	ETA 18/1165	ETA 18/1165	ETA 18/1165	ETA 18/1165	ETA 18/1165	ETA 18/1165	ETA 18/1165

** Forces are for a complete connection including one coupler.



WB 8	WB 9	WB 10	WB 11	WB 12	WB 13	WB 14	WB 15	WB 16	WB 17	WB 18	WB 19	WB 20	WB 21
A	B	A	B	C	D	A	B	C	D	E	A	B	B
pressure	pressure	pressure	pressure	pressure	pressure	pressure	pressure	pressure	pressure	pressure	pressure	pressure	pressure
11±1	11±1	11±1	11±1	11±1	11±1	11±1	11±1	11±1	11±1	11±1	11±1	11±1	11±1
350	350	350	350	350	350	350	350	350	350	350	350	350	350
23,35	27,7	23,35	27,7	29,6	32,2	23,35	27,7	29,6	32,2	34,9	23,35	27,7	27,7
19,0	20,3	19,0	20,3	25,45	27,75	19,0	20,3	25,45	27,75	32,3	19,0	20,3	20,3
1**	1**	1**	1**	1**	1**	1**	1**	1**	1**	1**	1**	1**	1**
tests	tests	tests	tests	tests	tests	tests	tests	tests	tests	tests	tests	tests	tests
ETA 22/0631	ETA 22/0631	ETA 22/0631	ETA 22/0631	ETA 22/0631	ETA 22/0631	ETA 22/0631	ETA 22/0631	ETA 22/0631	ETA 22/0631	ETA 22/0631	ETA 22/0631	ETA 22/0631	ETA 22/0631

** Forces are for a complete connection including one coupler.

WB 29	WB 30	WB 31	WB 32	WB 33	WB 34	WB 35	WB 36	WB 37	WB 38	WB 39	WB 40	WB 41	WB 42
E	C	D	E	D	E	D	E	E	E	C	F	B	C
pressure	pressure	pressure	pressure	pressure	pressure	pressure	pressure	pressure	pressure	pressure	pressure	pressure	pressure
11±1	11±1	11±1	11±1	11±1	11±1	11±1	11±1	11±1	11±1	–	–	–	–
350	350	350	350	350	350	350	350	350	350	C24	C24	C24	C24
34,9	29,6	32,2	34,9	32,2	34,9	32,2	34,9	34,9	34,9	–	–	–	–
32,3	25,45	27,75	32,3	27,75	32,3	27,75	32,3	32,3	32,3	13,2	6,6	7,4	7,4
1**	1**	1**	1**	1**	1**	1**	1**	1**	1**	1**	1**	1**	1**
tests	tests	tests	tests	tests	tests	tests	tests	tests	tests	calculations	calculations	calculations	calculations
ETA 22/0631	ETA 22/0631	ETA 22/0631	ETA 22/0631	ETA 22/0631	ETA 22/0631	ETA 22/0631	ETA 22/0631	ETA 22/0631	ETA 22/0631	ETA 18/1165	ETA 18/1165	ETA 18/1165	ETA 18/1165

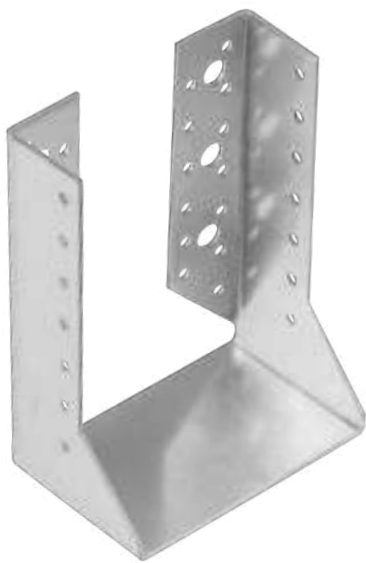
** Forces are for a complete connection including one coupler.

WB 50	WB 51	WB 52	WB 53	WB 54	WB 55	WB 56	WB 57	WB 58	WB 59	WB 60	WB 61	WB 62	WB 63
C	D	F	A	B	C	E	F	E	B	C	D	E	C
pressure	pressure	pressure	pressure	pressure	pressure	pressure	pressure	pressure	pressure	pressure	pressure	pressure	pressure
–	–	–	–	–	–	–	–	–	–	–	–	–	–
C24	C24	C24	C24	C24	C24	C24	C24	C24	C24	C24	C24	C24	C24
–	–	–	–	–	–	–	–	–	–	–	–	–	–
11,8	11,8	9,3	9,3	12,4	12,6	12,6	9,1	17,3	11,2	14,2	18,4	22,9	12,9
1**	1**	1**	1**	1**	1**	1**	1**	1**	1**	1**	1**	1**	1**
calculations	calculations	calculations	calculations	calculations	calculations	calculations	calculations	calculations	calculations	calculations	calculations	calculations	calculations
ETA 18/1165	ETA 18/1165	ETA 18/1165	ETA 18/1165	ETA 18/1165	ETA 18/1165	ETA 18/1165	ETA 18/1165	ETA 18/1165	ETA 18/1165	ETA 18/1165	ETA 18/1165	ETA 18/1165	ETA 18/1165

** Forces are for a complete connection including one coupler.

WBZ

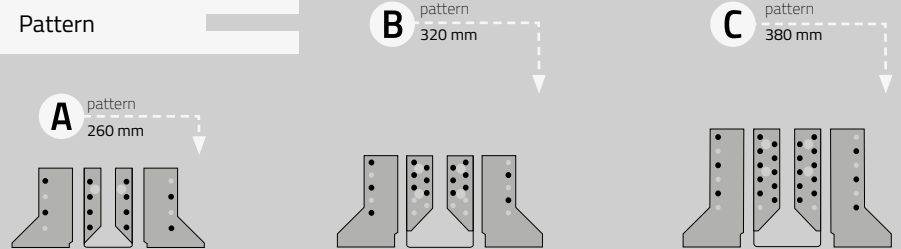
Joist hanger
folded



Application WBZ hangers bent the beam to be fixed in a limited space, especially on narrow poles. Additional large diameters of the mounting holes mean that they can also be used when fixing beams to a concrete wall. Partial covering of the hanger between the joined elements gives a better visual effect. They are made in several sizes corresponding to the beam sections used on the market.

Material DX51D + Z275; DX51D + Z275 + black powder coating.
Mounting ANCHOR nails $\phi 4$; ANW – ANCHOR screws $\phi 5$ Torx20 socket; wood screws $\phi 10$; bolts M10; M10 concrete anchors.

beam width [mm]	name	coat.	art no.	dimensions [mm]				holes [mm]		weight [g]	packaging [pcs]	pattern
				a	b	c	≠	$\phi 5$	$\phi 11$			
45	WBZ 49	●	4579	45	97	75	2,0	16	2	241	10	F
	WBZ 49 C	■	45792	45	97	75	2,0	16	2	241	6	F
48	WBZ 52	●	4580	48	96	75	2,0	16	2	241	10	F
	WBZ 52 C	■	45802	48	96	75	2,0	16	2	241	6	F
	WBZ 54	●	4581	48	136	75	2,0	20	2	321	10	B
60	WBZ 14	●	4560	60	100	75	2,0	16	2	267	10	A
70	WBZ 21	●	4561	70	125	75	2,0	28	4	363	10	B
	WBZ 22	●	4562	70	155	75	2,0	34	4	432	10	C
76	WBZ 23	●	4563	76	122	75	2,0	28	4	361	10	B
	WBZ 24	●	4564	76	152	75	2,0	34	4	434	10	C
	WBZ 25	●	4565	76	182	75	2,0	40	6	501	10	D
80	WBZ 26	●	4566	80	120	75	2,0	28	4	357	10	B
	WBZ 27	●	4567	80	150	75	2,0	34	4	429	10	C
	WBZ 28	●	4568	80	180	75	2,0	40	6	499	10	D
	WBZ 29	●	4569	80	210	75	2,0	46	6	568	10	E
100	WBZ 30	●	4570	100	140	75	2,0	34	4	430	10	C
	WBZ 31	●	4571	100	170	75	2,0	40	6	499	10	D
	WBZ 32	●	4572	100	200	75	2,0	46	6	568	10	E
115	WBZ 33	●	4573	115	163	75	2,0	40	6	490	10	D
	WBZ 34	●	4574	115	193	75	2,0	46	6	578	10	E
120	WBZ 35	●	4575	120	160	75	2,0	40	6	496	10	D
	WBZ 36	●	4576	120	190	75	2,0	46	6	583	10	E
140	WBZ 37	●	4577	140	180	75	2,0	46	6	575	10	E
160	WBZ 38	●	4578	160	170	75	2,0	46	6	567	10	E

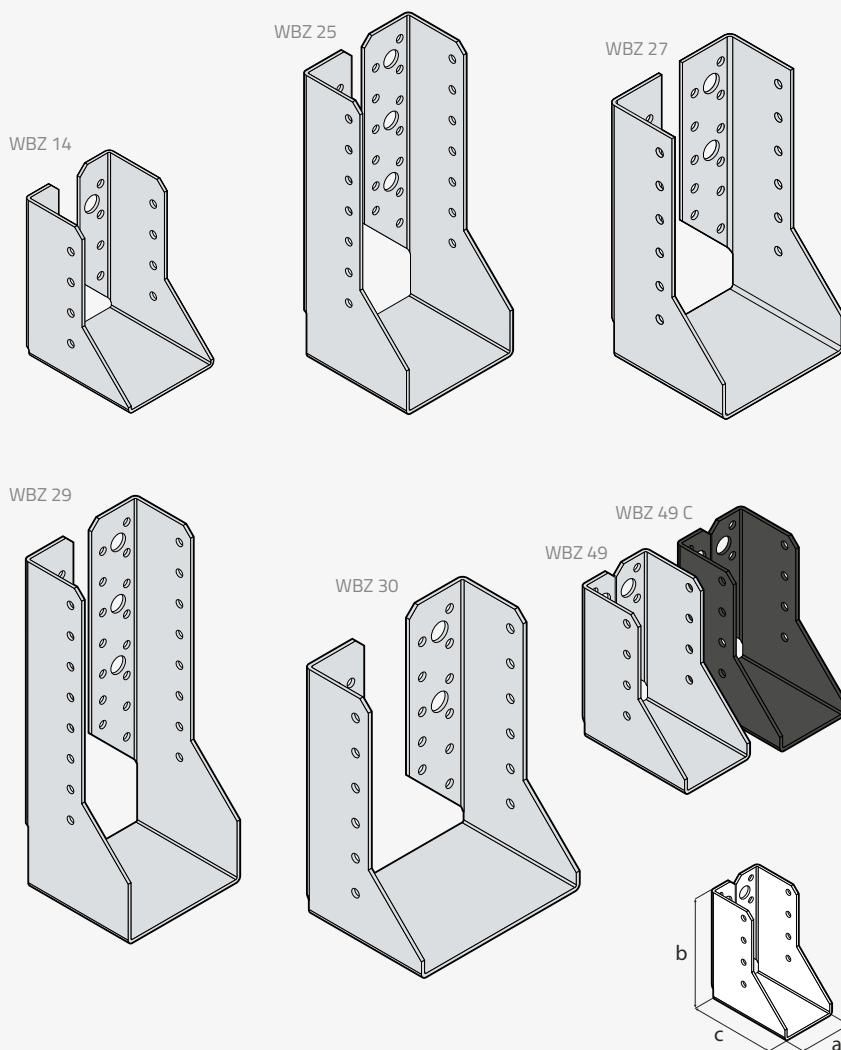


Connector	WBZ 14	WBZ 21	WBZ 22	WBZ 23	WBZ 24	WBZ 25	WBZ 26
Pattern	A	B	C	B	C	D	B
Loading type	pressure	pressure	pressure	pressure	pressure	pressure	pressure
Wood moisture [%]	–	11±1	11±1	11±1	11±1	11±1	11±1
Density $\rho_{mean, 12\%}$ [kg/m ³]	C24	350	350	350	350	350	350
$P_{max, mean (350 kg/m^3)}$ [kN]	–	22,40	34,15	22,40	34,15	37,5	22,40
$P_{max, k (350 kg/m^3)}$ [kN]	9,3	17,15	23,65	17,15	23,65	30,95	17,15
Fasteners per connection	1**	1**	1**	1**	1**	1**	1**
Determination method	calculations	tests	tests	tests	tests	tests	tests
Certificate	ETA 15/0725	ETA 22/0631	ETA 22/0631	ETA 22/0631	ETA 22/0631	ETA 22/0631	ETA 22/0631

** Forces are for a complete connection including one coupler.

WBZ

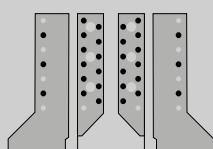
Joist hanger
folded



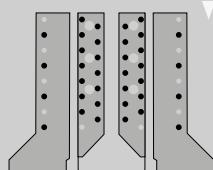
coating:
 ● DX51D + Z275MAC
 ■ Duplex black



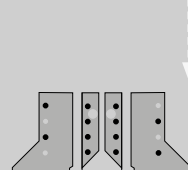
D pattern
440 mm



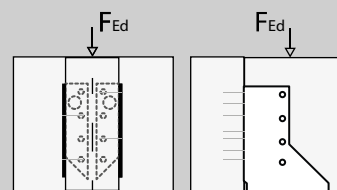
E pattern
500 mm



F pattern
240 mm



Loading capacity scheme



WBZ 27	WBZ 28	WBZ 29	WBZ 30	WBZ 31	WBZ 32	WBZ 33	WBZ 34	WBZ 35	WBZ 36	WBZ 37	WBZ 38	WBZ 49	WBZ 52	WBZ 54
C	D	E	C	D	E	D	E	D	E	E	E	F	F	B
pressure	pressure	pressure	pressure	pressure	pressure	pressure	pressure	pressure	pressure	pressure	pressure	pressure	pressure	pressure
11±1	11±1	11±1	11±1	11±1	11±1	11±1	11±1	11±1	11±1	11±1	—	—	—	—
350	350	350	350	350	350	350	350	350	350	350	C24	C24	C24	C24
34,15	37,5	31,25	34,15	37,5	31,25	37,5	31,25	37,5	31,25	31,25	—	—	—	—
23,65	30,95	28,65	23,65	30,95	28,65	30,95	28,65	30,95	28,65	28,65	16,2	4,8	4,8	5,8
1**	1**	1**	1**	1**	1**	1**	1**	1**	1**	1**	1**	1**	1**	1**
tests	tests	tests	tests	tests	tests	tests	tests	tests	tests	tests	calculations	calculations	calculations	calculations
ETA 22/0631	ETA 22/0631	ETA 22/0631	ETA 22/0631	ETA 22/0631	ETA 22/0631	ETA 22/0631	ETA 22/0631	ETA 22/0631	ETA 22/0631	ETA 22/0631	ETA 18/1165	ETA 18/1165	ETA 18/1165	ETA 18/1165

WBD

Joist hanger
divided



Application

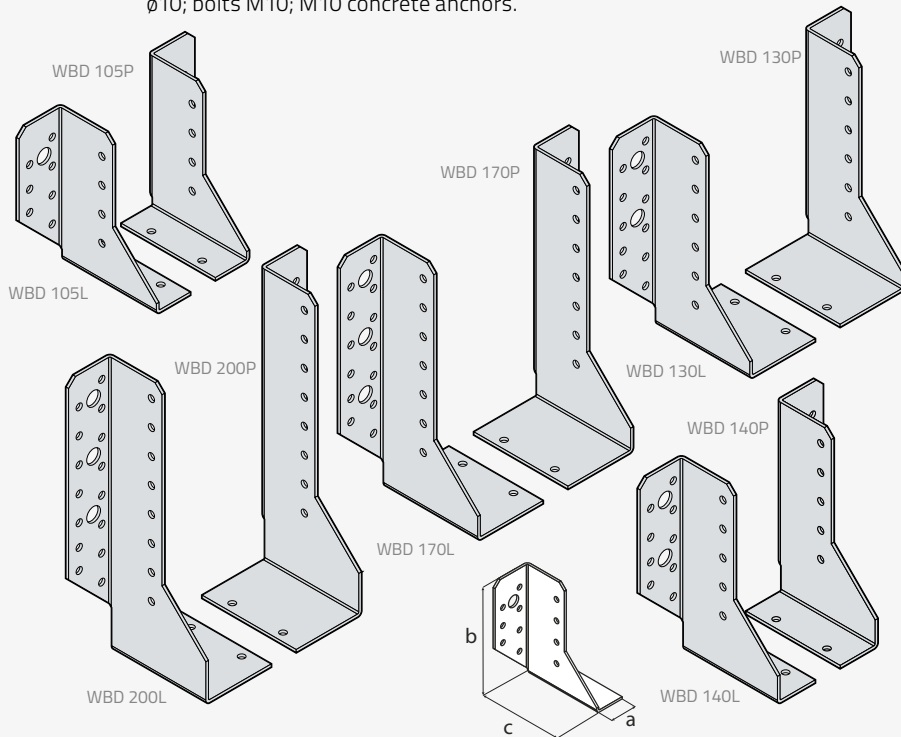
The split WBD hanger arrangement allows the installation of non-standard sized beams. They are made in several sizes corresponding to the beam sections used on the market. Additional large diameters of the holes make them also suitable for attaching beams to a concrete wall.

Material

DX51D + Z275.

Mounting

ANCHOR nails $\phi 4$; ANW – ANCHOR screws $\phi 5$ Torx20 socket; wood screws $\phi 10$; bolts M10; M10 concrete anchors.



name	coat.	art no.	dimensions [mm]				holes [mm]		weight [g]	packaging [pcs]
			a	b	c	≠	$\phi 5$	$\phi 11$		
WBD 105 L	●	4543	25	105	75	2,0	13	1	145	10
WBD 105 P	●	4544	25	105	75	2,0	13	1	145	10
WBD 130 L	●	4551	28	130	75	2,0	16	2	183	10
WBD 130 P	●	4552	28	130	75	2,0	16	2	183	10
WBD 140 L	●	4545	50	140	75	2,0	19	2	215	10
WBD 140 P	●	4546	50	140	75	2,0	19	2	215	10
WBD 170 L	●	4547	50	170	75	2,0	22	2	245	10
WBD 170 P	●	4548	50	170	75	2,0	22	2	245	10
WBD 200 L	●	4549	50	200	75	2,0	25	3	280	10
WBD 200 P	●	4550	50	200	75	2,0	25	3	280	10

coating:

● DX51D + Z275MAC



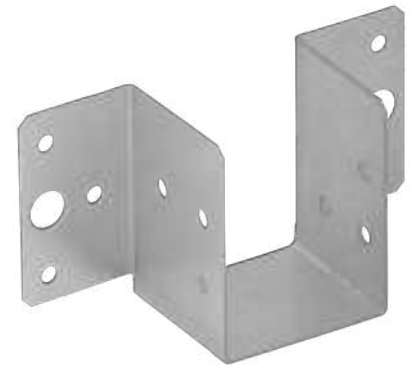
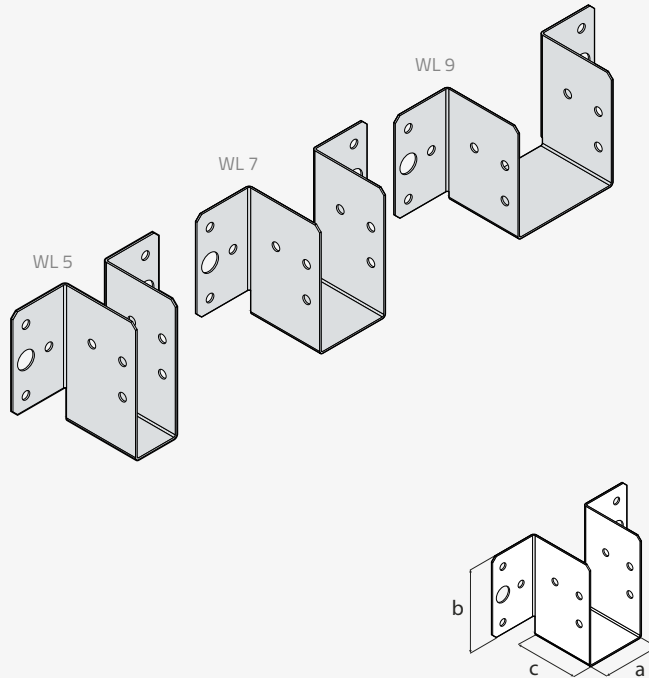
Connector	Loading capacity scheme					Nailing scheme				
	WBD 105 L	WBD 105 P	WBD 130 L	WBD 130 P	WBD 140 L	WBD 140 P	WBD 170 L	WBD 170 P	WBD 200 L	WBD 200 P
Loading type	pressure	pressure	pressure	pressure	pressure	pressure	pressure	pressure	pressure	pressure
Wood moisture [%]	11±1	11±1	11±1	11±1	11±1	11±1	11±1	11±1	11±1	11±1
Density $\rho_{mean, 12\%}$ [kg/m ³]	350	350	350	350	350	350	350	350	350	350
$P_{max,mean}$ (350 kg/m ³) [kN]	29,12	29,12	29,12	29,12	29,12	29,12	29,12	29,12	29,12	29,12
$P_{max,k}$ (350 kg/m ³) [kN]	26,96	26,96	26,96	26,96	26,96	26,96	26,96	26,96	26,96	26,96
Fasteners per connection	2*	2*	2*	2*	2*	2*	2*	2*	2*	2*
Determination method	tests	tests	tests	tests	tests	tests	tests	tests	tests	tests
Certificate	ETA 22/0631	ETA 22/0631	ETA 22/0631	ETA 22/0631	ETA 22/0631	ETA 22/0631	ETA 22/0631	ETA 22/0631	ETA 22/0631	ETA 22/0631

* Forces are given for a complete joint with two connectors, so the force per connector (one angle) is half of the value listed.

Application Beam hangers for light construction applications. Additional large diameters of the holes make them also suitable for attaching beams to a concrete wall.

Material DX51D + Z275.

Mounting ANCHOR nails $\phi 4$; ANW – ANCHOR screws $\phi 5$ Torx20 socket; wood screws $\phi 10$; bolts M10; M10 concrete anchors.



symbol	coat.	art no.	dimensions [mm]				holes [mm]		weight [g]	packaging [pcs]
			a	b	c	\neq	$\phi 5$	$\phi 11$		
WL 5	●	4555	25	77	45	1,0	14	2	91	10
WL 6	●	4556	38	71	45	1,0	14	2	91	10
WL 7	●	4557	41	70	45	1,0	14	2	91	10
WL 8	●	4558	51	65	45	1,0	14	2	91	10
WL 9	●	4559	60	60	45	1,0	14	2	91	10

coating:
● DX51D + Z275MAC



Loading capacity scheme					
	WL 5	WL 6	WL 7	WL 8	WL 9
Connector	WL 5	WL 6	WL 7	WL 8	WL 9
Loading type	pressure	pressure	pressure	pressure	pressure
Wood moisture [%]	–	–	–	–	–
Density $\rho_{mean, 12\%}$ [kg/m ³]	C24	C24	C24	C24	C24
$P_{max, mean}$ (350 kg/m ³) [kN]	15,5	15,5	15,5	15,5	15,5
$P_{max, k}$ (350 kg/m ³) [kN]	14,29	14,29	14,29	14,29	14,29
Fasteners per connection	1**	1**	1**	1**	1**
Determination method	tests	tests	tests	tests	tests
Certificate	ETA 22/0631	ETA 22/0631	ETA 22/0631	ETA 22/0631	ETA 13/0124

** Forces are for a complete connection including one coupler.

SK

Construction anchor

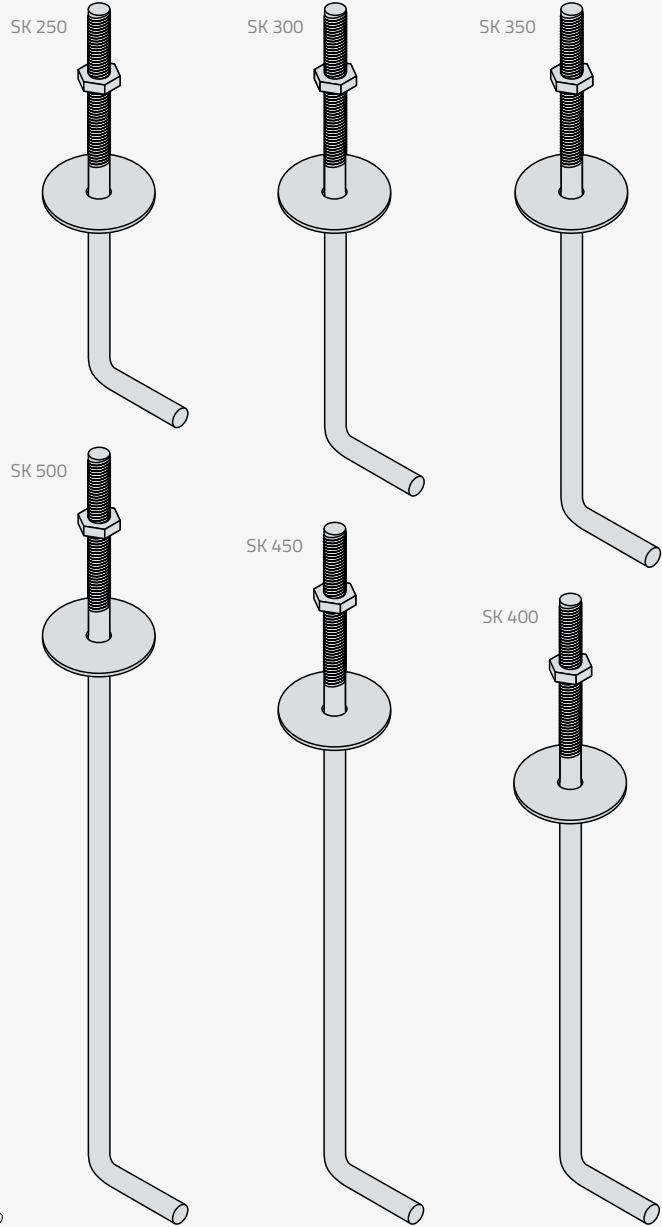


Application

SK construction anchors are designed for anchoring horizontal wooden elements in concrete. Mainly used for the installation of wall boards and ground beams.

Material

S235 + oil film.



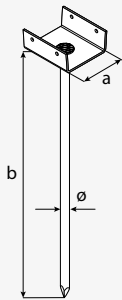
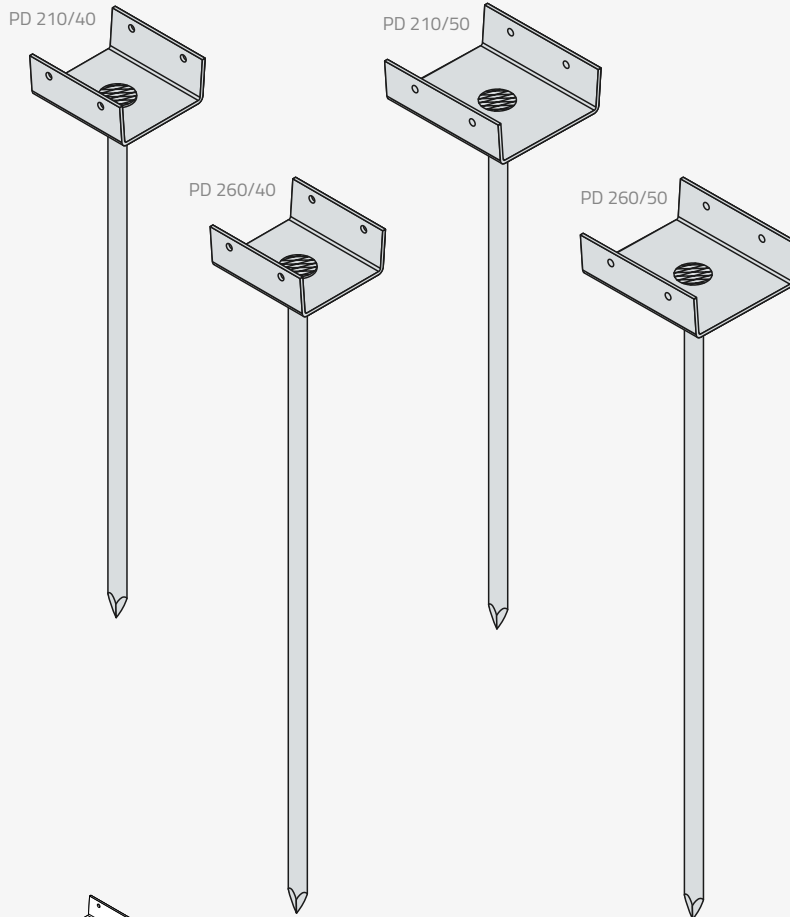
name	coat.	art no.	dimensions [mm]		weight [g]	packaging [pcs]
			a	D		
SK 250	●	7882	250	M12	288	10
SK 300	●	7883	300	M12	320	10
SK 350	●	7884	350	M12	362	10
SK 400	●	7885	400	M12	393	10
SK 450	●	7886	450	M12	429	10
SK 500	●	7887	500	M12	467	10

coating:
● oil film

Application Supports of the ridge batten enable quick leveling and stable fastening of the batten.

Material S235 + hot dip galvanization.

Mocowanie ANCHOR nails; $\phi 3$ wood screws.



name	coat.	art no.	dimensions [mm]				holes [mm]		weight [g]	packaging [pcs]
			a	b	ϕ	\neq	$\phi 3$			
PD 210/40	●	4613	40	210	7	1,5	4	126	10	
PD 210/50	●	4610	50	210	7	1,5	4	130	10	
PD 260/40	●	4614	40	260	7	1,5	4	139	10	
PD 260/50	●	4611	50	260	7	1,5	4	145	10	
PD 310/40	●	4615	40	310	7	1,5	4	153	10	
PD 310/50	●	4612	50	310	7	1,5	4	162	10	

coating:
 ● hot-dip galvanization

PD

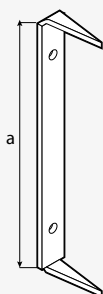
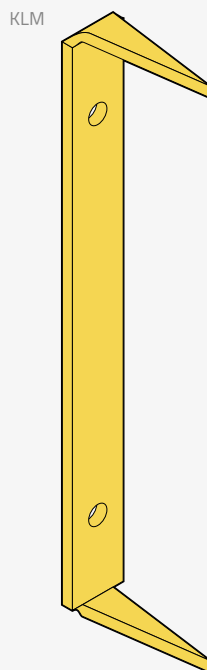
Roof batten support



KLM

Beam clamp

Application Universal beam connectors.
Material S235 + yellow galvanization.
Mounting ANCHOR nails $\phi 4$; ANW – ANCHOR screws $\phi 5$ Torx20 socket; $\phi 4$ wood screws.



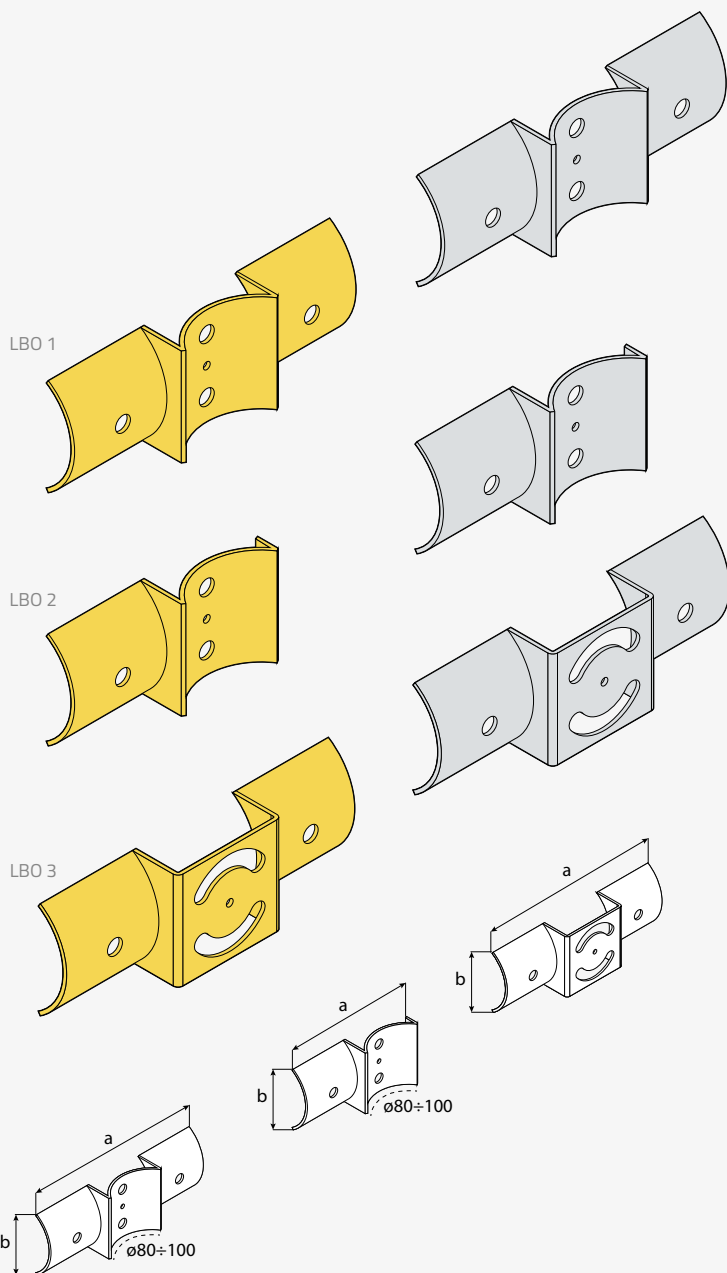
name	coat.	art no.	dimensions [mm]		holes [mm]	weight [g]	packaging [pcs]
			a	φ	φ5		
KLM	●	4630	250	5,0	2	273	10

coating:
 ● yellow galvanization

Application A connector for quick assembly of round beams with a diameter of 80 to 100 mm at the required angle. Strengthens the structure.

Material DC01 + yellow galvanization; DX51D + Z275.

Mounting Wood screws $\phi 5$, $\phi 10$; coach screws PWD $\phi 10$.



LBO

Circle beam
connector



see the
instructional
video



name	coat.	art no.	dimensions [mm]			holes [mm]			weight [g]	pack. [pcs]
			a	b	≠	$\phi 5$	$\phi 10,5$	10,5x38		
LBO 1	●	4927	203	68	2,5	1	4	–	288	10
	●	49272	203	68	2,5	1	4	–	320	10
LBO 2	●	4928	145	68	2,5	1	3	–	362	10
	●	49282	145	68	2,5	1	3	–	393	10
LBO 3	●	4929	200	58	2,5	1	2	2	429	10
	●	49292	200	58	2,5	1	2	–	467	10

coating:

- yellow galvanization
- DX51D + Z275MAC



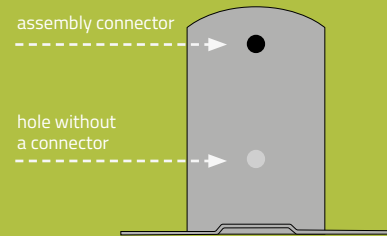
POST SUPPORTS



see the
presentation
video

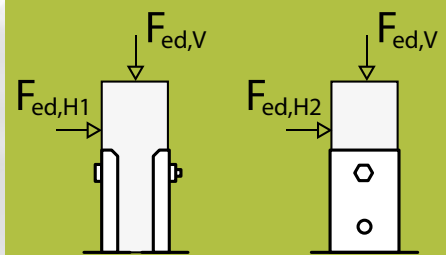
NAILING SCHEMES

The tables in this catalogue contain a **DOMAX®** support-to-post connection diagram complying with the requirements of **EN 1995 – Eurocode 5**. This standard specifies the parameters for the positioning of the connectors, such as the distances between the connectors or their minimum distance from the edge of the beam. Adherence to these standards made it possible to carry out the necessary calculations and strength tests to determine the load-bearing capacity of the **DOMAX®** supports.



LOADING CAPACITY SCHEMES

Zgodnie z zalecaniami **EAD 130186-00-0603** przeprowadzone badania i obliczenia powinny odzwierciedlać zachowanie złącza występujące w praktycznym zastosowaniu. W związku z dużą różnorodnością typów wyrobów opracowaliśmy (w oparciu o EAD) różne schematy obciążeń, symulujące zachowanie danego złącza w praktyce. Do przygotowania testowych schematów obciążeń wybraliśmy połączenia pozwalające na weryfikację zachowań złącz w **optymalnym i najbardziej reprezentatywnym** zastosowaniu danego produktu.



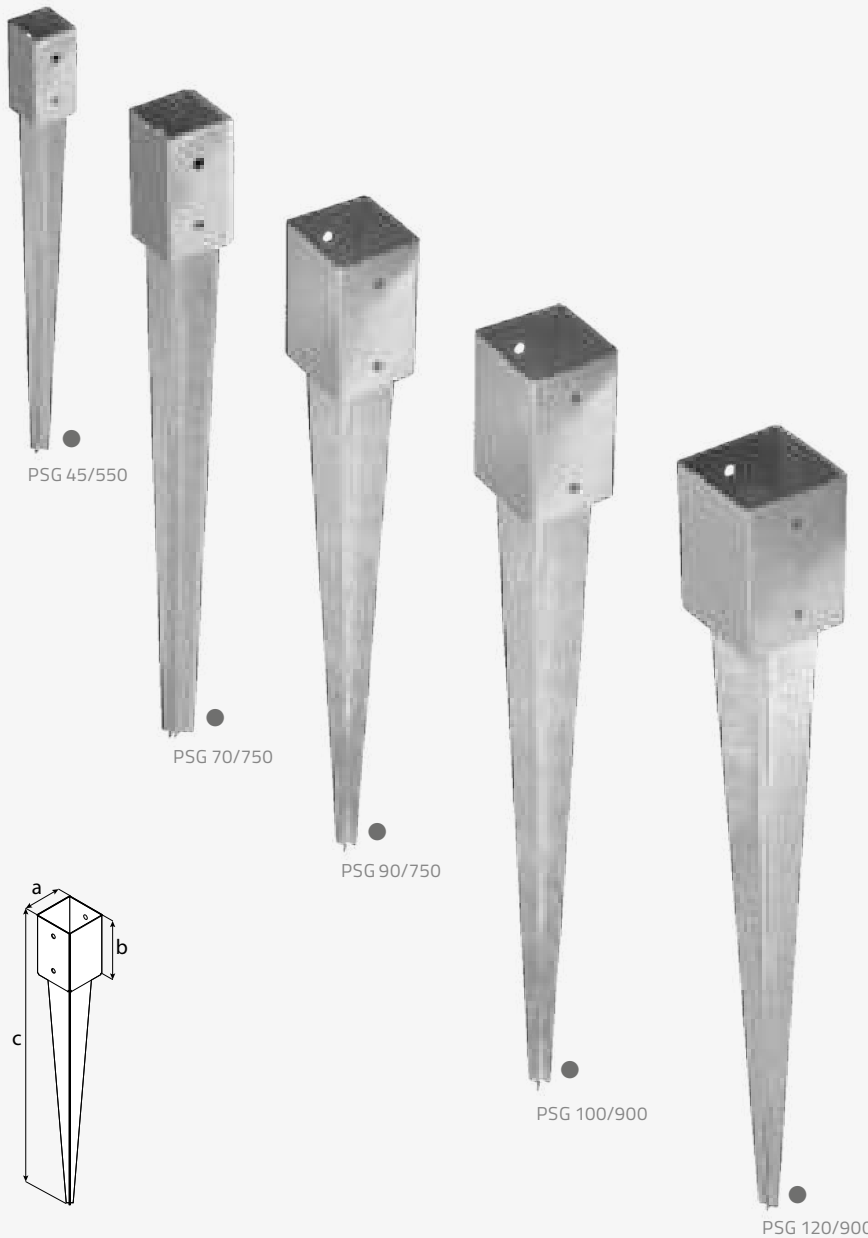
Application The PSG post support allows the installation of timber elements in the ground. It ensures adequate dilatation of the wood from the substrate.

Material S235 + hot dip zinc.

Mounting Wood: wood screws – CTO $\varnothing 8$, $\varnothing 10$; coach screws PWD $\varnothing 10$.

PSG

Drive-in post support



name	coat.	art no.	dimensions [mm]				holes [mm]		weight [g]	pack. [pcs]
			a	b	c	≠	$\varnothing 9$	$\varnothing 11$		
PSG 45/550	●	4816	46	100	550	1,5	4	–	640	20
PSG 70/750	●	4821	71	150	750	1,8	–	4	1420	20
PSG 90/750	●	4822	91	150	750	1,8	–	4	1783	16
PSG 100/900	●	4824	101	150	900	1,8	–	4	2050	12
PSG 120/900	●	4827	121	150	900	1,8	–	4	2800	1

coating:
● hot dip zinc

PSGR

Adjustable drive-in post support



Application

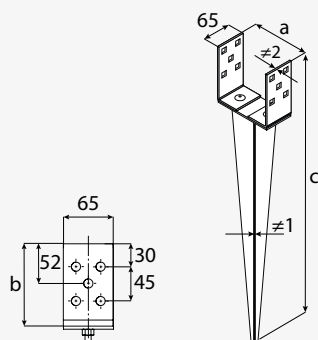
The post support for installing timber elements in the ground. It has an adjustable width from 0 to 120 mm. Thanks to its design, it allows using beams with custom dimensions.

Material

S235 + hot dip zinc.

Mounting

Wood: wood screws - CTO ϕ 10; wood screws - PWD ϕ 10; M10 metric screw.



PSGR 0-120/700

name	coat.	art no.	dimensions [mm]					holes [mm]	weight [g]	pack. [pcs]
			a	b	c	$\neq 1$	$\neq 2$	$\phi 12$		
PSGR 0-120/700	●	4817	0-120	108	812	2,0	4,0	10	1930	8

coating:
● hot dip zinc



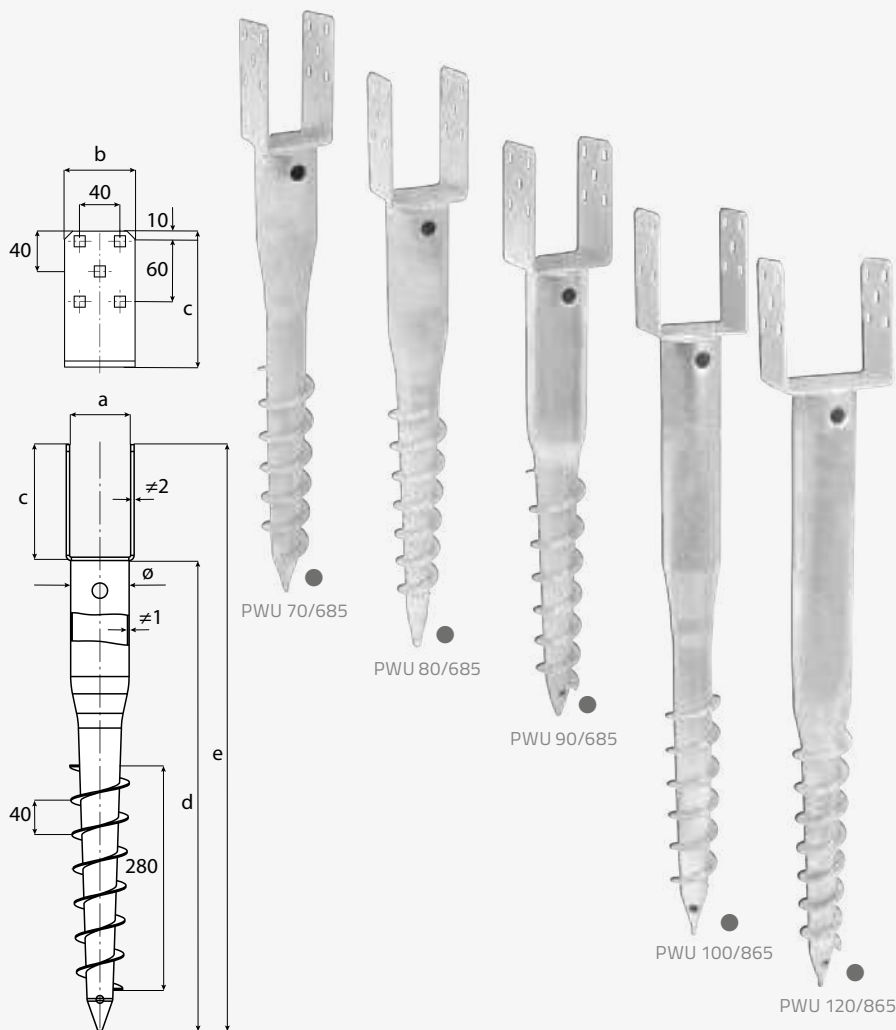
PWU
application



Application Post support for installing timber elements in the ground, for use in a wide variety of timber structures without the need for concrete foundations.

Material S235 + hot dip zinc.

Mounting Wood: wood screws - CTO $\phi 10$; wood screws - PWD $\phi 10$; steel: M10 metric screws.



name	coat.	art no.	dimensions [mm]								holes [mm]	weight [g]	pack. [pcs]
			a	b	c	d	e	ø	≠1	≠2			
PWU 70/685	●	48291	71	40	40	40	685	68	1,8	4,0	10	2050	6
PWU 80/685	●	48292	81	40	60	40	685	68	1,8	4,0	10	2130	6
PWU 90/685	●	48293	91	40	60	40	685	68	1,8	4,0	10	2200	6
PWU 100/865	●	48294	101	40	60	40	865	68	1,8	4,0	10	2750	6
PWU 120/865	●	48295	121	40	60	40	865	68	1,8	4,0	10	2970	6

coating:
● hot dip zinc

load data*	clay			gravel			sand		
	↓ kN	↑ kN	↔ kN	↓ kN	↑ kN	↔ kN	↓ kN	↑ kN	↔ kN
PWU 70/685	5,7	3,7	2,2	8,9	6,0	1,1	10,0	5,6	1,1
PWU 80/685	5,7	3,7	2,2	8,9	6,0	1,1	10,0	5,6	1,1
PWU 90/685	5,7	3,7	2,2	8,9	6,0	1,1	10,0	5,6	1,1
PWU 100/865	7,7	5,0	3,0	11,9	8,0	1,5	13,3	7,5	1,5
PWU 120/865	7,7	5,0	3,0	11,9	8,0	1,5	13,3	7,5	1,5

↓ kN vertical thrust ↑ kN vertical pull-out force ↔ kN horizontal displacement force

* The values given are indicative. Before fixing the structure, it is advisable to carry out a test under local conditions and/or carry out relevant strength calculations.

PWU

Screw-in post support



see the instructional video



assembly
PWU
see page 122

PWG

Screw-in post support
(with no accessories)



Application

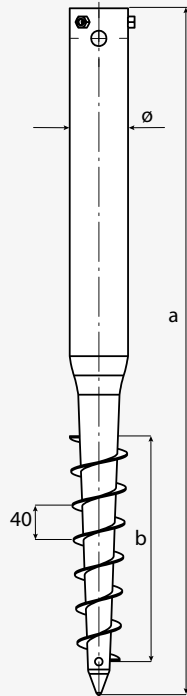
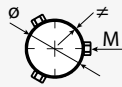
Basic model of lightweight post support. It has a circular base. It can be screwed in with a metal rod, without the use of special tools, and can also be dismantled and reused.

Material

S235 + hot dip zinc.

Mounting

Steel: M5, M8 metric screws.



name	coat.	art no.	dimensions [mm]				holes [mm]	weight [g]	pack. [pcs]
			a	b	ø	≠	M		
PWG 60/550	●	482821	550	200	60	1,7	M5	1 120	6
PWG 68/650	●	482831	650	280	68	1,8	M8	1 620	6
PWG 68/800	●	482832	800	280	68	1,8	3×M8	2 200	1

coating:
● hot dip zinc

load data*	clay			gravel			sand		
	↓ kN	↑ kN	↔ kN	↓ kN	↑ kN	↔ kN	↓ kN	↑ kN	↔ kN
PWG 60/550	2,6	1,8	0,7	4,3	2,8	0,5	4,7	2,8	0,4
PWG 68/650	3,2	2,2	0,9	5,4	3,5	0,7	5,9	3,5	0,5
PWG 68/800	8,4	5,5	3,3	13,1	8,8	1,7	14,6	8,3	1,7

↓ kN vertical thrust ↑ kN vertical pull-out force ↔ kN horizontal displacement force

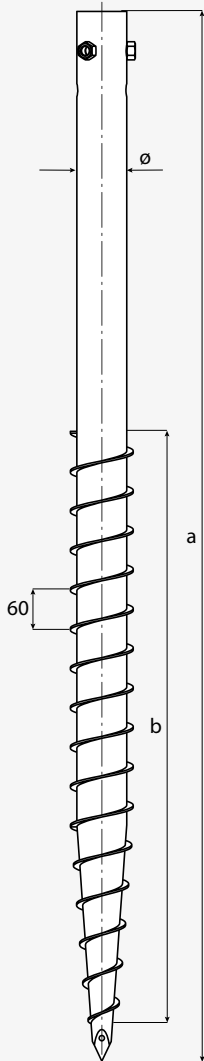
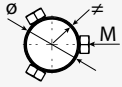
* The values given are indicative. Before fixing the structure, it is advisable to carry out a test under local conditions and/or carry out relevant strength calculations.

assembly
PWG
see page 104, 114–115, 122–123

Application A heavy screw base with a circular cross-section designed for heavy loads. Thanks to its large size, it allows to mount the constructions on sloping terrain. It is used to assemble structures based on round poles, such as lamps, photovoltaic panels or basketball backboards.

Material S235 + hot dip zinc.

Mounting Stal: M12, M16 metric screws.



PWG 89/1000

PWG 76/1600

name	coat.	art no.	dimensions [mm]				holes [mm]		weight [g]	pack. [pcs]
			a	b	ø	ø	M			
PWG 76/1600	●	482833	1600	900	76	3,0	3 × M16	10080	1	
PWG 89/1000	●	482834	1000	480	89	3,0	4 × M12	12420	1	

coating:
● hot dip zinc

load data*	clay			gravel			sand		
	↓ kN	↑ kN	↔ kN	↓ kN	↑ kN	↔ kN	↓ kN	↑ kN	↔ kN
PWG 76/1600	30,8	19,6	8,4	30,3	20,8	6,4	32,9	20,2	5,9
PWG 89/1000	17,6	11	5,8	18,7	13,6	2,5	21	12,9	2,1

↓ kN vertical thrust ↑ kN vertical pull-out force ↔ kN horizontal displacement force

* The values given are indicative. Before fixing the structure, it is advisable to carry out a test under local conditions and/or carry out relevant strength calculations.

PWG

Screw-in post support
(with no accessories)



see the
instructional
video



PWOM

Horizontal beam mounting lid



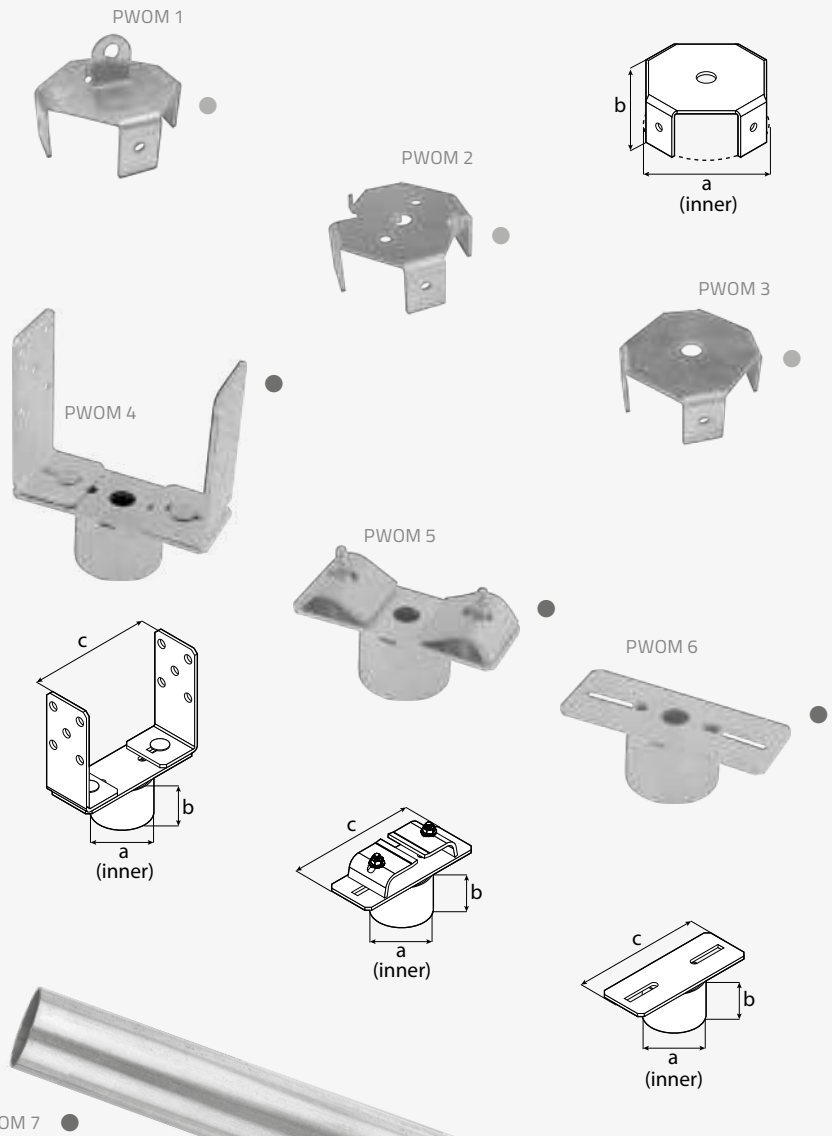
see the instructional video



Application Mounting lids for $\phi 68$ screw bases, e.g. PWG 68/650, PWG 68/800. The available accessories extend the usability of the standard screw bases so that they can be used in even more constructions. There are adaptors for attaching fence stays, trampolines or trusses.

Material DX51D + Z275; S235 + hot dip zinc.

Mounting Wood: $\phi 5$ wood screws; steel: M8, M10 metric screws; $\phi 4.8$ metal self-drilling screws.

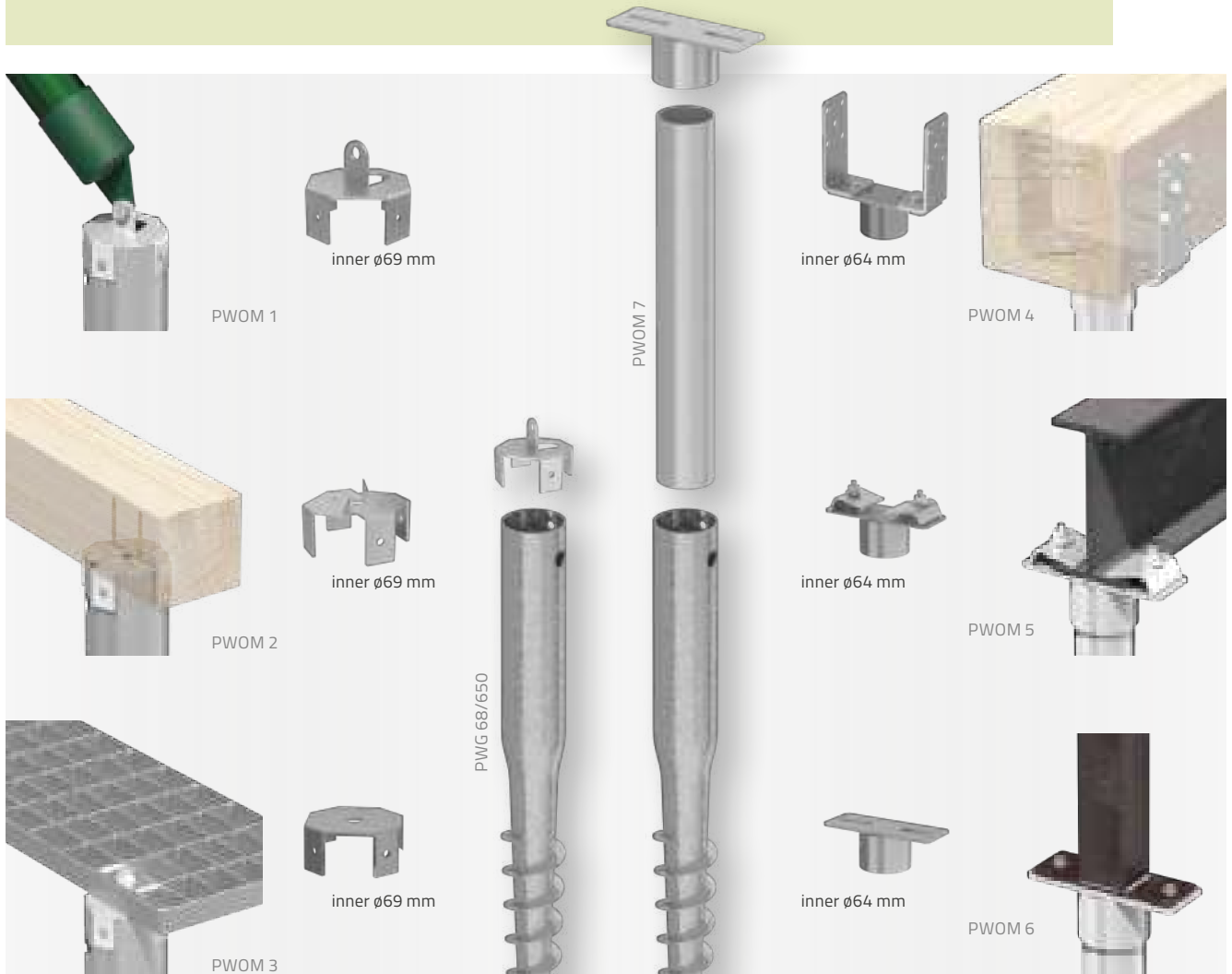


name	coat.	art no.	dimensions [mm]				holes [mm]					weight [g]	pack. [pcs]
			a	b	c	≠	$\phi 5$	$\phi 6$	$\phi 8$	$\phi 11$	9/4,5		
PWOM 1	●	482993	$\phi 69$	30	–	2,0	4	–	1	–	–	89	6
PWOM 2	●	482994	$\phi 69$	30	–	2,0	4	2	–	1	–	87	6
PWOM 3	●	482995	$\phi 69$	30	–	2,0	4	–	–	1	–	91	6
PWOM 4	●	4829961	$\phi 64$	50	60–200	4,0	–	–	–	10	–	1030	1
PWOM 5	●	4829962	$\phi 64$	50	160	4,0	–	–	–	–	–	660	1
PWOM 6	●	4829963	$\phi 64$	50	160	4,0	–	–	–	–	1	440	1
PWOM 7	●	4829964	$\phi 60$	1200	–	2,0	–	–	–	–	–	3430	1

coating:
 ● DX51D + Z275MAC
 ● hot dip zinc

ASSEMBLY PWG+PWOM

The available accessories extend the usability of the standard screw bases so that they can be used in even more constructions. The range includes adapters for attaching fence stays, trampolines, trusses and also for connecting an anchor to an I-beam or timber beam.



PWO

Screw-in
post support
with spacer



Application

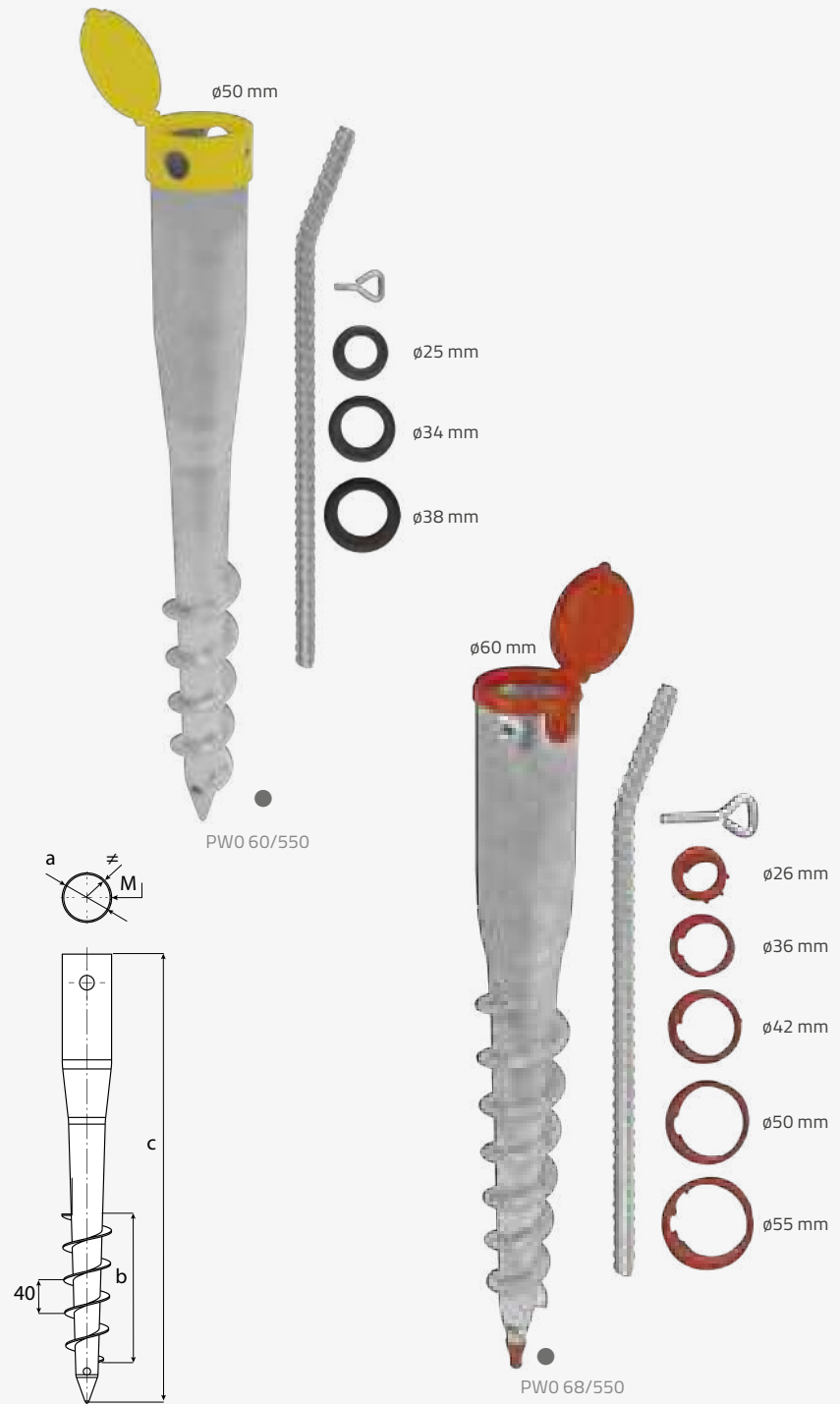
Post support for fixing structures based on a circular post in the ground, without the need for concrete foundations or specialised tools. It is easy to both assemble and disassemble. The included spacers allow the use of posts of different diameters.

Material

S235 + hot dip zinc; polypropylene.

Mounting

Steel: M5, M8 metric screws.



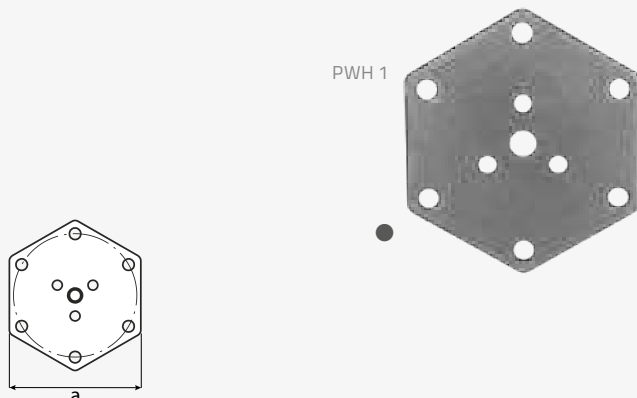
name	coat.	art no.	dimensions [mm]				holes [mm]	weight [g]	pack. [pcs]	
			a	b	c	ø				
PWO 60/550	●	48280	60	200	550	ø25/34/38/50	1,7	M5	1670	6
PWO 68/550	●	48281	68	200	550	ø26/36/42/50/55/60	1,8	M8	2140	6

coating:
● hot dip zinc

Application A hex plate designed to be connected to steel components (welding). Welded profiles or I-beams can then be connected to PWM supports or support extensions. The lack of corrosion protection allows safe welding.

Material S235 + oil film.

Mounting Wood: wood screws – CTO $\varnothing 10$; coach screws PWD $\varnothing 10$; steel: M10, M12 metric screws.



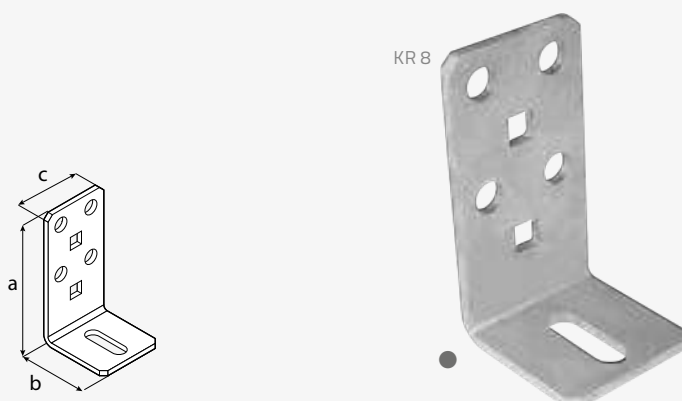
name	coat.	art no.	dimensions [mm]				holes [mm]			weight [g]	pack. [pcs]
			a	\neq	$\varnothing 12$	$\varnothing 14$	$\varnothing 18$				
PWH 1	●	482867	160	8,0	3	6	1	1300	20		

coating:
● oil film

Application The bracket is designed for supports with a rectangular or hex plate and allows the fastening and adjustment of beams with a rectangular or square cross-section. It has adjustable holes to make it easier to install non-standard elements and to eliminate expansion stress. The ability of the components to move against each other means that there are no loads in the joint from deformation or changes in the moisture content of the wood.

Material DX51D + Z275.

Mounting Wood: wood screws – CTO $\varnothing 10$; coach screws PWD $\varnothing 10$, PNP set, M12 lock screws; steel: M12, M14 metric screws.



name	coat.	art no.	dimensions [mm]				holes [mm]			weight [g]	pack. [pcs]
			a	b	c	\neq	$\varnothing 14$	$\square 13$	$\text{U} 14/30$		
KR 8	●	42113	130	70	65	5,0	4	2	1	135	4

coating:
● S235 + hot dip zinc

PWH

Hex flange for PWM



assembly
PWH
see page 113

KR

Adjustable bracket



assembly
KR8
see page 112

PWM

Screw-in post support (hexagonal)



see the instructional video

assembly PWM see page 112–113



Application

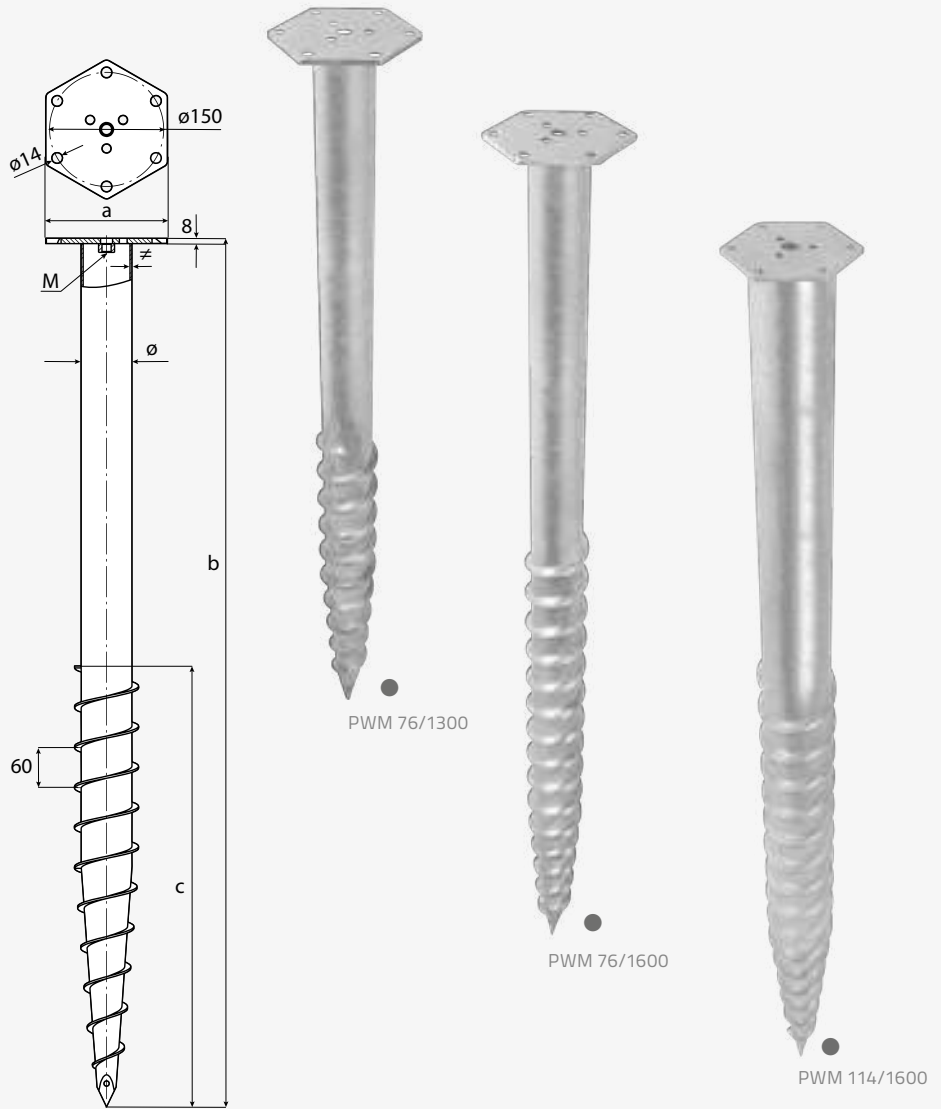
Heavy-duty post support. The large size and the use of support extensions allow the structure to be installed on sloping terrain and even on the bottom of water reservoirs. It is ideal for the construction of decks, terraces, carports and, thanks to its durability, also entire timber houses.

Material

S235 + hot dip zinc.

Mounting

Wood: wood screws – CTO $\phi 10$; coach screws PWD $\phi 10$; steel: M10, M12, M16, M24 metric screws.



name	coat.	art no.	dimensions [mm]						holes [mm]			weight [g]	pack. [pcs]
			a	b	c	ϕ	\neq	$\phi 11$	$\phi 14$	M			
PWM 76/1300	●	482840	160	1300	600	76	3,0	3	6	M16	9110	1	
PWM 76/1600	●	482841	160	1600	900	76	3,0	3	6	M16	10670	1	
PWM 114/1600	●	482842	160	1600	900	114	3,5	3	6	M24	17580	1	

coating:
● hot dip zinc

load data*	clay			gravel			sand		
	↓ kN	↑ kN	↔ kN	↓ kN	↑ kN	↔ kN	↓ kN	↑ kN	↔ kN
PWM 76/1300	21,4	11,8	6,1	24,2	14,4	4,9	26,2	14,4	5,2
PWM 76/1600	30,8	19,6	8,4	30,3	20,8	6,4	32,9	20,2	5,9
PWM 114/1600	40,0	25,5	10,9	39,4	27,0	8,4	42,7	26,2	7,7

↓ kN vertical thrust ↑ kN vertical pull-out force ↔ kN horizontal displacement force

* The values given are indicative. Before fixing the structure, it is advisable to carry out a test under local conditions and/or carry out relevant strength calculations.

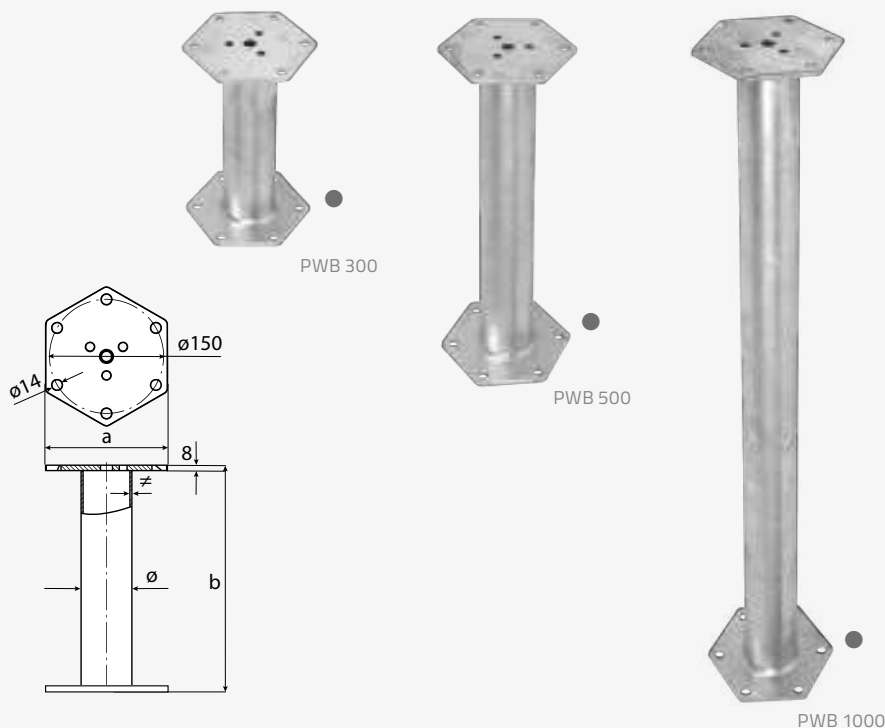
Application The hex flange-ended PWM support extension allows the support to be installed even in sloping terrain, while ensuring adequate strength.

Material S235 + hot dip zinc.

Mounting Wood: wood screws – CTO $\varnothing 10$; coach screws PWD $\varnothing 10$; steel: M10, M12 metric screws.

PWB

PWM support extension



name	coat.	art no.	dimensions [mm]				holes [mm]			weight [g]	pack. [pcs]
			a	b	\varnothing	\neq	$\varnothing 12$	$\varnothing 14$	$\varnothing 16$		
PWB 300	●	482861	160	300	76	3,0	6	12	2	4330	1
PWB 500	●	482862	160	500	76	3,0	6	12	2	5380	1
PWB 1000	●	482863	160	1000	76	3,0	6	12	2	7980	1

coating:
● hot dip zinc

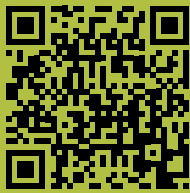


assembly
PWB
see page 113

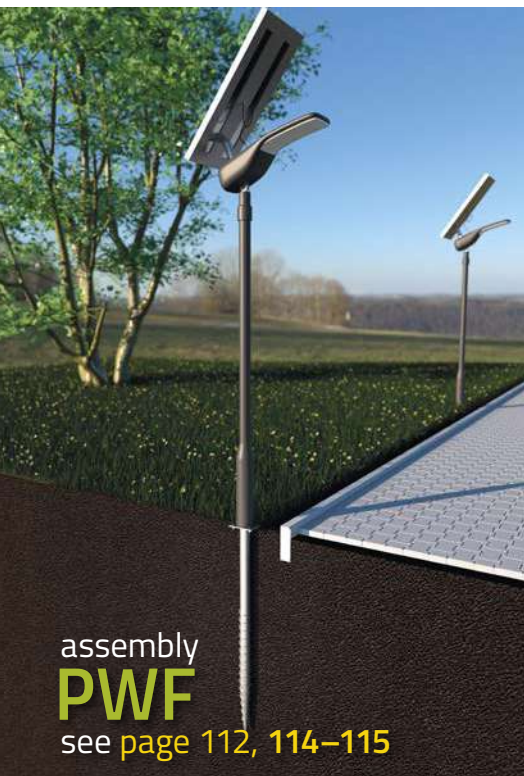


PWF

Screw-in
post support
(square base)



see the
instructional
video



assembly
PWF
see page 112, 114–115

Application

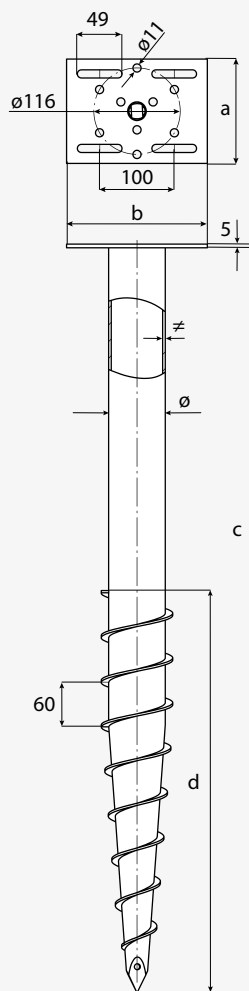
Post support for installing the structure in the ground. Designed for heavy-duty use. The size and option to use extensions allow the structure to be anchored on sloping terrain and even in water. A rectangular plate with holes for adjustment allows mounting various accessories. It is designed for, among other things, timber houses, piers or shelters.

Material

S235 + hot dip zinc.

Mounting

Wood: wood screws – CTO $\phi 10$; coach screws PWD $\phi 10$; steel: M10 metric screws.



PWF 76/1000



PWF 76/1600

name	coat.	art no.	dimensions [mm]						holes [mm]		weight [g]	pack. [pcs]
			a	b	c	d	ϕ	\neq	$\phi 11$	11/49		
PWF 76/1 000	●	482851	140	190	1000	480	76	3,5	9	4	9670	1
PWF 76/1 600	●	482852	140	190	1600	900	76	3,5	9	4	10910	1

coating:
● hot dip zinc

load data*	clay			gravel			sand		
	↓ kN	↑ kN	↔ kN	↓ kN	↑ kN	↔ kN	↓ kN	↑ kN	↔ kN
PWF 76/1000	15,3	9,6	5,1	16,3	11,8	2,2	18,3	11,2	1,9
PWF 76/1600	30,8	19,6	8,4	30,3	20,8	6,4	32,9	20,2	5,9

↓ kN vertical thrust ↑ kN vertical pull-out force ↔ kN horizontal displacement force

* The values given are indicative. Before fixing the structure, it is advisable to carry out a test under local conditions and/or carry out relevant strength calculations.

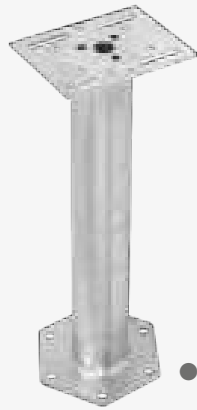
Application PWM and PWF rectangular plate-ended support extension with holes for mounting and adjusting accessories. It ensures increased functionality of the support.

Material S235 + hot dip zinc.

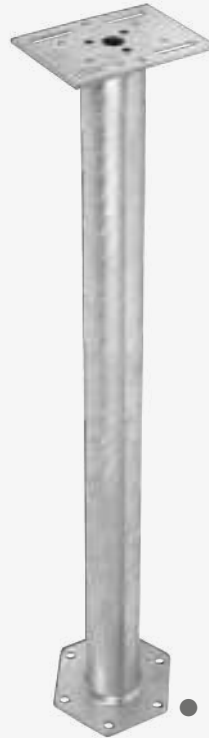
Mounting Wood: wood screws – CTO $\varnothing 10$; wood screws – PWD $\varnothing 10$; steel: M10 metric screws.



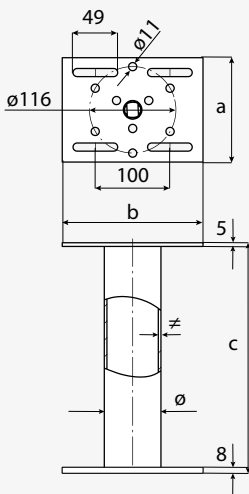
PWC 300



PWC 500



PWC 1000



name	coat.	art no.	dimensions [mm]						holes [mm]					weight [g]	pack. [pcs]
			a	b	c	\varnothing	\neq	$\varnothing 11$	$\varnothing 12$	$\varnothing 14$	$\varnothing 18$	11/49			
PWC 300	●	482864	140	190	300	76	3,0	9	3	6	1	4	1520	1	
PWC 500	●	482865	140	190	500	76	3,0	9	3	6	1	4	2600	1	
PWC 1000	●	482866	140	190	1000	76	3,0	9	3	6	1	4	5300	1	

coating:
● hot dip zinc

PWC

PWM/PWF
post support
extension



ASSEMBLY PWM/PWF+KR8

PWM and PWF supports with **wooden elements** are fixed using KR8 angle brackets. The adjustment holes allow the use of beams of different cross-sections, while movable angles allow the beam to be positioned in a straight line, regardless of the positioning of the anchors.



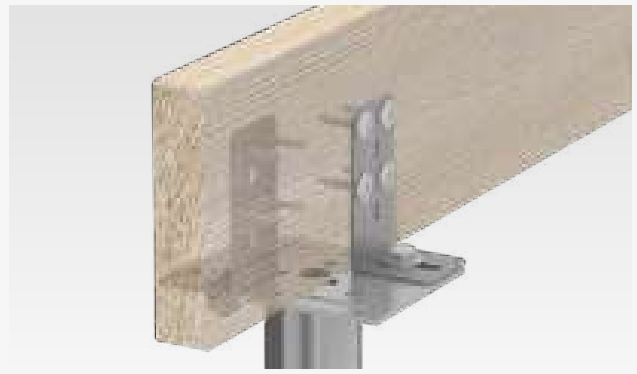
PWM + KR8 » fixing of square beams



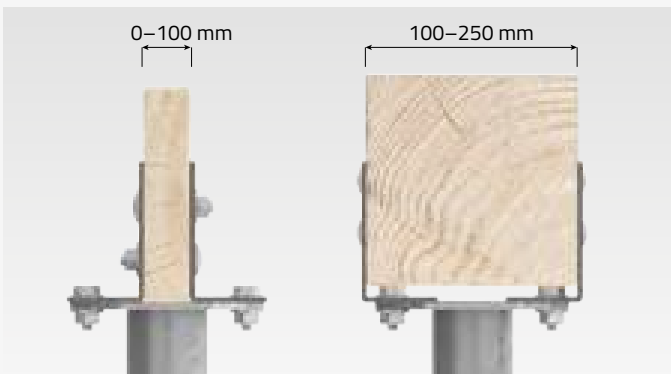
PWF + KR8 » fixing of square beams



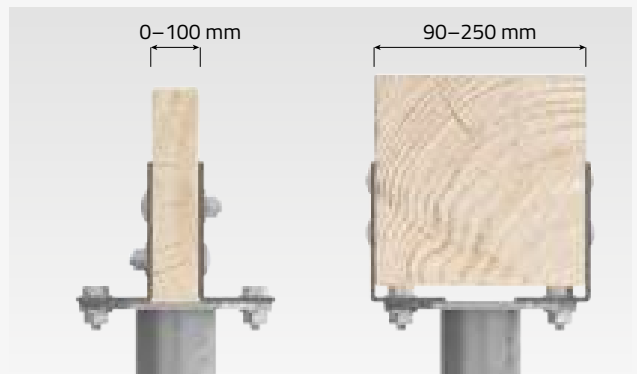
PWM + KR8 » fixing of rectangular beams



PWF + KR8 » fixing of rectangular beams



min.-max. spacing for PWM



min.-max. spacing for PWF



KR8 adjustable with non-straight support arrangement

PWM+PWB+PWH ASSEMBLY

Steel elements can be connected to PWM and PWF supports with the PWH hex plate, to which a rectangular profile, tube or I-section must be welded. The connected component is then bolted directly to the support, thus maintaining the increased strength of the entire structure.



ASSEMBLY PWG/PWM/PWF



PLANETARY GEAR SCREWDRIVER



ADAPTER WITH BUSHING



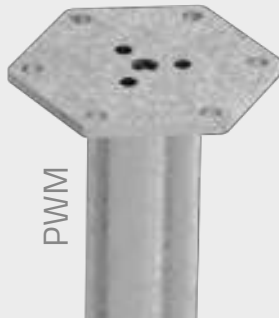
ADAPTER WITH FLANGE



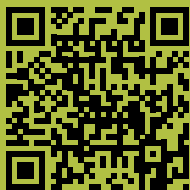
PWG



PWM



PWF



see the
instructional
video

Screwdriver specifications	
Voltage	230V
Current	9A
Power consumption	2000W
Frequency	50-60HZ
No-load speed	12 rpm
Maximum torque	3600 Nm



1 Use a theodolite or other measuring device to determine the distances between the post supports.



2 Using a long drill bit, drill a pilot hole to check the ground and remove minor obstructions.



3 Fill the hole with water to allow better feed when screwing in the support.



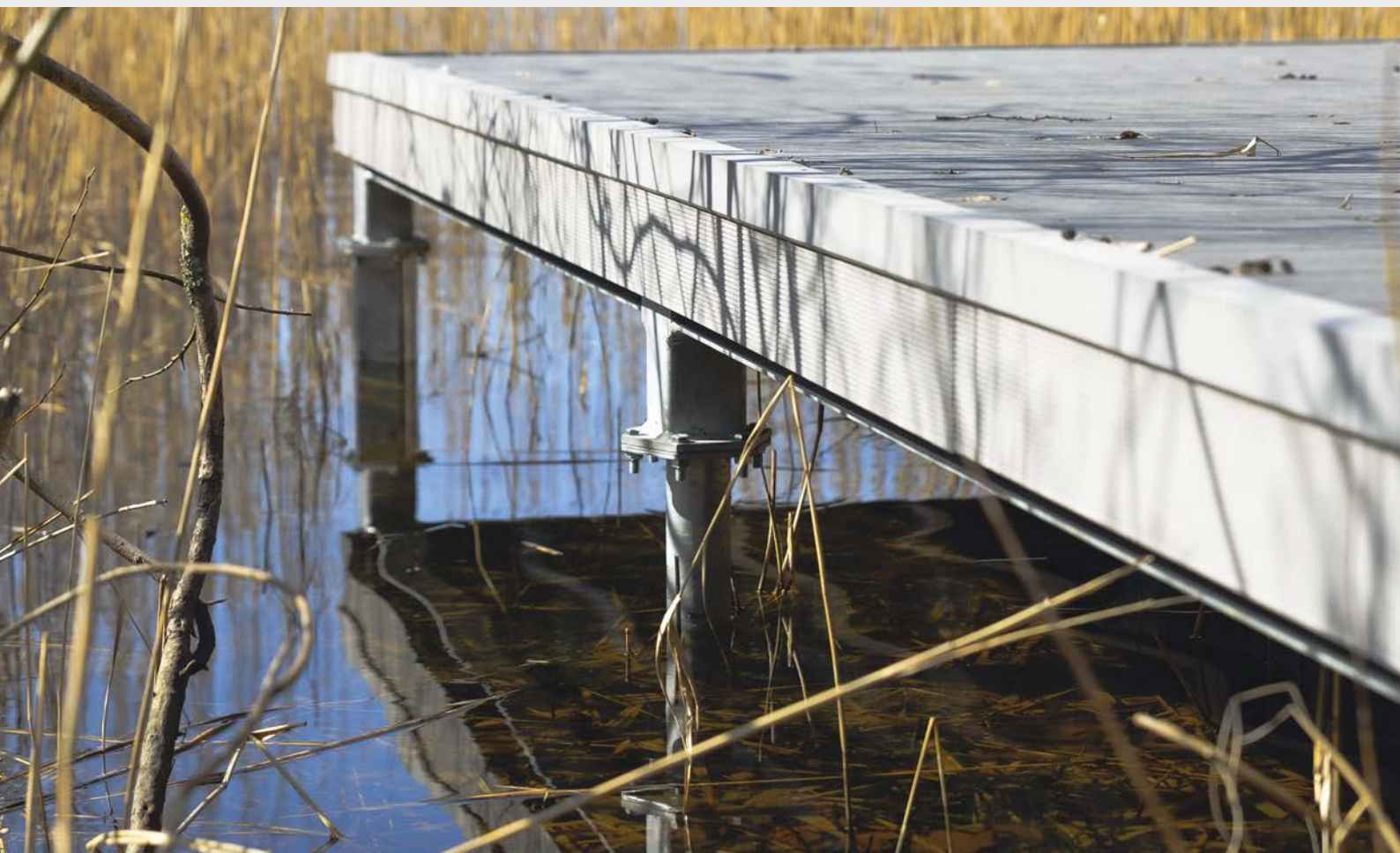
4 Using a high-torque, heavy-duty screwdriver, screw the support into the ground.



5 Use a spirit level to check the correct alignment of the post supports.



6 Set the structure on the post supports using the required accessories.



PWT

Threaded-socket
ground screw anchor



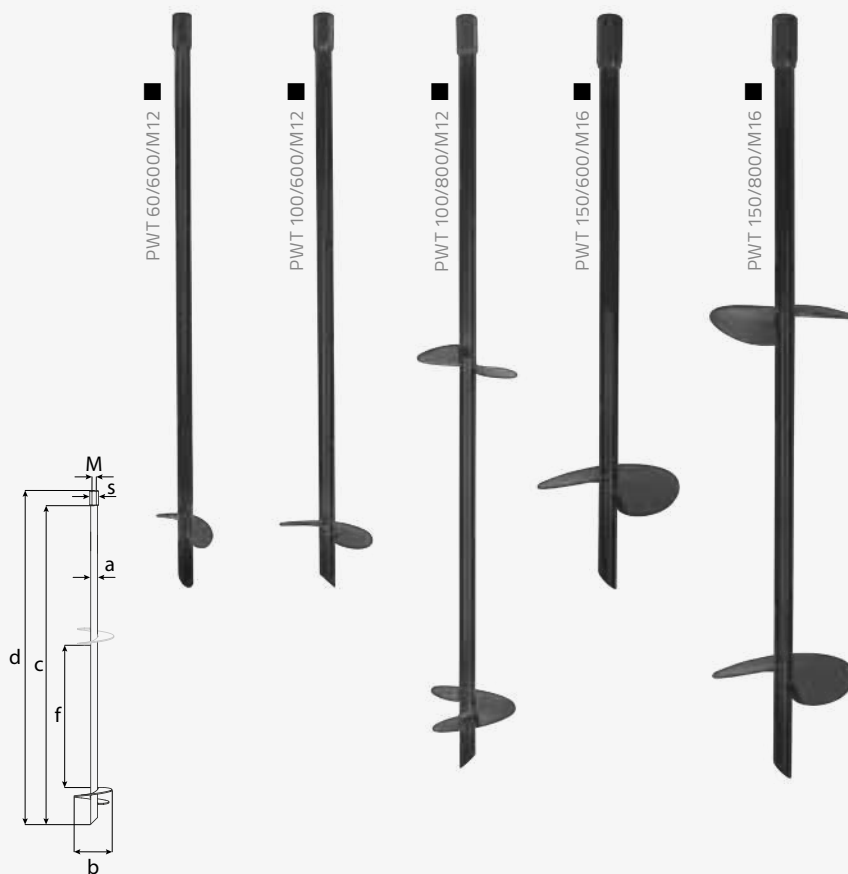
see the
instructional
video

Application

The PWT anchor allows fixing garden elements to the ground. It is ended with a hex socket, allowing the screwing of components with metric threads. Use a screwdriver for fitting.

Material

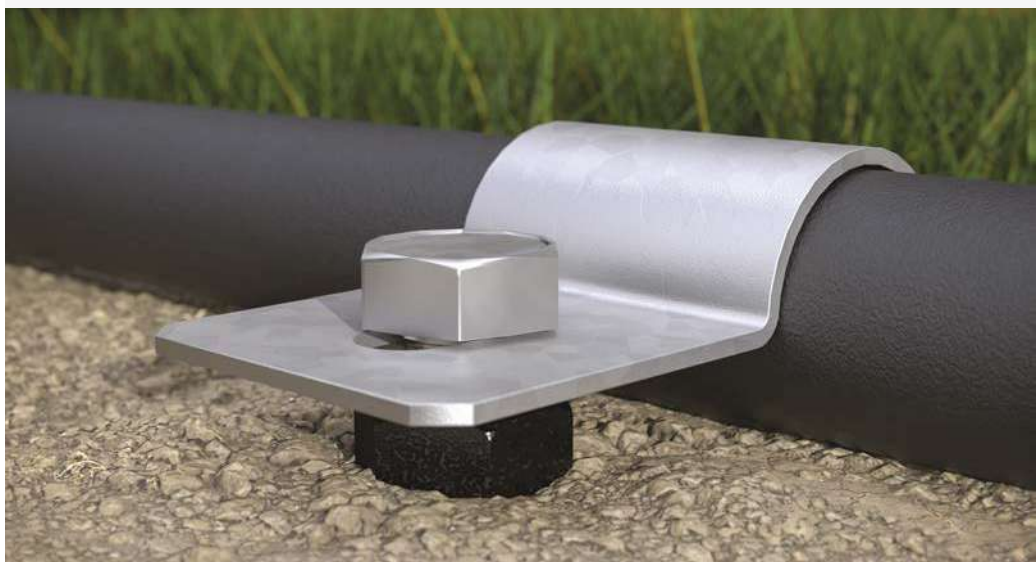
S235 + painted black.



name	coat.	art no.	dimensions [mm]						holes [mm]	weight [g]	pack. [pcs]
			a	b	c	d	f	s	M		
PWT 60/600/M12	●	482971	17,2	60	600	636	-	19	M12	555	1
PWT 100/600/M12	●	482972	17,2	100	600	636	-	19	M12	645	1
PWT 100/800/M12	●	482973	17,2	100	800	836	360	19	M12	940	1
PWT 150/600/M16	●	482974	21,3	150	600	648	-	24	M16	1070	1
PWT 150/800/M16	●	482975	21,3	150	800	848	350	24	M16	1640	1

coating:

- powder coated black



Application Lifting eye bolt with metric thread. It is mainly used for fixing ropes. The bolt thread fits the PWT screw-in anchor.

Material Carbon steel C15 + silver galvanization.



name	coat.	art no.	dimensions [mm]						weight [g]	pack. [pcs]
			$\phi 1$	$\phi 2$	h	l	k	d		
PWTU M12/30	●	39381	30	54	53	20,5	12	M12	166	1 à 10
PWTU M16/35	●	39382	35	63	62	27	14	M16	290	1 à 10

coating:
● silver galvanization

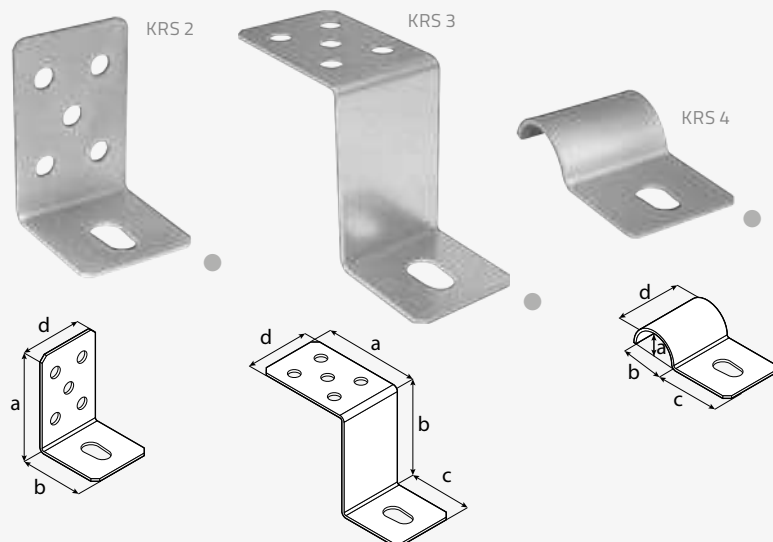
PWTU

Lifting eye bolt



Application KRS brackets have adjustable holes to make it easier to install non-standard elements and to eliminate expansion stress. Components have the ability to move against each other what prevents loads in the connection from deformation or changes in the moisture content of the wood.

Material DX51D + Z275.
Mounting Wood: wood screws – CTO $\phi 10$; coach screws PWD $\phi 10$, PNP set; steel: M12, M16 metric screws.

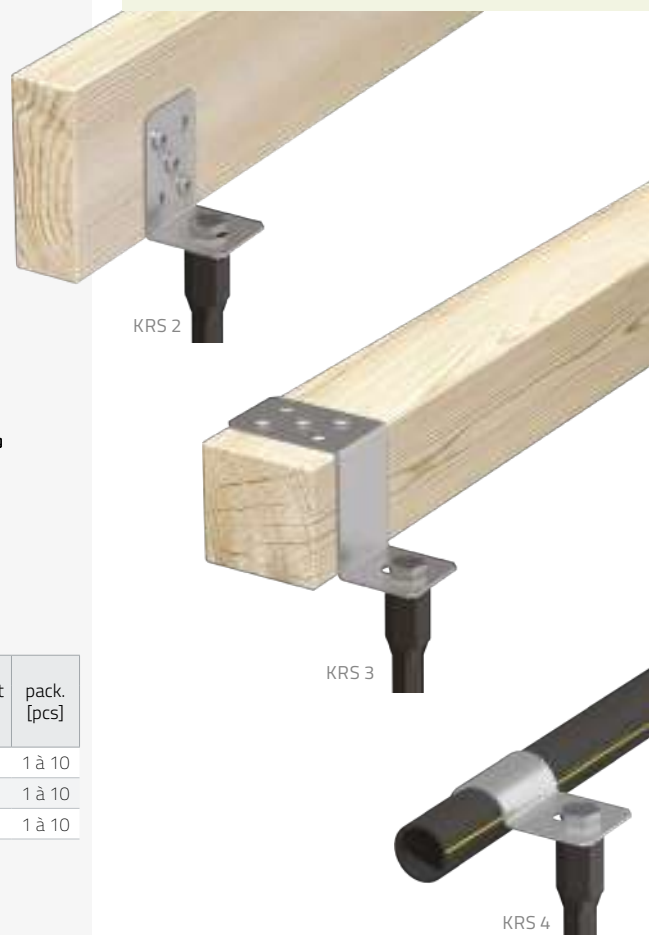


name	coat.	art no.	dimensions [mm]				holes [mm]		weight [g]	pack. [pcs]	
			a	b	c	d	\neq	$\phi 11$ 14-16/13			
KRS 2	●	42116	90	60	–	60	2,5	5	1	160	1 à 10
KRS 3	●	42117	91	90	60	60	2,5	5	1	270	1 à 10
KRS 4	●	42118	27	$\phi 40$	60	60	2,5	–	1	140	1 à 10

coating:
● DX51D + Z275MAC

KRS

Adjustable bracket



KWZ

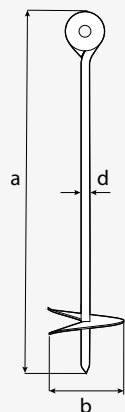
Threaded-socket
ground screw anchor



Application Standard plate screw anchor for installing beams of different cross-sections and adjusting their angle. Designed for fixing swings and other lightweight garden architecture.

Material S235 + hot dip zinc.

Mounting Wood: $\varnothing 10$ wood screw.



name	coat.	art no.	dimensions [mm]			holes [mm]	weight [g]	packaging [pcs]
			a	b	d	$\varnothing 11$		
KWZ	●	4830	470	100	10	1	530	1

coating:
● hot dip zinc

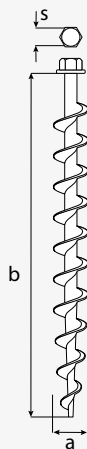
PWP

Screw-in peg



Application Plastic screw-in pegs are a modern, quick and easy way to fix various objects in the ground. The screws are a perfect replacement for traditional driven pegs and are an excellent alternative for fixing greenhouses, tents or crates.

Material Polypropylene.



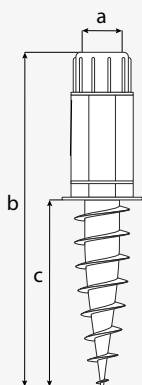
PWP 30/300/M10

name	coat.	art no.	dimensions [mm]			weight [g]	packaging [pcs]
			a	b	s		
PWP 30/300/M10	▼	482961	30	300	17	295	10

coating:
▼ polypropylene

Application Made of high quality plastic for attaching lightweight structures such as sun umbrellas to the ground. Thanks to the handles, it can be easily screwed into the ground by hand.

Material Polypropylene.



PWA 1 ▼

name	coat.	art no.	dimensions [mm]			weight [g]	packaging [pcs]
			a	b	c		
PWA 1	▼	482891	16-32	380	215	245	1

coating:
▼ polypropylene

PWA

Screw-in umbrella support



Application CTG universal assembly kit consisting of four long CT 8×300 wafer head screws with TORX 40 socket, four right-angle brackets and four 135° angle brackets. It allows small items such as sandpits to be installed in the ground or replaces traditional 'pegs' for stretching tents.



name	coat.	art no.	dimensions [mm]		TX	weight [g]	packaging [pcs]
			ø	L			
CTG	●●	39401	8,0	300	40	245	1 set

coating:
●● yellow and silver galvanization

CTG

Assembly kit



PWPP

Planetary gear



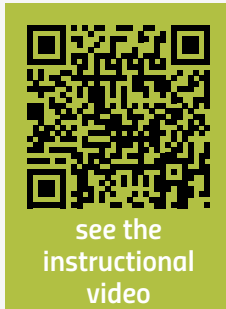
application
PWPP
see page 122

Application

The PWPP three-stage planetary gearbox is designed for PWG 68 and PWO 68 screw-in supports and with the PWKU adapter for PWU screw-in supports. The PWPP gearbox is a reduction gearbox with a ratio of 138:1.



PWPP



name	art no.	weight [g]	packaging [pcs]
PWPP	482997	7300	1

PWE

Rod for screw-in post supports



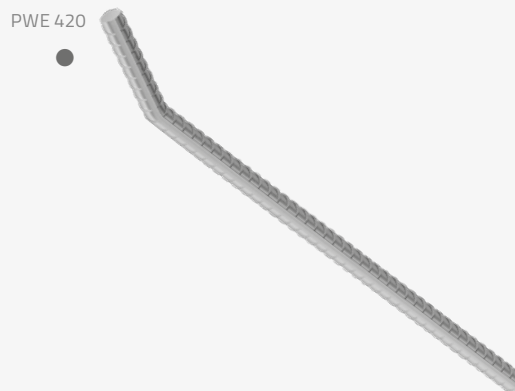
application
PWE
see page 122

Application

Bar for manual fixing of PWG screw-in supports (maximum length 650 mm) and PWU screw-in supports (maximum length 685 mm).

Material

S235 + hot dip zinc.

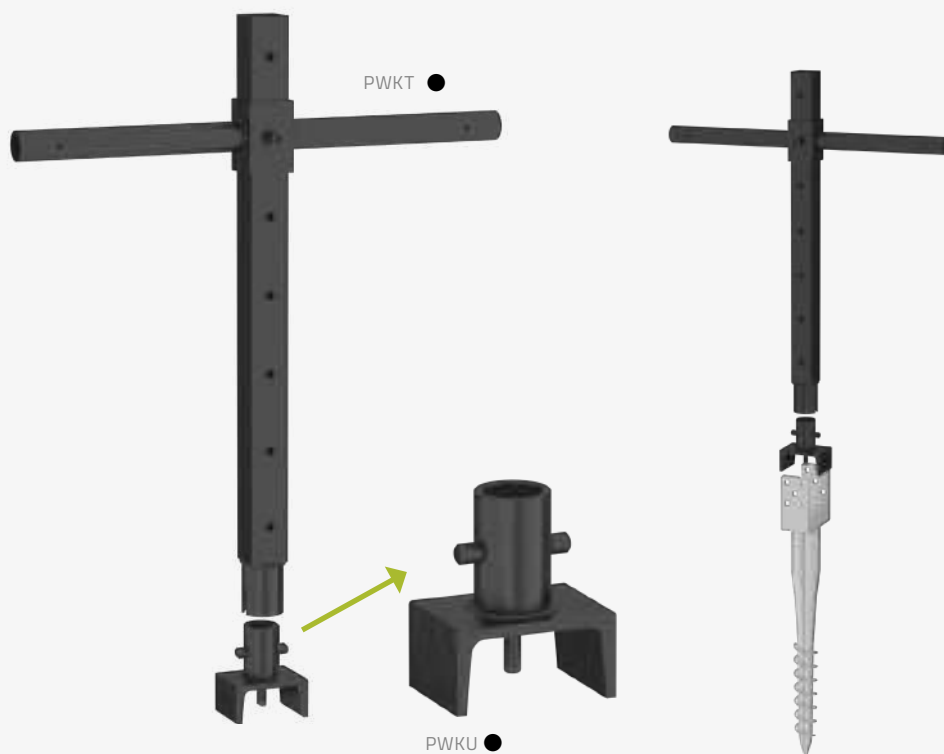


PWE 420

name	coat.	art no.	dimensions [mm]		weight [g]	packaging [pcs]
			a	b		
PWE 420	●	482991	15	420	503	10

coating:
● hot dip zinc

Application PWKT – spanner for screwing in PWO and PWG round supports. Together with the PWKU 70 adapter, it allows installing PWU supports.



name	coat.	art no.	dimensions [mm]			weight [g]	packaging [pcs]
			a	b	≠		
PWKT 62	●	482999	62	770	3,0	5610	1
PWKU 70	●	482998	70	100	6,0	1170	1

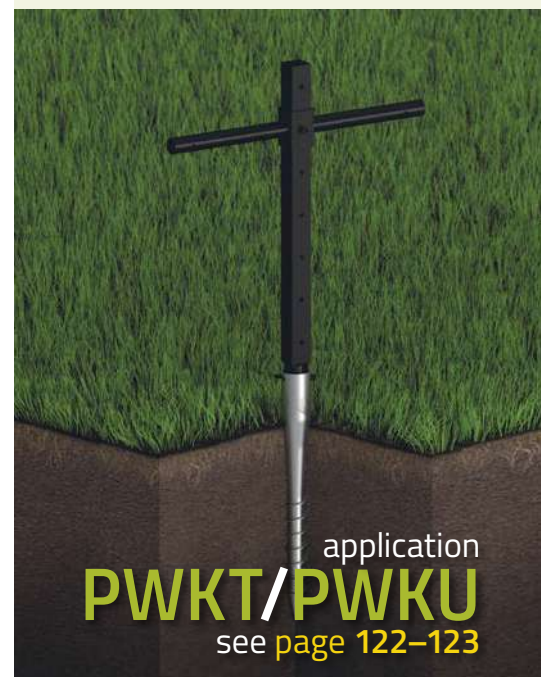
coating:
● powder coated black

PWKT

Hand spanner for round supports

PWKU

Adapter for PWU



application
PWKT/PWKU
see page 122–123

Application Bar for manual fixing of PWG screw-in supports (maximum length 650 mm) and PWU screw-in supports (maximum length 685 mm).
Material Recycled plastic.



name	coat.	art no.	dimensions [mm]		weight [g]	packaging [pcs]
			a	b		
WD 70	▼	4925	69	170	530	1
WD 90	▼	4926	89	180	1125	1

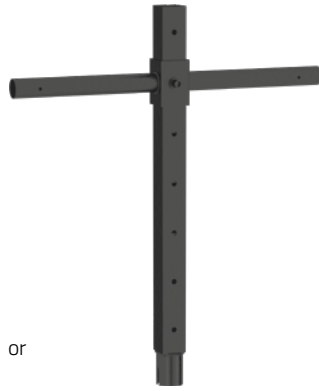
coating:
▼ polypropylene

WD

PSG drive-in tool



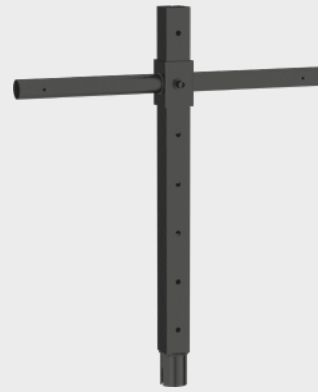
FITTING ACCESSORIES



or



or



or



or

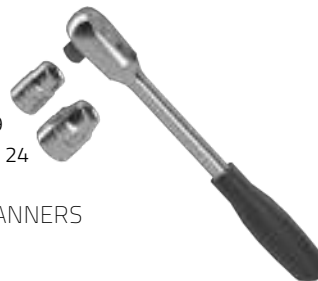


19
24

SOCKET SPANNERS

or

SCREWER





1 Determine the distances at which the posts should be placed.



2 Using a long drill bit, drill a pilot hole to check the ground and remove minor obstructions.



3 Fill the hole with water to allow better feed when screwing in the support.



4 Use a spirit level to check the correct alignment of the post supports.



5 Using a metal bar, PWKT spanner or PWPP planetary gear screwdriver, screw the support into the base.



6 Set the post in the support by back-filling it with granite grit, so that it is stiffened and locked in place.



domax

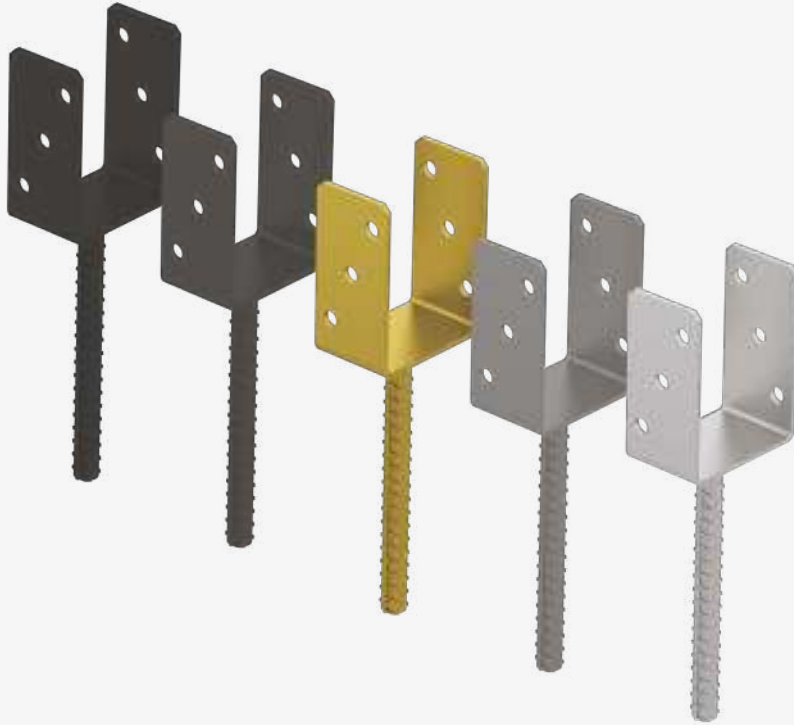


CT

✓ in our offer

construction screw with wafer head see page 290

Application	The U-type post support allows installing timber elements in concrete. It ensures adequate expansion of the wood from the ground.
Material	S235 + hot-dip zinc; S235 + galvanization, silver or yellow; S235 + powder coated, black or anthracite.
Mounting	Wood: wood screws – CTO \varnothing 10; coach screws PWD \varnothing 10; PNP set.



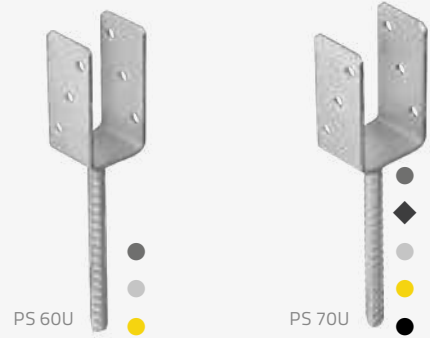
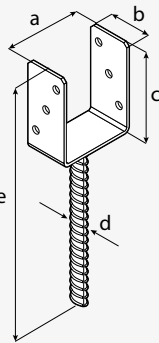
PS

U-type post support



PS

U-type
post support

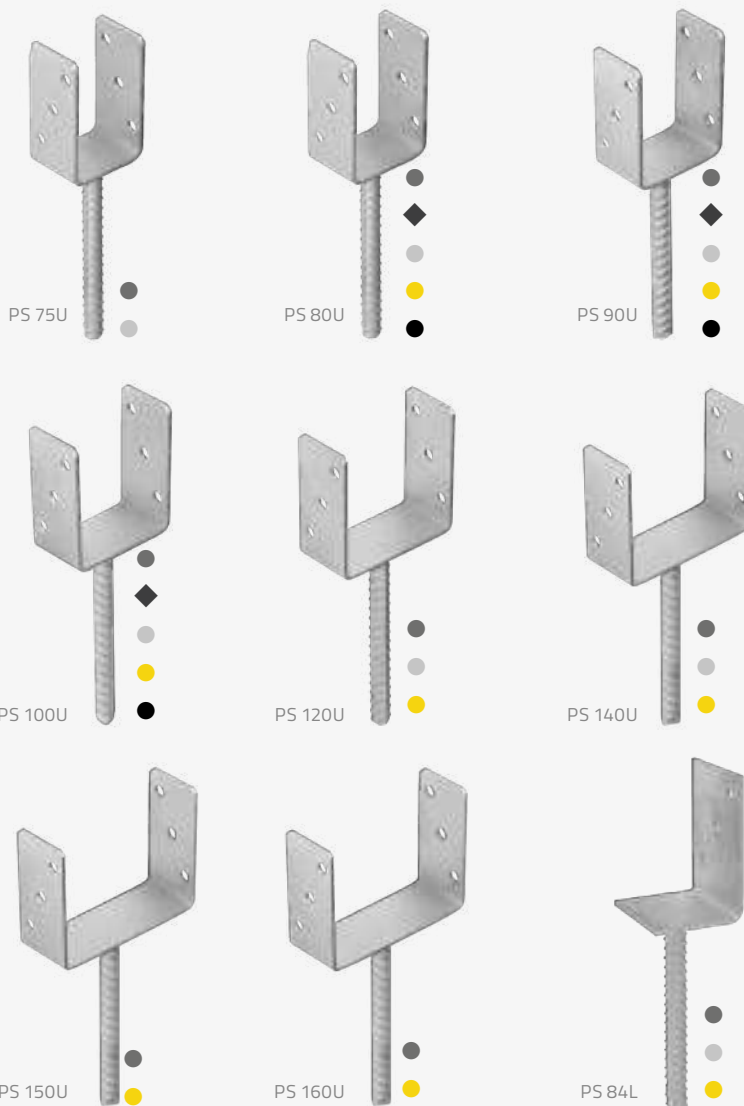


name	coat.	art no.	dimensions [mm]					holes [mm]		weight [g]	pack. [pcs]
			a	b	c	d	e	∅	∅11		
PS 60U	●	4801	61	60	124	∅16	324	4,0	6	876	6
	●	48015	61	60	124	∅16	324	4,0	6	876	6
	●	48016	61	60	124	∅16	324	4,0	6	876	6
PS 70U	●	4802	71	60	124	∅16	324	4,0	6	887	6
	◆	48023	71	60	124	∅16	324	4,0	6	887	6
	●	48025	71	60	124	∅16	324	4,0	6	887	6
	●	48026	71	60	124	∅16	324	4,0	6	887	6
PS 75U	●	480075	76	60	124	∅18	324	4,0	6	950	6
	●	4800755	76	60	124	∅18	324	4,0	6	950	6
	●	4803	81	60	124	∅18	324	4,0	6	992	6
PS 80U	◆	48033	81	60	124	∅18	324	4,0	6	992	6
	●	48035	81	60	124	∅18	324	4,0	6	992	6
	●	48036	81	60	124	∅18	324	4,0	6	992	6
	●	48032	81	60	124	∅18	324	4,0	6	992	6
PS 90U	●	4804	91	60	124	∅18	324	4,0	6	1012	6
	◆	48043	91	60	124	∅18	324	4,0	6	1012	6
	●	48045	91	60	124	∅18	324	4,0	6	1012	6
	●	48046	91	60	124	∅18	324	4,0	6	1012	6
PS 100U	●	48042	91	60	124	∅18	324	4,0	6	1012	6
	●	4805	101	60	124	∅18	324	4,0	6	1035	6
	◆	48055	101	60	124	∅18	324	4,0	6	1035	6
	●	48055	101	60	124	∅18	324	4,0	6	1035	6
PS 120U	●	48056	101	60	124	∅18	324	4,0	6	1035	6
	●	4806	121	60	124	∅18	324	4,0	6	1072	6
	●	48065	121	60	124	∅18	324	4,0	6	1072	6
	●	48066	121	60	124	∅18	324	4,0	6	1072	6
PS 140U	●	4808	141	60	124	∅18	324	4,0	6	1107	6
	●	48085	141	60	124	∅18	324	4,0	6	1107	6
	●	48086	141	60	124	∅18	324	4,0	6	1107	6
PS 150U	●	480150	151	60	124	∅18	324	4,0	6	1092	6
	●	4801506	151	60	124	∅18	324	4,0	6	1092	6
PS 160U	●	480160	161	60	124	∅18	324	4,0	6	1112	6
	●	4801606	161	60	124	∅18	324	4,0	6	1112	6
PS 84L	●	4807	85	90	135	∅18	325	5,0	3	1154	6
	●	48075	85	90	135	∅18	325	5,0	3	1154	6
	●	48076	85	90	135	∅18	325	5,0	3	1154	6

- coating:
- hot dip zinc
 - ◆ powder coated, anthracite
 - silver galvanization
 - yellow galvanization
 - powder coated, black

PS

U-type post support

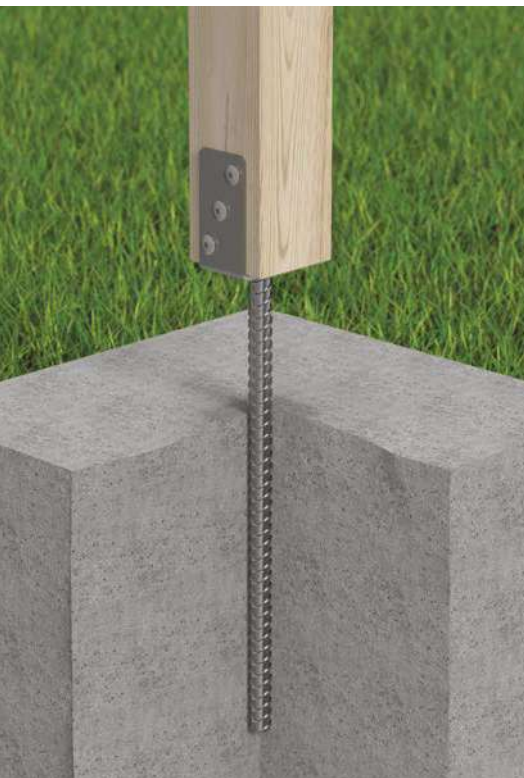
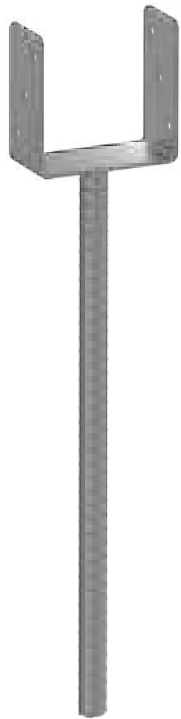


Loading capacity scheme PS 60–160U		Mounting scheme PS 60–160U				Loading capacity scheme PS 84L				Mounting scheme PS 84L			
Post support		PS 60U	PS 70U	PS 75U	PS 80U	PS 90U	PS 100U	PS 120U	PS 140U	PS 150U	PS 160U	PS 84L	
Load capacity $N_{Rd,V}$ [kN]*	load-bearing capacity of wood $N_{Rk,V,w}$	61,7	86,6	92,9	99,2	111,8	124,4	149,6	174,8	187,4	200	29,3	
	load-bearing capacity of steel $N_{Rd,V,s}$	51,7	51,7	57,3	57,3	57,3	57,3	57,3	57,3	57,3	57,3	57,3	
Load capacity $N_{Rd,H1}$ [kN]**	load-bearing capacity of wood $N_{Rk,H1,w}$	12,2	12,2	12,2	12,2	12,2	12,2	12,2	12,2	12,2	12,2	5,3	
	load-bearing capacity of steel $N_{Rd,H1,s}$	6,9	6,9	9,6	9,6	9,6	9,6	9,6	9,6	9,6	9,6	2,2	
Load capacity $N_{Rd,H2}$ [kN]***	load-bearing capacity of wood $N_{Rk,H2,w}$	4,7	4,4	12	7,7	6,8	7	9,1	7,8	25,7	28,3	12,2	
	load-bearing capacity of steel $N_{Rd,H2,s}$	4,7	4,4	1,2	7,7	6,8	7	9,1	7,8	1,2	1,2	1,8	
Certificate		ETA 14/0425	ETA 14/0425	ETA 20/1044	ETA 14/0425	ETA 14/0425	ETA 14/0425	ETA 14/0425	ETA 14/0425	ETA 20/1044	ETA 20/1044	ETA 15/0725	

The forces are specified for a complete connection involving one connector.
 * Load capacity $N_{Rd,V}$ [kN] – vertical force load, directed downwards.
 ** Load capacity $N_{Rd,H1}$ [kN] – horizontal force load parallel to the axis of the bolt.
 *** Load capacity $N_{Rd,H2}$ [kN] – horizontal force load perpendicular to the axis of the bolt.

PS 500

U-type
post support
(long bar)



Application

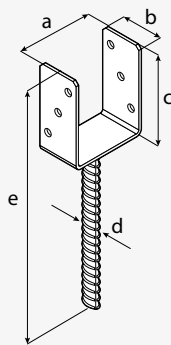
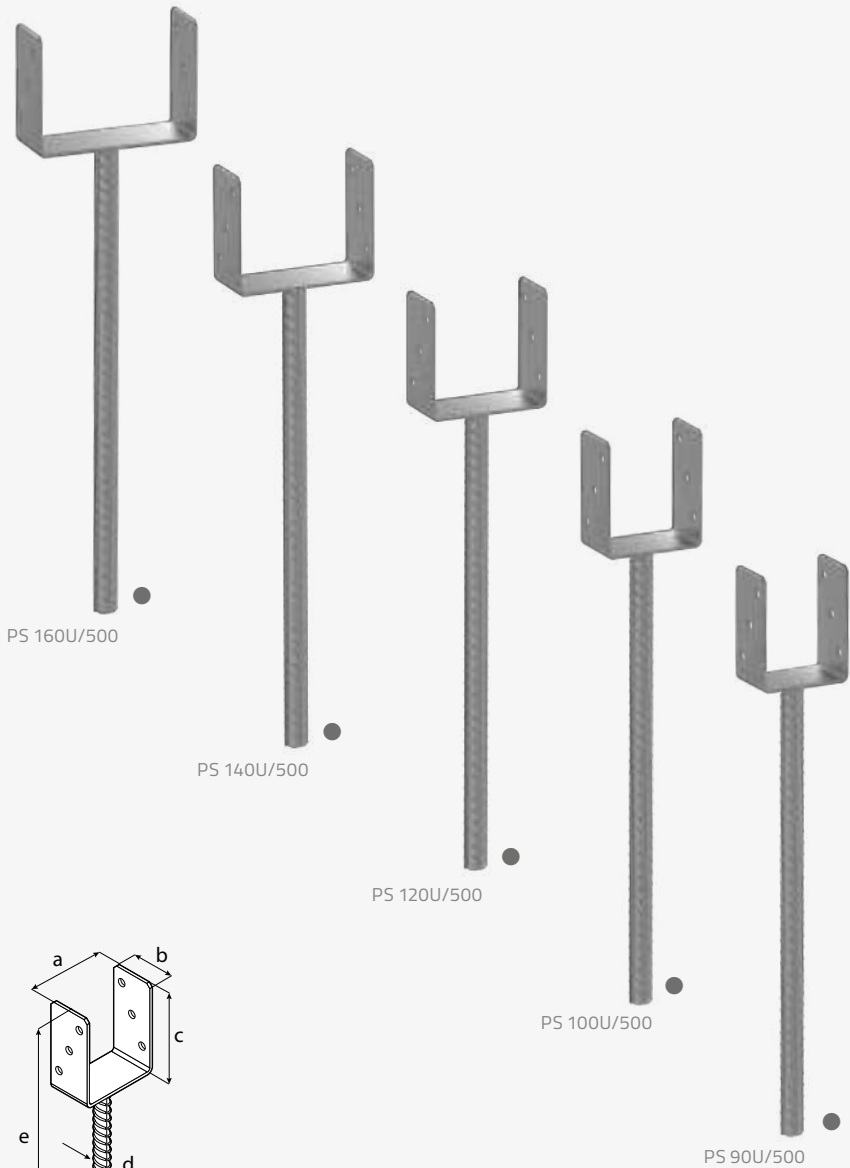
U-type post support designed for the installation of timber elements in concrete. The PS 500 composite support bar allows the underside of the beam to extend up to 150 mm in height above the concrete surface, ensuring adequate expansion of the timber from the substrate and high load-bearing capacity of the joint.

Material

S235 + B500B + hot dip zinc.

Mounting

Wood: wood screws – CTO $\varnothing 10$; coach screws PWD $\varnothing 10$; PNP set.



name	coat.	art no.	dimensions [mm]					holes [mm]	weight [g]	pack. [pcs]	
			a	b	c	d	e				
PS 90U/500	●	480901	91	60	124	$\varnothing 22$	624	4,0	6	2.002	1
PS 100U/500	●	480902	101	60	124	$\varnothing 22$	624	4,0	6	2.004	1
PS 120U/500	●	480903	121	60	124	$\varnothing 22$	624	4,0	6	2.008	1
PS 140U/500	●	480904	141	60	124	$\varnothing 22$	624	4,0	6	2.012	1
PS 160U/500	●	480905	161	60	124	$\varnothing 22$	624	4,0	6	2.016	1

coating:

● hot dip zinc

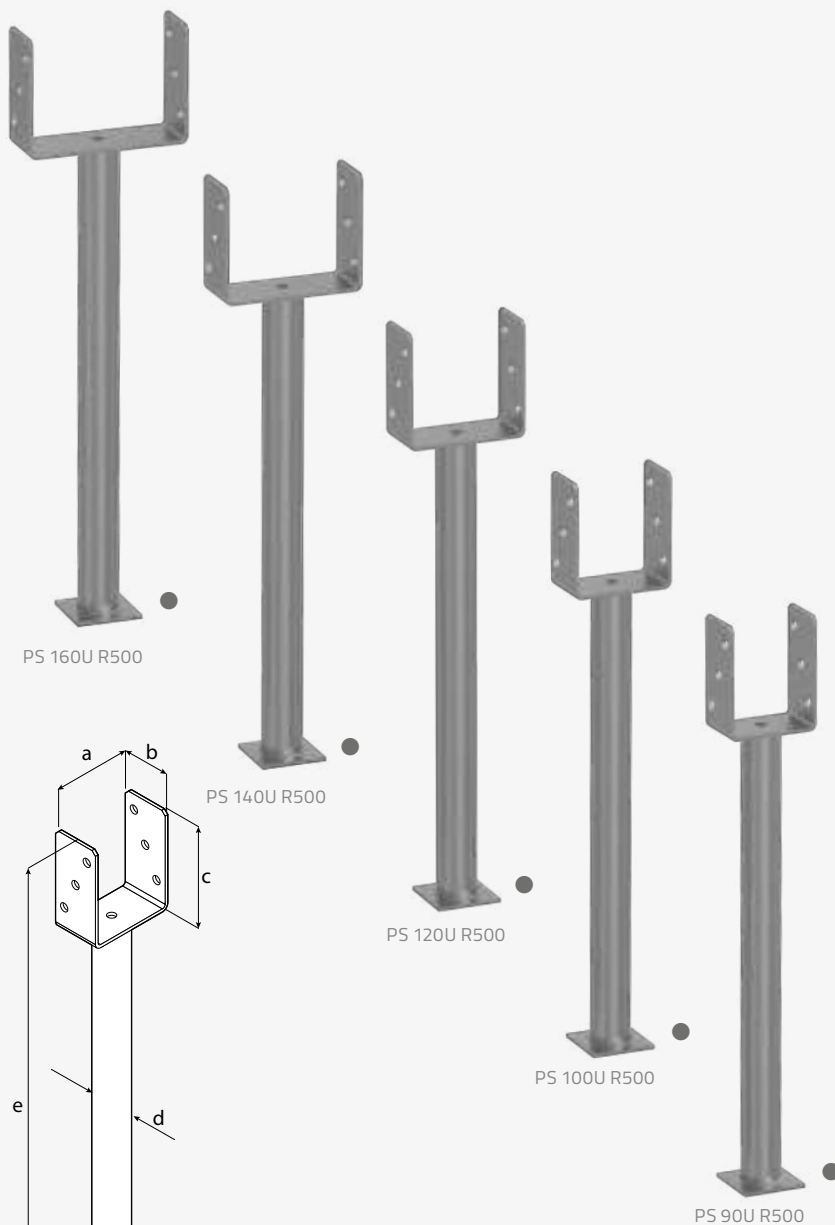
Application U-type post support designed for the installation of timber elements in concrete. The PS R500 composite support tube allows the underside of the beam to extend up to 250 mm in height above the concrete surface, ensuring maximum expansion of the timber from the substrate and a very high load-bearing capacity of the joint.

Material S235 + hot dip zinc.

Mounting Wood: wood screws – CTO $\phi 10$; coach screws PWD $\phi 10$; PNP set.

PS R500

U-type
post support
(long tube)



name	coat.	art no.	dimensions [mm]							holes [mm]		weight [g]	pack. [pcs]
			a	b	c	d	e	f	≠	$\phi 11$			
PS 90U R500	●	480906	91	60	124	$\phi 42,4$	628	70	4,0	6	1740	1	
PS 100U R500	●	480907	101	60	124	$\phi 42,4$	628	70	4,0	6	1760	1	
PS 120U R500	●	480908	121	60	124	$\phi 42,4$	628	70	4,0	6	1800	1	
PS 140U R500	●	480909	141	60	124	$\phi 42,4$	628	70	4,0	6	1830	1	
PS 160U R500	●	480910	161	60	124	$\phi 42,4$	628	70	4,0	6	1870	1	

coating:

● hot dip zinc

PSZ

U-type post support



Application

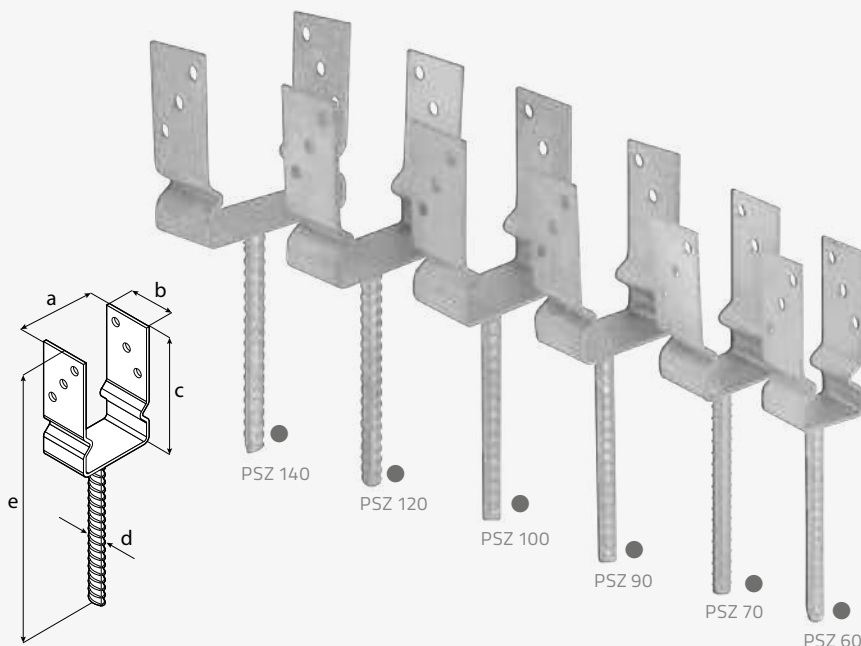
The support is designed to be fixed in concrete. The beam is supported on a reinforcement so that there is no direct contact with the ground, which ensures ventilation and longer life of the mounted post.

Material

S235 + hot dip zinc.

Mounting

Wood: wood screws – CTO $\varnothing 10$; coach screws PWD $\varnothing 10$; PNP set.



name	coat.	art no.	dimensions [mm]					holes [mm]	weight [g]	pack. [pcs]	
			a	b	c	d	e				
PSZ 60	●	4919060	61	60	150	$\varnothing 18$	350	4,0	6	1035	6
PSZ 70	●	4919070	71	60	150	$\varnothing 18$	350	4,0	6	1055	6
PSZ 90	●	4919090	91	60	150	$\varnothing 18$	350	4,0	6	1095	6
PSZ 100	●	4919100	101	60	150	$\varnothing 18$	350	4,0	6	1115	6
PSZ 120	●	4919120	121	60	150	$\varnothing 18$	350	4,0	6	1155	6
PSZ 140	●	4919140	141	60	150	$\varnothing 18$	350	4,0	6	1195	6

coating:

● hot dip zinc



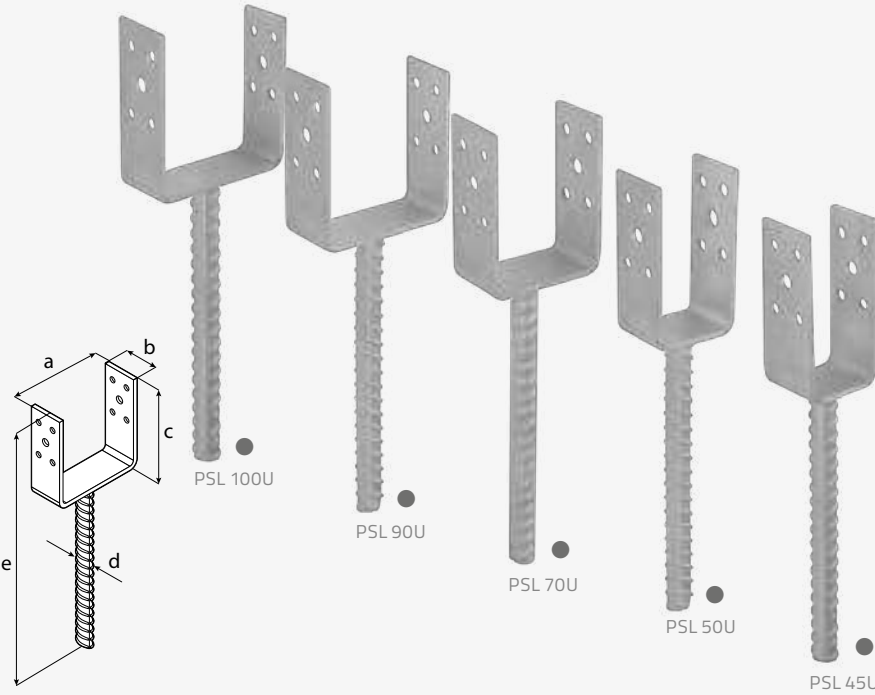
Loading capacity scheme		Mounting scheme					
Post support		PSZ 60	PSZ 70	PSZ 90	PSZ 100	PSZ 120	PSZ 140
Load capacity $N_{Rd,V}$ [kN]*	load-bearing capacity of wood $N_{Rk,V,w}$	24,9	24,9	24,9	24,9	24,9	24,9
	load-bearing capacity of steel $N_{Rd,V,s}$	57,3	57,3	57,3	57,3	57,3	57,3
Load capacity $N_{Rd,H1}$ [kN]**	load-bearing capacity of wood $N_{Rk,H1,w}$	11,8	12,9	12,9	12,9	12,9	12,9
	load-bearing capacity of steel $N_{Rd,H1,s}$	7,7	7,7	7,7	7,7	7,7	7,7
Load capacity $N_{Rd,H2}$ [kN]***	load-bearing capacity of wood $N_{Rk,H2,w}$	6,5	8,2	12	14	18,4	23,2
	load-bearing capacity of steel $N_{Rd,H2,s}$	0,7	0,7	0,7	0,7	0,7	0,7
Certificate		ETA 20/1044	ETA 20/1044	ETA 20/1044	ETA 20/1044	ETA 20/1044	ETA 20/1044

The forces are specified for a complete connection involving one connector.
 * Load capacity $N_{Rd,V}$ [kN] – vertical force load, directed downwards.
 ** Load capacity $N_{Rd,H1}$ [kN] – horizontal force load parallel to the axis of the bolt.
 *** Load capacity $N_{Rd,H2}$ [kN] – horizontal force load perpendicular to the axis of the bolt.

Application The lightweight U-type post support facilitates mounting of wooden elements with concrete and ensures proper expansion joint between wood and the ground.

Material S235 + hot dip zinc.

Mounting Wood: wood screws $\varnothing 6$; wood screws – CTO $\varnothing 8$.



name	coat.	art no.	dimensions [mm]						holes [mm]		weight [g]	pack. [pcs]
			a	b	c	d	e	≠	$\varnothing 7$	$\varnothing 9$		
PSL 45U	●	4909	46	40	100	$\varnothing 16$	305	4,0	8	2	627	6
PSL 50U	●	4910	51	40	100	$\varnothing 16$	305	4,0	8	2	627	6
PSL 70U	●	4913	71	40	100	$\varnothing 16$	305	4,0	8	2	656	6
PSL 90U	●	4916	91	40	100	$\varnothing 16$	305	4,0	8	2	670	6
PSL 100U	●	4918	101	40	100	$\varnothing 16$	305	4,0	8	2	695	6

coating:
● hot dip zinc



PSL

U-type post support (light)



Loading capacity scheme		Mounting scheme				
Post support		PSL 45U	PSL 50U	PSL 70U	PSL 90U	PSL 100U
Load capacity $N_{Rd,V}$ [kN]*	load-bearing capacity of wood $N_{Rk,V,w}$	35,5	40,8	60,5	77,3	85,7
	load-bearing capacity of steel $N_{Rd,V,s}$	51,7	51,7	51,7	51,7	51,7
Load capacity $N_{Rd,H1}$ [kN]**	load-bearing capacity of wood $N_{Rk,H1,w}$	2,9	2,9	2,9	2,9	2,9
	load-bearing capacity of steel $N_{Rd,H1,s}$	1,6	2,4	2,4	2,4	2,4
Load capacity $N_{Rd,H2}$ [kN]***	load-bearing capacity of wood $N_{Rk,H2,w}$	3	5,6	8,2	11,2	11,2
	load-bearing capacity of steel $N_{Rd,H2,s}$	0,8	1,3	1,3	1,3	1,3
Certificate		ETA 20/1044	ETA 15/0725	ETA 15/0725	ETA 15/0725	ETA 15/0725

The forces are specified for a complete connection involving one connector.
* Load capacity $N_{Rd,V}$ [kN] – vertical force load, directed downwards.
** Load capacity $N_{Rd,H1}$ [kN] – horizontal force load parallel to the axis of the bolt.
*** Load capacity $N_{Rd,H2}$ [kN] – horizontal force load perpendicular to the axis of the bolt.



PSS

U-type post support



Application

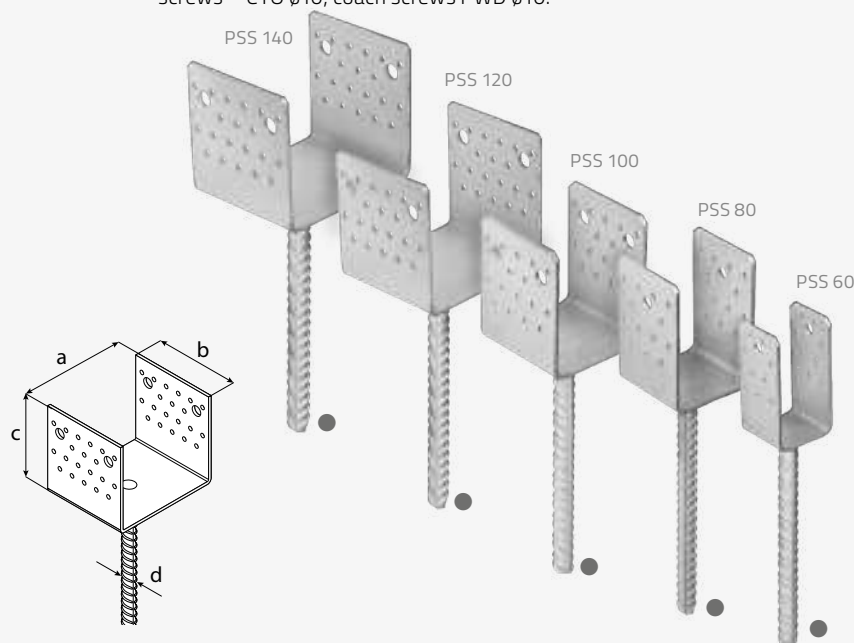
PSS post support is designed for the installation of timber elements with concrete. It provides adequate distance between the timber and the ground, and its design allows it to carry heavy loads. A thick hot-dip zinc coating protects against long-term moisture exposure. The coating of the concrete anchor can be painted with a decorative paint designed for electroplated surfaces.

Material

S235 + hot dip zinc.

Mounting

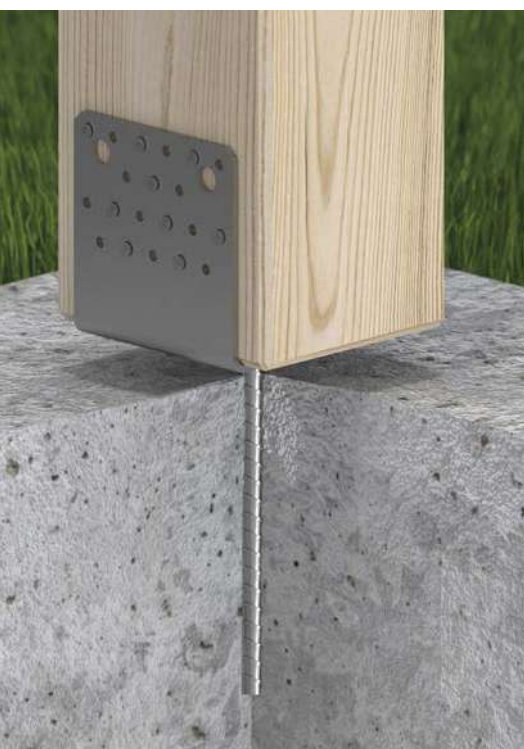
Wood: ANCHOR $\phi 4$ ring-shank nails; ANW Torx20 socket screws; wood screws – CTO $\phi 10$; coach screws PWD $\phi 10$.



name	coat.	art no.	dimensions [mm]					holes [mm]			weight [g]	pack. [pcs]
			a	b	c	d	\neq	$\phi 6$	$\phi 11$	$\phi 14$		
PSS 60	●	4810	61	60	125	$\phi 16$	4,0	18	2	–	945	4
PSS 80	●	4811	81	80	125	$\phi 16$	4,0	26	2	–	1177	4
PSS 100	●	4812	101	100	125	$\phi 16$	4,0	32	–	4	1420	4
PSS 120	●	4813	121	120	125	$\phi 18$	4,0	40	–	4	1805	4
PSS 140	●	4814	141	120	125	$\phi 18$	4,0	40	–	4	1905	4

coating:

● hot dip zinc



Loading capacity scheme		Mounting scheme				
Post support		PSS 60	PSS 80	PSS 100	PSS 120	PSS 140
Load capacity $N_{Rd,V}$ [kN]*	load-bearing capacity of wood $N_{Rk,V,w}$	58	100,9	151,2	231,8	329,3
	load-bearing capacity of steel $N_{Rd,V,s}$	57,3	57,3	57,3	57,3	57,3
Load capacity $N_{Rd,H1}$ [kN]**	load-bearing capacity of wood $N_{Rk,H1,w}$	14,4	13	28,8	35,4	35,4
	load-bearing capacity of steel $N_{Rd,H1,s}$	7,7	7,7	7,7	7,7	7,7
Load capacity $N_{Rd,H2}$ [kN]***	load-bearing capacity of wood $N_{Rk,H2,w}$	6,5	10	23,4	23,4	23,4
	load-bearing capacity of steel $N_{Rd,H2,s}$	1,2	1,2	1,1	1,1	1,1
Certificate		ETA 20/1044	ETA 20/1044	ETA 20/1044	ETA 20/1044	ETA 20/1044

The forces are specified for a complete connection involving one connector.
 * Load capacity $N_{Rd,V}$ [kN] – vertical force load, directed downwards.
 ** Load capacity $N_{Rd,H1}$ [kN] – horizontal force load parallel to the axis of the bolt.
 *** Load capacity $N_{Rd,H2}$ [kN] – horizontal force load perpendicular to the axis of the bolt.

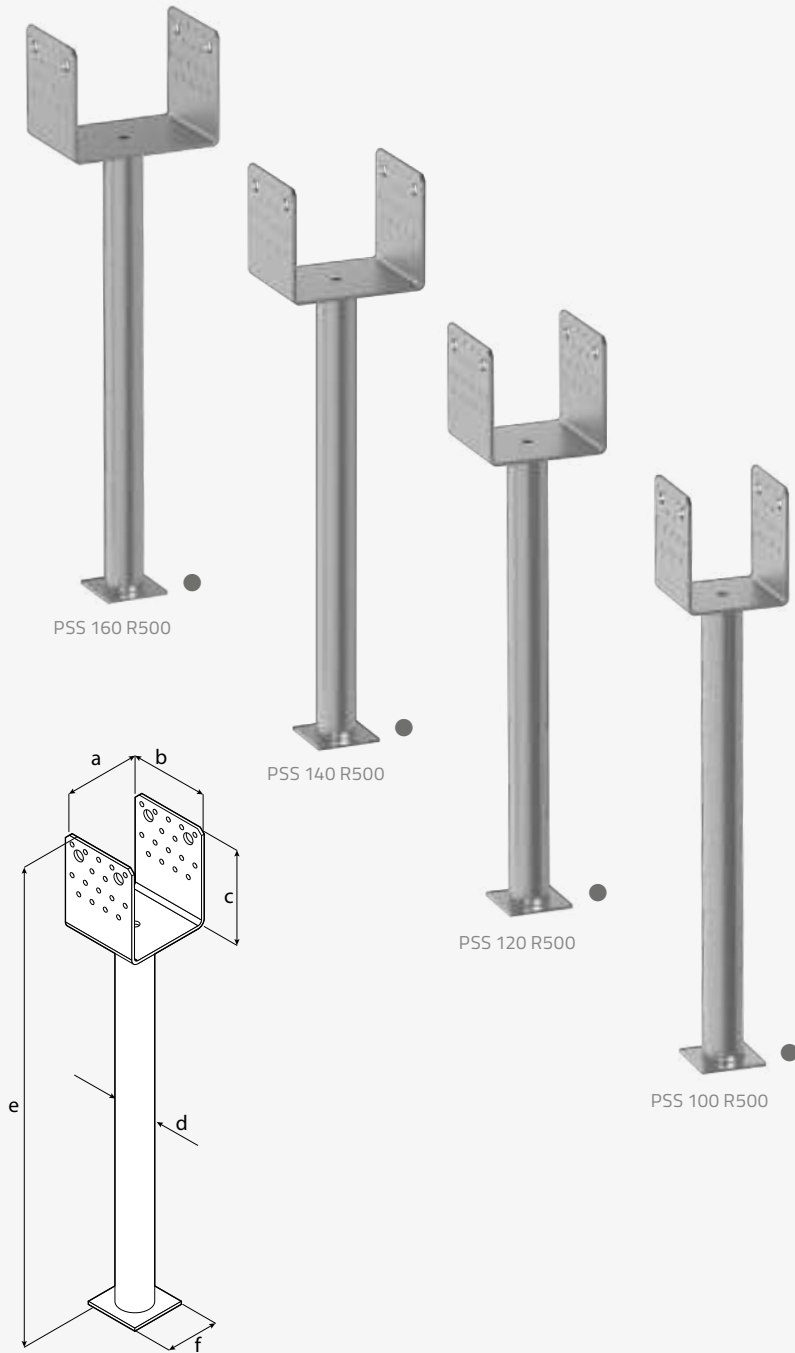
Application U-type post support designed for the installation of timber elements with concrete. The PSS R500 composite support tube allows the underside of the beam to extend up to 250 mm in height above the concrete surface, ensuring maximum expansion of the timber from the substrate and a very high load-bearing capacity of the joint.

Material S235 + hot dip zinc.

Mounting Wood: ANCHOR $\varnothing 4$ ring-shank nails; ANW Torx20 socket screws; wood screws – CTO $\varnothing 10$; coach screws PWD $\varnothing 10$.

PSS R500

U-type post support (long tube)



name	coat.	art no.	dimensions [mm]							holes [mm]		weight [g]	pack. [pcs]
			a	b	c	d	e	f	≠	$\varnothing 6$	$\varnothing 14$		
PSS 100 R500	●	480971	101	100	125	$\varnothing 42,4$	629	70	4,0	32	4	2 160	1
PSS 120 R500	●	480972	121	120	125	$\varnothing 42,4$	629	70	4,0	40	4	2 450	1
PSS 140 R500	●	480973	141	120	125	$\varnothing 42,4$	629	70	4,0	40	4	2 520	1
PSS 160 R500	●	480974	161	120	125	$\varnothing 42,4$	629	70	4,0	40	4	2 600	1

coating:
● hot dip zinc

PSSZ

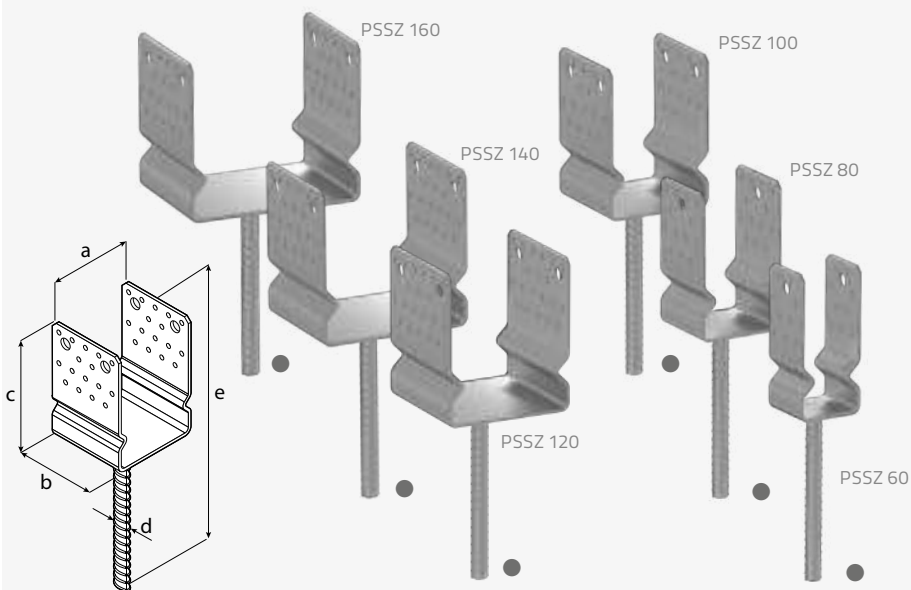
U-type post support



Application The U-type post support allows installing timber elements with concrete. The fixed beam rests on a „saddle”, which prevents it from coming into direct contact with the ground, ensuring ventilation and a longer life for the post.

Material S235 + B500B + hot dip zinc.

Mounting Wood: ANCHOR $\varnothing 4$ ring-shank nails; ANW Torx20 socket screws; wood screws – CTO $\varnothing 10$; coach screws PWD $\varnothing 10$.



name	coat.	art no.	dimensions [mm]						holes[mm]			weight [g]	pack. [pcs]
			a	b	c	d	e	≠	$\varnothing 6$	$\varnothing 11$	$\varnothing 14$		
PSSZ 60	●	480981	61	60	150	$\varnothing 16$	350	4,0	18	2	-	1050	4
PSSZ 80	●	480982	81	80	150	$\varnothing 16$	350	4,0	26	2	-	1330	4
PSSZ 100	●	480983	101	100	150	$\varnothing 16$	350	4,0	32	-	4	1620	4
PSSZ 120	●	480984	121	120	150	$\varnothing 18$	350	4,0	40	-	4	1940	4
PSSZ 140	●	480985	141	120	150	$\varnothing 18$	350	4,0	40	-	4	2020	4
PSSZ 160	●	480986	161	120	150	$\varnothing 18$	350	4,0	40	-	4	2090	4

coating: ● hot dip zinc

PSF

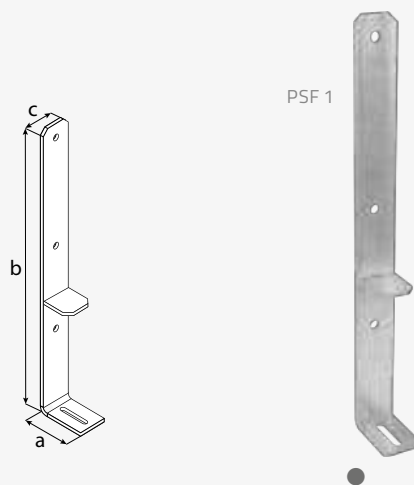
Post support



Application F type post base designed for assembling wooden elements with concrete. It ensures proper expansion of the wood from the ground.

Material S235 + hot dip zinc.

Mounting Wood: wood screws – CTO $\varnothing 10$; wood screws – PWD $\varnothing 10$; PNP set.



name	coat.	art no.	wymiar [mm]				otw[mm]		weight [g]	pack. [pcs]
			a	b	c	≠	$\varnothing 11$	11x14		
PSF 1	●	48691	79	500	50	6,0	3	1	3760	1

coating: ● hot dip zinc

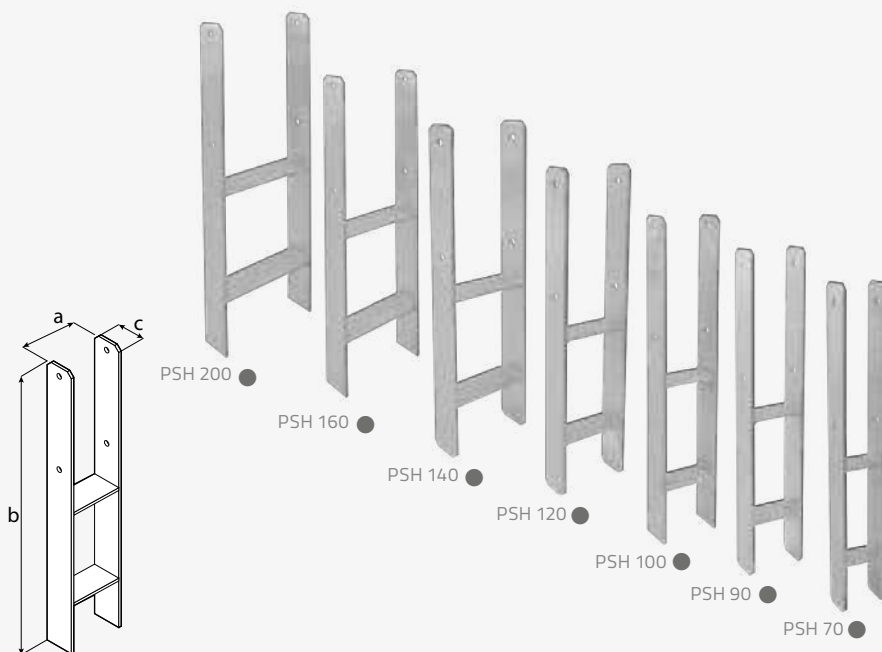
Application H-shaped post support designed for the installation of timber elements with concrete. It ensures adequate expansion of the wood from the ground.

Material S235 + hot dip zinc.

Mounting Wood: wood screws – CTO $\phi 10$; coach screws PWD $\phi 10$; PNP set.

PSH

H-shaped post support



name	coat.	art no.	dimensions [mm]				holes[mm]		weight [g]	pack. [pcs]
			a	b	c	#	$\phi 11$			
PSH 70	●	4871	71	600	60	6,0	4	3 760	1	
PSH 90	●	4873	91	600	60	6,0	4	3 900	1	
PSH 100	●	4874	101	600	60	6,0	4	3 960	1	
PSH 120	●	4875	121	600	60	6,0	4	4 070	1	
PSH 140	●	4876	141	600	60	6,0	4	4 180	1	
PSH 160	●	4877	161	600	60	6,0	4	4 240	1	
PSH 200	●	4878	201	600	60	6,0	4	4 470	1	

coating:
● hot dip zinc

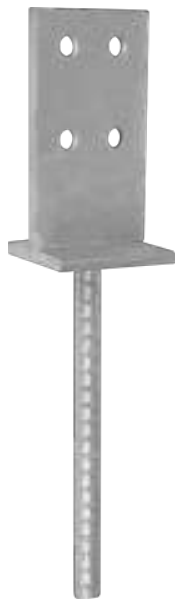
Loading capacity scheme		Mounting scheme							
Post support		PSH 70	PSH 80	PSH 90	PSH 100	PSH 120	PSH 140	PSH 160	PSH 200
Load capacity $N_{Rd,V}$ [kN]*	load-bearing capacity of wood $N_{Rk,V,w}$	88,2	100,8	113,4	126	151,2	176,4	201,6	252
	load-bearing capacity of steel $N_{Rd,V,s}$	169,2	169,2	169,2	169,2	169,2	169,2	169,2	169,2
Load capacity $N_{Rd,H1}$ [kN]**	load-bearing capacity of wood $N_{Rk,H1,w}$	3,16	3,16	3,16	3,16	3,16	3,16	3,16	3,16
	load-bearing capacity of steel $N_{Rd,H1,s}$	16,5	22,1	28,4	35,6	52,3	72,2	95,4	151,2
Load capacity $N_{Rd,H2}$ [kN]***	load-bearing capacity of wood $N_{Rk,H2,w}$	8,8	10	12	14	18,4	23,2	28,3	39,6
	load-bearing capacity of steel $N_{Rd,H2,s}$	8,3	8,3	8,3	8,3	8,3	8,3	8,3	8,3
Certificate		ETA 20/1044	ETA 20/1044	ETA 20/1044	ETA 20/1044	ETA 20/1044	ETA 20/1044	ETA 20/1044	ETA 20/1044

The forces are specified for a complete connection involving one connector.
 * Load capacity $N_{Rd,V}$ [kN] – vertical force load, directed downwards.
 ** Load capacity $N_{Rd,H1}$ [kN] – horizontal force load parallel to the axis of the bolt.
 *** Load capacity $N_{Rd,H2}$ [kN] – horizontal force load perpendicular to the axis of the bolt.

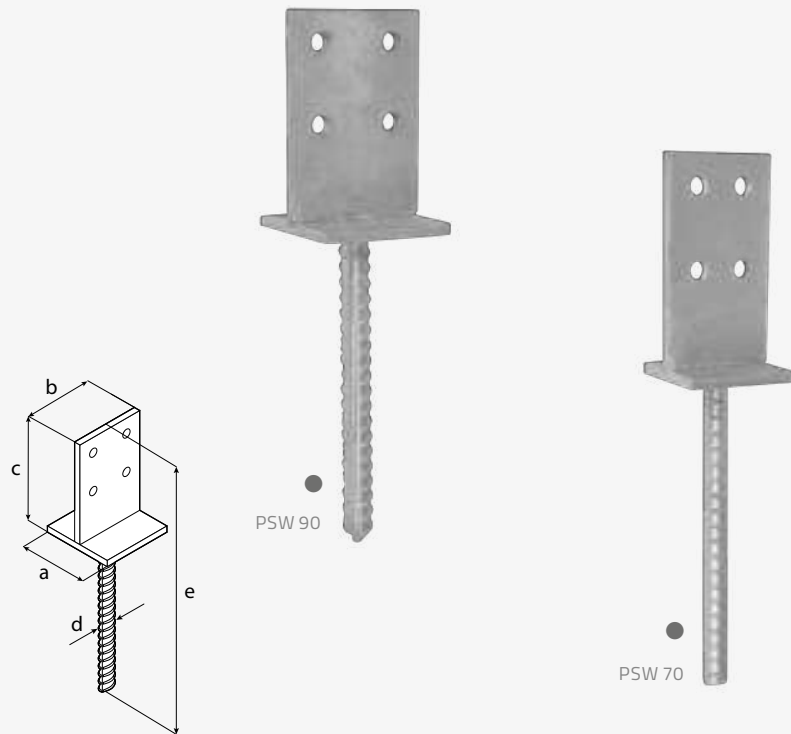


PSW

T-type post support

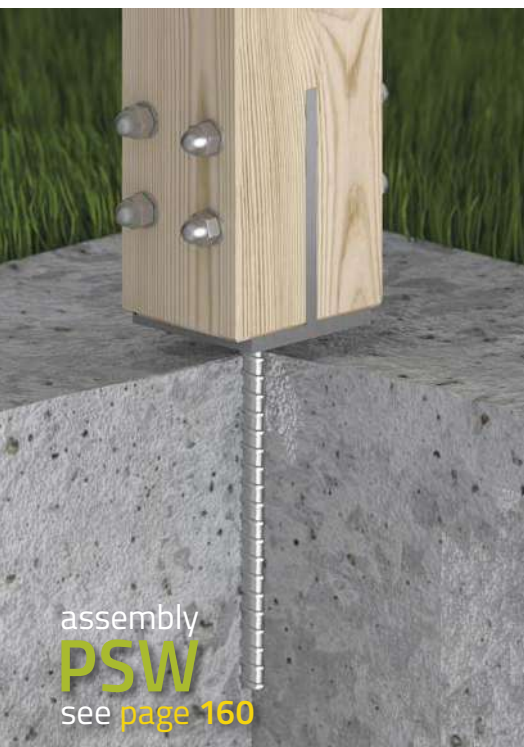


Application Recessed post support designed for the installation of timber elements with concrete.
Material S235 + hot dip zinc.
Mounting Wood: PNP set.



name	coat.	art no.	dimensions [mm]					holes [mm]	weight [g]	pack. [pcs]	
			a	b	c	d	e				
PSW 70	●	4933	70	70	130	∅16	338	8,0	4	1 176	6
PSW 90	●	4934	90	90	130	∅18	338	8,0	4	1 627	6

coating:
 ● hot dip zinc



Loading capacity scheme		Mounting scheme	
Post support		PSW 70	PSW 90
Load capacity $N_{Rd,V}$ [kN]*	load-bearing capacity of wood $N_{Rk,V,w}$	88,2	151,2
	load-bearing capacity of steel $N_{Rd,V,s}$	57,3	57,3
Load capacity $N_{Rd,H1}$ [kN]**	load-bearing capacity of wood $N_{Rk,H1,w}$	11,5	21,8
	load-bearing capacity of steel $N_{Rd,H1,s}$	7,7	7,7
Load capacity $N_{Rd,H2}$ [kN]***	load-bearing capacity of wood $N_{Rk,H2,w}$	13	22,4
	load-bearing capacity of steel $N_{Rd,H2,s}$	2,1	2,1
Certificate		ETA 20/1044	ETA 20/1044

The forces are specified for a complete connection involving one connector.
 * Load capacity $N_{Rd,V}$ [kN] – vertical force load, directed downwards.
 ** Load capacity $N_{Rd,H1}$ [kN] – horizontal force load parallel to the axis of the bolt.
 *** Load capacity $N_{Rd,H2}$ [kN] – horizontal force load perpendicular to the axis of the bolt.

assembly
PSW
 see page 160

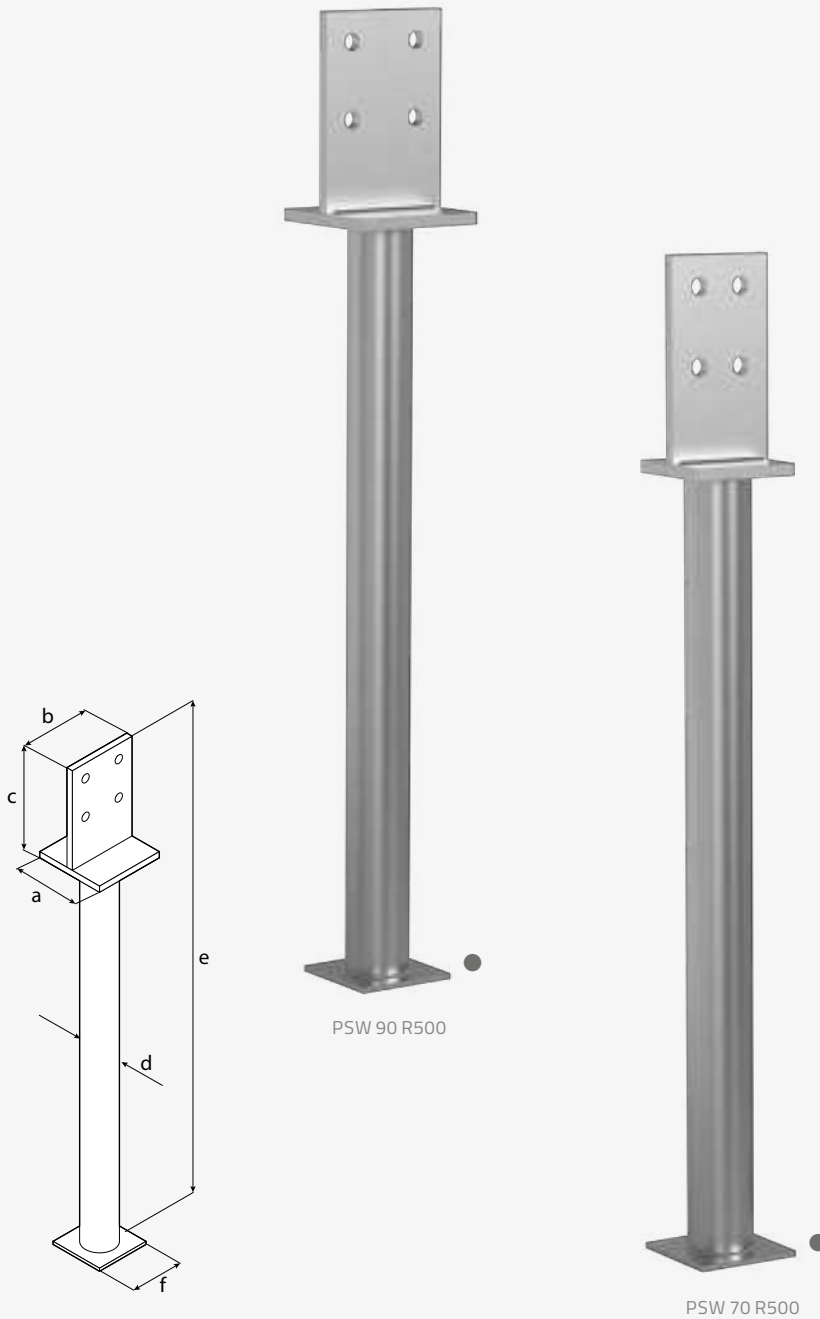
Application Post support designed for mounting wooden elements in concrete. The combined PSW R500 base pipe allows the bottom of the beam to be extended up to 250 mm above the concrete surface, ensuring maximum expansion of the wood from the ground and a very high load capacity of the connection.

Material S235 + hot dip zinc.

Mounting Wood: PNP set.

PSW R500

Post support
with long bar



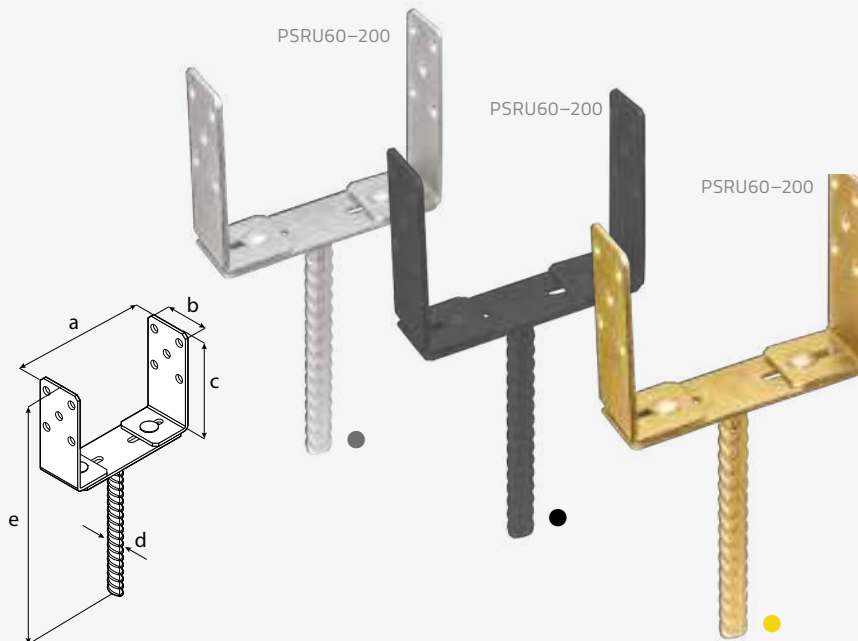
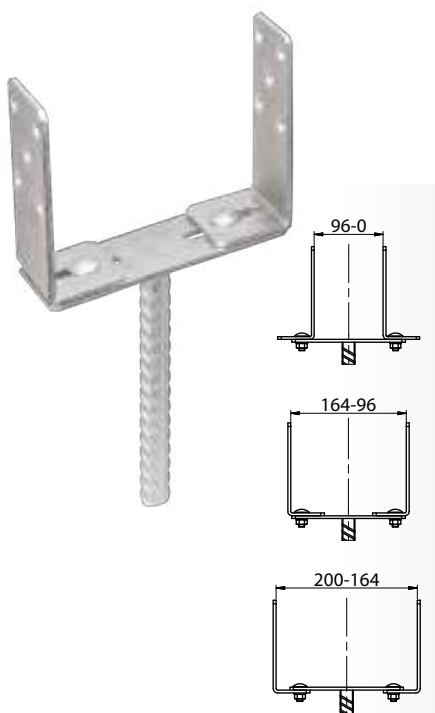
assembly
PSW R500
see page 160

name	coat.	art no.	dimensions [mm]							holes [mm]		weight [g]	pack. [pcs]
			a	b	c	d	e	f	≠	ø11			
PSW 70 R500	●	493201	70	70	130	ø42,4	641	70	8,0	4	1990	1	
PSW 90 R500	●	493202	90	90	130	ø42,4	641	70	8,0	4	2350	1	

coating:
● hot dip zinc

PSRU

Adjustable post support



name	coat.	art no.	dimensions [mm]					holes [mm]		weight [g]	pack. [pcs]
			a	b	c	d	e	≠	ø11		
PSRU 60-200	●	4885	0-200	60	136	ø18	336	4,0	10	1320	4
	●	48852	0-200	60	136	ø18	336	4,0	10	1320	4
	●	48856	0-200	60	136	ø18	336	4,0	10	1320	4

coating:
 ● hot dip zinc
 ● powder coated, black
 ● yellow galvanization

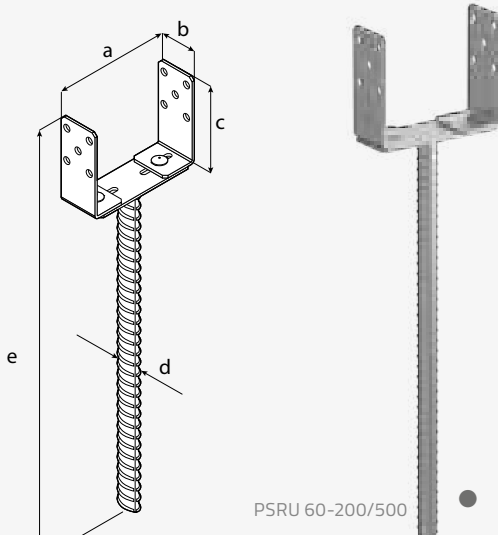


Loading capacity scheme		Mounting scheme			
Post support		PSRU 60-200			
Beam dimensions [mm]		60x120	70x120	80x120	90x120
Load capacity $N_{Rd,V}$ [kN]*	load-bearing capacity of wood $N_{Rk,V,w}$	75,6	88,2	100,8	113,4
	load-bearing capacity of steel $N_{Rd,V,s}$	57,3	57,3	57,3	57,3
Load capacity $N_{Rd,H1}$ [kN]**	load-bearing capacity of wood $N_{Rk,H1,w}$	13	15,2	17,4	19,5
	load-bearing capacity of steel $N_{Rd,H1,s}$	0,5	0,5	0,5	0,5
Load capacity $N_{Rd,H2}$ [kN]***	load-bearing capacity of wood $N_{Rk,H2,w}$	-	-	-	-
	load-bearing capacity of steel $N_{Rd,H2,s}$	-	-	-	-
Certificate		ETA 15/0725	ETA 15/0725	ETA 15/0725	ETA 15/0725

The forces are specified for a complete connection involving one connector.
 * Load capacity $N_{Rd,V}$ [kN] – vertical force load, directed downwards.
 ** Load capacity $N_{Rd,H1}$ [kN] – horizontal force load parallel to the axis of the bolt.
 *** Load capacity $N_{Rd,H2}$ [kN] – horizontal force load perpendicular to the axis of the bolt.

Application Adjustable post support designed for the installation of timber elements with concrete. The PSRU 500 composite support bar allows the underside of the beam to extend up to 150 mm in height above the concrete surface, ensuring adequate expansion of the timber from the substrate and high load-bearing capacity of the joint. The adjustable design allows the use of non-standard sized beams up to 200 mm in cross-section.

Material S235 + B500B + hot dip zinc.
Mounting Wood: wood screws – CTO $\varnothing 10$; coach screws PWD $\varnothing 10$; PNP set.



name	coat.	art no.	dimensions [mm]					holes [mm]		weight [g]	pack. [pcs]
			a	b	c	d	e	\neq	$\varnothing 11$		
PSRU 60-200/500	●	488591	0-200	60	136	$\varnothing 22$	634	4,0	10	2660	1

coating:
 ● hot dip zinc

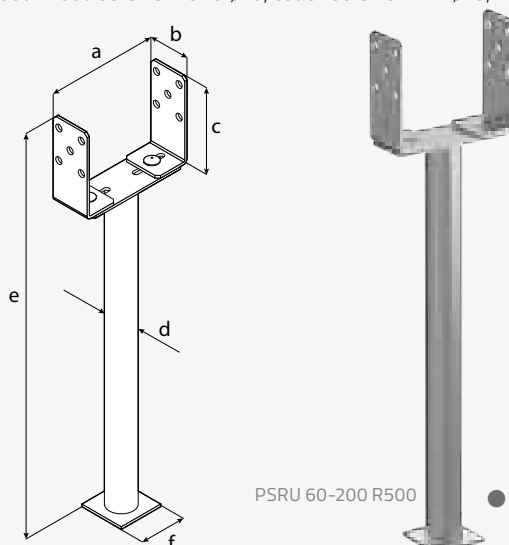
PSRU 500

R500

Adjustable post support on thick bar with a long tube

Application The PSRU R500 composite support tube allows the underside of the beam to extend up to 250 mm in height above the concrete surface, ensuring maximum expansion of the timber from the substrate and a very high load-bearing capacity of the joint. The adjustable design allows the use of non-standard sized beams up to 200 mm in cross-section.

Material S235 + hot dip zinc.
Mounting Wood: wood screws – CTO $\varnothing 10$; coach screws PWD $\varnothing 10$; PNP set.



name	coat.	art no.	dimensions [mm]						holes [mm]		weight [g]	pack. [pcs]
			a	b	c	d	e	f	\neq	$\varnothing 11$		
PSRU 60-200 R500	●	488592	0-200	60	136	$\varnothing 42,4$	638	70	4,0	10	2750	1

coating:
 ● hot dip zinc



PPS

Post support



Application

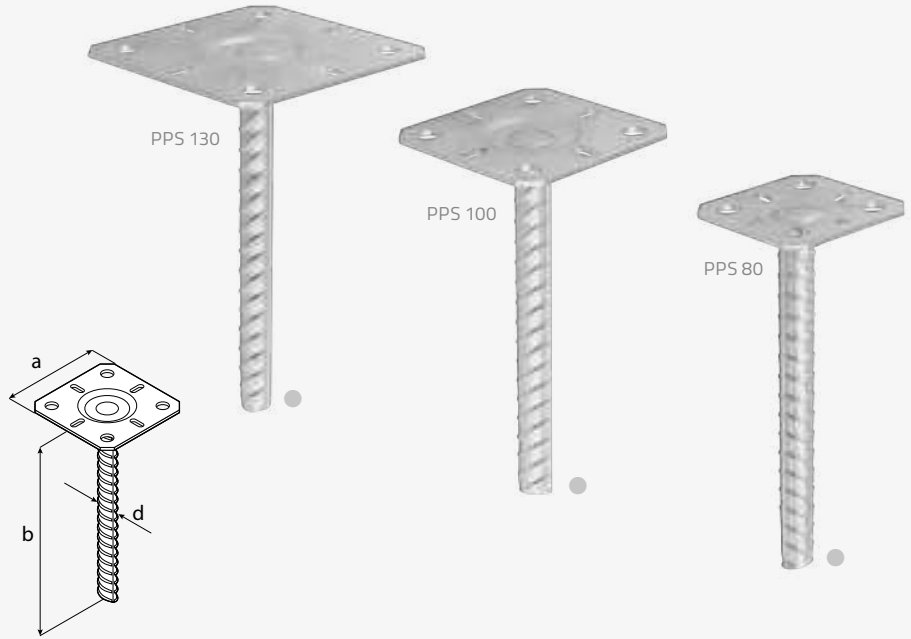
The support is used for the installation of timber elements with concrete, designed for vertical loads. It ensures adequate expansion of the wood from the substrate.

Material

S235 + silver galvanization.

Mounting

Wood: wood screws $\phi 6$; wood screws – CTO $\phi 10$; coach screws PWD $\phi 10$.



name	coat.	art no.	dimensions [mm]				holes [mm]			weight [g]	pack. [pcs]
			a	b	d	\neq	$\phi 11$	$\phi 6/4$	$\phi 6/9$		
PPS 80	●	4884080	80	202	$\phi 18$	3,0	4	4	–	515	4
PPS 100	●	4884100	100	205	$\phi 18$	3,0	4	–	4	605	4
PPS 130	●	4884130	130	205	$\phi 18$	3,0	4	–	4	765	4

coating:

- silver galvanization



Loading capacity scheme		Mounting scheme		
Post support		PPS 80	PPS 100	PPS 130
Load capacity $N_{Rd,V}$ [kN]*	load-bearing capacity of wood $N_{Rk,V,w}$	57,3	57,3	57,3
	load-bearing capacity of steel $N_{Rd,V,s}$	57,3	57,3	57,3
Load capacity $N_{Rd,H1}$ [kN]**	load-bearing capacity of wood $N_{Rk,H1,w}$	–	–	–
	load-bearing capacity of steel $N_{Rd,H1,s}$	–	–	–
Load capacity $N_{Rd,H2}$ [kN]***	load-bearing capacity of wood $N_{Rk,H2,w}$	–	–	–
	load-bearing capacity of steel $N_{Rd,H2,s}$	–	–	–
Certificate		ETA 18/1165	ETA 18/1165	ETA 18/1165

The forces are specified for a complete connection involving one connector.

* Load capacity $N_{Rd,V}$ [kN] – vertical force load, directed downwards.

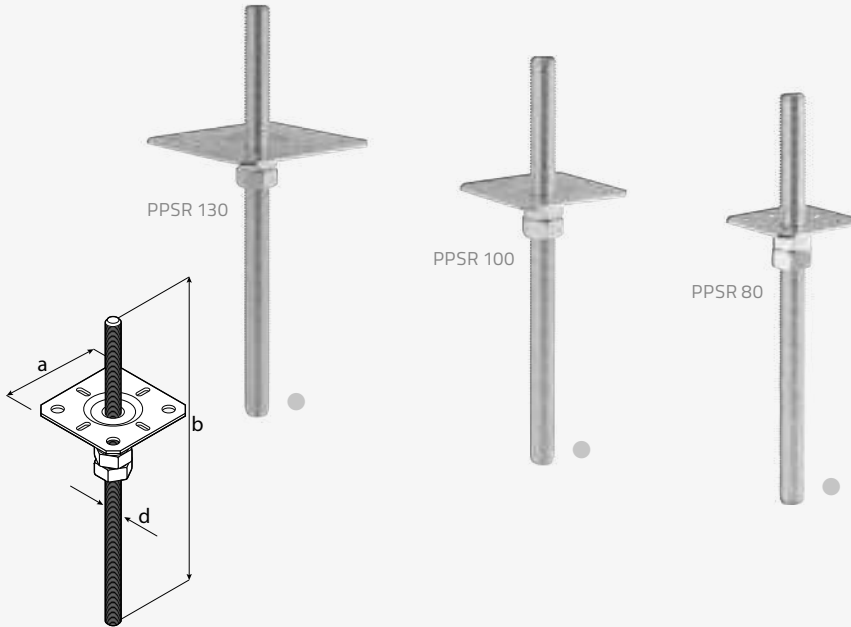
** Load capacity $N_{Rd,H1}$ [kN] – horizontal force load parallel to the axis of the bolt.

*** Load capacity $N_{Rd,H2}$ [kN] – horizontal force load perpendicular to the axis of the bolt.

Application Post support with height adjustment for submerging in concrete and post assembly, designed for vertical loads only. The full thread allows vertical adjustment of the height of the post to be mounted.

Material S235 + silver galvanization.

Mounting Wood: wood screws $\phi 6$; wood screws – CTO $\phi 10$; coach screws PWD $\phi 10$.



name	coat.	art no.	dimensions [mm]				holes [mm]			weight [g]	pack. [pcs]
			a	b	d	\neq	$\phi 11$	$\phi 6/4$	$\phi 6/9$		
PPSR 80	●	4883080	80	330	M20	3,0	4	4	–	955	4
PPSR 100	●	4883100	100	330	M20	3,0	4	–	4	1045	4
PPSR 130	●	4883130	130	330	M20	3,0	4	–	4	1205	4

coating:
● silver galvanization

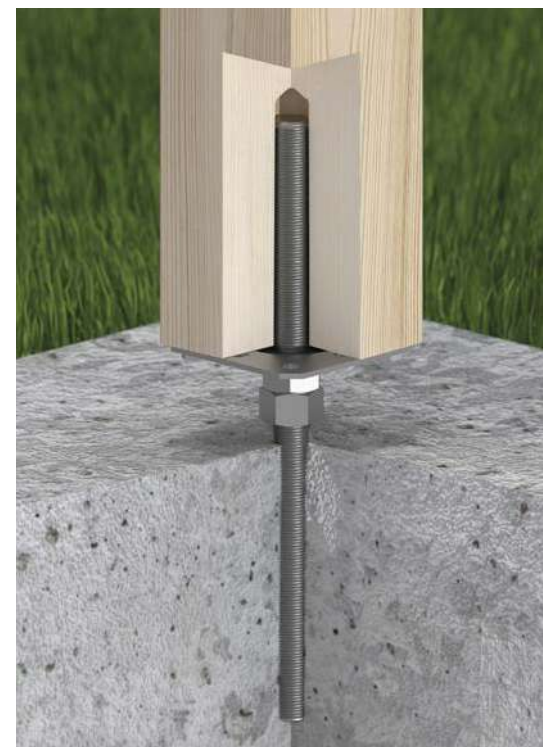
PPSR

Adjustable threaded post support



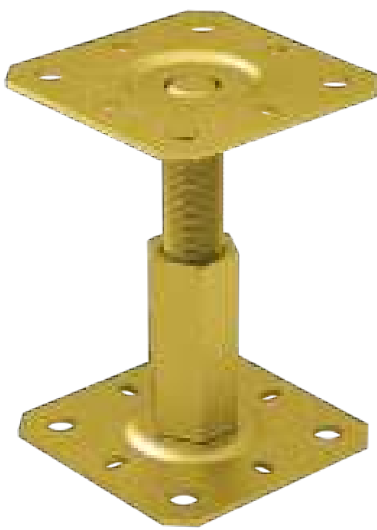
Loading capacity scheme		Mounting scheme		
Post support		PPSR 80	PPSR 100	PPSR 130
Load capacity $N_{Rd,V}$ [kN]*	load-bearing capacity of wood $N_{Rk,w}$	52,6	52,6	52,6
	load-bearing capacity of steel $N_{Rd,V,s}$	52,6	52,6	52,6
Load capacity $N_{Rd,H1}$ [kN]**	load-bearing capacity of wood $N_{Rk,H1,w}$	–	–	–
	load-bearing capacity of steel $N_{Rd,H1,s}$	–	–	–
Load capacity $N_{Rd,H2}$ [kN]***	load-bearing capacity of wood $N_{Rk,H2,w}$	–	–	–
	load-bearing capacity of steel $N_{Rd,H2,s}$	–	–	–
Certificate		ETA 18/1165	ETA 18/1165	ETA 18/1165

The forces are specified for a complete connection involving one connector.
 * Load capacity $N_{Rd,V}$ [kN] – vertical force load, directed downwards.
 ** Load capacity $N_{Rd,H1}$ [kN] – horizontal force load parallel to the axis of the bolt.
 *** Load capacity $N_{Rd,H2}$ [kN] – horizontal force load perpendicular to the axis of the bolt.



PR

Adjustable threaded post support



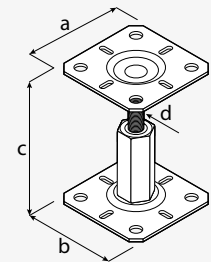
Application The support is used for fixing timber elements in the foundation, designed for vertical loads only. The adjustment allows determining the height of the assembled structure.

Material S235 + galvanization, silver or yellow; S235 + cataphoresis, black.

Mounting Wood: wood screws $\phi 6$; wood screws – CTO $\phi 10$; coach screws PWD $\phi 10$; concrete: ring anchors PBK M10, M12; concrete screw PBW $\phi 10,5$.

name	coat.	art no.	dimensions [mm]					holes [mm]		weight [g]	pack. [pcs]
			a	b	c	d	\neq	$\phi 12$	$\phi 6/9$		
PR 100/100	●	4880100	100	100	100–150	M20	3,0	8	4	925	4
	●	48801006	100	100	100–150	M20	3,0	8	4	925	4
	●	48801001	100	100	100–150	M20	3,0	8	4	925	4
PR 100/130	●	4880113	100	130	100–150	M20	3,0	8	4	1085	4
	●	48801136	100	130	100–150	M20	3,0	8	4	1085	4
	●	48801131	100	130	100–150	M20	3,0	8	4	1085	4
PR 130/130	●	4880130	130	130	100–150	M20	3,0	8	4	1225	4
	●	48801306	130	130	100–150	M20	3,0	8	4	1225	4
	●	48801301	130	130	100–150	M20	3,0	8	4	1225	4

coating:
 ● silver galvanization
 ● yellow galvanization
 ● cataphoresis



assembly
PR
 see page 159



Loading capacity scheme		Mounting scheme		
Post support		PR 100 100–150	PR 100 130–150	PR 130 130–150
Load capacity $N_{Rd,V}$ [kN]*	load-bearing capacity of wood $N_{Rk,V,w}$	40,8	40,8	40,8
	load-bearing capacity of steel $N_{Rd,V,s}$	40,8	40,8	40,8
Load capacity $N_{Rd,H1}$ [kN]**	load-bearing capacity of wood $N_{Rk,H1,w}$	–	–	–
	load-bearing capacity of steel $N_{Rd,H1,s}$	–	–	–
Load capacity $N_{Rd,H2}$ [kN]***	load-bearing capacity of wood $N_{Rk,H2,w}$	–	–	–
	load-bearing capacity of steel $N_{Rd,H2,s}$	–	–	–
Certificate		ETA 18/1165	ETA 18/1165	ETA 18/1165

The forces are specified for a complete connection involving one connector.
 * Load capacity $N_{Rd,V}$ [kN] – vertical force load, directed downwards.
 ** Load capacity $N_{Rd,H1}$ [kN] – horizontal force load parallel to the axis of the bolt.
 *** Load capacity $N_{Rd,H2}$ [kN] – horizontal force load perpendicular to the axis of the bolt.

PR

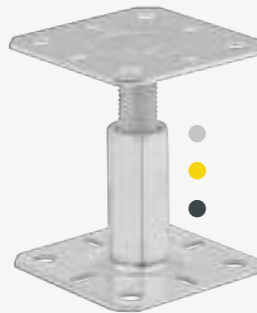
Adjustable
threaded
post support



PR 130/130



PR 100/130

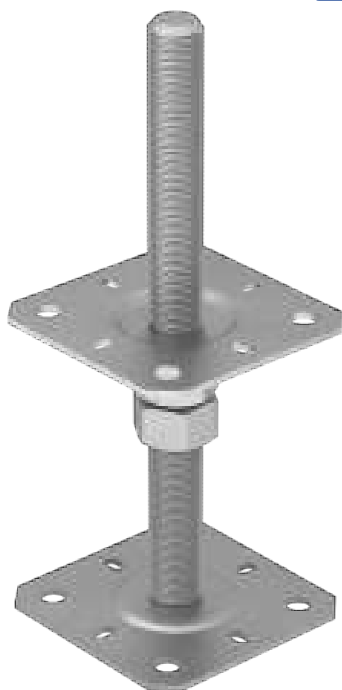


PR 100/100



PSR

Adjustable threaded post support



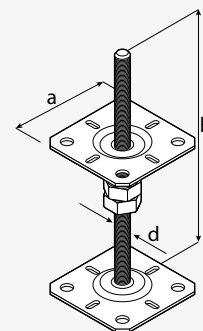
Application The support is used for fixing timber elements in the foundation, designed for vertical loads only. The adjustment allows determining the height of the assembled structure.

Material S235 + galvanization, silver; S235 + cataphoresis, black.

Mounting Wood: wood screws $\phi 6$; wood screws – CTO $\phi 10$; coach screws PWD $\phi 10$; concrete: ring anchors PBK M10, M12; concrete screw PBW $\phi 10,5$.

name	coat.	art no.	dimensions [mm]				holes [mm]			weight [g]	pack. [pcs]
			a	b	d	\neq	$\phi 12$	$\phi 6/4$	$\phi 6/9$		
PSR 80 M20	●	4881080	80	250	M20	3,0	8	8	–	875	4
	●	48810801	80	250	M20	3,0	8	8	–	875	4
PSR 100 M20	●	4881100	100	250	M20	3,0	8	–	8	1055	4
	●	48811001	100	250	M20	3,0	8	–	8	1055	4
PSR 130 M20	●	4881130	130	250	M20	3,0	8	–	8	1375	4
	●	48811301	130	250	M20	3,0	8	–	8	1375	4
PSR 80 M24	●	4888	80	250	M24	4,0	8	8	–	1179	4
	●	48881	80	250	M24	4,0	8	8	–	1179	4
PSR 100 M24	●	4889	100	250	M24	4,0	8	–	8	1621	4
	●	48891	100	250	M24	4,0	8	–	8	1621	4
PSR 130 M24	●	4889130	130	250	M24	4,0	8	–	8	1975	4
	●	48891301	130	250	M24	4,0	8	–	8	1975	4

coating:
 ● silver galvanization
 ● cataphoresis



assembly
PSR
 see page 158

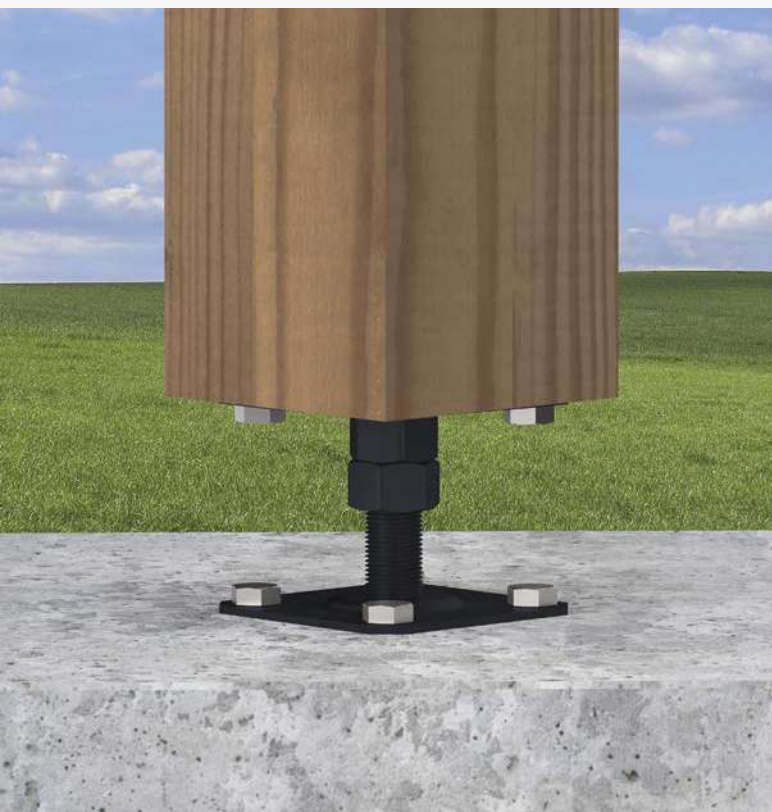
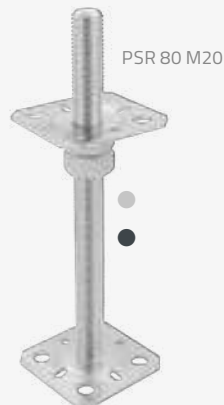
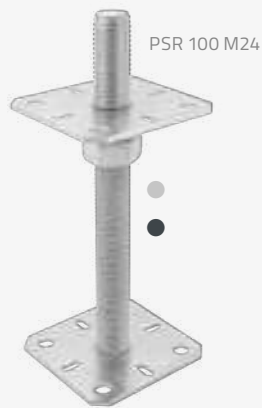


Loading capacity scheme		Mounting scheme					
Post support		PSR 80 M24	PSR 100 M24	PSR 130 M24	PSR 80 M20	PSR 100 M20	PSR 130 M20
Load capacity $N_{Rd,V}$ [kN]*	load-bearing capacity of wood $N_{Rk,V,w}$	49,3	49,3	49,3	40,8	40,8	40,8
	load-bearing capacity of steel $N_{Rd,V,s}$	49,3	49,3	49,3	40,8	40,8	40,8
Load capacity $N_{Rd,H1}$ [kN]**	load-bearing capacity of wood $N_{Rk,H1,w}$	–	–	–	–	–	–
	load-bearing capacity of steel $N_{Rd,H1,s}$	–	–	–	–	–	–
Load capacity $N_{Rd,H2}$ [kN]***	load-bearing capacity of wood $N_{Rk,H2,w}$	–	–	–	–	–	–
	load-bearing capacity of steel $N_{Rd,H2,s}$	–	–	–	–	–	–
Certificate		ETA 18/1165	ETA 18/1165	ETA 18/1165	ETA 18/1165	ETA 18/1165	ETA 18/1165

The forces are specified for a complete connection involving one connector.
 * Load capacity $N_{Rd,V}$ [kN] – vertical force load, directed downwards.
 ** Load capacity $N_{Rd,H1}$ [kN] – horizontal force load parallel to the axis of the bolt.
 *** Load capacity $N_{Rd,H2}$ [kN] – horizontal force load perpendicular to the axis of the bolt.

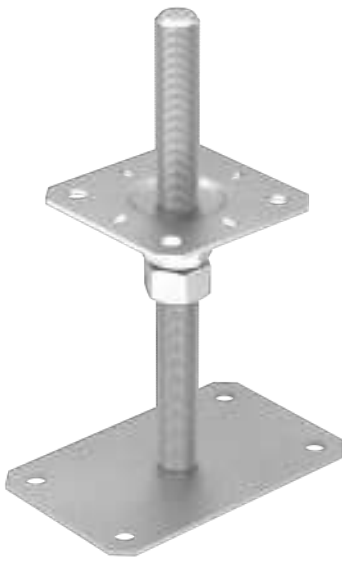
PSR

Adjustable
threaded
post support



PSRP

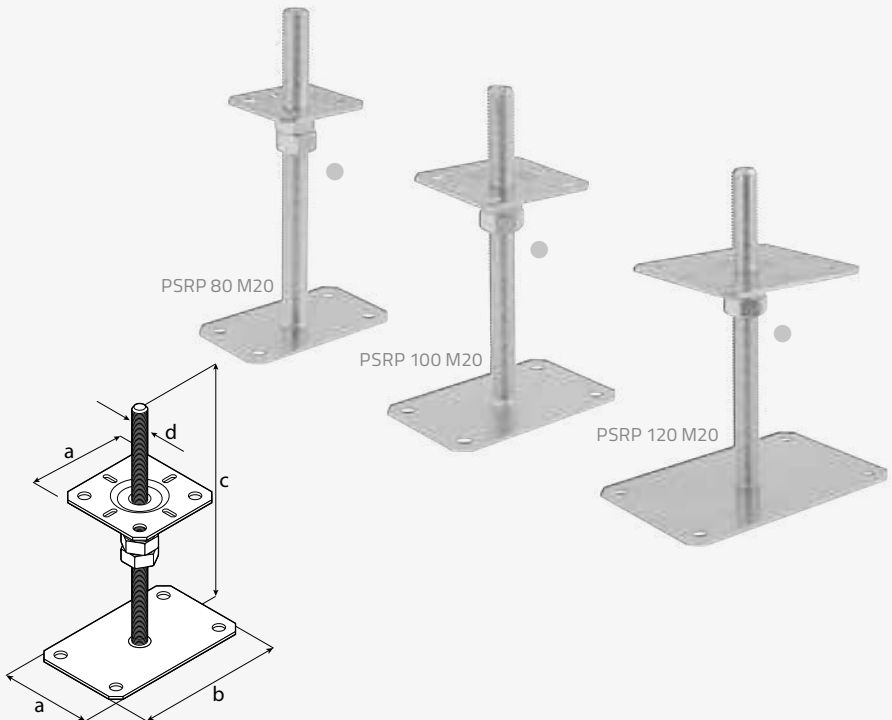
Adjustable threaded post support



Application Post support for mounting in hard ground, with individual adjustment of the distance between the post and the ground. For use under vertical loads.

Material S235 + silver galvanization.

Mounting Wood: wood screws $\phi 6$; wood screws – CTO $\phi 10$; coach screws PWD $\phi 10$; concrete: ring anchors PBK M10, M12; concrete screw PBW $\phi 10,5$.



name	coat.	art no.	dimensions [mm]					holes [mm]			weight [g]	pack. [pcs]
			a	b	c	d	\neq	$\phi 12$	$\phi 6/4$	$\phi 6/9$		
PSRP 80 M20	●	4882080	80	140	250	M20	3,0	8	4	–	995	4
PSRP 100 M20	●	4882100	100	160	250	M20	3,0	8	–	4	1195	4
PSRP 130 M20	●	4882130	130	200	250	M20	3,0	8	–	4	1595	4

coating:
● silver galvanization

assembly
PSRP
see page 153



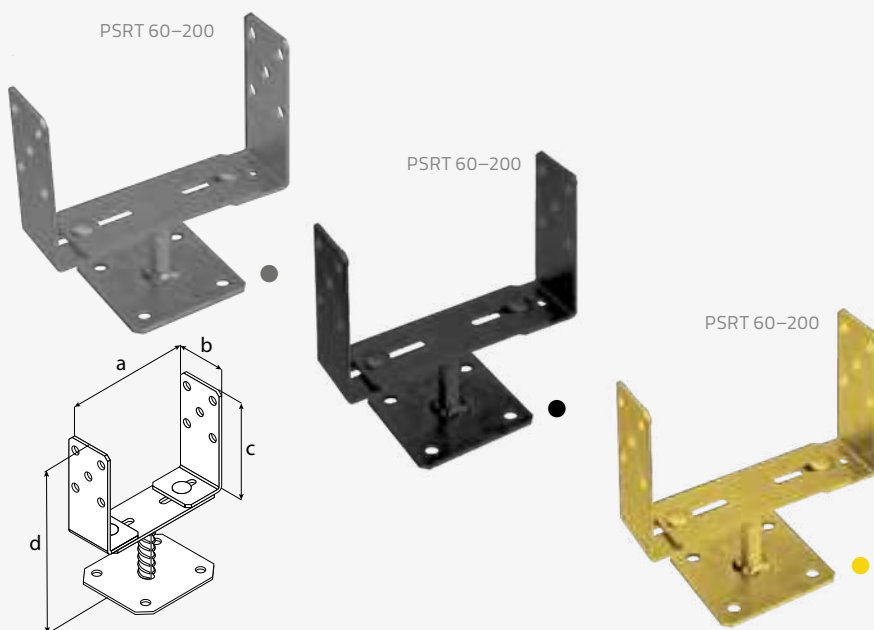
Loading capacity scheme		Mounting scheme		
Post support		PSRP 80 M20	PSRP 100 M20	PSRP 130 M20
Load capacity $N_{Rd,V}$ [kN]*	load-bearing capacity of wood $N_{Rk,V,w}$	40,8	40,8	40,8
	load-bearing capacity of steel $N_{Rd,V,s}$	40,8	40,8	40,8
Load capacity $N_{Rd,H1}$ [kN]**	load-bearing capacity of wood $N_{Rk,H1,w}$	–	–	–
	load-bearing capacity of steel $N_{Rd,H1,s}$	–	–	–
Load capacity $N_{Rd,H2}$ [kN]***	load-bearing capacity of wood $N_{Rk,H2,w}$	–	–	–
	load-bearing capacity of steel $N_{Rd,H2,s}$	–	–	–
Certificate		ETA 18/1165	ETA 18/1165	ETA 18/1165

The forces are specified for a complete connection involving one connector.
* Load capacity $N_{Rd,V}$ [kN] – vertical force load, directed downwards.
** Load capacity $N_{Rd,H1}$ [kN] – horizontal force load parallel to the axis of the bolt.
*** Load capacity $N_{Rd,H2}$ [kN] – horizontal force load perpendicular to the axis of the bolt.

- Application** The post support used for mounting of wooden elements with concrete and ensures proper expansion joint between wood and the ground. Thanks to its design, it allows using beams with custom dimensions with a cross-section of up to 200 mm.
- Material** S235 + hot-dip zinc; S235 + yellow galvanization; S235 + powder coated, black.
- Mounting** Wood: wood screws – CTO $\phi 10$; coach screws PWD $\phi 10$; PNP set; concrete: ring anchors PBK M10, M12; concrete screw PBW $\phi 10,5$.

PSRT

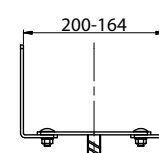
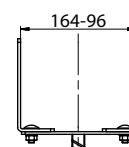
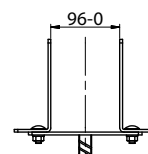
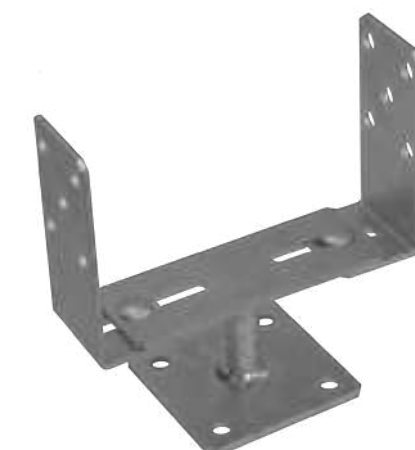
Adjustable
post support



name	coat.	art no.	dimensions [mm]				holes [mm]		weight [g]	pack. [pcs]
			a	b	c	d	≠	$\phi 12$		
PSRT 60-200	●	4886	0-200	60	135	204	4,0	14	1343	4
	●	48862	0-200	60	135	204	4,0	14	1343	4
	●	48866	0-200	60	135	204	4,0	14	1343	4

coating:

- hot-dip zinc
- powder coated, black
- yellow galvanization



Loading capacity scheme		Mounting scheme			
Post support		PSRT 60-200			
Beam dimensions		60×120	70×120	80×120	90×120
Load capacity $N_{Rd,V}$ [kN]*	load-bearing capacity of wood $N_{Rk,V,w}$	75,6	88,2	100,8	113,4
	load-bearing capacity of steel $N_{Rd,V,s}$	57,3	57,3	57,3	57,3
Load capacity $N_{Rd,H1}$ [kN]**	load-bearing capacity of wood $N_{Rk,H1,w}$	13	15,2	17,4	19,5
	load-bearing capacity of steel $N_{Rd,H1,s}$	0,5	0,5	0,5	0,5
Load capacity $N_{Rd,H2}$ [kN]***	load-bearing capacity of wood $N_{Rk,H2,w}$	-	-	-	-
	load-bearing capacity of steel $N_{Rd,H2,s}$	-	-	-	-
Certificate		ETA 15/0725	ETA 15/0725	ETA 15/0725	ETA 15/0725

The forces are specified for a complete connection involving one connector.
 * Load capacity $N_{Rd,V}$ [kN] – vertical force load, directed downwards.
 ** Load capacity $N_{Rd,H1}$ [kN] – horizontal force load parallel to the axis of the bolt.
 *** Load capacity $N_{Rd,H2}$ [kN] – horizontal force load perpendicular to the axis of the bolt.

PSP

Post support with rectangular base



Application Post support designed for the installation of timber elements in concrete. It ensures adequate expansion of the wood from the substrate.

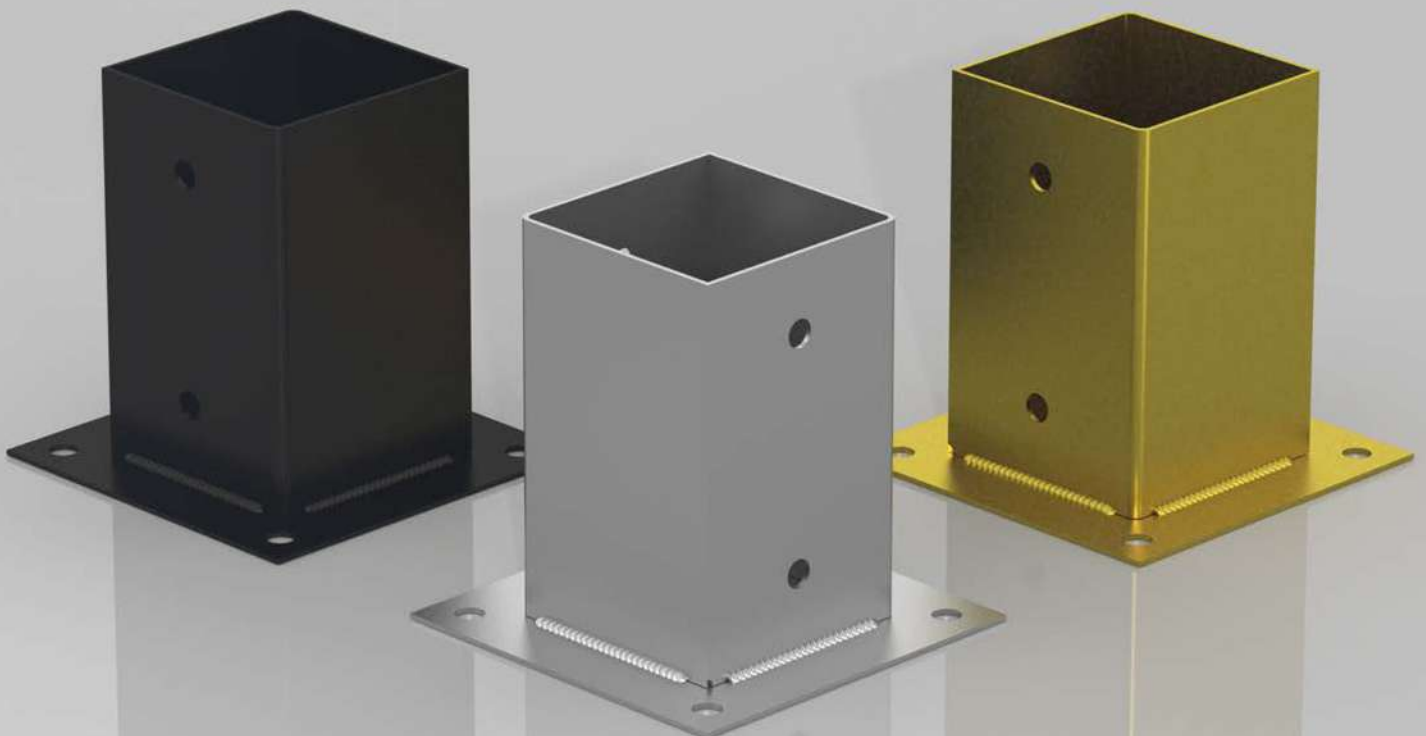
Material S235 + hot-dip zinc; S235 + yellow galvanization; S235 + powder coated, black.

Mounting Wood: wood screws – CTO \varnothing 10; coach screws PWD \varnothing 10; PNP set; concrete: ring anchors PBK M10, M12; concrete screw PBW \varnothing 10,5.

name	coat.	art no.	dimensions [mm]				holes [mm]		weight [g]	pack. [szt.]
			a	b	c	\neq	\varnothing 11	\varnothing 12		
PSP 70	●	4841	71	150	150	1,8	4	8	856	12
	●	48412	71	150	150	1,8	4	8	856	1
	●	48416	71	150	150	1,8	4	8	856	1
PSP 90	●	4842	91	150	150	1,8	4	8	1050	10
	●	48422	91	150	150	1,8	4	8	1050	1
	●	48426	91	150	150	1,8	4	8	1050	1
PSP 100	●	4843	101	150	150	2,0	4	8	1182	10
	●	48436	101	150	150	2,0	4	8	1182	1
PSP 120	●	4846	121	150	180	2,0	4	7	1626	1
	●	48466	121	150	180	2,0	4	7	1626	1
PSP 140	●	4847140	141	150	220	2,5	4	9	2550	1
	●	48471406	141	150	220	2,5	4	9	2550	1
PSP 160	●	4847160	161	200	220	2,5	4	9	3420	1
	●	48471606	161	200	220	2,5	4	9	3420	1
PSP 200	●	4847200	201	200	260	2,5	4	9	4420	1
	●	48472006	201	200	260	2,5	4	9	4420	1

coating:

- hot-dip zinc
- yellow galvanization
- powder coated, black

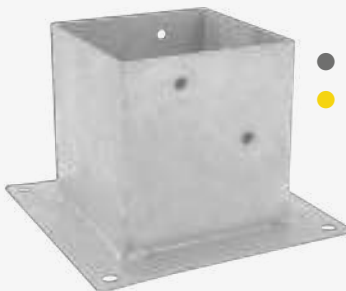


PSP

Post support with rectangular base



PSP 200



PSP 160



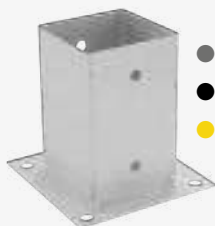
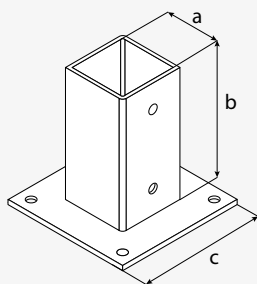
PSP 140



PSP 120



PSP 100



PSP 90



PSP 70



Loading capacity scheme		Mounting scheme						
Post support		PSP 70	PSP 90	PSP 100	PSP 120	PSP 140	PSP 160	PSP 200
Load capacity $N_{Rd,V}$ [kN]*	load-bearing capacity of wood $N_{Rk,V,w}$	13,4	13,4	14,1	14,1	15,1	15,1	15,1
	load-bearing capacity of steel $N_{Rd,V,s}$	21,6	21,6	28,8	28,8	–	–	–
Load capacity $N_{Rd,H1}$ [kN]**	load-bearing capacity of wood $N_{Rk,H1,w}$	11,4	14,6	16,3	19,5	22,8	34	42,5
	load-bearing capacity of steel $N_{Rd,H1,s}$	11,2	15,3	23,2	28,6	–	–	–
Load capacity $N_{Rd,H2}$ [kN]***	load-bearing capacity of wood $N_{Rk,H2,w}$	11,4	14,6	16,3	19,5	22,8	34	42,5
	load-bearing capacity of steel $N_{Rd,H2,s}$	11,2	15,3	23,2	28,6	–	–	–
Certificate		ETA 15/0725	ETA 15/0725	ETA 15/0725	ETA 15/0725	ETA 20/1044	ETA 20/1044	ETA 20/1044

*The forces are specified for a complete connection involving one connector.
 * Load capacity $N_{Rd,V}$ [kN] – vertical force load, directed downwards.
 ** Load capacity $N_{Rd,H1}$ [kN] – horizontal force load parallel to the axis of the bolt.
 *** Load capacity $N_{Rd,H2}$ [kN] – horizontal force load perpendicular to the axis of the bolt.*



assembly
PSP
 see page 161

PSPD

Post support



Application Support used for connecting square wooden posts in concrete. The fixing holes on the outside of the support ensure stability of the structure, while the deep cut-out sides allow the wood to be exposed more effectively.

Material S235 + hot-dip zinc; S235 + yellow galvanization; S235 + powder coated, black or anthracite.

Mounting Wood: wood screws – CTO \varnothing 10; coach screws PWD \varnothing 10; PNP set; concrete: ring anchors PBK M10, M12; concrete screw PBW \varnothing 10,5.

name	coat.	art no.	dimensions [mm]				holes [mm]		weight [g]	pack. [pcs]
			a	b	c	≠	\varnothing 11	\varnothing 12		
PSPD 70	●	4849070	71	150	150	2,0	4	9	850	1
	●	48490702	71	150	150	2,0	4	9	850	1
	◆	48490703	71	150	150	2,0	4	9	850	1
	●	48490706	71	150	150	2,0	4	9	850	1
PSPD 90	●	4849090	91	150	150	2,0	4	9	950	1
	●	48490902	91	150	150	2,0	4	9	950	1
	◆	48490903	91	150	150	2,0	4	9	950	1
PSPD 100	●	4849100	101	150	180	2,5	4	9	1620	1
	●	48491002	101	150	180	2,5	4	9	1620	1
	◆	48491003	101	150	180	2,5	4	9	1620	1
	●	48491006	101	150	180	2,5	4	9	1620	1
PSPD 120	●	4849120	121	150	180	2,5	4	9	1730	1
	●	48491202	121	150	180	2,5	4	9	1730	1
	◆	48491203	121	150	180	2,5	4	9	1730	1
	●	48491206	121	150	180	2,5	4	9	1730	1
PSPD 140	●	4849140	142	200	220	3,0	4	9	3200	1
PSPD 150	●	4849150	152	200	220	3,0	4	9	3300	1
PSPD 160	●	4849160	162	200	220	3,0	4	9	3490	1
PSPD 200	●	4849200	202	200	260	3,0	4	9	4710	1

coating:

- hot-dip zinc
- powder coated, black
- ◆ powder coated, anthracite
- yellow galvanization



PSPD

Post support



PSPD 200



PSPD 160



PSPD 150



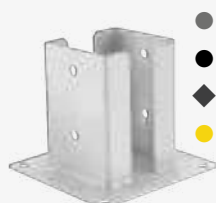
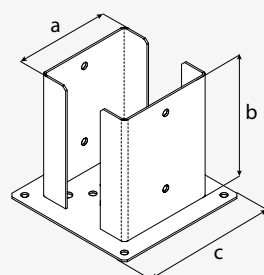
PSPD 140



PSPD 120



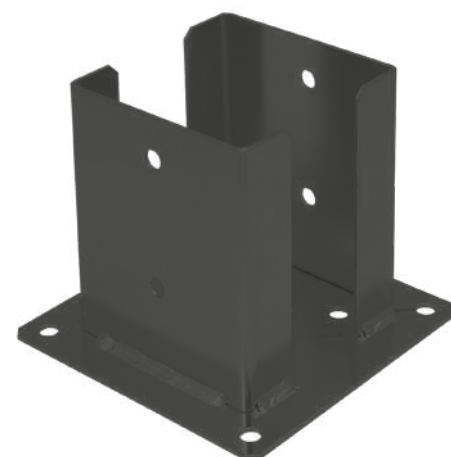
PSPD 100



PSPD 90



PSPD 70



assembly
PSPD
see page 161

Loading capacity scheme		Mounting scheme							
Post support		PSPD 70	PSPD 90	PSPD 100	PSPD 120	PSPD 140	PSPD 150	PSPD 160	PSPD 200
Load capacity $N_{Rd,V}$ [kN]*	load-bearing capacity of wood $N_{Rk,V,w}$	14,1	14,1	15,1	15,1	16	16	16	16
	load-bearing capacity of steel $N_{Rd,V,s}$	28,8	28,8	36	36	43,2	43,2	43,2	43,2
Load capacity $N_{Rd,H1}$ [kN]**	load-bearing capacity of wood $N_{Rk,H1,w}$	16,5	28,4	35,6	45,8	70,9	75,9	81	101,3
	load-bearing capacity of steel $N_{Rd,H1,s}$	5,7	5,7	12,4	12,4	18,4	18,4	22,9	29
Load capacity $N_{Rd,H2}$ [kN]***	load-bearing capacity of wood $N_{Rk,H2,w}$	11,8	11,8	12,7	12,7	13	13	13	13
	load-bearing capacity of steel $N_{Rd,H2,s}$	17,5	17,5	21,8	21,8	26,2	26,2	26,2	26,2
Certificate		ETA 20/1044	ETA 20/1044	ETA 20/1044	ETA 20/1044	ETA 20/1044	ETA 20/1044	ETA 20/1044	ETA 20/1044

The forces are specified for a complete connection involving one connector.
 * Load capacity $N_{Rd,V}$ [kN] – vertical force load, directed downwards.
 ** Load capacity $N_{Rd,H1}$ [kN] – horizontal force load parallel to the axis of the bolt.
 *** Load capacity $N_{Rd,H2}$ [kN] – horizontal force load perpendicular to the axis of the bolt.

PSD

Post support



Application Divided support used for connecting wooden posts in concrete. Using two PSD supports allows to place a rectangular post in these supports and to adapt them to the post's width. The use of a single PSD support allows the pole to be mounted at the wall.

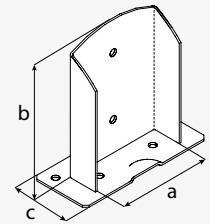
Material S235 + silver or yellow galvanization.

Mounting Wood: wood screws – CTO $\phi 10$; coach screws PWD $\phi 10$; PNP set; concrete: ring anchors PBK M10, M12; concrete screw PBW $\phi 10,5$.

name	coat.	art no.	dimensions [mm]				holes [mm]		weight [g]	pack. [pcs]
			a	b	c	\neq	$\phi 11$	$\phi 12$		
PSD 90	●	4935090	91	150	71	2,0	2	4	488	1
	●	49350906	91	150	71	2,0	2	4	488	1
PSD 100	●	4935100	101	150	75	2,5	2	4	728	1
	●	49351006	101	150	75	2,5	2	4	728	1
PSD 120	●	4935120	121	150	85	2,5	2	4	836	1
	●	49351206	121	150	85	2,5	2	4	836	1
PSD 140	●	4935140	141	200	90	2,5	2	4	1441	1
	●	49351406	141	200	90	2,5	2	4	1441	1
PSD 160	●	4935160	161	200	100	3,0	2	4	1756	1
	●	49351606	161	200	100	3,0	2	4	1756	1
PSD 200	●	4935200	201	200	120	3,0	2	4	2318	1
	●	49352006	201	200	120	3,0	2	4	2318	1

coating:

- silver galvanization
- yellow galvanization



Loading capacity scheme		Mounting scheme					
Post support		PSD 90	PSD 100	PSD 120	PSD 140	PSD 160	PSD 200
Load capacity $N_{Rd,V}$ [kN]*	load-bearing capacity of wood $N_{Rk,V,w}$	14,1	14,1	15,1	15,1	16	16
	load-bearing capacity of steel $N_{Rd,V,s}$	28,8	28,8	36	36	43,2	43,2
Load capacity $N_{Rd,H1}$ [kN]**	load-bearing capacity of wood $N_{Rk,H1,w}$	16,5	28,4	35,6	45,8	70,9	75,9
	load-bearing capacity of steel $N_{Rd,H1,s}$	5,7	5,7	12,4	12,4	18,4	18,4
Load capacity $N_{Rd,H2}$ [kN]***	load-bearing capacity of wood $N_{Rk,H2,w}$	11,8	11,8	12,7	12,7	13	13
	load-bearing capacity of steel $N_{Rd,H2,s}$	17,5	17,5	21,8	21,8	26,2	26,2
Certificate		ETA 20/1044	ETA 20/1044	ETA 20/1044	ETA 20/1044	ETA 20/1044	ETA 20/1044

The forces are specified for a complete connection involving one connector.
 * Load capacity $N_{Rd,V}$ [kN] – vertical force load, directed downwards.
 ** Load capacity $N_{Rd,H1}$ [kN] – horizontal force load parallel to the axis of the bolt.
 *** Load capacity $N_{Rd,H2}$ [kN] – horizontal force load perpendicular to the axis of the bolt.

PSD

Post support



PSD 200



PSD 160



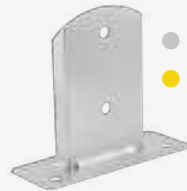
PSD 140



PSD 120



PSD 100



PSD 90



PSP DX

Post support open



Application

Post support used for the installation of timber elements with concrete. It ensures adequate expansion of the wood from the substrate. Using two PSP DX supports allows placing a rectangular post in these supports and to adapt them to the post's width. The use of a single PSP DX support allows the pole to be mounted at the wall.

Material

DX51D + Z275.

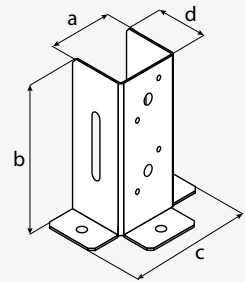
Mounting

Wood: ANCHOR ring nails $\phi 4$; ANW Torx20 socket screws; wood screws – CTO $\phi 10$; coach screws PWD $\phi 10$; concrete: ring anchors PBK M10, M12; concrete screw PBW $\phi 10,5$.

name	coat.	art no.	dimensions [mm]						holes [mm]						weight [g]	pack. [pcs]
			a	b	c	d	\neq	$\phi 5$	$\phi 7$	$\phi 11$	$\phi 12$	$\phi 7/33$	$\phi 11/49$	$\phi 11/56$		
PSP DX 45	●	4851	46	102	102	41	1,5	-	2	-	3	2	-	-	173	10
PSP DX 70	●	4852	71	152	151	66	2,0	4	-	2	3	-	-	2	553	10
PSP DX 90	●	4853	91	152	171	86	2,0	4	-	2	3	-	-	2	727	10
PSP DX 100	●	4854	101	152	181	89	2,0	4	-	2	3	-	2	-	783	10
PSP DX 120	●	4855	121	152	201	105	2,0	4	-	2	3	-	2	-	938	10
PSP DX 140	●	4856	141	152	221	105	2,5	4	-	2	4	-	2	-	938	10
PSP DX 150	●	4857	151	152	231	105	2,5	4	-	2	4	-	2	-	938	10

coating:

- DX51D + Z275MAC



Loading capacity scheme		Mounting scheme						
Post support		PSP DX 45	PSP DX 70	PSP DX 90	PSP DX 100	PSP DX 120	PSP DX 140	PSP DX 150
Load capacity $N_{Rd,V}$ [kN]*	load-bearing capacity of wood $N_{Rk,V,w}$	4,7	7,1	7,1	7,1	7,1	7,1	7,6
	load-bearing capacity of steel $N_{Rd,V,s}$	7,6	14,4	14,4	14,4	14,4	14,4	18
Load capacity $N_{Rd,H1}$ [kN]**	load-bearing capacity of wood $N_{Rk,H1,w}$	6,1	16,5	28,4	35,5	42,6	49,6	64,5
	load-bearing capacity of steel $N_{Rd,H1,s}$	0,5	0,7	0,9	1	1,2	1,5	1,6
Load capacity $N_{Rd,H2}$ [kN]***	load-bearing capacity of wood $N_{Rk,H2,w}$	3,1	4,8	5,9	5,9	5,9	5,9	6,4
	load-bearing capacity of steel $N_{Rd,H2,s}$	6,9	13,1	13,1	13,1	13,1	13,1	16,4
Certificate		ETA 20/1044	ETA 20/1044	ETA 20/1044	ETA 20/1044	ETA 20/1044	ETA 20/1044	ETA 20/1044

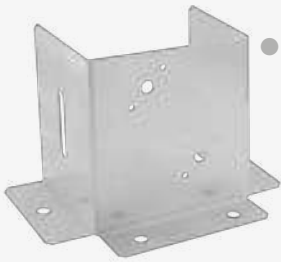
The forces are specified for a complete connection involving one connector.
 * Load capacity $N_{Rd,V}$ [kN] – vertical force load, directed downwards.
 ** Load capacity $N_{Rd,H1}$ [kN] – horizontal force load parallel to the axis of the bolt.
 *** Load capacity $N_{Rd,H2}$ [kN] – horizontal force load perpendicular to the axis of the bolt.

PSP DX

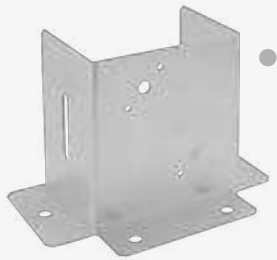
Post support open



PSP DX 150



PSP DX 140



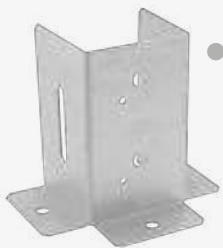
PSP DX 120



PSP DX 100



PSP DX 90



PSP DX 70



PSP DX 45



PSPW

Post support



Application Support used for connecting square wooden posts with concrete. Unlike other supports, the PSPW has fixings positioned within the post's clearance, rather than outside it, which enhances the product's aesthetic appeal.

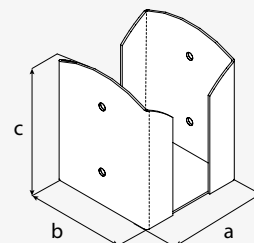
Material S235 + galvanization, yellow or silver; S235 + powder coated, black or anthracite.

Mounting Wood: wood screws – CTO $\varnothing 10$; coach screws PWD $\varnothing 10$; PNP set; concrete: ring anchors PBK M10, M12; concrete screw PBW $\varnothing 10,5$.

name	coat.	art no.	dimensions [mm]				holes [mm]		weight [g]	pack. [pcs]
			a	b	c	≠	$\varnothing 11$	$\varnothing 12$		
PSPW 90	●	4848090	92	92	150	2,0	4	5	703	1
	●	48480902	92	92	150	2,0	4	5	703	1
	◆	48480903	92	92	150	2,0	4	5	703	1
	●	48480906	92	92	150	2,0	4	5	703	1
PSPW 100	●	4848100	102	102	150	2,5	4	5	1132	1
	●	48481002	102	102	150	2,5	4	5	1132	1
	◆	48481003	102	102	150	2,5	4	5	1132	1
	●	48481006	102	102	150	2,5	4	5	1132	1
PSPW 120	●	4848120	122	122	150	2,5	4	5	1328	1
	●	48481202	122	122	150	2,5	4	5	1328	1
	◆	48481203	122	122	150	2,5	4	5	1328	1
	●	48481206	122	122	150	2,5	4	5	1328	1
PSPW 140	●	4848140	142	142	200	3,0	4	5	2466	1
PSPW 150	●	4848150	152	152	200	3,0	4	5	2624	1
PSPW 160	●	4848160	162	162	200	3,0	4	5	2956	1
PSPW 200	●	4848200	202	202	200	3,0	4	5	3905	1

coating:

- silver galvanization
- powder coated, black
- ◆ powder coated, anthracite
- yellow galvanization



Loading capacity scheme		Mounting scheme						
Post support		PSPW 90	PSPW 100	PSPW 120	PSPW 140	PSPW 150	PSPW 160	PSPW 200
Load capacity $N_{Rd,V}$ [kN]*	load-bearing capacity of wood $N_{Rk,V,w}$	14,1	15,1	15,1	16	16	16	16
	load-bearing capacity of steel $N_{Rd,V,s}$	28,8	36	36	43,2	43,2	43,2	43,2
Load capacity $N_{Rd,H1}$ [kN]**	load-bearing capacity of wood $N_{Rk,H1,w}$	28,4	35,6	42,9	67,6	72,4	77,2	96,5
	load-bearing capacity of steel $N_{Rd,H1,s}$	5,7	12,6	12,6	18	18	22,9	29
Load capacity $N_{Rd,H2}$ [kN]***	load-bearing capacity of wood $N_{Rk,H2,w}$	11,8	12,7	12,7	13	13	13	13
	load-bearing capacity of steel $N_{Rd,H2,s}$	17,5	21,8	21,8	34,6	34,6	34,6	34,6
Certificate		ETA 20/1044	ETA 20/1044	ETA 20/1044	ETA 20/1044	ETA 20/1044	ETA 20/1044	ETA 20/1044

The forces are specified for a complete connection involving one connector.

* Load capacity $N_{Rd,V}$ [kN] – vertical force load, directed downwards.

** Load capacity $N_{Rd,H1}$ [kN] – horizontal force load parallel to the axis of the bolt.

*** Load capacity $N_{Rd,H2}$ [kN] – horizontal force load perpendicular to the axis of the bolt.

PSPW

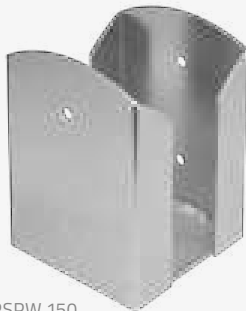
Post support



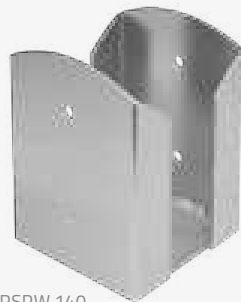
PSPW 200



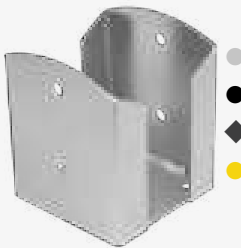
PSPW 160



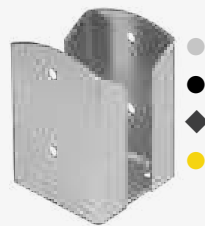
PSPW 150



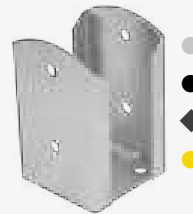
PSPW 140



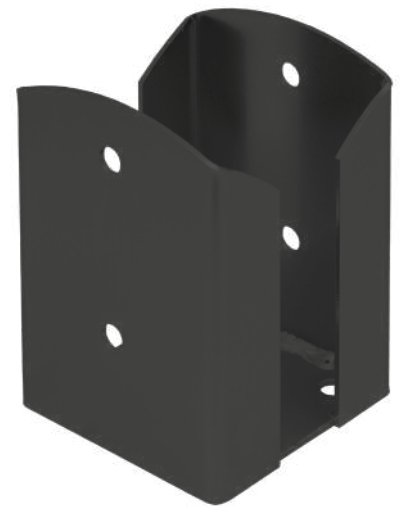
PSPW 120



PSPW 100



PSPW 90



assembly
PSPW
see page 160-161

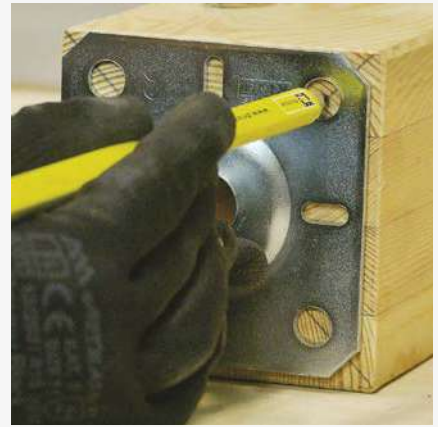
PSR/PSRP



1 Determination of post diagonals.



2 Reaming the bar hole.



3 Marking the locations for wood screws.



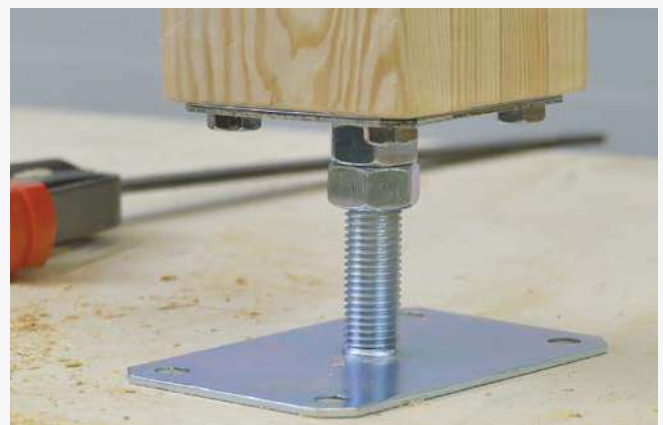
4 Reaming holes for wood screws.



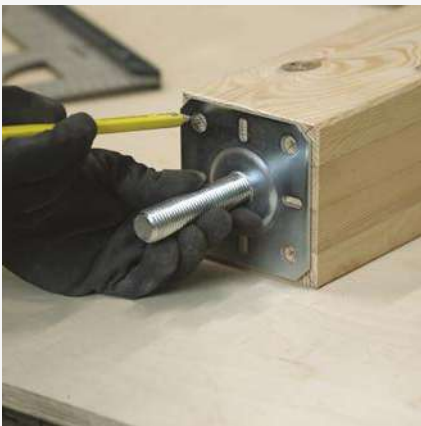
5 Fixing the top plate to the underside of the post.



6 Overlaying the post on the threaded bar assembled with the bottom plate.



7 Determining the height of the post offsets and counteracting the nuts.



1 Marking the locations for wood screws.



2 Reaming holes for wood screws.



3 Fixing the top plate to the underside of the post.



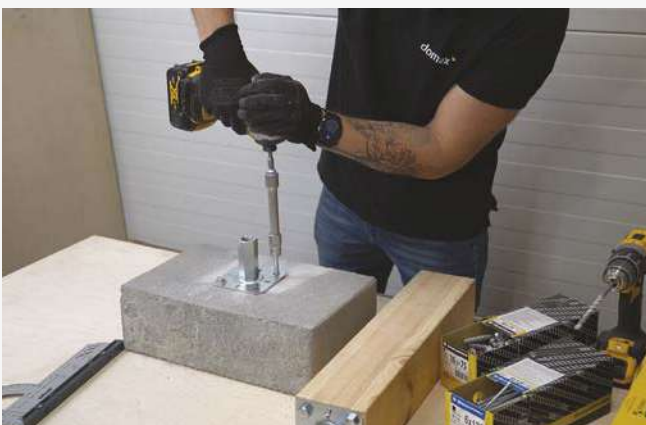
4 Additional bean holes for fully threaded screws, fixing at an angle of approximately 30°.



5 Applying the lower support plate and marking out the drilling points in the concrete.



6 Reaming holes in concrete.



7 Screwing the bottom plate to the concrete using screws.



8 Adjusting the height of the post offset from the concrete.



see the instructional video

PUW/PSW



1 Making a cutout in the centre of the post for a recessed support.



2 Marking out holes for mounting kit for post supports.



3 Drilling holes through.



4 Recessing the support into the centre of the post.



5 Screwing the whole assembly together with nuts using a threaded rod.

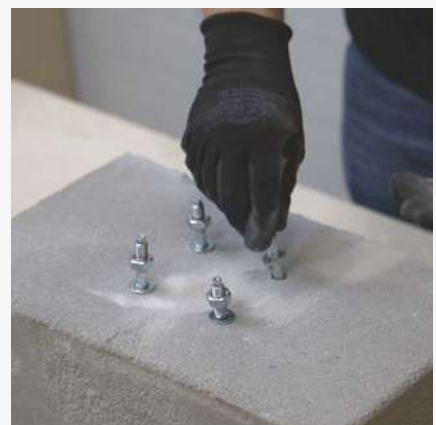
PSPW/PSO/PSOZ/PSOL



1 Determining hole locations.



2 Reaming holes in concrete.



3 Setting ring anchors.



PSP/PSPD/PSPN/PSPA/PSPO/PSPOD



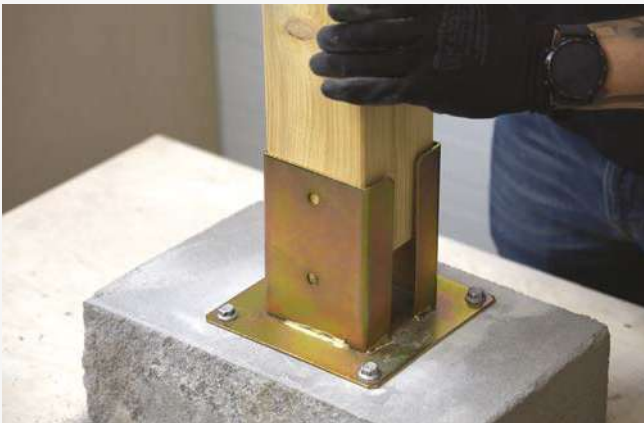
1 Determining hole locations for ring anchors.



2 Reaming holes in concrete.



3 Fixing the support into concrete.



4 Setting the post into the support.



5 Screwing it into the garden structures.

PSPW/PSO/PSOZ/PSOL



4 Driving in ring anchors.



5 Fixing the support into concrete.

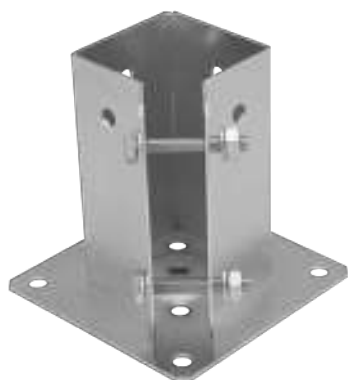


6 Setting the post into the support and screwing it into the garden structures.



PSPA

Post support



Application

Support used for connecting square wooden posts with concrete. The double clamps allow the post to be installed quickly without the need for drilling.

Material

S235 + silver galvanization.

Mounting

Wood: wood screws – CTO $\phi 10$; coach screws PWD $\phi 10$; PNP set; concrete: ring anchors PBK M10, M12; concrete screw PBW $\phi 10,5$.



PSPA 150



PSPA 120



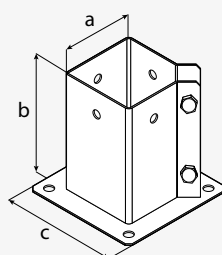
PSPA 100



PSPA 90



PSPA 75



assembly
PSPA
see page 161

name	coat.	art no.	dimensions [mm]				holes [mm]		weight [g]	pack. [pcs]
			a	b	c	#	$\phi 11$	$\phi 12$		
PSPA 75	●	4930075	76	150	150	2,0	8	9	1110	1
PSPA 90	●	4930090	91	150	150	2,0	8	9	1250	1
PSPA 100	●	4930100	101	150	180	2,0	8	9	1500	1
PSPA 120	●	4930120	121	150	180	2,0	8	9	1680	1
PSPA 150	●	4930150	151	150	220	2,0	8	9	2210	1

coating:

● silver galvanization

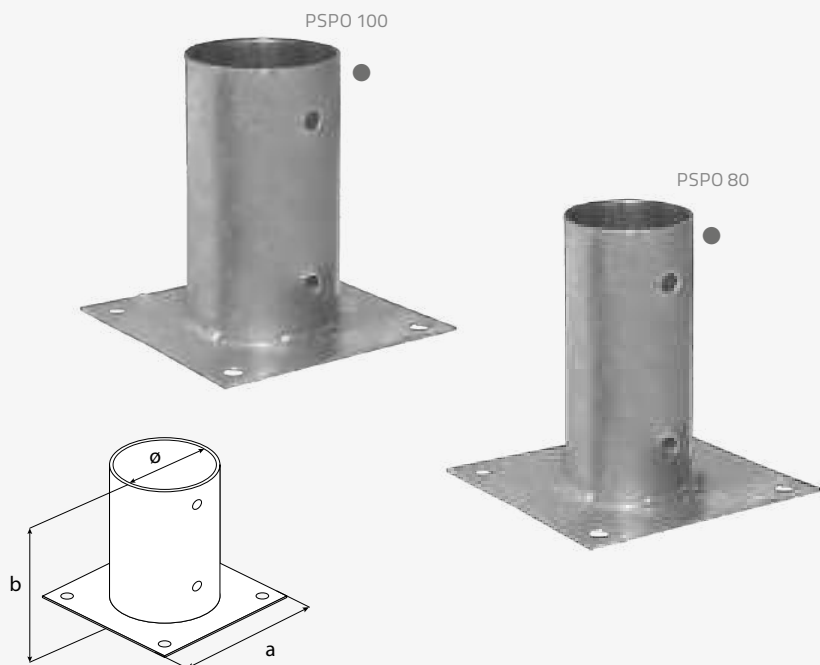
Application Post support designed for the installation of circular timber elements with concrete. It ensures adequate expansion of the wood from the substrate.

Material S235 + hot-dip zinc.

Mounting Wood: wood screws – CTO $\phi 10$; coach screws PWD $\phi 10$; concrete: ring anchors PBK M10, concrete screw PBW $\phi 10,5$.

PSPO

Post support



name	coat.	art no.	dimensions [mm]				holes [mm]		weight [g]	pack. [pcs]
			ϕ	a	b	\neq	$\phi 11$			
PSPO 80	●	4844	81	150	150	2,0	11	956	1	
PSPO 100	●	4845	101	150	150	2,0	11	1139	1	

coating:
● hot-dip zinc

Loading capacity scheme		Mounting scheme	
Post support		PSPO 80	PSPO 100
Load capacity $N_{Rd,V}$ [kN]*	load-bearing capacity of wood $N_{Rk,V,w}$	13,4	13,4
	load-bearing capacity of steel $N_{Rd,V,s}$	21,6	21,6
Load capacity $N_{Rd,H1}$ [kN]**	load-bearing capacity of wood $N_{Rk,H1,w}$	9,8	15,2
	load-bearing capacity of steel $N_{Rd,H1,s}$	25,2	30,8
Load capacity $N_{Rd,H2}$ [kN]***	load-bearing capacity of wood $N_{Rk,H2,w}$	9,8	15,2
	load-bearing capacity of steel $N_{Rd,H2,s}$	25,2	30,8
Certificate		ETA 15/0725	ETA 15/0725

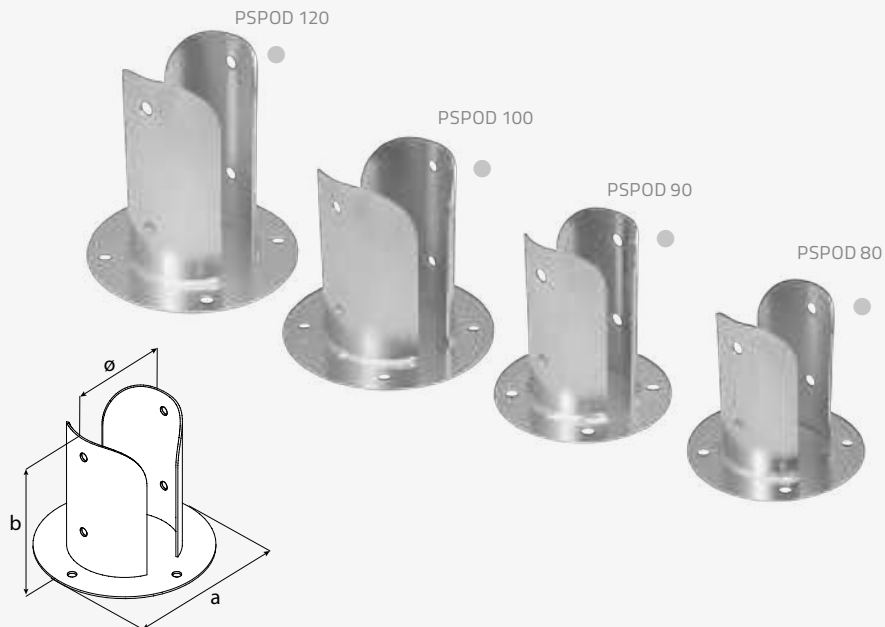
The forces are specified for a complete connection involving one connector.
* Load capacity $N_{Rd,V}$ [kN] – vertical force load, directed downwards.
** Load capacity $N_{Rd,H1}$ [kN] – horizontal force load parallel to the axis of the bolt.
*** Load capacity $N_{Rd,H2}$ [kN] – horizontal force load perpendicular to the axis of the bolt.



assembly
PSPO
see page 161

PSPOD

Post support



name	coat.	art no.	dimensions [mm]				holes [mm]		weight [g]	pack. [pcs]
			ø	a	b	≠	ø11	ø12		
PSPOD 80	●	4850080	81	150	150	2,0	4	4	740	1
PSPOD 90	●	4850090	91	150	165	2,0	4	4	790	1
PSPOD 100	●	4850100	101	180	180	2,5	4	4	1260	1
PSPOD 120	●	4850120	121	180	210	2,5	4	4	1680	1

coating:
● silver galvanization

assembly
PSPOD
see page 161



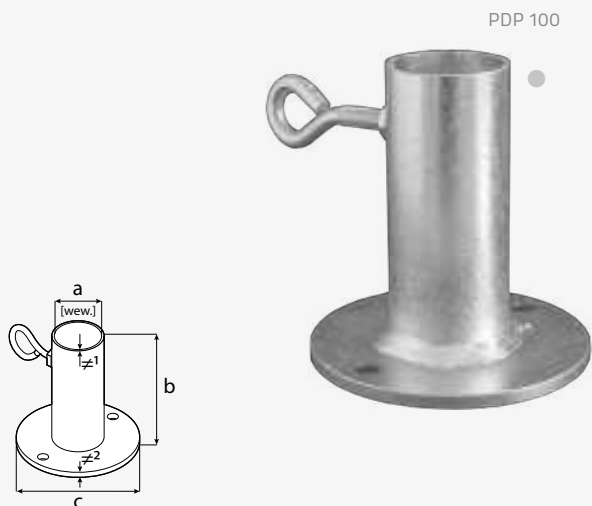
Loading capacity scheme		Mounting scheme			
Post support		PSPOD 80	PSPOD 90	PSPOD 100	PSPOD 120
Load capacity $N_{Rd,V}$ [kN]*	load-bearing capacity of wood $N_{Rk,V,w}$	14,1	14,1	15,1	15,1
	load-bearing capacity of steel $N_{Rd,V,s}$	28,8	28,8	36	36
Load capacity $N_{Rd,H1}$ [kN]**	load-bearing capacity of wood $N_{Rk,H1,w}$	20,1	25,4	31,4	45,2
	load-bearing capacity of steel $N_{Rd,H1,s}$	0,8	0,8	1	1
Load capacity $N_{Rd,H2}$ [kN]***	load-bearing capacity of wood $N_{Rk,H2,w}$	11,8	11,8	12,7	12,7
	load-bearing capacity of steel $N_{Rd,H2,s}$	21,8	21,8	27,3	27,3
Certificate		ETA 20/1044	ETA 20/1044	ETA 20/1044	ETA 20/1044

The forces are specified for a complete connection involving one connector.
* Load capacity $N_{Rd,V}$ [kN] – vertical force load, directed downwards.
** Load capacity $N_{Rd,H1}$ [kN] – horizontal force load parallel to the axis of the bolt.
*** Load capacity $N_{Rd,H2}$ [kN] – horizontal force load perpendicular to the axis of the bolt.

Application Post support fitted with an M8 eye bolt, designed for the installation of vertical circular elements (e.g. umbrella shaft) with concrete.

Material S235 + silver galvanization.

Mounting Concrete: concrete screw PBW $\phi 7,5$.



name	coat.	art no.	dimensions [mm]					holes [mm]		weight [g]	pack. [pcs]
			a	b	c	\neq^1	\neq^2	$\phi 9$			
PDP 100	●	4840	38	105	100	2,0	5,0	2	547	10	

coating:
● silver galvanization

PDP

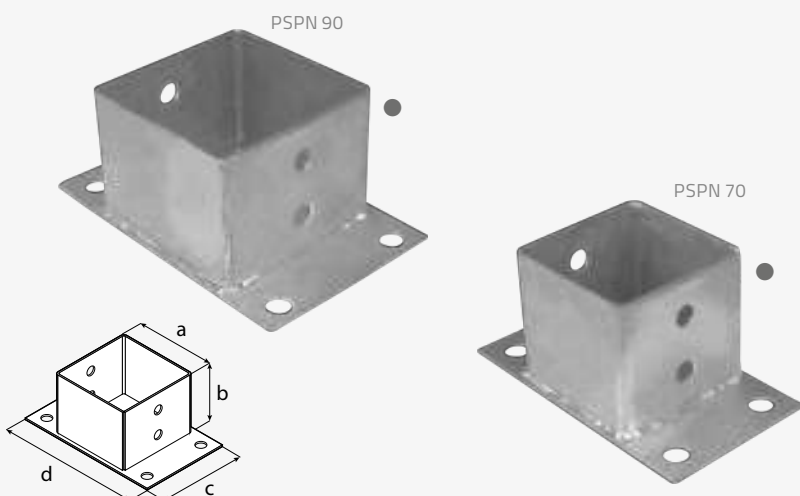
Screw-in umbrella support



Application Low post support designed for the installation of timber elements with concrete. It ensures adequate expansion of the wood from the substrate.

Material S235 + hot-dip zinc.

Mounting Wood: wood screws – CTO $\phi 10$; coach screws PWD $\phi 10$; concrete: ring anchors PBK M10, M12; concrete screw PBW $\phi 10,5$.



name	coat.	art no.	dimensions [mm]					holes [mm]		weight [g]	pack. [pcs]
			a	b	c	d	\neq	$\phi 11$	$\phi 12$		
PSPN 70	●	4839070	71	70	85	150	2,0	4	5	500	1
PSPN 90	●	4839090	91	70	105	170	2,0	4	5	670	1

coating:
● hot-dip zinc

PSPN

Post support with rectangular base



PUW

Post support



Application

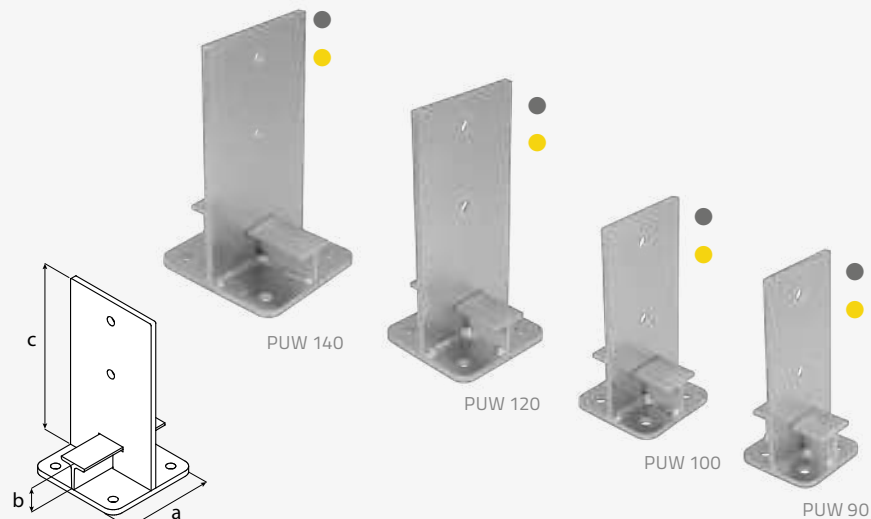
The post base to be mounted in a hard surface. A T-bar at the bottom of the part provides support for the beam so that the structure is robust and provides proper expansion of the post from the ground. They can be coated with a decorative paint suitable for electroplated surfaces.

Material

S235 + hot-dip zinc; S235 + yellow galvanization.

Mounting

Wood: PNP set; concrete: ring anchors PBK M12.



name	coat.	art no.	dimensions [mm]				holes [mm]	weight [g]	pack. [pcs]
			a	b	c	≠	ø12,5		
PUW 90	●	4944090	90	41	200	6,0	6	1420	1
	●	49440906	90	41	200	6,0	6	1420	1
PUW 100	●	4944100	100	41	200	6,0	6	1600	1
	●	49441006	100	41	200	6,0	6	1600	1
PUW 120	●	4944120	120	41	250	8,0	6	3030	1
	●	49441206	120	41	250	8,0	6	3030	1
PUW 140	●	4944140	140	41	250	8,0	6	3730	1
	●	49441406	140	41	250	8,0	6	3730	1

coating:

- hot-dip zinc
- yellow galvanization



assembly
PUW
see page 160

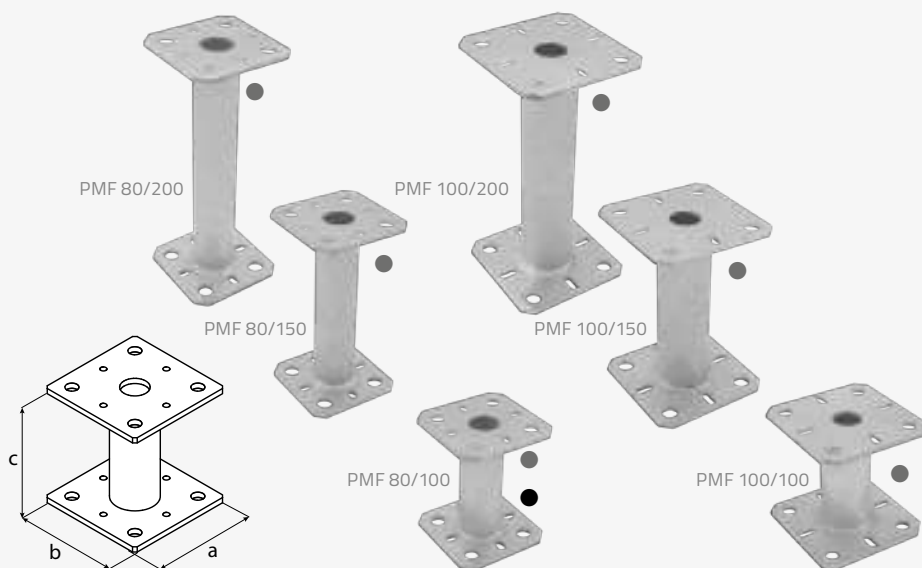
Loading capacity scheme		Mounting scheme			
Post support		PUW 90	PUW 100	PUW 120	PUW 140
Load capacity $N_{Rd,V}$ [kN]*	load-bearing capacity of wood $N_{Rk,V,w}$	70,6	79	94,1	110,9
	load-bearing capacity of steel $N_{Rd,V,s}$	129,3	129,3	129,3	129,3
Load capacity $N_{Rd,H1}$ [kN]**	load-bearing capacity of wood $N_{Rk,H1,w}$	25,4	32,2	47,3	66,3
	load-bearing capacity of steel $N_{Rd,H1,s}$	0,54	0,6	0,72	0,84
Load capacity $N_{Rd,H2}$ [kN]***	load-bearing capacity of wood $N_{Rk,H2,w}$	11,9	14	18,4	23,2
	load-bearing capacity of steel $N_{Rd,H2,s}$	13,7	16,5	24,9	32,8
Certificate		ETA 20/1044	ETA 20/1044	ETA 20/1044	ETA 20/1044

The forces are specified for a complete connection involving one connector.
 * Load capacity $N_{Rd,V}$ [kN] – vertical force load, directed downwards.
 ** Load capacity $N_{Rd,H1}$ [kN] – horizontal force load parallel to the axis of the bolt.
 *** Load capacity $N_{Rd,H2}$ [kN] – horizontal force load perpendicular to the axis of the bolt.

Application Support used for connecting square wooden posts with concrete. The compact design allows a stable connection of heavy posts.

Material S235 + hot-dip zinc; S235 + powder coated, black.

Mounting Wood: wood screws $\phi 6$; wood screws – CTO $\phi 10$; coach screws PWD $\phi 10$; concrete: ring anchors PBK M10, M12; concrete screw PBW $\phi 10,5$.



name	coat.	art no.	dimensions [mm]				holes [mm]		weight [g]	pack. [pcs]
			a	b	c	\neq	$\phi 12$	$\phi 6/9$		
PMF 80/100	●	4947080	80	80	100	4,0	8	8	630	2
	●	49470802	80	80	100	4,0	8	8	630	2
PMF 80/150	●	4948080	80	80	150	4,0	8	8	685	2
PMF 80/200	●	4949080	80	80	200	4,0	8	8	795	2
PMF 100/100	●	4947100	100	100	100	4,0	8	8	960	2
PMF 100/150	●	4948100	100	100	150	4,0	8	8	995	2
PMF 100/200	●	4949100	100	100	200	4,0	8	8	1135	2

coating:

- hot-dip zinc
- powder coated, black

PMF

Post support



Loading capacity scheme		Mounting scheme						
Post support		PMF 80/100	PMF 80/150	PMF 80/200	PMF 100/100	PMF 100/150	PMF 100/200	
Load capacity $N_{Rd,V}$ [kN]*	load-bearing capacity of wood $N_{Rk,V,w}$	117,1	117,1	117,1	190,2	190,2	190,2	
	load-bearing capacity of steel $N_{Rd,V,s}$	66	66	66	84,6	84,6	84,6	
Load capacity $N_{Rd,H1}$ [kN]**	load-bearing capacity of wood $N_{Rk,H1,w}$	–	–	–	–	–	–	
	load-bearing capacity of steel $N_{Rd,H1,s}$	–	–	–	–	–	–	
Load capacity $N_{Rd,H2}$ [kN]***	load-bearing capacity of wood $N_{Rk,H2,w}$	–	–	–	–	–	–	
	load-bearing capacity of steel $N_{Rd,H2,s}$	–	–	–	–	–	–	
Certificate		ETA 20/1044	ETA 20/1044	ETA 20/1044	ETA 20/1044	ETA 20/1044	ETA 20/1044	

The forces are specified for a complete connection involving one connector.
 * Load capacity $N_{Rd,V}$ [kN] – vertical force load, directed downwards.
 ** Load capacity $N_{Rd,H1}$ [kN] – horizontal force load parallel to the axis of the bolt.
 *** Load capacity $N_{Rd,H2}$ [kN] – horizontal force load perpendicular to the axis of the bolt.



PMFU

Post support

Application The U-shaped post support allows installing timber elements with concrete. The compact design allows a stable connection of heavy posts.

Material S235 + silver galvanization.

Mounting Wood: wood screws – CTO $\phi 10$; coach screws PWD $\phi 10$; concrete: ring anchors PBK M10, M12; concrete screw PBW $\phi 10,5$.



PMFU 160



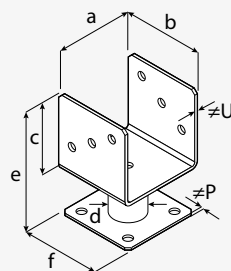
PMFU 140



PMFU 120



PMFU 100



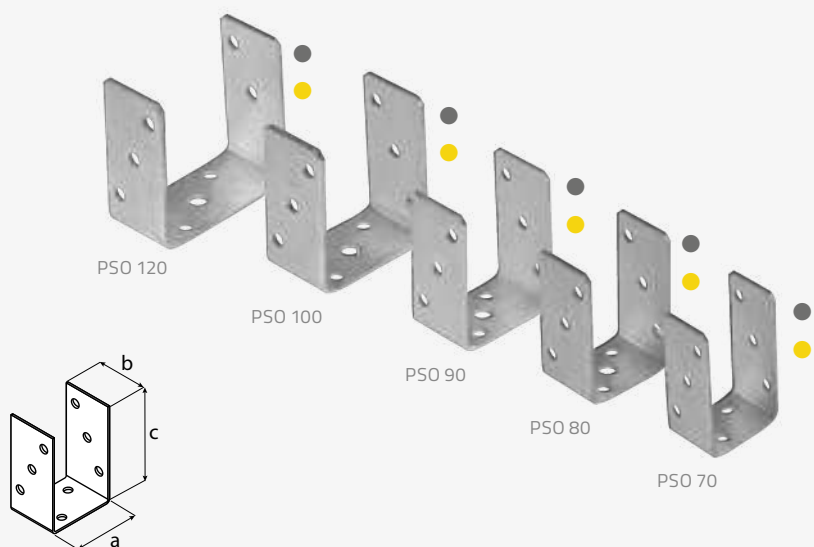
name	coat.	art no.	dimensions [mm]								holes[mm]		weight [g]	pack. [pcs]
			a	b	c	d	e	f	$\neq U$	$\neq P$	$\phi 11$	$\phi 12$		
PMFU 100	●	494911	101	100	100	$\phi 42,4$	163	100	4,0	3,0	7	5	1240	4
PMFU 120	●	494912	121	100	100	$\phi 42,4$	163	100	4,0	3,0	7	5	1300	4
PMFU 140	●	494913	141	100	100	$\phi 42,4$	163	100	4,0	3,0	7	5	1360	4
PMFU 160	●	494914	162	100	100	$\phi 42,4$	163	100	4,0	3,0	7	5	1430	4

coating:
● silver galvanization

Application Post support designed for the installation of timber elements with concrete. It ensures adequate expansion of the wood from the substrate.

Material S235 + hot-dip zinc; S235 + yellow galvanization.

Mounting Wood: wood screws – CTO $\phi 10$; coach screws PWD $\phi 10$; concrete: ring anchors PBK M10, M12; concrete screw PBW $\phi 10,5$.



name	coat.	art no.	dimensions [mm]				holes [mm]		weight [g]	pack. [pcs]
			a	b	c	≠	$\phi 11$	$\phi 14$		
PSO 70	●	4832	71	60	120	4,0	8	–	566	10
	●	48326	71	60	120	4,0	8	–	566	10
PSO 80	●	4833	81	60	120	4,0	8	1	580	10
	●	48336	81	60	120	4,0	8	1	580	10
PSO 90	●	4834	91	60	120	4,0	8	1	599	10
	●	48346	91	60	120	4,0	8	1	599	10
PSO 100	●	4835	101	60	120	4,0	8	1	618	10
	●	48356	101	60	120	4,0	8	1	618	10
PSO 120	●	4836	121	60	120	4,0	8	1	655	10
	●	48366	121	60	120	4,0	8	1	655	10

coating:
 ● hot-dip zinc
 ● yellow galvanization

PSO

Post support



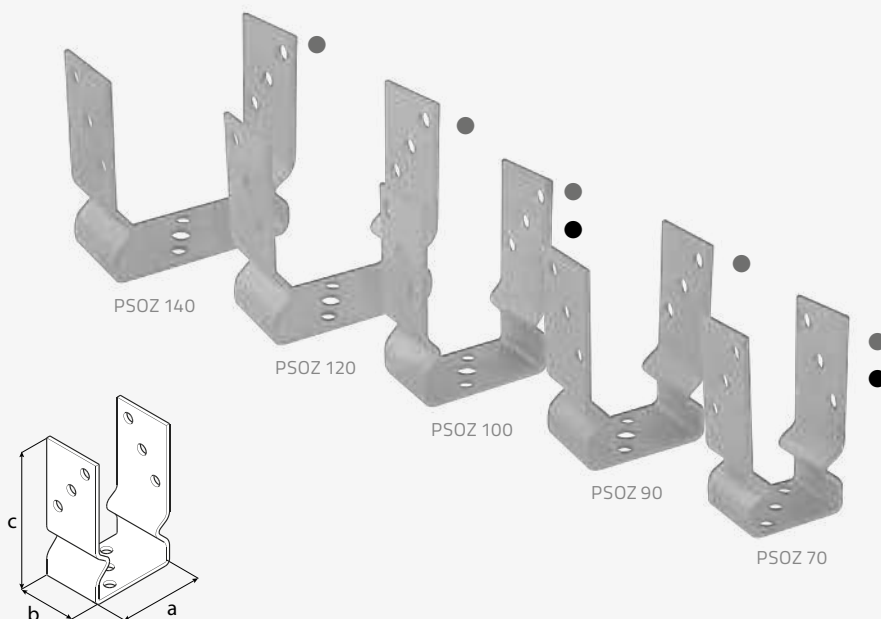
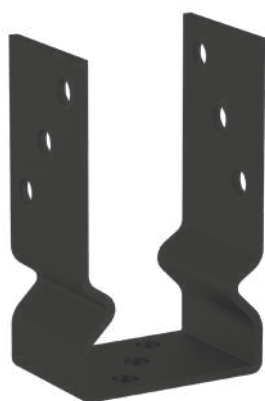
Loading capacity scheme		Mounting scheme				
Post support		PSO 70	PSO 80	PSO 90	PSO 100	PSO 120
Load capacity $N_{Rd,V}$ [kN]*	load-bearing capacity of wood $N_{Rk,V,w}$	15,9	15,9	15,9	15,9	15,9
	load-bearing capacity of steel $N_{Rd,V,s}$	57,6	57,6	57,6	57,6	57,6
Load capacity $N_{Rd,H1}$ [kN]**	load-bearing capacity of wood $N_{Rk,H1,w}$	12,4	12,4	12,4	12,4	12,4
	load-bearing capacity of steel $N_{Rd,H1,s}$	2,6	2,6	2,6	2,6	2,6
Load capacity $N_{Rd,H2}$ [kN]***	load-bearing capacity of wood $N_{Rk,H2,w}$	8,2	10	12	14	18,4
	load-bearing capacity of steel $N_{Rd,H2,s}$	19,1	19,1	19,1	19,1	19,1
Certificate		ETA 20/1044	ETA 20/1044	ETA 20/1044	ETA 20/1044	ETA 20/1044

The forces are specified for a complete connection involving one connector.
 * Load capacity $N_{Rd,V}$ [kN] – vertical force load, directed downwards.
 ** Load capacity $N_{Rd,H1}$ [kN] – horizontal force load parallel to the axis of the bolt.
 *** Load capacity $N_{Rd,H2}$ [kN] – horizontal force load perpendicular to the axis of the bolt.

assembly
PSO
 see page 160–161

PSOZ

Post support



name	coat.	art no.	dimensions [mm]				holes [mm]			weight [g]	pack. [pcs]
			a	b	c	≠	ø11	ø12	ø14		
PSOZ 70	●	4941070	71	60	150	4,0	9	3	–	735	6
	●	49410702	71	60	150	4,0	9	3	–	735	6
PSOZ 90	●	4941090	91	60	150	4,0	9	2	1	795	6
PSOZ 100	●	4941100	101	60	150	4,0	9	2	1	815	6
	●	49411002	101	60	150	4,0	9	2	1	815	6
PSOZ 120	●	4941120	121	60	150	4,0	9	2	1	855	6
PSOZ 140	●	4941140	141	60	150	4,0	9	2	1	895	6

coating:
 ● hot-dip zinc
 ● powder coated, black



assembly
PSOZ
 see page 160–161

Loading capacity scheme		Mounting scheme				
Post support		PSOZ 70	PSOZ 90	PSOZ 100	PSOZ 120	PSOZ 140
Load capacity $N_{Rd,V}$ [kN]*	load-bearing capacity of wood $N_{Rk,V,w}$	24,9	24,9	24,9	24,9	24,9
	load-bearing capacity of steel $N_{Rd,V,s}$	112,8	112,8	112,8	112,8	112,8
Load capacity $N_{Rd,H1}$ [kN]**	load-bearing capacity of wood $N_{Rk,H1,w}$	15,9	15,9	15,9	15,9	15,9
	load-bearing capacity of steel $N_{Rd,H1,s}$	1,1	1,1	1,1	1,1	1,1
Load capacity $N_{Rd,H2}$ [kN]***	load-bearing capacity of wood $N_{Rk,H2,w}$	8,2	12	14	18,4	23,2
	load-bearing capacity of steel $N_{Rd,H2,s}$	10,2	10,2	10,2	10,2	10,2
Certificate		ETA 20/1044	ETA 20/1044	ETA 20/1044	ETA 20/1044	ETA 20/1044

The forces are specified for a complete connection involving one connector.
 * Load capacity $N_{Rd,V}$ [kN] – vertical force load, directed downwards.
 ** Load capacity $N_{Rd,H1}$ [kN] – horizontal force load parallel to the axis of the bolt.
 *** Load capacity $N_{Rd,H2}$ [kN] – horizontal force load perpendicular to the axis of the bolt.

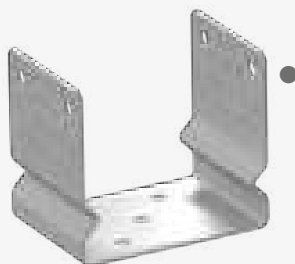
Application U-shaped post support designed for the installation of timber elements with concrete. The mounted beam is supported on a „saddle”, which prevents it from coming into direct contact with the ground, ensuring ventilation and a longer life for the post.

Material S235 + hot-dip zinc.

Mounting Wood: ANCHOR $\varnothing 4$ ring-shank nails; ANW Torx20 socket screws; wood screws – CTO $\varnothing 10$; coach screws PWD $\varnothing 10$; concrete: ring anchors PBK M10, M12; concrete screw PBW $\varnothing 10,5$.

PSSOZ

Post support



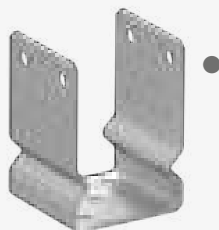
PSSOZ 160



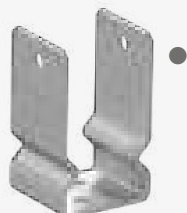
PSSOZ 140



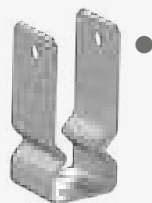
PSSOZ 120



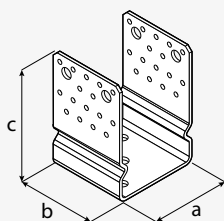
PSSOZ 100



PSSOZ 80



PSSOZ 60



assembly
PSSOZ
see page 160–161

name	coat.	art no.	dimensions [mm]				holes[mm]				weight [g]	pack. [pcs]
			a	b	c	#	$\varnothing 6$	$\varnothing 11$	$\varnothing 12$	$\varnothing 14$		
PSSOZ 60	●	480991	61	60	150	4,0	18	$\varnothing 11$ 2	$\varnothing 12$ 2	–	660	6
PSSOZ 80	●	480992	81	80	150	4,0	26	$\varnothing 11$ 2	$\varnothing 12$ 2	–	940	6
PSSOZ 100	●	480993	101	100	150	4,0	32	$\varnothing 11$ –	$\varnothing 12$ 2	$\varnothing 14$ 5	1220	6
PSSOZ 120	●	480994	121	120	150	4,0	40	$\varnothing 11$ –	$\varnothing 12$ 2	$\varnothing 14$ 5	1550	6
PSSOZ 140	●	480995	141	120	150	4,0	40	$\varnothing 11$ –	$\varnothing 12$ 2	$\varnothing 14$ 5	1620	6
PSSOZ 160	●	480996	161	120	150	4,0	40	$\varnothing 11$ –	$\varnothing 12$ 2	$\varnothing 14$ 5	1700	6

coating:
● hot-dip zinc

PSK

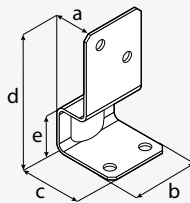
Post support



Application The post support is designed for fixing posts and various garden structures. Its design allows using beams of non-standard dimensions.

Material DX51D + Z275; DUPLEX: DX51D + Z275 + powder coated, black or anthracite.

Mounting Wood: wood screws – CTO $\phi 10$; coach screws PWD $\phi 10$; concrete: ring anchors PBK M10, M12; concrete screw PBW $\phi 10,5$.



PSK 70

name	coat.	art no.	dimensions [mm]						holes [mm]		weight [g]	pack. [pcs]
			a	b	c	d	e	≠	$\phi 11$	$\phi 12$		
PSK 70	●	4858	34	70	70	142	50	3,0	2	2	363	6
	■	48582	34	70	70	142	50	3,0	2	2	363	6
	◆	48583	34	70	70	142	50	3,0	2	2	363	6

coating:
 ● DX51D + Z275
 ■ DUPLEX: DX51D + Z275 powder coated, black
 ◆ powder coated, anthracite



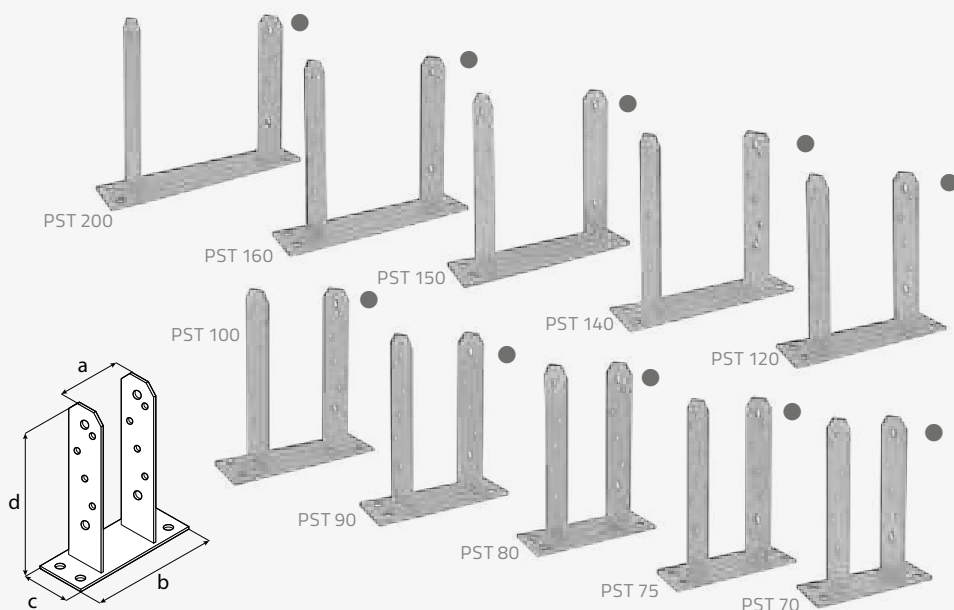
Loading capacity scheme		Mounting scheme
Post support		PSK 70
Load capacity $N_{Rd,V}$ [kN]*	load-bearing capacity of wood $N_{Rk,V,w}$ load-bearing capacity of steel $N_{Rd,V,s}$	4,9 –
Load capacity $N_{Rd,H1}$ [kN]**	load-bearing capacity of wood $N_{Rk,H1,w}$ load-bearing capacity of steel $N_{Rd,H1,s}$	– –
Load capacity $N_{Rd,H2}$ [kN]***	load-bearing capacity of wood $N_{Rk,H2,w}$ load-bearing capacity of steel $N_{Rd,H2,s}$	– –
Certificate		ETA 18-1165

The forces are specified for a complete connection involving one connector.
 * Load capacity $N_{Rd,V}$ [kN] – vertical force load, directed downwards.
 ** Load capacity $N_{Rd,H1}$ [kN] – horizontal force load parallel to the axis of the bolt.
 *** Load capacity $N_{Rd,H2}$ [kN] – horizontal force load perpendicular to the axis of the bolt.

Application The support is designed for mounting of wooden elements with concrete and ensures proper expansion joint between wood and the ground.

Material S235 + hot-dip zinc.

Mounting Wood: wood screws $\phi 6$; wood screws – CTO $\phi 10$; coach screws PWD $\phi 10$; PNP set; concrete: ring anchors PBK M10, M12; concrete screw PBW $\phi 10,5$.



name	coat.	art no.	dimensions [mm]					holes [mm]			weight [g]	pack. [pcs]
			a	b	c	d	≠	$\phi 7$	$\phi 11$	$\phi 12$		
PST 70	●	4861	71	160	60	200	5,0	8	4	4	1100	8
PST 75	●	4862075	75	160	60	200	5,0	8	4	4	1100	8
PST 80	●	4862080	80	160	60	200	5,0	8	4	4	1100	8
PST 90	●	4863	91	180	60	200	5,0	8	4	4	1137	8
PST 100	●	4864	101	190	60	200	5,0	8	4	4	1170	8
PST 120	●	4865	121	210	60	200	5,0	8	4	4	1145	8
PST 140	●	4866	141	230	60	200	5,0	8	4	4	1160	8
PST 150	●	4862150	151	230	60	200	5,0	8	4	4	1260	8
PST 160	●	4862160	161	250	60	200	5,0	8	4	4	1310	8
PST 200	●	4862200	201	280	70	200	5,0	8	4	4	1656	8

coating:
● hot-dip zinc

PST

TT-shaped post support



Loading capacity scheme		Mounting scheme								
Post support		PST 70	PST 75	PST 90	PST 100	PST 120	PST 140	PST 150	PST 160	PST 200
Load capacity $N_{Rd,V}$ [kN]*	load-bearing capacity of wood $N_{Rk,V,w}$	31,9	31,9	31,9	31,9	31,9	31,9	31,9	31,9	31,9
	load-bearing capacity of steel $N_{Rd,V,s}$	117,5	117,5	117,5	117,5	117,5	117,5	117,5	117,5	117,5
Load capacity $N_{Rd,H1}$ [kN]**	load-bearing capacity of wood $N_{Rk,H1,w}$	2,5	2,5	2,5	2,5	2,5	2,5	2,5	2,5	2,5
	load-bearing capacity of steel $N_{Rd,H1,s}$	3,7	3,7	3,7	3,7	3,7	3,7	3,7	3,7	3,7
Load capacity $N_{Rd,H2}$ [kN]***	load-bearing capacity of wood $N_{Rk,H2,w}$	8,8	9,1	12	13	13	13	13	13	13
	load-bearing capacity of steel $N_{Rd,H2,s}$	7,1	7,1	7,1	7,1	7,1	7,1	7,1	7,1	7,1
Certificate		ETA-15/0725	ETA-20/1044	ETA-15/0725	ETA-15/0725	ETA-15/0725	ETA-15/0725	ETA-20/1044	ETA-20/1044	ETA-20/1044

The forces are specified for a complete connection involving one connector.
* Load capacity $N_{Rd,V}$ [kN] – vertical force load, directed downwards.
** Load capacity $N_{Rd,H1}$ [kN] – horizontal force load parallel to the axis of the bolt.
*** Load capacity $N_{Rd,H2}$ [kN] – horizontal force load perpendicular to the axis of the bolt.



PSOL

Post support



Application The support is designed for mounting of wooden elements with concrete and ensures proper expansion joint between wood and the ground.

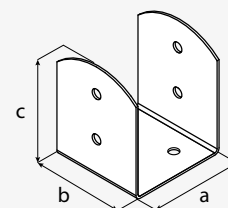
Material DX51D + Z275; DUPLEX: DX51D + Z275 + powder coated, black or anthracite.

Mounting Wood: $\phi 10$ wood screws; concrete: M10 screws, M10 concrete anchors.

name	coat.	art no.	dimensions [mm]				holes [mm]		weight [g]	pack. [pcs]
			a	b	c	\neq	$\phi 11$	$\phi 12$		
PSOL 45	●	4940045	45	45	100	2,0	4	2	214	4
	■	49400452	45	45	100	2,0	4	2	214	4
	◆	49400453	45	45	100	2,0	4	2	214	4
PSOL 50	●	4940051	51	45	100	2,0	4	2	218	4
	■	49400512	51	45	100	2,0	4	2	218	4
	◆	49400513	51	45	100	2,0	4	2	218	4
PSOL 60	●	4940060	61	45	100	2,0	4	2	225	4
	■	49400602	61	45	100	2,0	4	2	225	4
	◆	49400603	61	45	100	2,0	4	2	225	4
PSOL 70	●	4940070	71	71	120	2,5	4	2	528	4
	■	49400702	71	71	120	2,5	4	2	528	4
	◆	49400703	71	71	120	2,5	4	2	528	4
PSOL 90	●	4940090	91	91	120	2,5	4	2	674	4
	■	49400902	91	91	120	2,5	4	2	674	4
	◆	49400903	91	91	120	2,5	4	2	674	4
PSOL 100	●	4940100	101	101	140	2,5	4	2	755	4
	■	49401002	101	101	140	2,5	4	2	755	4
	◆	49401003	101	101	140	2,5	4	2	755	4

coating:

- DX51D + Z275
- DUPLEX: DX51D powder coated, black
- ◆ DUPLEX: DX51D powder coated, anthracite.

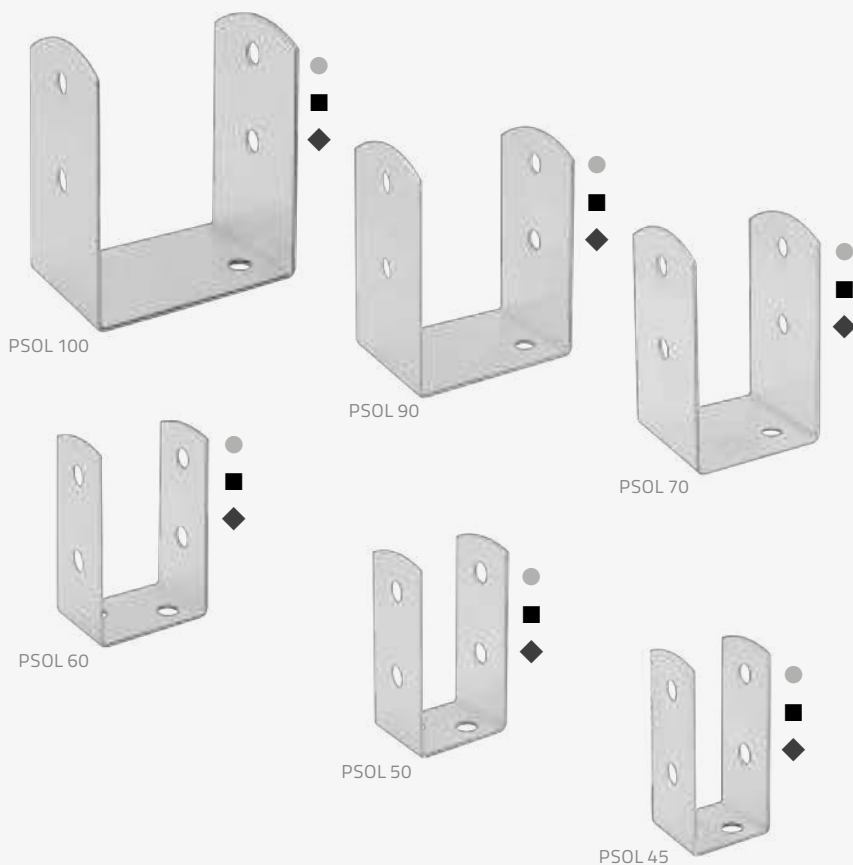


assembly
PSOL
see page 160–161



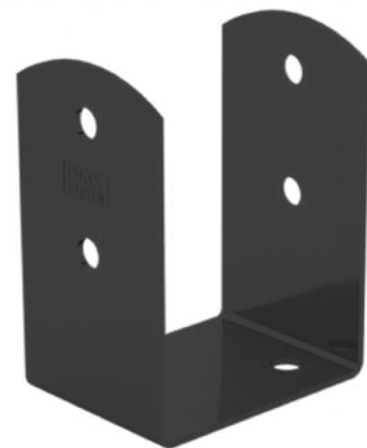
Loading capacity scheme		Mounting scheme					
Post support		PSOL 45	PSOL 50	PSOL 60	PSOL 70	PSOL 90	PSOL 100
Load capacity $N_{Rd,V}$ [kN]*	load-bearing capacity of wood $N_{Rk,V,w}$	11,6	12,9	15,1	15,1	15,1	15,1
	load-bearing capacity of steel $N_{Rd,V,s}$	36	36	36	36	36	36
Load capacity $N_{Rd,H1}$ [kN]**	load-bearing capacity of wood $N_{Rk,H1,w}$	8,1	10	14,4	19,6	21,3	21,3
	load-bearing capacity of steel $N_{Rd,H1,s}$	0,76	0,76	0,76	0,96	0,96	0,96
Load capacity $N_{Rd,H2}$ [kN]***	load-bearing capacity of wood $N_{Rk,H2,w}$	4	5	7	8	12	14
	load-bearing capacity of steel $N_{Rd,H2,s}$	8,1	8,1	8,1	14,2	14,2	14,2
Certificate		ETA 20/1044	ETA 20/1044	ETA 20/1044	ETA 20/1044	ETA 20/1044	ETA 20/1044

The forces are specified for a complete connection involving one connector.
 * Load capacity $N_{Rd,V}$ [kN] – vertical force load, directed downwards.
 ** Load capacity $N_{Rd,H1}$ [kN] – horizontal force load parallel to the axis of the bolt.
 *** Load capacity $N_{Rd,H2}$ [kN] – horizontal force load perpendicular to the axis of the bolt.



PSOL

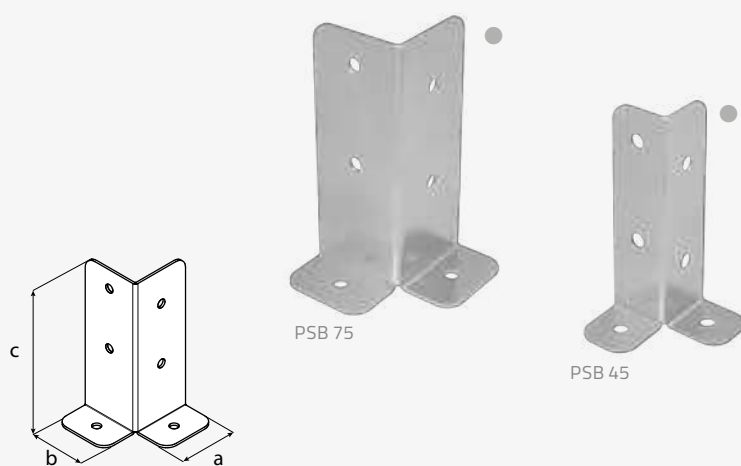
Post support



- Application** Lightweight support used for connecting wooden posts with concrete. The corner design of the PSB support allows better stabilisation of the post and is ideal for wall mounting.
- Material** DX51D + Z275.
- Mounting** Wood: wood screws – CTO $\varnothing 10$; coach screws PWD $\varnothing 10$; concrete: ring anchors PBK M10, M12; concrete screw PBW $\varnothing 10,5$.

PSB

Post support



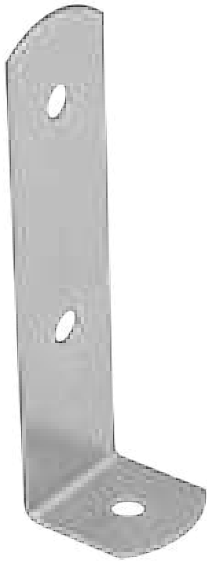
name	coat.	art no.	dimensions [mm]				holes [mm]		weight [g]	pack. [pcs]
			a	b	c	≠	$\varnothing 11$	$\varnothing 12$		
PSB 45	●	4939045	45	45	170	2,0	4	2	292	4
PSB 75	●	4939075	75	75	200	3,0	4	2	842	4

coating:
● DX51D + Z275



PSC

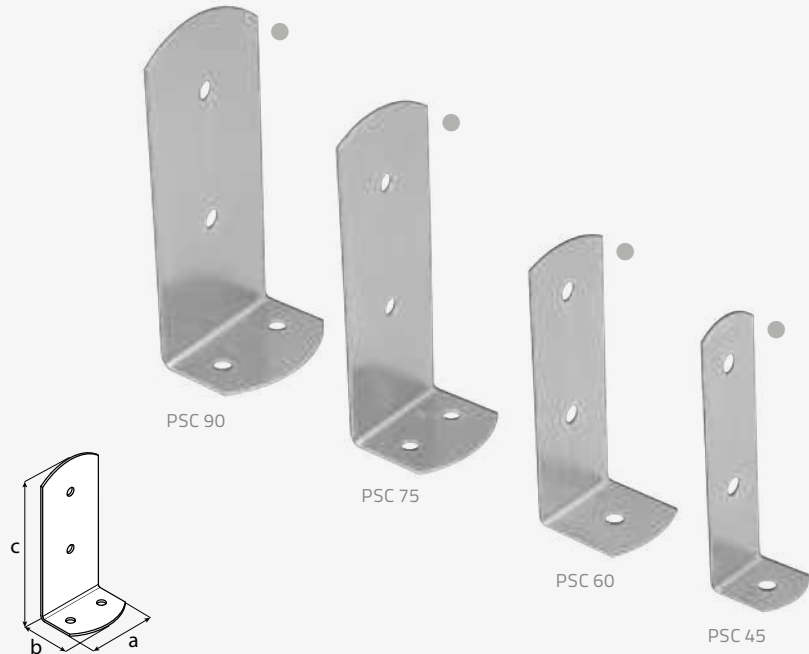
Post support



Application Lightweight support used for connecting wooden posts with concrete. The minimalistic design makes the element less visible and the use of two PSC supports allows a post of any cross section to be mounted.

Material DX51D + Z275.

Mounting Wood: wood screws – CTO $\phi 10$; coach screws PWD $\phi 10$; concrete: ring anchors PBK M10, M12; concrete screw PBW $\phi 10,5$.



name	coat.	art no.	dimensions [mm]				holes [mm]		weight [g]	pack. [pcs]
			a	b	c	\neq	$\phi 11$	$\phi 12$		
PSC 45	●	4938045	45	47	170	2,0	2	1	158	4
PSC 60	●	4938060	60	62	170	2,0	2	1	211	4
PSC 75	●	4938075	75	63	200	3,0	2	2	442	4
PSC 90	●	4938090	90	63	200	3,0	2	2	524	4

coating:
● DX51D + Z275



Loading capacity scheme		Mounting scheme			
Post support		PSC 45	PSC 60	PSC 75	PSC 90
Load capacity $N_{Rd,V}$ [kN]*	load-bearing capacity of wood $N_{Rk,V,w}$	14,1	14,1	16	16
	load-bearing capacity of steel $N_{Rd,V,s}$	36	36	36	36
Load capacity $N_{Rd,H1}$ [kN]**	load-bearing capacity of wood $N_{Rk,H1,w}$	8,1	14,4	22,5	32,4
	load-bearing capacity of steel $N_{Rd,H1,s}$	0,2	0,3	0,8	0,9
Load capacity $N_{Rd,H2}$ [kN]***	load-bearing capacity of wood $N_{Rk,H2,w}$	4,2	6,5	9,1	12
	load-bearing capacity of steel $N_{Rd,H2,s}$	3	5,1	10,6	14,8
Certificate		ETA-20/1044	ETA-20/1044	ETA-20/1044	ETA-20/1044

The forces are specified for a complete connection involving one connector.
 * Load capacity $N_{Rd,V}$ [kN] – vertical force load, directed downwards.
 ** Load capacity $N_{Rd,H1}$ [kN] – horizontal force load parallel to the axis of the bolt.
 *** Load capacity $N_{Rd,H2}$ [kN] – horizontal force load perpendicular to the axis of the bolt.

Application The square roof of the post is not only a decorative element of the fence, it also protects the timber against adverse weather conditions.
Material DC01 + hot-dip zinc; DC01 + powder coated, black.
Mounting Wood: wood screws – $\varnothing 3,5$ mm.

DKK

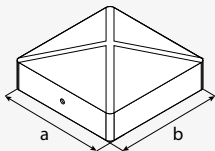
Post cap



DK 70



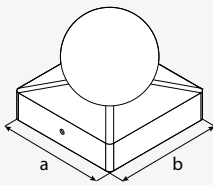
DK 70



DK 90



DKK 70



DKK 90



name	coat.	art no.	dimensions [mm]			holes [mm]	weight [g]	pack. [pcs]
			a	b	≠	$\varnothing 5$		
DK 70	●	4985	70	70	1,0	2	90	10
	●	49852	70	70	1,0	2	90	10
DK 90	●	4987	90	90	1,0	2	134	10
DKK 70	●	4995	70	70	1,0	2	190	10
DKK 90	●	4997	90	90	1,0	2	270	10

coating:

- hot-dip zinc
- powder coated, black

OP

L- bracket



Application This connector is ideal for quick assembly of wooden architectural elements, such as fences or pergolas for flowers.

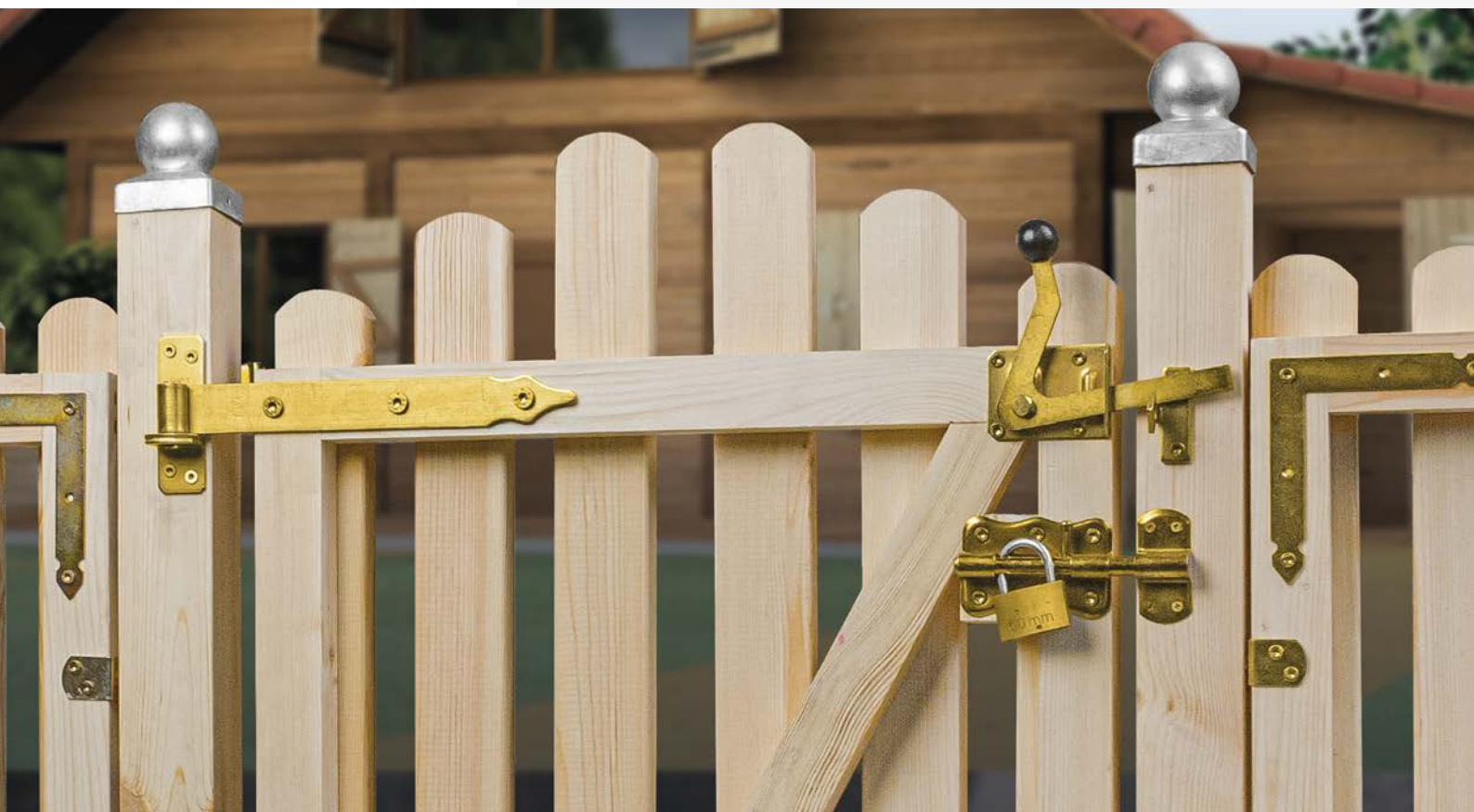
Material DC01 + yellow galvanization.

Mounting Wood screws $\phi 5$.



name	coat.	art no.	dimensions [mm]					holes [mm]		weight [g]	pack. [pcs]
			a	b	c	\neq	L	ϕ	$\phi 5$		
OP	●	4625	30	38	30	2,0	45	8	2	37	50

coating:
● yellow galvanization



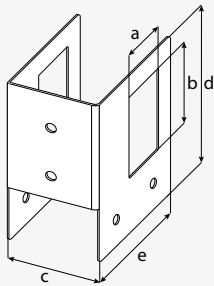
Application Elegant black connector for self-made firewood stand. It allows you to easily keep order when storing wood and maintain an aesthetic appearance.

Material DUPLEX: DX51D + powder coated, black.

Mounting Wood screws $\phi 5$.



SEK 1



SEK 2

SEK

Connector for firewood stand

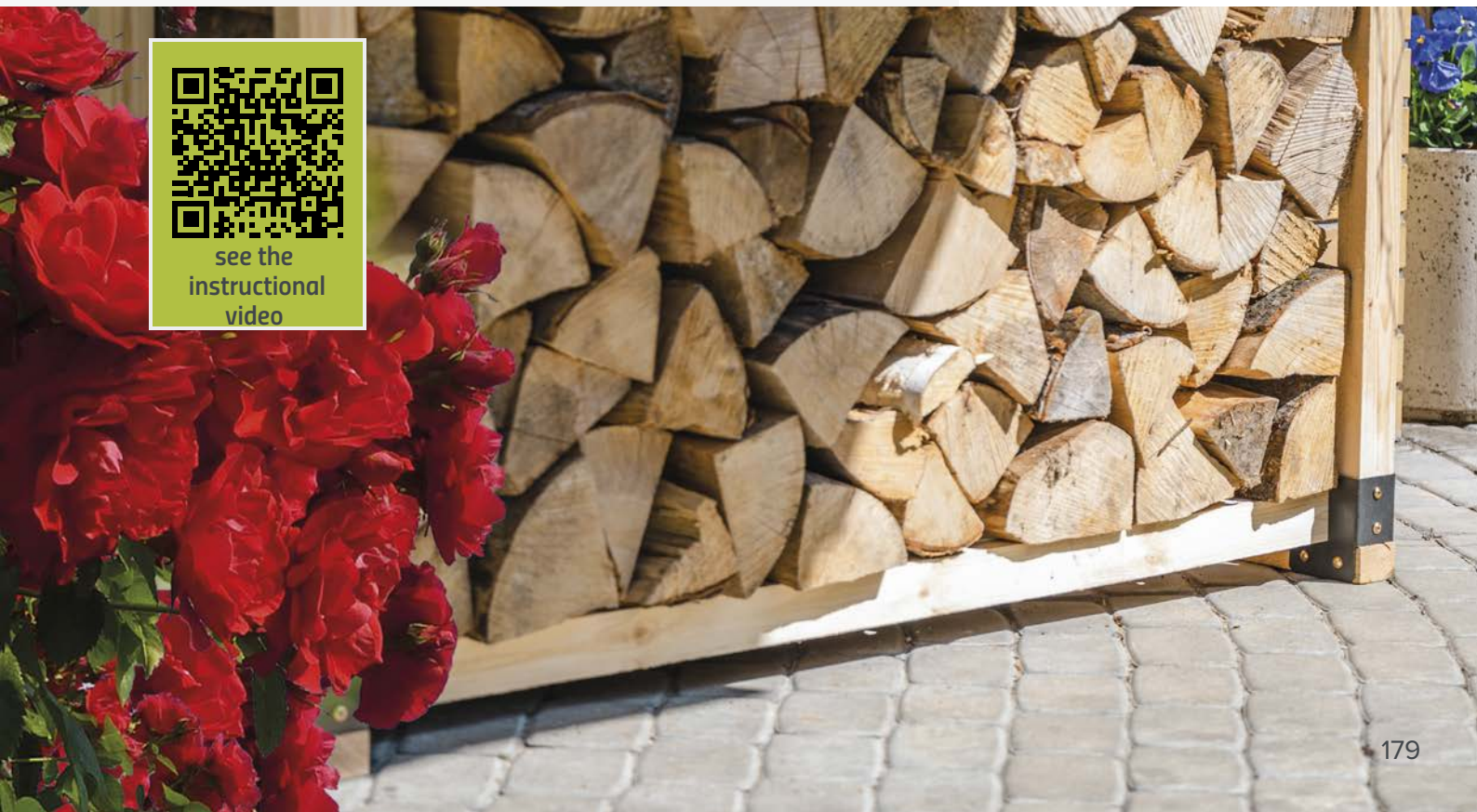


name	coat.	art no.	dimensions [mm]						holes [mm]	weight [g]	pack. [pcs]
			a	b	c	d	e	≠	ø6		
SEK 1	■	960628	41	61	61	118	98	2,0	6	350	
SEK 2	■	960629	71	71	71	158	158	2,0	6	720	

coating:
 ■ DUPLEX: DX51D powder coated, black



see the instructional video



GPLN

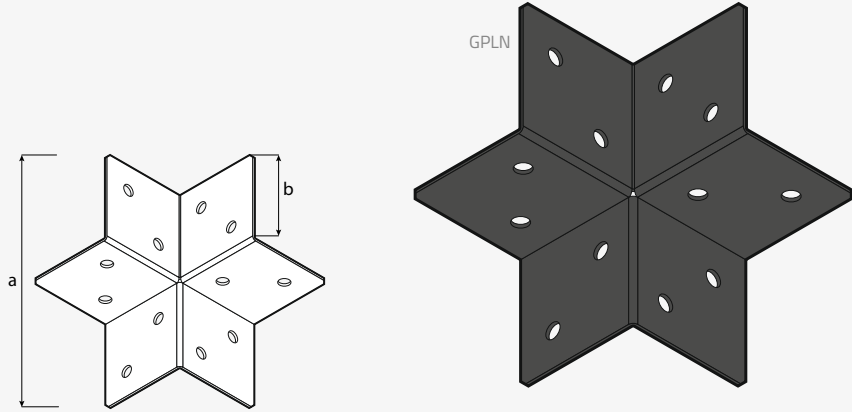
Pergola corner connector



Application The corner connector allows to connect the pergola beams. The characteristic shape of the element means that the bracket is not visible from the outside of the structure.

Material S235 + black powder coating.

Mounting Screws for garden architecture CTO (powder coated black); coach screws PWD + end cap for screw GHZ 1 black.

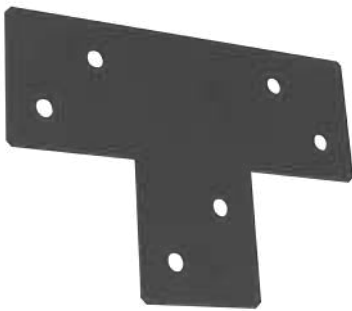


name	coat.	art no.	dimensions [mm]			otwory [mm]	weight [g]	packaging [pcs]
			a	b	≠	ø11		
GPLN 85	■	960780	170	85	2,5	12	795	8

coating:
 ■ Duplex black

GPLP

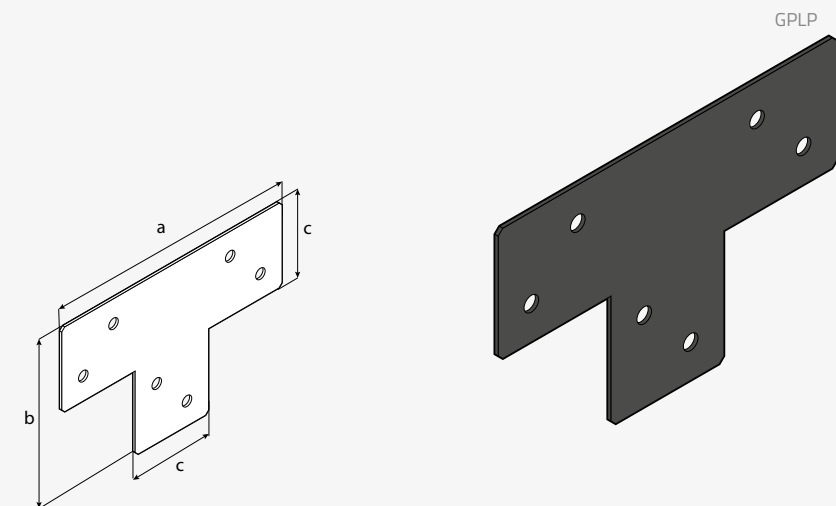
Pergola crossbeam connector



Application Black powder-painted connector, fastened with black-headed screws or finished with specially prepared screw plugs, increase the aesthetics of the entire connection.

Material S235 + black powder coating.

Mounting Screws for garden architecture CTO (powder coated black); coach screws PWD + end cap for screw GHZ 1 black.



name	coat.	art no.	dimensions [mm]			otwory [mm]	weight [g]	packaging [pcs]	
			a	b	c	≠			ø11
GPLP 85	■	960782	255	170	85	2,5	6	555	8

coating:
 ■ Duplex black





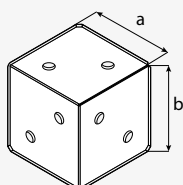
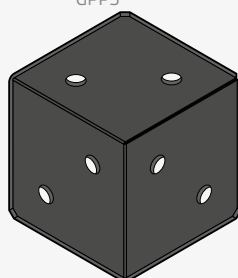
GPPS

Pergola post support

- Application** Pergola connectors are a great way to make a pergola in your own garden yourself.
- Material** S235 + black powder coating.
- Mounting** Screws for garden architecture CTO, powder coated black; coach screws PWD + end cap for screw GHZ 1 black.



GPPS



name	coat.	art no.	dimensions [mm]			otwory [mm]	weight [g]	packaging [pcs]
			a	b	≠	ø11		
GPPS 85	■	960781	85	85	2,5	6	395	8

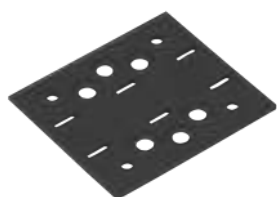
coating:
 ■ Duplex black



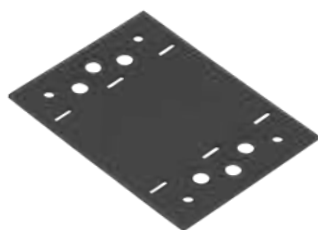
SDD 85B



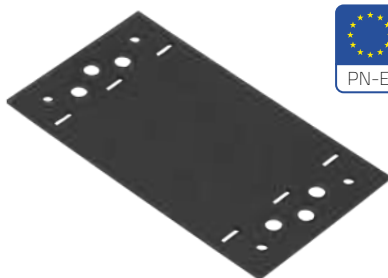
SDLPA 1



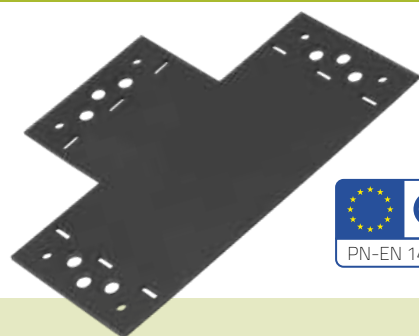
SDLPA 2



SDLPA 3



SDLPB 1



Application

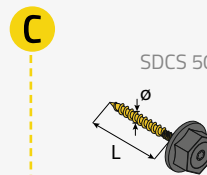
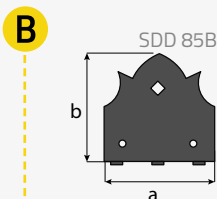
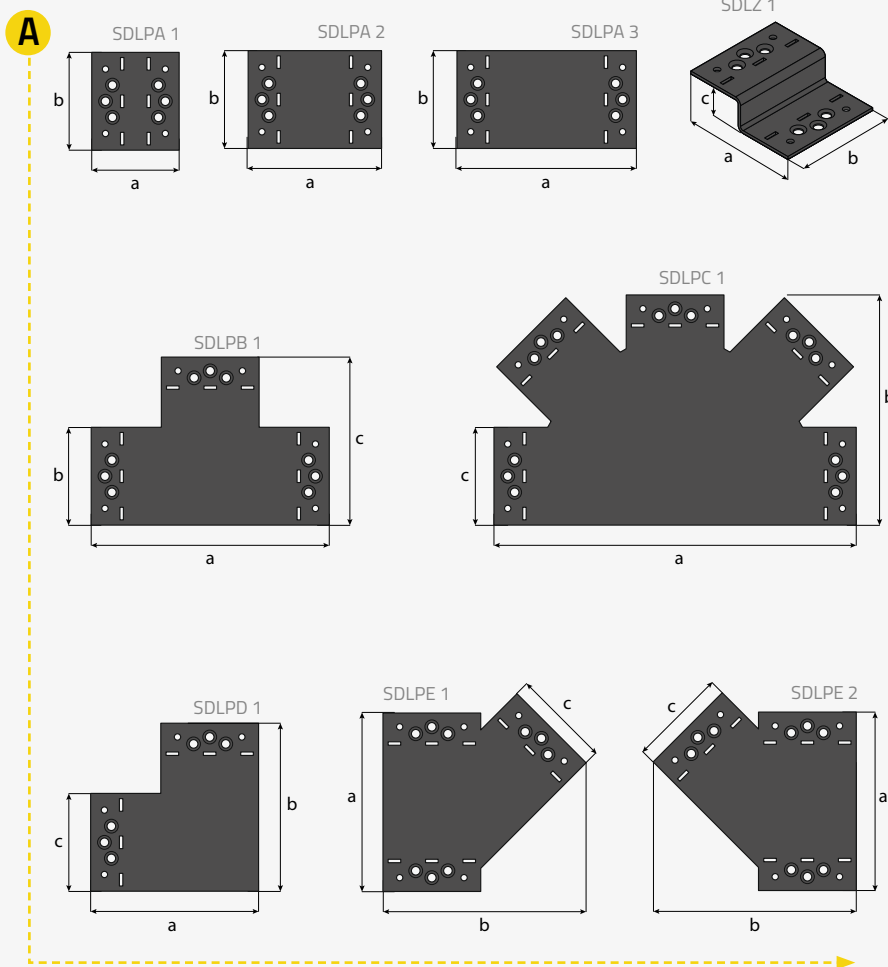
Decorative SD wood connectors are an attractive combination of construction joints and design. Thanks to a wide range of shapes and aesthetic accessories, they allow for expression and freedom in the design. They can be successfully used indoors and outdoors, with the use of various types and colors of wood. All SD decorative connectors are made of galvanized steel and finished with a powder paint coating for maximum rust protection.

Material

DX51D + powder coating, black.

Mounting

ZAS wood screws; wood screws with SDCS washer.

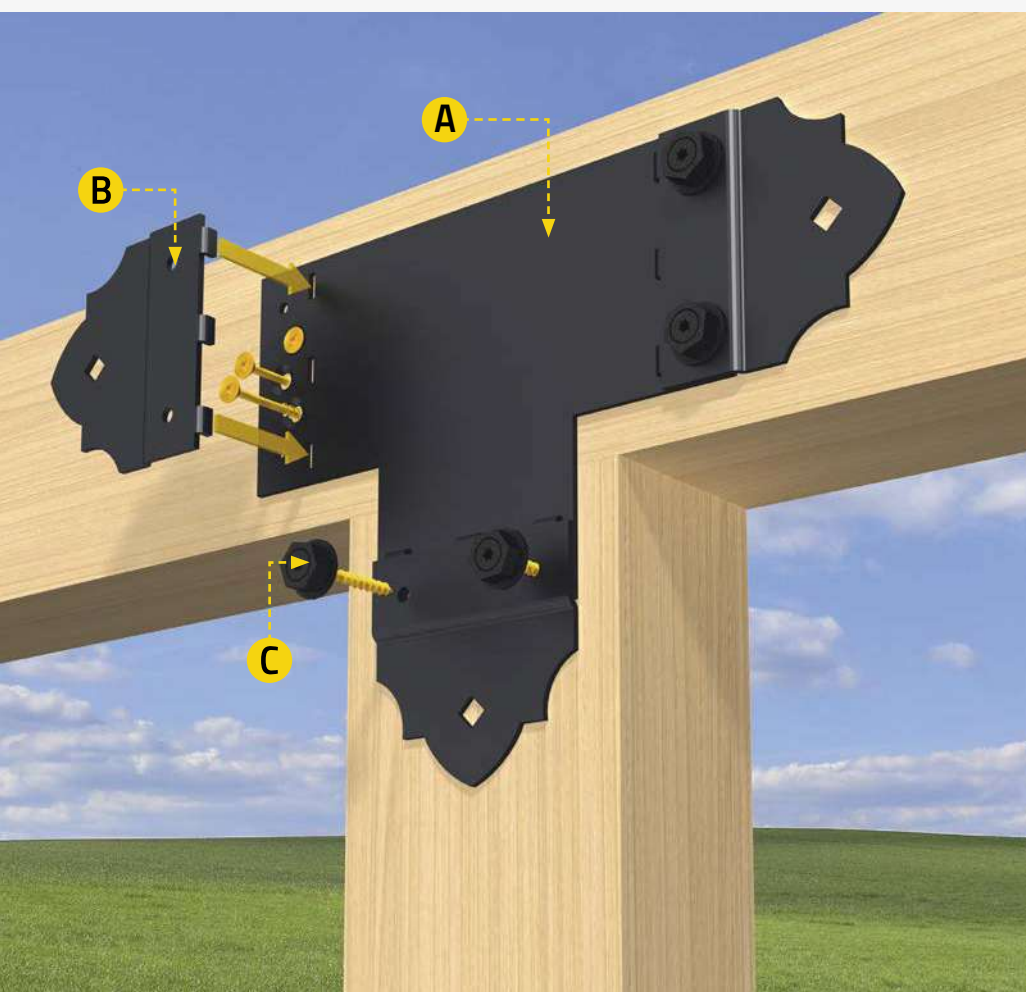


name	coat.	art no.	dimensions [mm]				TORX	weight [g]	pack.
			ø	L					
SDCS 50	●	38802	5	50			25	187	12 à 6 pcs

coating:
● powder coated, black



SDCS 50



SDLZ 1



SDLPD 1



SDLPE 1



SDLPF 1



SDLPC 1



name	coat.	art no.	dimensions [mm]				holes [mm]		weight [g]	packaging [pcs]
			a	b	c	≠	ø5,5	ø7,5		
SDD 85B	■	89702	85	85	-	2,5	2	-	116	12
SDLPA 1	■	89531	76	85	-	2,5	4	6	130	6
SDLPA 2	■	89532	116	85	-	2,5	4	6	196	6
SDLPA 3	■	89533	156	85	-	2,5	4	6	261	6
SDLPB 1	■	89541	207	146	85	2,5	6	9	443	6
SDLPC 1	■	89551	315	200	85	2,5	10	15	1020	6
SDLPD 1	■	89561	146	146	85	2,5	4	6	349	6
SDLPE 1	■	89571	155	176	85	2,5	6	9	401	6
SDLPF 1	■	89581	155	176	85	2,5	6	9	402	6
SDLZ 1	■	89501	98	85	28	2,5	4	6	180	6

coating:
■ Duplex black

GHKO

Circle beam
connector



Application Powder-coated steel connector resistant to changing weather conditions. Designed for round beams of $\varnothing 100$ mm. The angle between the columns of the fastened structure is 60° .

Material S235 + powder coated, green or red.

Mounting ANW – ANCHOR screws $\varnothing 5$ TORX20 socket; coach screws PWD $\varnothing 10$ + end cap for screws GHZ 1; screws M10 + end cap for screws GHZ2.

GHKO 100



name	coat.	art no.	dimensions [mm]			holes [mm]		weight [g]	pack. [pcs]
			a	b	≠	$\varnothing 5$	$\varnothing 10$		
GHKO 100	●	960716	100	350	2,0	4	4	2360	1
	●	960717	100	350	2,0	4	4	2360	1

coating:

- powder coated, green
- powder coated, red



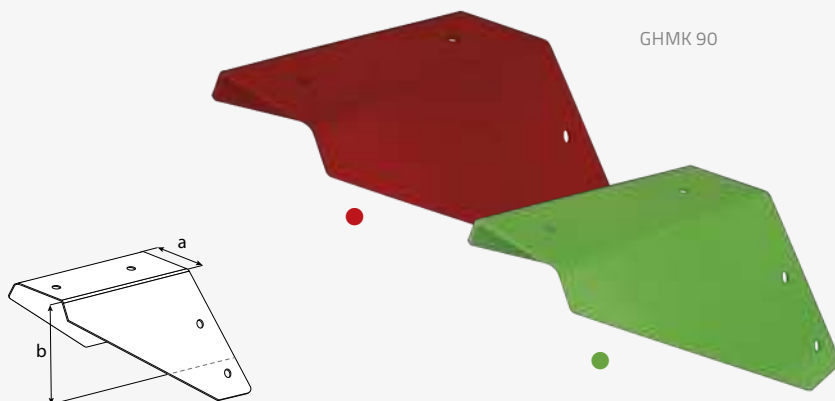
see the
instructional
video



Application Powder-coated steel connector resistant to changing weather conditions. Designed for square beams. The angle between the columns of the fastened structure is 60°.

Material S235 + powder coated, green or red.

Mounting Wood screws PWD ϕ 10 + end cap for screws GHZ 1; screws M10 + end cap for screws GHZ2.

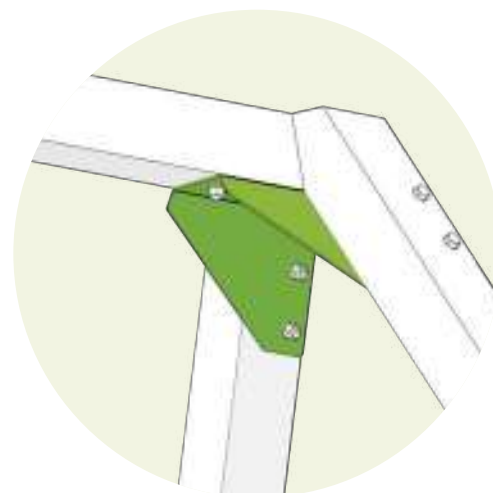


name	coat.	art no.	dimensions [mm]			holes [mm]	weight [g]	pack. [pcs]
			a	b	≠	ϕ 10		
GHMK 90	●	960714	90	150	3,0	6	1660	1
	●	960715	90	150	3,0	6	1660	1

coating:
 ● powder coated, green
 ● powder coated, red

GHMK

Square beam connectors



Application Powder-coated steel connector resistant to changing weather conditions. Designed for square beams.

Material S235 + powder coated, green or red.

Mounting Wood screws PWD ϕ 10 + end cap for screws GHZ 1; screws M10 + end cap for screws GHZ2.

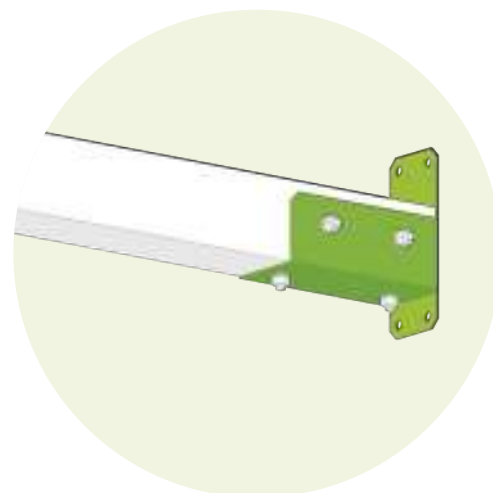


name	coat.	art no.	dimensions [mm]			holes [mm]	weight [g]	pack. [pcs]
			a	b	≠	ϕ 10		
GHLS 90	●	960718	90	200	3,0	8	1330	1
	●	960719	90	200	3,0	8	1330	1

coating:
 ● powder coated, green
 ● powder coated, red

GHLS

Wall beam connector



GHSK

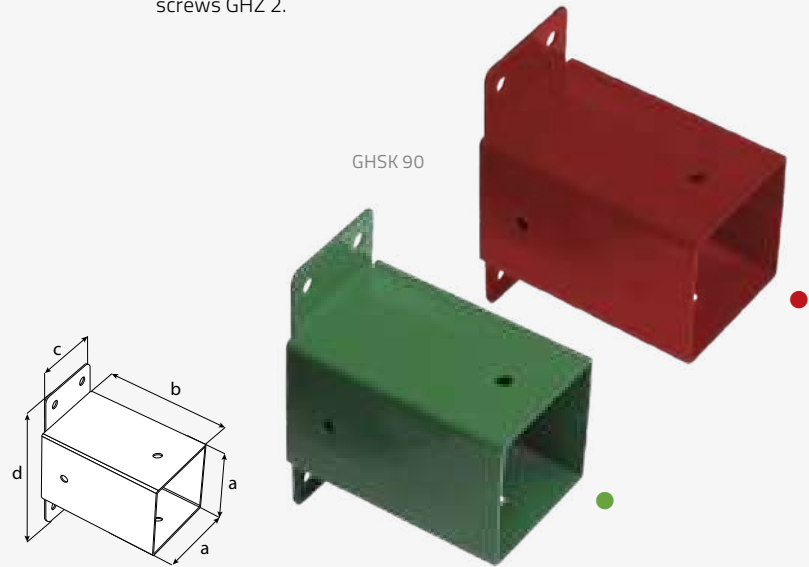
Square beam wall connecto



Application Powder-coated steel connector resistant to changing weather conditions. Designed for square beams.

Material S235 + powder coated, green or red.

Mounting Wood screws PWD $\phi 10$ + end cap for screws GHZ 1; screws M10 + end cap for screws GHZ 2.

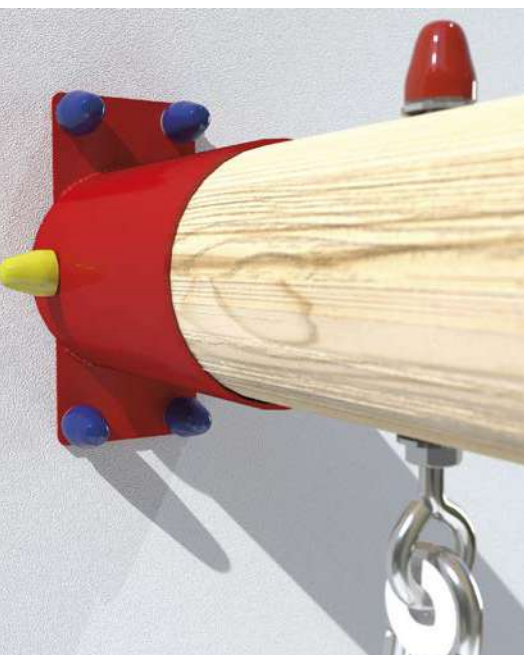


name	coat.	art no.	dimensions [mm]					holes [mm]		weight [g]	pack. [pcs]
			a	b	c	d	≠	$\phi 10$			
GHSK 90	●	960713	90	150	80	180	3,0	8	1200	1	
	●	960726	90	150	80	180	3,0	8	1200	1	

coating:
 ● powder coated, green
 ● powder coated, red

GHSO

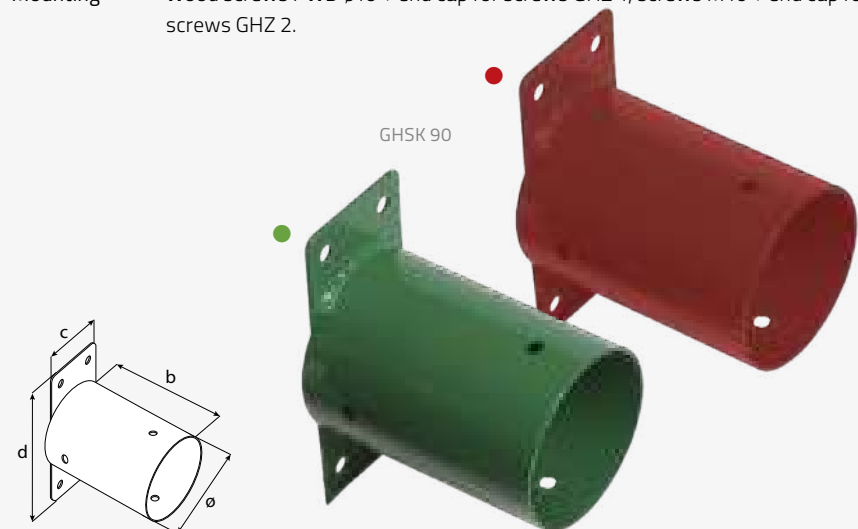
Circle beam wall connector



Application Powder-coated steel connector resistant to changing weather conditions. Designed for round beams $\phi 100$ mm.

Material S235 + powder coated, green or red.

Mounting Wood screws PWD $\phi 10$ + end cap for screws GHZ 1; screws M10 + end cap for screws GHZ 2.



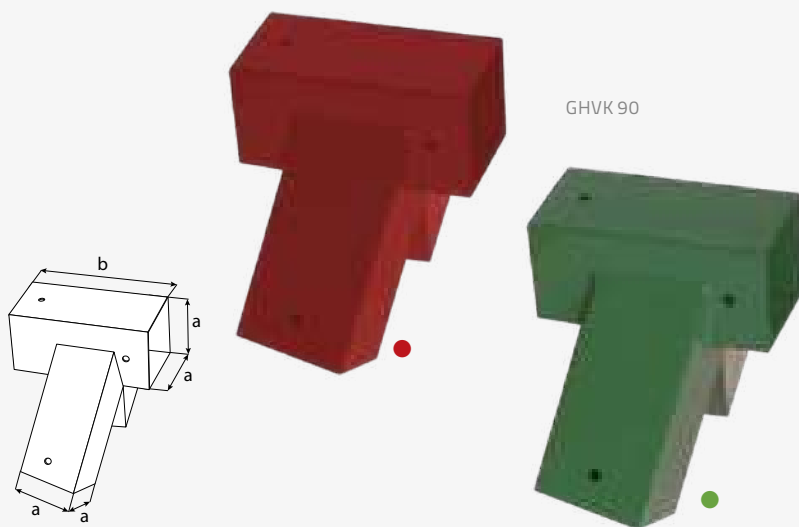
name	coat.	art no.	dimensions [mm]					holes [mm]		weight [g]	pack. [pcs]
			ϕ	b	c	d	≠	$\phi 10$			
GHSO 100	●	960712	100	152	80	185	2,0	6	1200	1	
	●	960725	100	152	80	185	2,0	6	1200	1	

coating:
 ● powder coated, green
 ● powder coated, red

Application Powder-coated steel connector resistant to changing weather conditions. Designed for square beams. The angle between the pillars of the fixed structure is 60°, the angle between the pillars and the horizontal is 100°.

Material S235 + powder coated, green or red.

Mounting Wood screws PWD \varnothing 10 + end cap for screws GHZ 1; screws M10 + end cap for screws GHZ 2.



name	coat.	art no.	dimensions [mm]			holes [mm]	weight [g]	pack. [pcs]
			a	b	≠	\varnothing 10		
GHVK 90	●	960710	90	200	2,0	5	3500	1
	●	960723	90	200	2,0	5	3500	1

coating:
 ● powder coated, green
 ● powder coated, red

GHVK

Square beam connector



Application Powder-coated steel connector resistant to changing weather conditions. Designed for round beams. The angle between the pillars of the fixed structure is 60°, the angle between the pillars and the horizontal is 100°.

Material S235 + powder coated, green or red.

Mounting Wood screws PWD \varnothing 10 + end cap for screws GHZ 1; screws M10 + end cap for screws GHZ 2.



name	coat.	art no.	dimensions [mm]			holes [mm]	weight [g]	pack. [pcs]
			\varnothing	b	≠	\varnothing 10		
GHVO 100	●	960711	100	200	2,0	5	3500	1
	●	960724	100	200	2,0	5	3500	1

coating:
 ● powder coated, green
 ● powder coated, red

GHVO

Circle beam connector



GHZ 1

Screw plug



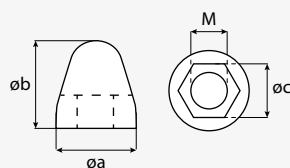
Application

Made of durable plastic, resistant to changing weather conditions, an M10 hexagon screw cap. Easy to install, it will provide an elegant finish to the structure. Available in 5 colors, quantity per package: 20 pieces (black) or 4 pieces (other colors).

Material

Polypropylene: black, red, blue, green, yellow.

GHZ 1



name	coat.	art no.	dimensions [mm]				weight [g]	pack.
			øa	øb	øc	M		
GHZ 1	▼	960701	22	20	17	M10	60	1 à 4 pcs
	▼	960702	22	20	17	M10	60	1 à 4 pcs
	▼	960704	22	20	17	M10	60	1 à 4 pcs
	▼	960703	22	20	17	M10	60	1 à 4 pcs
	▼	960727	22	20	17	M10	300	1 à 20 pcs

coating:

- ▼ polypropylene red
- ▼ polypropylene blue
- ▼ polypropylene green
- ▼ polypropylene yellow
- ▼ polypropylene black

GHZ 2

Screw plug



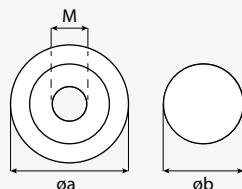
Application

Made of durable plastic, resistant to changing weather conditions, specially profiled end cap for use on round beams. Easy to install, it will provide an elegant finish to the structure. Available in 4 colors, number in the package: 4 pieces.

Material

Polypropylene: red, blue, green, yellow.

GHZ 2



name	coat.	art no.	dimensions [mm]			weight [g]	pack.
			øa	øb	M		
GHZ 2	▼	960705	34	23	M10	60	1 à 4 pcs
	▼	960706	34	23	M10	60	1 à 4 pcs
	▼	960708	34	23	M10	60	1 à 4 pcs
	▼	960707	34	23	M10	60	1 à 4 pcs

coating:

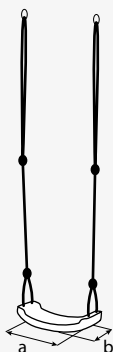
- ▼ polypropylene red
- ▼ polypropylene sky blue
- ▼ polypropylene green
- ▼ polypropylene yellow

Application Easy to assemble, colorful seats for private use made of lightweight, durable material. They will be perfect in the garden, giving great joy to your child. Fixed on a rope with adjustable length.

Material Polypropylene; eyelets and figures eight for adjusting the rope made of galvanized steel.



GHS 4



name	coat.	art no.	dimensions [mm]			weight [g]	pack. [pcs]
			a	b	c		
GHS 1	▼	960734	41,5	17	-	810	1
GHS 1	▼	960709	41,5	17	-	810	1
GHS 1	▼	960728	41,5	17	-	810	1
GHS 2	▼	960729	52	20	-	1210	1
GHS 2	▼	960730	52	20	-	1210	1
GHS 4	▼	960733	60	-	-	2630	1
GHS 5	▼	960735	27	24	44	1500	1
GHS 5	▼	960736	27	24	44	1500	1

coating:

- ▼ polypropylene sky blue
- ▼ polypropylene red
- ▼ polypropylene green
- ▼ polypropylene blue
- ▼ polypropylene dark green
- ▼ polypropylene red-yellow

GHS

Plastic seats

- ▶ **GHS 1 plastic seat**
the bent sides of the seat increase the comfort of use
- ▶ **GHS 2 plastic seat**
the bent sides of the seat increase the comfort of use
- ▶ **GHS 4 crow's nest seat**
the circular mesh seat provides optimal freedom
- ▶ **GHS 5 plastic bucket seat**
comfortable two-piece structure (seat and railing) protects against falling out



MHA

- **Swing hanger Type A**
swing hanger for flat and round beams with a carabiner

MHB

- **Swing hanger Type B**
swing hanger for flat and round beams with a removable carabiner

MHC

- **Swing hanger Type C**
swing hanger for flat and round beams with a shackle

MHD

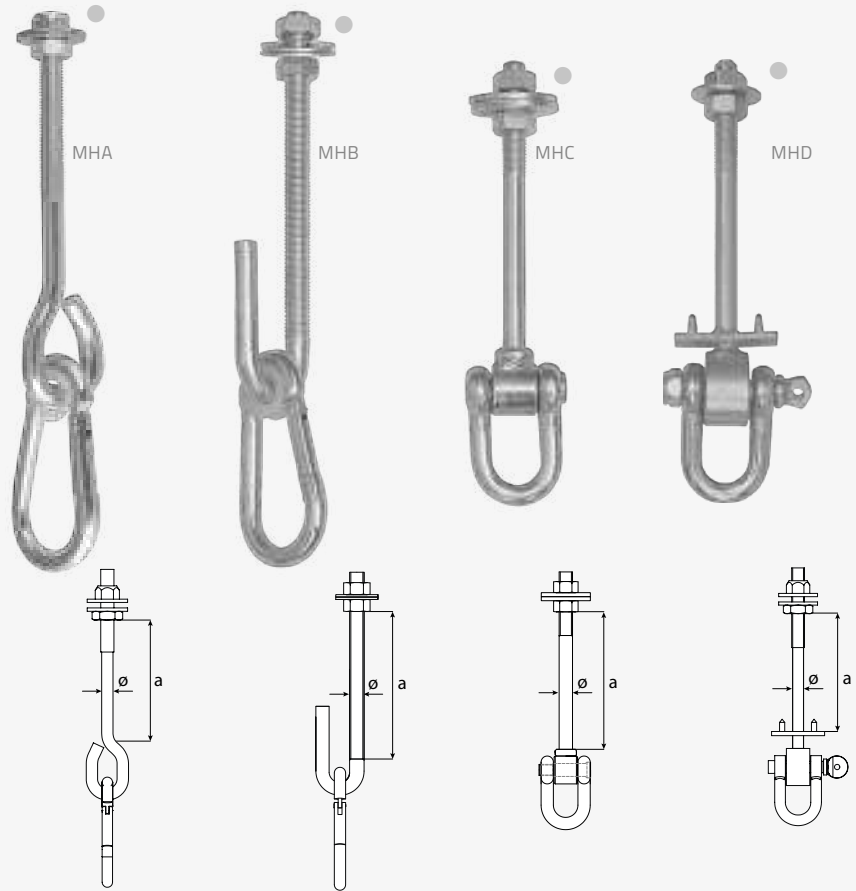
- **Swing hanger Type D**
swing hanger for flat and round beams with a shackle

Application

The fixings are equipped with appropriate shackles or carabiners, thanks to which the assembly of the swing is simple and does not require any additional tools. In addition, they have sliding bearings that improve their service life and increase the comfort of use.

Material

Carbon steel + silver or yellow galvanization.





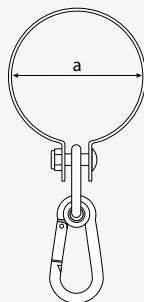
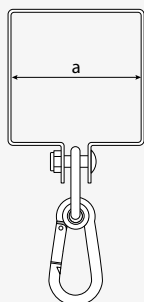
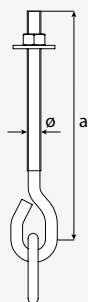
MHUM



MHK



MHO



name	coat.	art no.	dimensions [mm]			holes [mm]		weight [g]	pack. [pcs]
			ø	a	≠	ø9	ø10		
MHA 110	●	8850	12	110	-	-	-	344	10
MHA 130	●	8851	12	130	-	-	-	363	10
MHA 160	●	88661	12	160	-	-	-	405	10
MHA 200	●	88662	12	200	-	-	-	435	10
MHB 130	●	8852	12	130	-	-	-	353	10
MHC 120	●	8853	12	120	-	-	-	378	10
MHC 130	●	8854	12	130	-	-	-	396	10
MHD 120	●	8855	12	120	-	-	-	433	10
MHD 130	●	8856	12	130	-	-	-	447	10
MHD 160	●	88671	12	160	-	-	-	495	10
MHD 200	●	88672	12	200	-	-	-	525	10
MHUM 130	●	8862	12	130	-	-	-	277	10
MHUM 160	●	88631	12	160	-	-	-	295	10
MHUM 200	●	88632	12	200	-	-	-	335	10
MHK 90	●	8859	90	-	3,0	-	1	550	10
MHO 80	●	8860	80	-	3,0	1	-	462	10
MHO 100	●	8857	100	-	3,0	1	-	524	10
MHO 120	●	8858	120	-	3,0	1	-	564	10

coating:

- silver galvanization
- yellow galvanization

MHUM

- ▶ **Swing hanger**
swing hanger with a loop for flat and round beams

MHK

- ▶ **Swing hanger with carabiner for square beams**
swing hanger with carabiner for square beams

MHO

- ▶ **Swing hanger for circle beam**
swing hanger with carabiner for round beams



MHM

- **Universal hanger**
hanger with a loop, requiring pre-drilling of the hole

MHUW

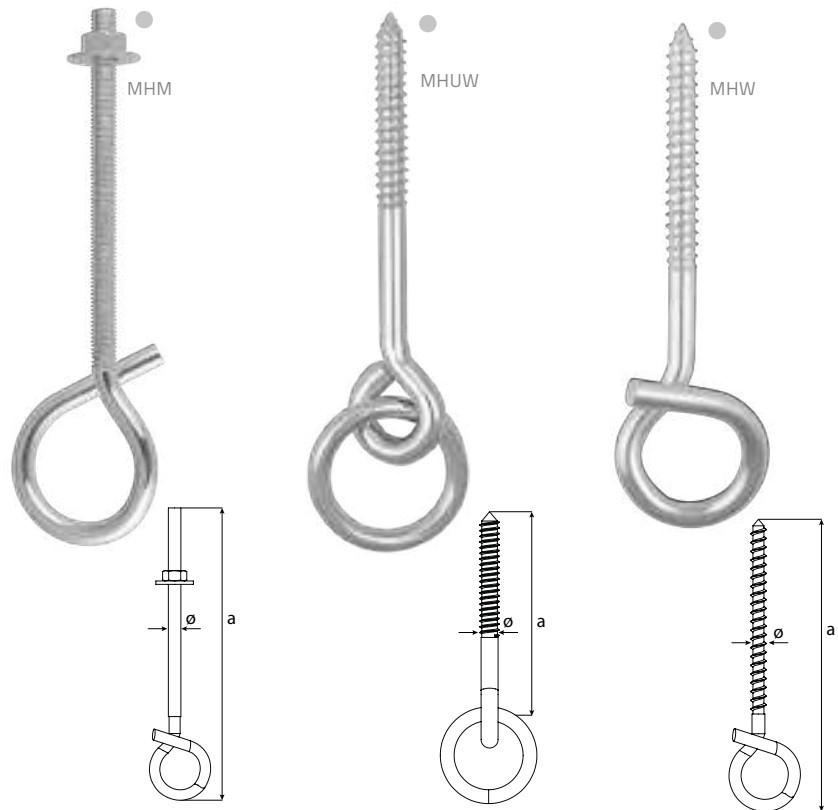
- **Universal hanger**
hanger with a loop and a special mounting ring, screwed directly into the wooden material

MHW

- **Universal hanger**
hanger with a loop, screwed directly into the wooden material

Application Universal hangers that allow for easy and quick assembly of hanging decorative elements, such as flower pots or lanterns.

Material Carbon steel + silver galvanization.



name	coat.	art no.	dimensions [mm]		weight [g]	pack. [pcs]
			ø	a		
MHM 6×100	●	886801	6	100	52	10
MHM 6×120	●	886802	6	120	58	10
MHM 6×140	●	886803	6	140	62	10
MHM 8×130	●	886811	8	130	92	10
MHM 8×150	●	886812	8	150	102	10
MHM 8×170	●	886813	8	170	112	10
MHM 8×200	●	886814	8	200	122	10
MHM 10×140	●	886821	10	140	142	10
MHM 10×180	●	886822	10	180	172	10
MHM 10×220	●	886823	10	220	192	10
MHM 10×260	●	886824	10	260	212	10
MHM 12×180	●	886831	12	180	282	10
MHM 12×200	●	886832	12	200	302	10
MHM 12×240	●	886833	12	240	342	10
MHM 12×280	●	886834	12	280	372	10
MHUW 100	●	8864	12	100	226	10
MHUW 130	●	88651	12	130	225	10
MHUW 160	●	88652	12	160	245	10
MHW 6×100	●	886881	6	100	26	10
MHW 6×120	●	886882	6	120	29	10
MHW 8×130	●	886885	8	130	57	10
MHW 8×150	●	886886	8	150	64	10
MHW 10×140	●	886891	10	140	109	10
MHW 10×160	●	886892	10	160	118	10
MHW 12×180	●	886895	12	180	225	10

coating:
● silver galvanization





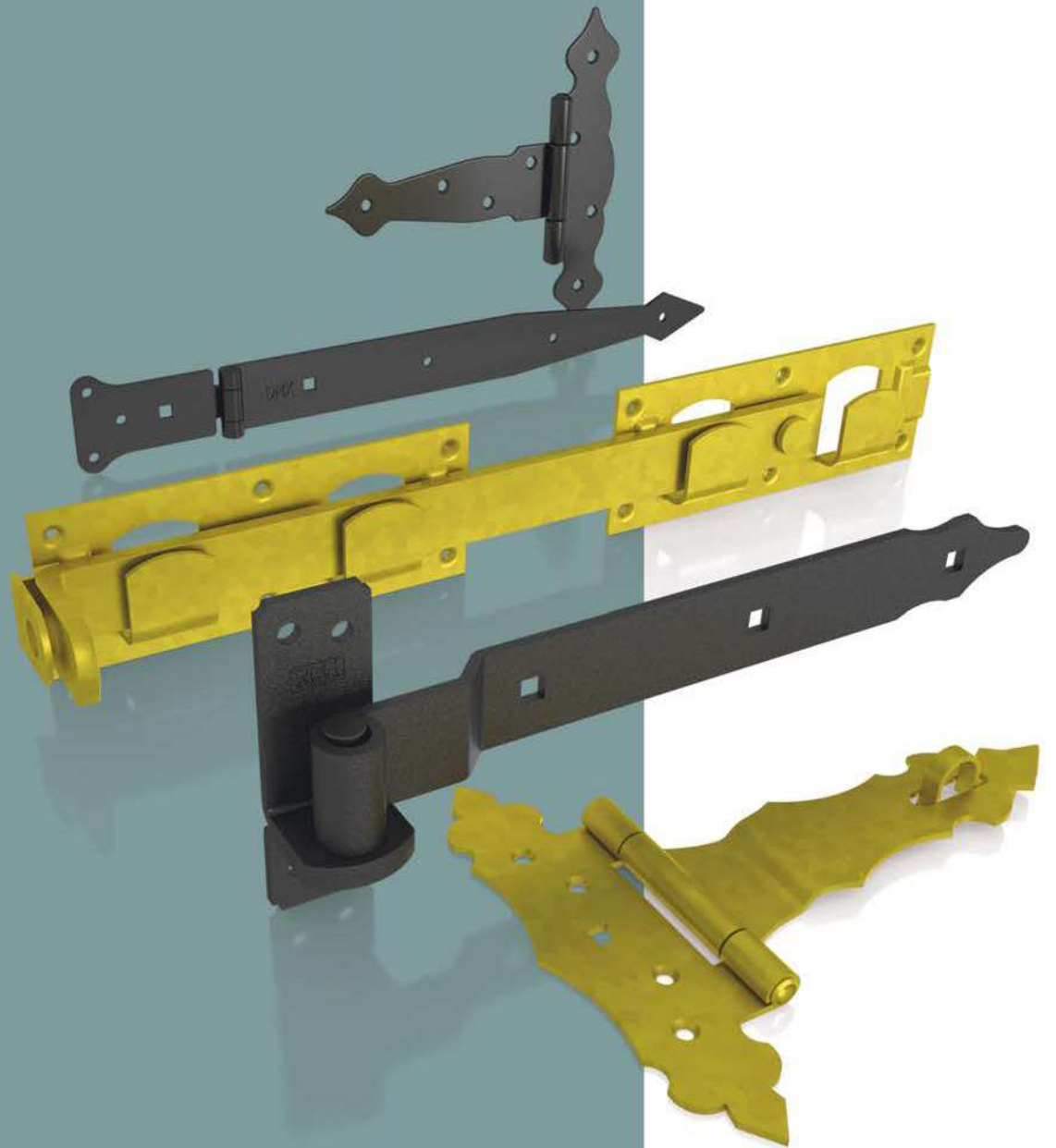
✓ see page

WHS

door lock with numeric code

see page 249





GARDEN FITTINGS
HINGES & LATCHES

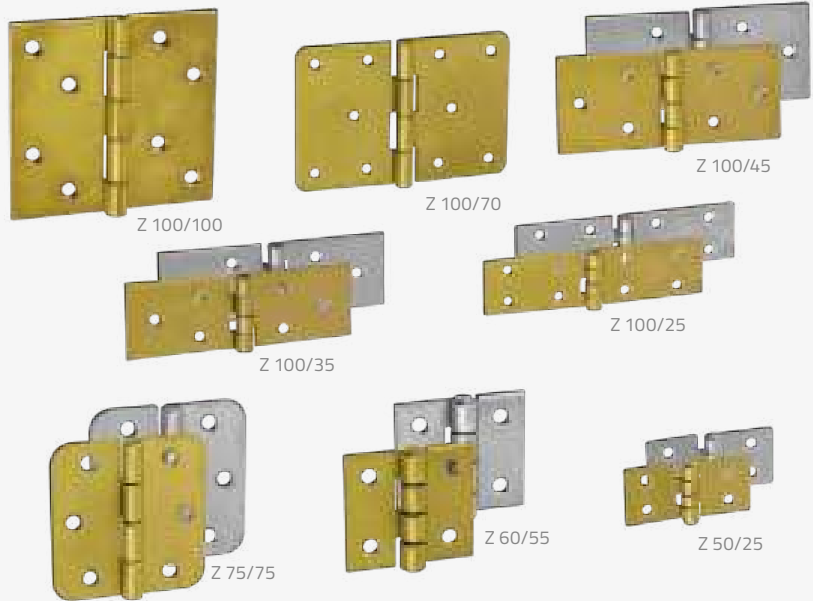
Z

Butt hinge

Application The basic model of a construction hinge. It is suitable for use in all places where a movable connection is required, e.g. at chest lids or cupboard doors.

Material DC01 + yellow galvanization; DC01 + silver galvanization.

Mounting Wood screws $\phi 4$, $\phi 4.5$, $\phi 5$, $\phi 5.5$, $\phi 6$; carriage bolts M6.

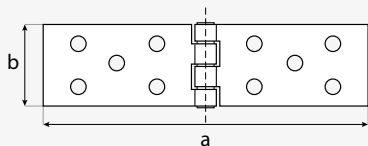
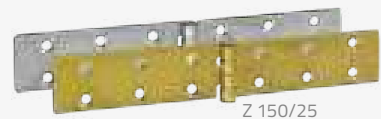
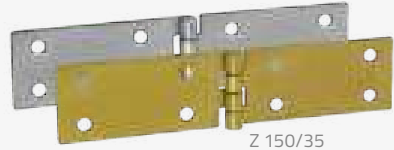
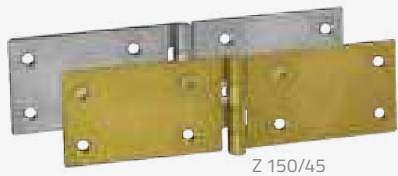
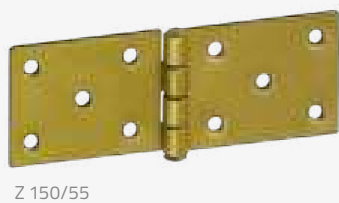
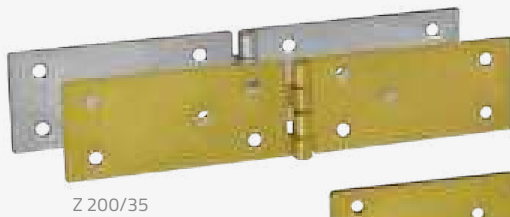
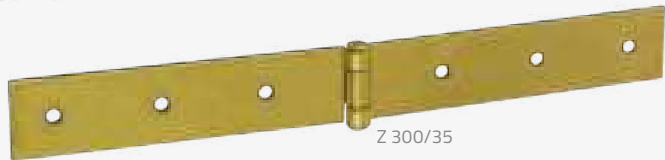
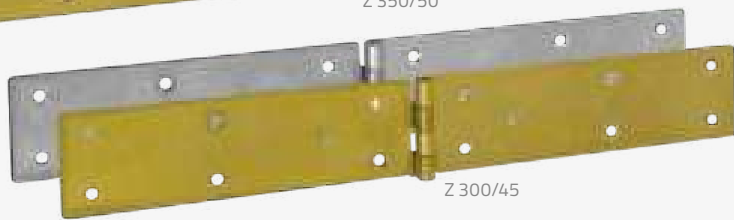
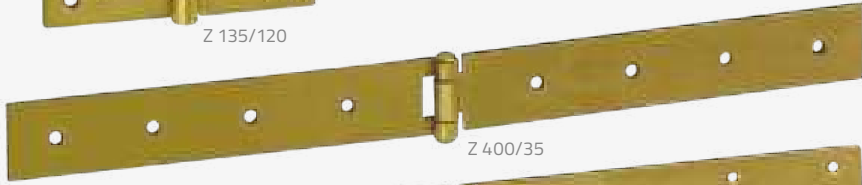
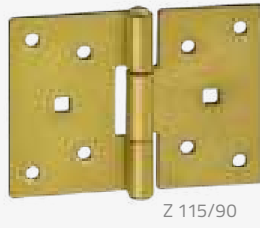


name	coat.	art no.	dimensions [mm]			holes [mm]						weight [g]	pack [pcs]
			a	b	≠	$\phi 4$	$\phi 4.5$	$\phi 5$	$\phi 5.5$	$\phi 6$	$\square 7$		
Z 50/25	●	8021	50	25	1,5	4	-	-	-	-	-	20	20
	●	80214	50	25	1,5	4	-	-	-	-	-	20	20
Z 60/55	●	8022	60	55	2,5	-	-	-	-	4	-	88	20
	●	80224	60	55	2,5	-	-	-	-	4	-	88	20
Z 75/75	●	8020	75	75	1,8	-	-	-	6	-	-	93	20
	●	80204	75	75	1,8	-	-	-	6	-	-	93	20
Z 100/25	●	8023	100	25	1,5	-	10	-	-	-	-	33	10
	●	80234	100	25	1,5	-	10	-	-	-	-	33	10
Z 100/35	●	8024	100	35	1,5	-	-	6	-	-	-	46	10
	●	80244	100	35	1,5	-	-	6	-	-	-	46	10
Z 100/45	●	8025	100	45	1,5	-	-	6	-	-	-	60	10
	●	80254	100	45	1,5	-	-	6	-	-	-	60	10
Z 100/70	●	8041	100	70	1,5	-	-	10	-	-	-	100	10
Z 100/100	●	8055	100	100	2,0	-	-	8	-	-	-	196	10
Z 115/90	●	8042	115	90	2,5	-	-	8	-	-	2	237	10
Z 135/120	●	8043	135	120	2,5	-	-	10	-	-	-	366	10
Z 150/25	●	8026	150	25	1,5	12	-	-	-	-	-	49	10
	●	80264	150	25	1,5	12	-	-	-	-	-	49	10
Z 150/35	●	8027	150	35	1,5	10	-	-	-	-	-	64	10
	●	80274	150	35	1,5	10	-	-	-	-	-	64	10
Z 150/45	●	8028	150	45	1,5	-	8	-	-	-	-	93	10
	●	80284	150	45	1,5	-	8	-	-	-	-	93	10
Z 150/55	●	8029	150	55	2,5	-	-	-	10	-	-	193	10
Z 200/35	●	8031	200	35	1,5	-	10	-	-	-	-	90	10
Z 200/45	●	8032	200	45	1,5	-	10	-	-	-	-	110	10
	●	80324	200	45	1,5	-	10	-	-	-	-	110	10
Z 250/45	●	8033	250	45	1,5	-	12	-	-	-	-	143	10
	●	80334	250	45	1,5	-	12	-	-	-	-	143	10
Z 300/35	●	8036	300	35	2,5	-	-	-	-	6	-	230	10
	●	8035	300	45	1,5	-	12	-	-	-	-	168	10
Z 300/45	●	80354	300	45	1,5	-	12	-	-	-	-	168	10
	●	80354	300	45	1,5	-	12	-	-	-	-	168	10
Z 350/50	●	8037	350	50	1,5	-	14	-	-	-	-	222	10
Z 400/35	●	8038	400	35	2,5	-	-	-	-	8	-	287	10

coating:
 ● yellow galvanization
 ● silver galvanization

Z

Butt hinge



ZS

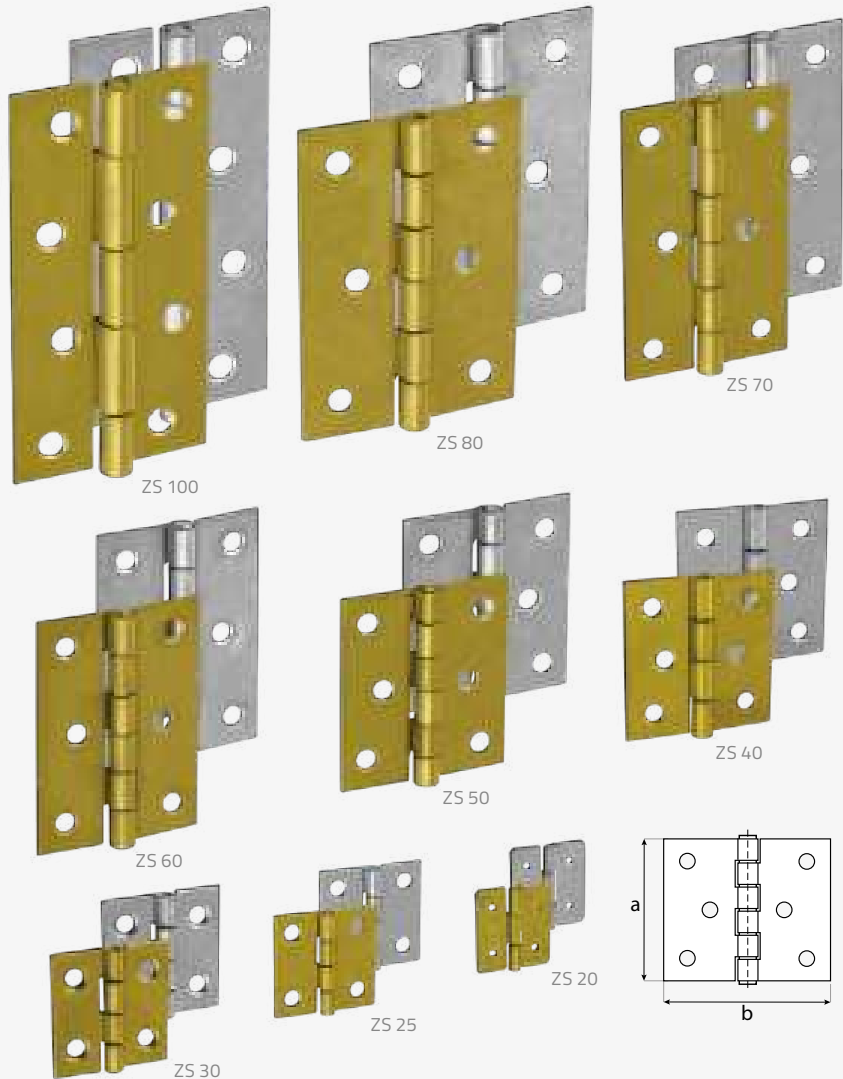
Braided hinge



Application Braided hinge for a large opening angle. It is suitable for use in all places where a movable connection is required, e.g. at chest lids or cupboard doors.

Material DC01 + yellow galvanization; DC01 + silver galvanization.

Mounting Nails for furniture hinges $\varnothing 1.5$; wood screws $\varnothing 3.5$, $\varnothing 4$, $\varnothing 4.5$.



name	coat.	art no.	dimensions [mm]			holes [mm]				weight [g]	packaging
			a	b	≠	$\varnothing 1,5$	$\varnothing 3,5$	$\varnothing 4$	$\varnothing 4,5$		
ZS 20	●	80101	20	17	0,5	4	-	-	-	2	20 à 10 pcs
	●	801041	20	17	0,5	4	-	-	-	2	20 à 10 pcs
ZS 25	●	80111	25	24	1,0	-	4	-	-	6	10 à 10 pcs
	●	801141	25	24	1,0	-	4	-	-	6	10 à 10 pcs
ZS 30	●	80121	30	29	1,0	-	4	-	-	9	10 à 10 pcs
	●	801241	30	29	1,0	-	4	-	-	9	10 à 10 pcs
ZS 40	●	8014	40	40	1,0	-	-	6	-	15	100 pcs
	●	80144	40	40	1,0	-	-	6	-	15	100 pcs
ZS 50	●	8016	50	42	1,0	-	-	6	-	24	50 pcs
	●	80164	50	42	1,0	-	-	6	-	24	50 pcs
ZS 60	●	8017	60	43	1,0	-	-	-	6	29	50 pcs
	●	80174	60	43	1,0	-	-	-	6	29	50 pcs
ZS 70	●	8018	70	43	1,0	-	-	-	6	34	50 pcs
	●	80184	70	43	1,0	-	-	-	6	34	50 pcs
ZS 80	●	8019	80	56	1,5	-	-	-	6	67	20 pcs
	●	80194	80	56	1,5	-	-	-	6	67	20 pcs
ZS 100	●	8045	100	48	1,3	-	-	-	8	80	10 pcs
	●	80454	100	48	1,3	-	-	-	8	80	10 pcs

coating:
 ● yellow galvanization
 ● silver galvanization

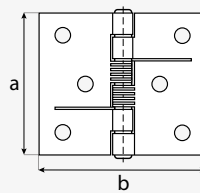
Application Hinge with a spring, perfect for e.g. in the construction of cages and aviaries for animals. Thanks to the use of a spring, the door closes automatically.

Material DC01 + yellow galvanization; DUPLEX: DC01 + Z275 powder coated black.

Mounting Wood screws $\phi 4$, $\phi 4.5$; screw ZAS $\phi 4.5$.

ZSS

Braided hinge
with a spring



name	coat.	art no.	dimensions [mm]			holes [mm]		weight [g]	pack [pcs]
			a	b	≠	$\phi 4$	$\phi 4.5$		
ZSS 40	●	7945506	40	41	1,0	6	–	21	50
	■	7945502	40	41	1,0	6	–	21	50
ZSS 50	●	7945516	50	42	1,0	6	–	21	50
	■	7945512	50	42	1,0	6	–	21	50
ZSS 60	●	7945526	60	44	1,0	–	6	31	50
	■	7945522	60	44	1,0	–	6	31	50

coating:

- yellow galvanization
- DUPLEX: DC01 + Z275 powder coated, black



ZMS

Lift-off hinge

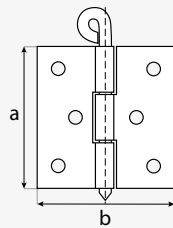
Application Detachable hinge with small dimensions. The two parts of the article are connected with a pin that allows opening and closing. It can also act as a bolt.

Material DC01 + yellow galvanization.

Mounting Wood screws $\phi 4$, $\phi 4.5$, $\phi 5$; screw ZAS $\phi 4.5$.

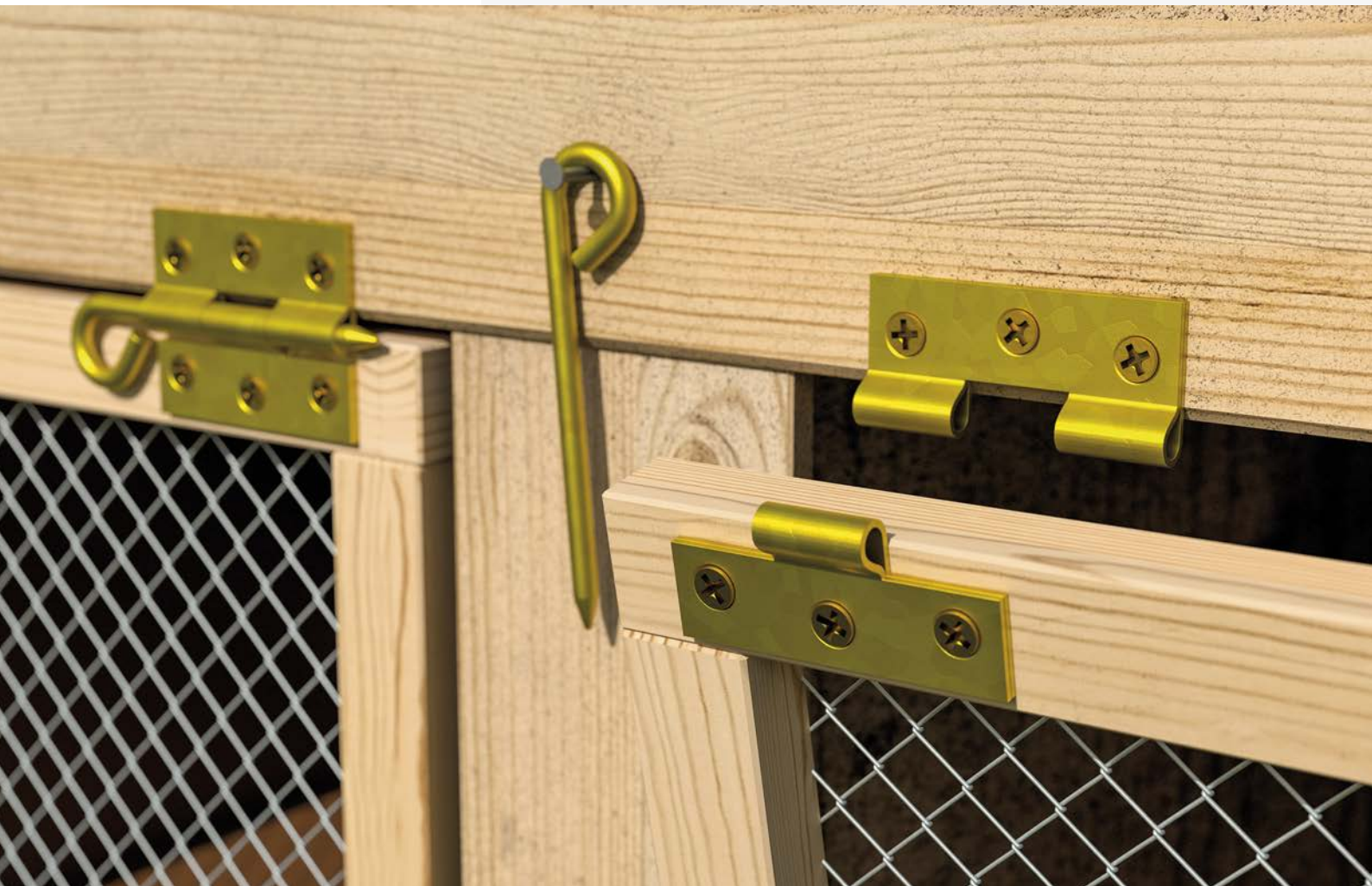


ZMS 70/55



name	coat.	art no.	dimensions [mm]			holes [mm]	weight [g]	pack [pcs]
			a	b	≠	$\phi 4$		
ZMS 70/55	●	8056	70	55	1,5	6	110	20

coating:
● yellow galvanization



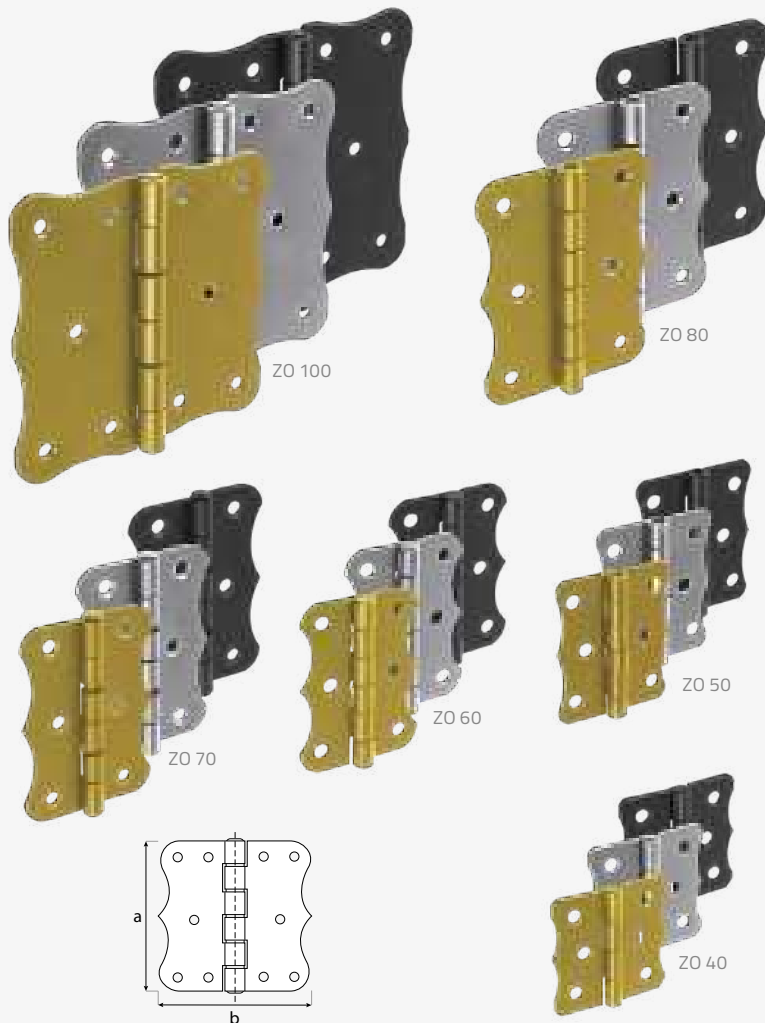
Application Hinge with a decorative finish. Intended for use in furniture and chests requiring the use of a movable connection.

Material DC01 + yellow galvanization; DC01 + silver galvanization; DUPLEX: DC01 + Z275 powder coated, black.

Mounting Wood screws $\phi 4$.

ZO

Decorative hinge



name	coat.	art no.	dimensions [mm]			holes [mm]			weight [g]	pack [pcs]
			a	b	≠	$\phi 4$	$\phi 4.5$	$\phi 5$		
ZO 40	●	7945406	40	45	1,0	6	-	-	21	50
	●	7945404	40	45	1,0	6	-	-	21	50
	■	7945402	40	45	1,0	6	-	-	21	50
ZO 50	●	7945416	50	46	1,0	6	-	-	21	50
	●	7945414	50	46	1,0	6	-	-	21	50
	■	7945412	50	46	1,0	6	-	-	21	50
ZO 60	●	7945426	60	48	1,0	6	-	-	31	50
	●	7945424	60	48	1,0	6	-	-	31	50
	■	7945422	60	48	1,0	6	-	-	31	50
ZO 70	●	7945436	70	51	1,5	-	6	-	51	50
	●	7945434	70	51	1,5	-	6	-	51	50
	■	7945432	70	51	1,5	-	6	-	51	50
ZO 80	●	8046	80	63	1,5	-	6	-	68	20
	●	80464	80	63	1,5	-	6	-	68	20
	■	80462	80	63	1,5	-	6	-	68	20
ZO 100	●	8047	100	102	2,0	-	-	10	162	10
	●	80474	100	102	2,0	-	-	10	162	10
	■	80472	100	102	2,0	-	-	10	162	10

coating:

- yellow galvanization
- silver galvanization
- DUPLEX: DC01 + Z275 powder coated, black

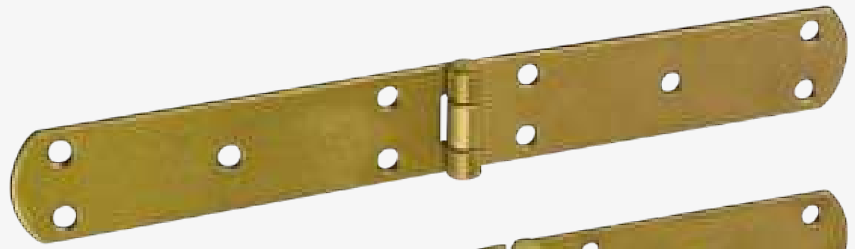
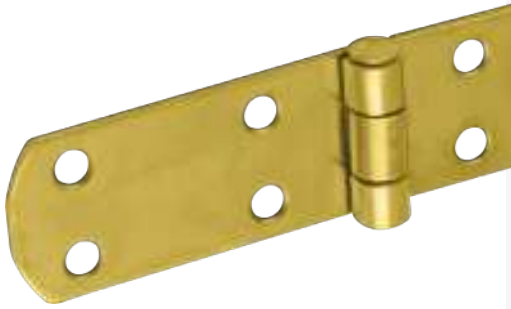
ZF

French hinge

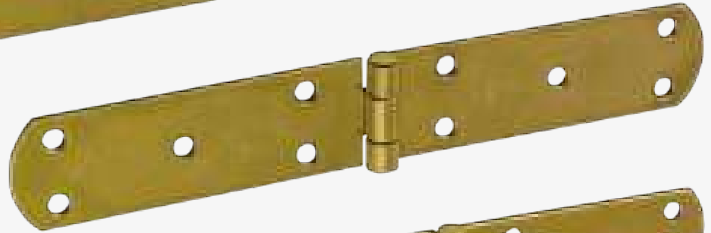
Application French type hinge with oblong shape and rounded corners. The simple design will work well when installing the lid of the box or wooden door in the tool compartment.

Material DC01 + yellow galvanization.

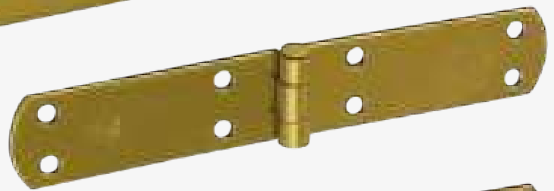
Mounting Wood screws $\phi 4$, $\phi 6$.



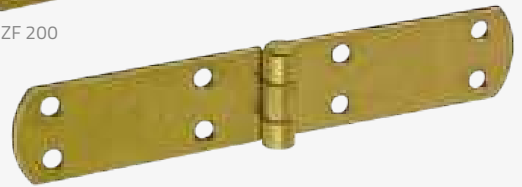
ZF 300



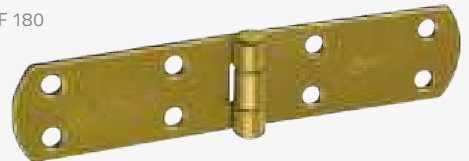
ZF 250



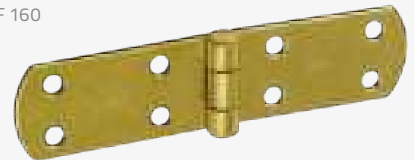
ZF 200



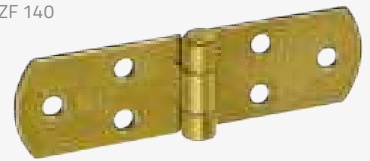
ZF 180



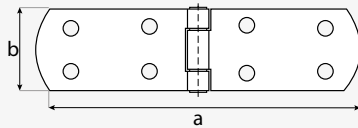
ZF 160



ZF 140



ZF 120



name	coat.	art no.	dimensions [mm]			holes [mm]		weight [g]	pack [pcs]
			a	b	≠	$\phi 6$			
ZF 120	●	8071	120	33	2,5	6	69	10	
ZF 140	●	8072	140	33	2,5	8	79	10	
ZF 160	●	8073	160	33	2,5	8	88	10	
ZF 180	●	8074	180	33	2,5	8	97	10	
ZF 200	●	8075	200	33	2,5	10	108	10	
ZF 250	●	8076	250	38	2,5	10	148	10	
ZF 300	●	8077	300	38	2,5	10	226	10	

coating:
● yellow galvanization

Application Decorative hinge designed to construct gates, wickets or shutters. The rustic finish gives it an elegant look and allows you to create interesting arrangements.

Material DC01 + yellow galvanization; DC01 + silver galvanization; DUPLEX: DC01 + Z275 powder coated, black.

Mounting Wood screws $\varnothing 5$; screw ZAS $\varnothing 4.5$.

ZOF

Decorative French hinge



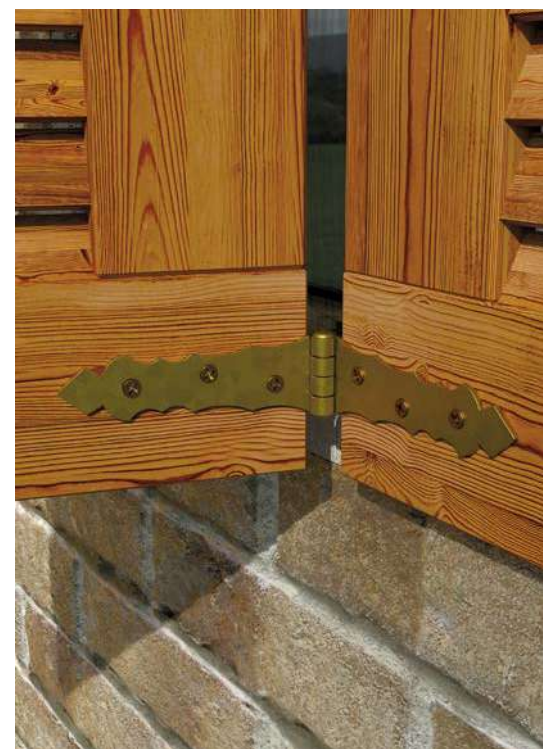
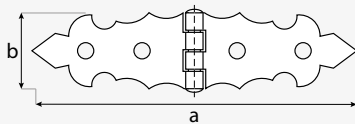
ZOF 250



ZOF 200



ZOF 150



name	coat.	art no.	dimensions [mm]			holes [mm]	weight [g]	pack [pcs]
			a	b	#	$\varnothing 5$		
ZOF 150	●	7945306	150	34	2,0	4	51	10
	●	7945304	150	34	2,0	4	51	10
	■	7945302	150	34	2,0	4	51	10
ZOF 200	●	7945316	200	34	2,0	6	71	10
	●	7945314	200	34	2,0	6	71	10
ZOF 250	■	7945312	200	34	2,0	6	71	10
	●	7945326	250	34	2,0	8	81	10
	●	7945324	250	34	2,0	8	81	10
	■	7945322	250	34	2,0	8	81	10

coating:

- yellow galvanization
- silver galvanization
- DUPLEX: DC01 + Z275 powder coated, black

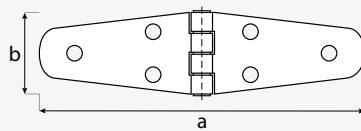
ZTS

Braided triangular hinge

Application Long hinge with tapered wings. The simple design will work well when installing the lid of the box or wooden door in the tool compartment.

Material DC01 + yellow galvanization; DC01 + silver galvanization; DUPLEX: DC01 + Z275 powder coated black.

Mounting Wood screws $\phi 5$; screw ZAS $\phi 4.5$.



name	coat.	art no.	dimensions [mm]			holes [mm]	weight [g]	pack [pcs]
			a	b	≠	$\phi 5$		
ZTS 150	●	8085	150	35	2,0	6	73	10
	●	80854	150	35	2,0	6	73	10
	■	80852	150	35	2,0	6	73	10
ZTS 200	●	8088	200	40	2,0	6	102	10
	●	80884	200	40	2,0	6	102	10
ZTS 250	●	8087	250	45	2,0	10	137	10
	●	80874	250	45	2,0	10	137	10
	■	80872	250	45	2,0	10	137	10

coating:
 ● yellow galvanization
 ● silver galvanization
 ■ DUPLEX: DC01 + Z275 powder coated, black

Application Hinge for constructing or repairing two-part wooden ladders. It has two hinged wings that ensure smooth folding and unfolding of the ladder, as well as its stability during the work performed.

Material DC01 + silver galvanization.

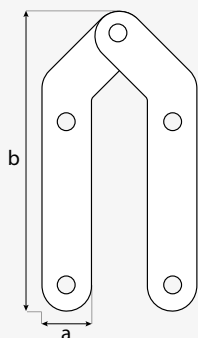
Mounting Wood screws $\varnothing 6$; M6 metric screws.

ZD

Ladder hinge

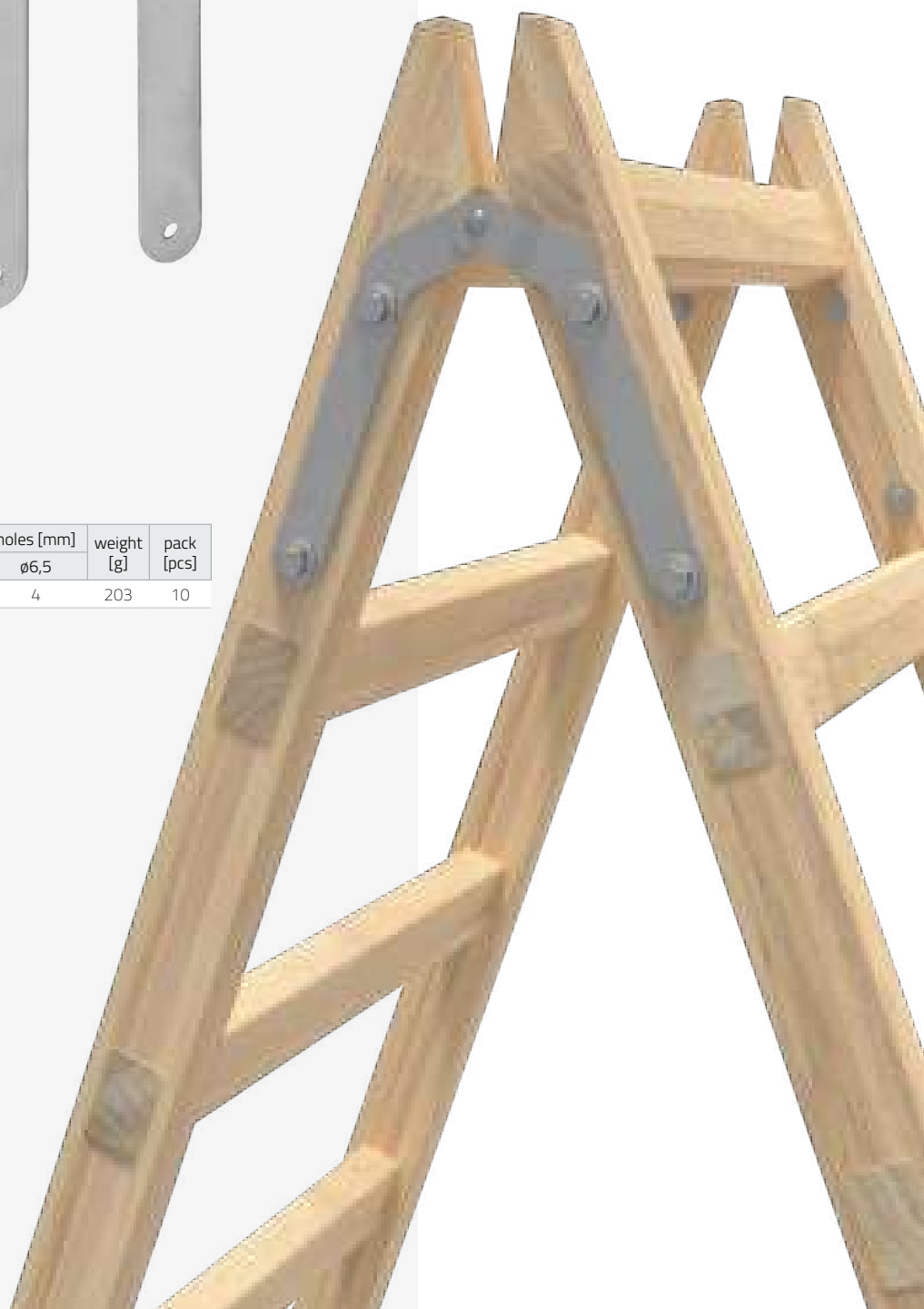


ZD 200



name	coat.	art no.	dimensions [mm]			holes [mm]	weight [g]	pack [pcs]
			a	b	≠	$\varnothing 6,5$		
ZD 200	●	8048	200	25	2,5	4	203	10

coating:
● silver galvanization



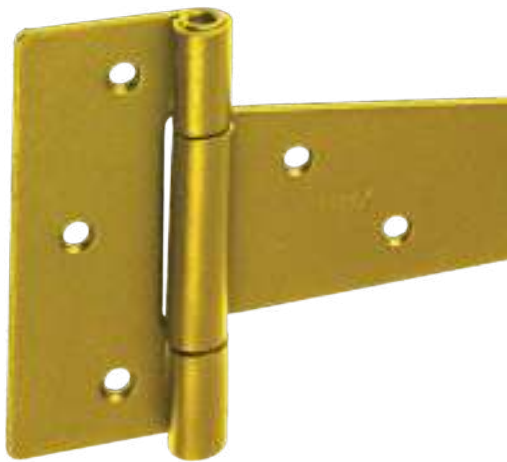
ZT

Gate hinge

Application A universal hinge consisting of a narrow rectangular part and a tapered elongated leaf. Intended for fastening, e.g. doors, flaps, age and light wickets.

Material DC01 + yellow galvanization; DC01 + silver galvanization; DUPLEX: DC01 + Z275 powder coated black.

Mounting Wood screws $\phi 4$.



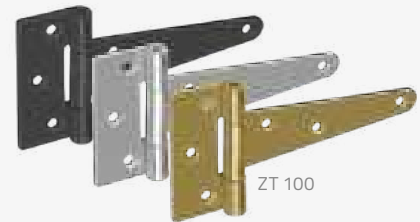
ZT 200



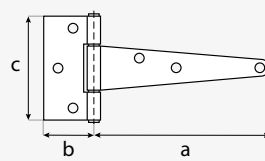
ZT 150



ZT 125



ZT 100



name	coat.	art no.	dimensions [mm]				holes [mm]		weight [g]	pack [pcs]
			a	b	c	≠	$\phi 4$			
ZT 100	●	8181	100	30	65	2,0	6	86	10	
	●	81814	100	30	65	2,0	6	86	10	
	■	81812	100	30	65	2,0	6	86	10	
ZT 125	●	8182	125	35	80	2,0	6	115	10	
	●	81824	125	35	80	2,0	6	115	10	
ZT 150	●	8183	150	35	80	2,0	7	128	10	
	●	81834	150	35	80	2,0	7	128	10	
ZT 200	●	8184	200	50	110	2,5	7	346	10	
	●	81844	200	50	110	2,5	7	346	10	
	■	81842	200	50	110	2,5	7	346	10	

coating:
 ● yellow galvanization
 ● silver galvanization
 ■ DUPLEX: DC01 + Z275 powder coated, black

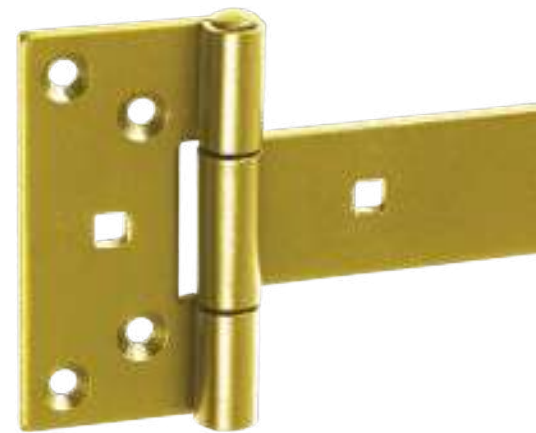
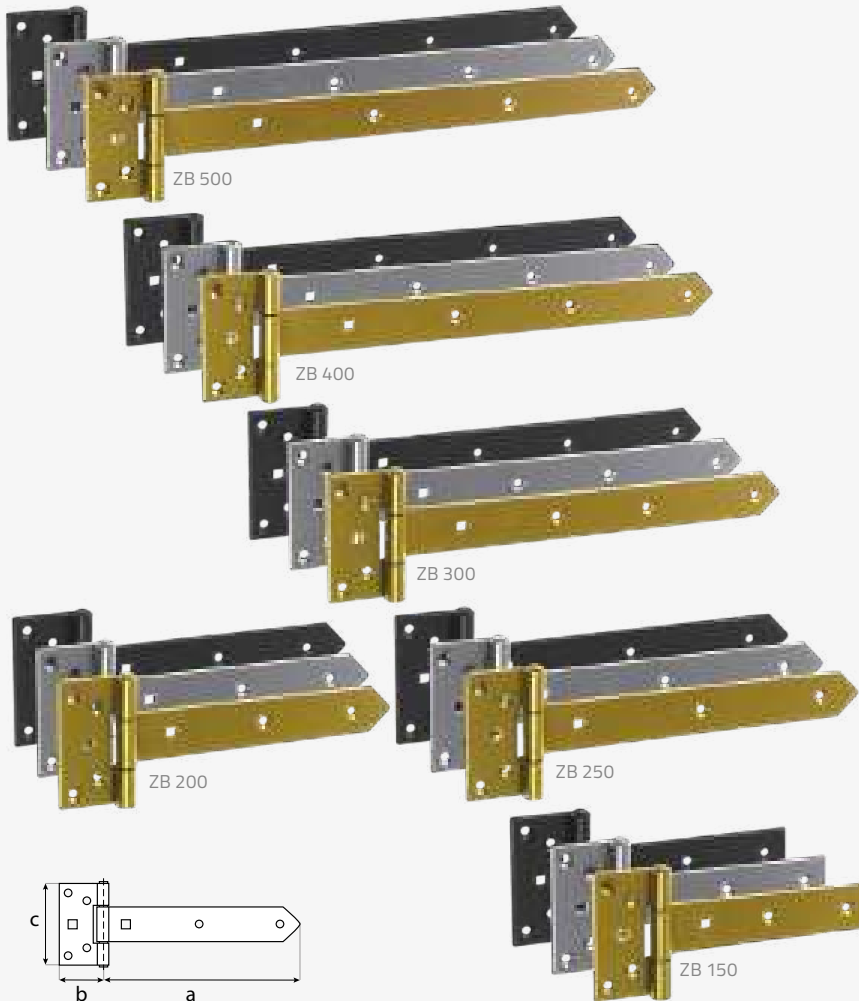
Application Gate hinge consisting of a narrow rectangular part and longitudinal wing. Intended for the installation of gates, doors and shutters.

Material DC01 + yellow galvanization; DC01 + silver galvanization; DUPLEX: DC01 + Z275 powder coated, black.

Mounting Wood screws $\phi 4.5$; screw ZAS $\phi 4.5$; carriage bolts M6; carriage bolt ZACB M6.

ZB

Gate hinge



name	coat.	art no.	dimensions [mm]				holes [mm]		weight [g]	pack [pcs]
			a	b	c	≠	$\phi 4.5$	$\square 7$		
ZB 150	●	8101	150	45	90	3,0	6	2	279	10
	●	81014	150	45	90	3,0	6	2	279	10
	■	81012	150	45	90	3,0	6	2	279	10
ZB 200	●	8102	200	45	90	3,0	6	2	317	10
	●	81024	200	45	90	3,0	6	2	317	10
	■	81022	200	45	90	3,0	6	2	317	10
ZB 250	●	8103	250	45	90	3,0	6	2	354	10
	●	81034	250	45	90	3,0	6	2	354	10
	■	81032	250	45	90	3,0	6	2	354	10
ZB 300	●	8104	300	45	90	3,0	7	2	394	10
	●	81044	300	45	90	3,0	7	2	394	10
	■	81042	300	45	90	3,0	7	2	394	10
ZB 350	●	8105	350	45	90	3,0	7	2	426	10
	●	81054	350	45	90	3,0	7	2	426	10
	■	81052	350	45	90	3,0	7	2	426	10
ZB 400	●	8106	400	45	90	3,0	7	2	473	10
	●	81064	400	45	90	3,0	7	2	473	10
	■	81062	400	45	90	3,0	7	2	473	10

coating:
 ● yellow galvanization
 ● silver galvanization
 ■ DUPLEX: DC01 + Z275 powder coated, black



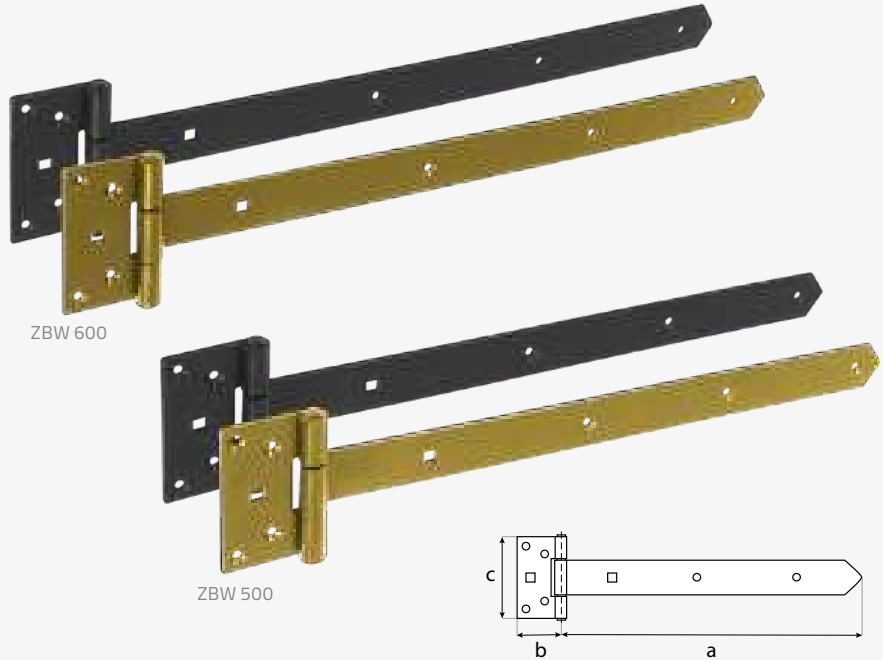
ZBW

Gate hinge

Application Gate hinge consisting of a narrow rectangular part and an elongated wing with a triangular ending. Designed for mounting gates, doors or shutters. Available in larger sizes.

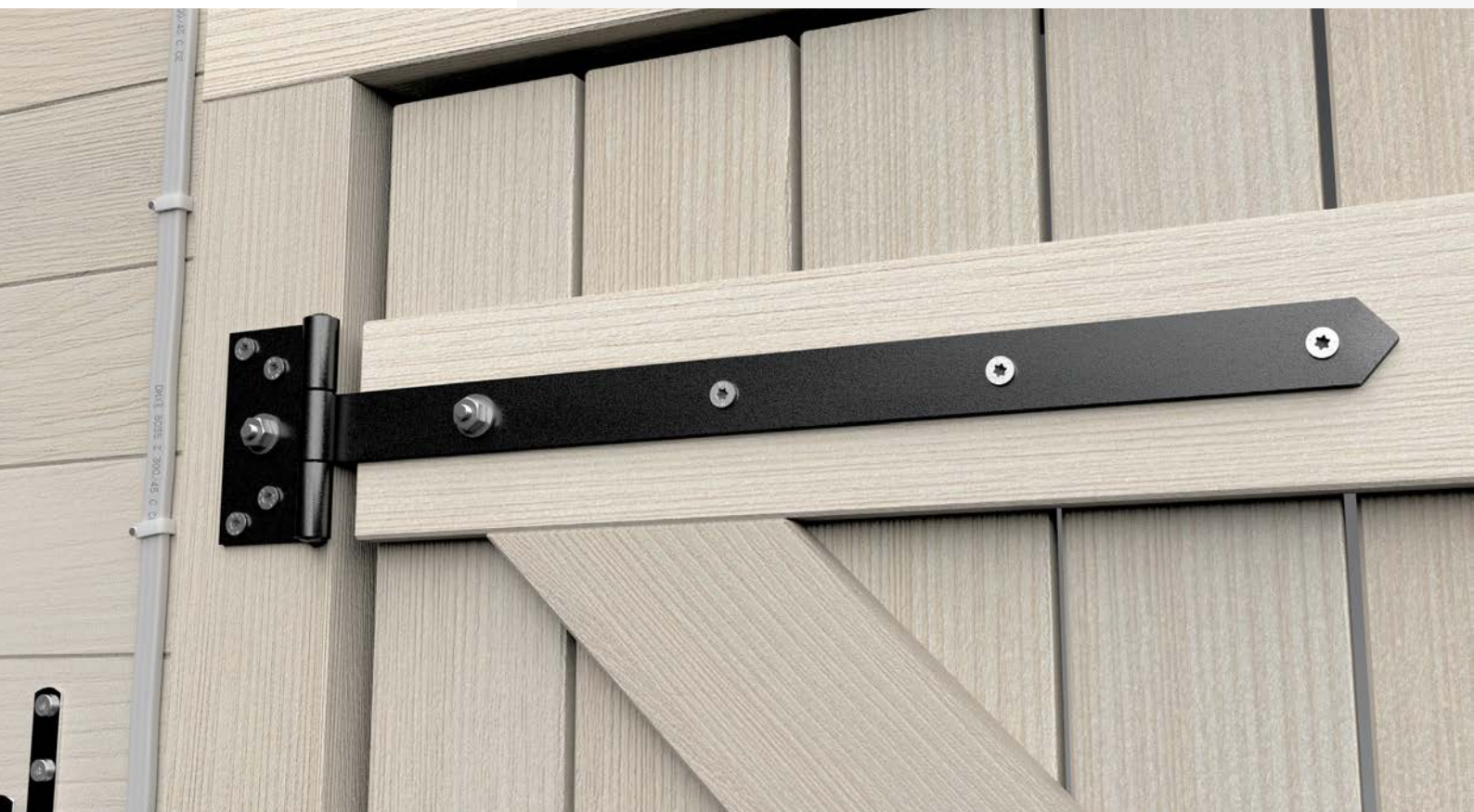
Material DC01 + yellow galvanization; DUPLEX: DC01 + Z275 powder coated black.

Mounting Wood screws $\varnothing 6$; carriage bolts M8; carriage bolt ZACB M8.



name	coat.	art no.	dimensions [mm]				holes [mm]			weight [g]	pack [pcs]
			a	b	c	≠	$\varnothing 6,5$	$\square 9$			
ZBW 500	●	8114	500	65	110	4,0	7	2	924	10	
	■	81142	500	65	110	4,0	7	2	924	10	
ZBW 600	●	8115	600	65	110	4,0	7	2	1038	10	
	■	81152	600	65	110	4,0	7	2	1038	10	

coating:
 ● yellow galvanization
 ■ DUPLEX: DC01 + Z275 powder coated, black



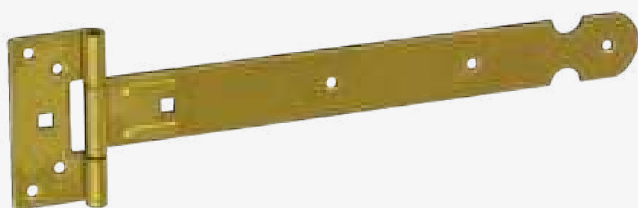
Application Light version of the gate hinge, equipped with an additional embossing. It is perfect for the installation of smaller gates, doors or chests, giving them an elegant finish.

Material DC01 + yellow galvanization.

Mounting Wood screws $\varnothing 4, \varnothing 5$; carriage bolts M6.

ZBL

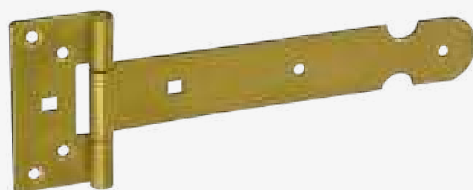
Gate hinge



ZBL 300



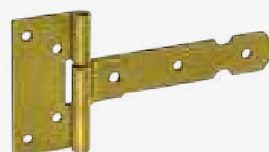
ZBL 250



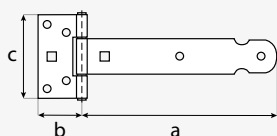
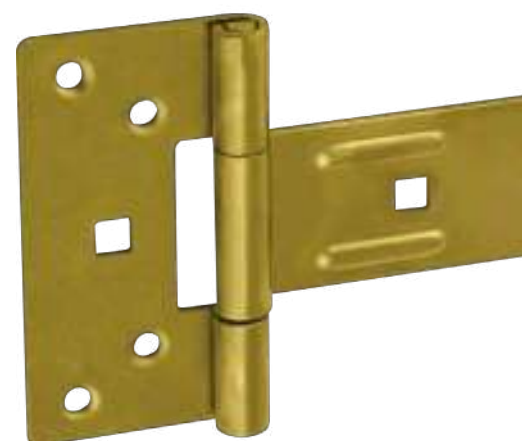
ZBL 200



ZBL 150



ZBL 100



name	coat.	art no.	dimensions [mm]				holes [mm]			weight [g]	pack [pcs]
			a	b	c	≠	$\varnothing 4$	$\varnothing 5$	$\square 7$		
ZBL 100	●	8130	100	32	65	1,5	7	–	–	75	10
ZBL 150	●	8131	150	32	65	1,5	7	–	–	89	10
ZBL 200	●	8132	200	38	84	2,0	–	6	2	186	10
ZBL 250	●	8133	250	38	84	2,0	–	6	2	213	10
ZBL 300	●	8134	300	38	84	2,0	–	7	2	243	10

coating:
● yellow galvanization



ZBP

Strap gate hinge

Application Universal strap gate hinge with an elongated shape and a durable braid. Designed for mounting wickets, gates or chests.

Material DC01 + yellow galvanization; DUPLEX: DC01 + Z275 powder coated black.

Mounting Wood screws $\varnothing 5$; carriage bolts M6; carriage bolt ZACB M6.



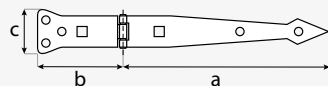
ZBP 300



ZBP 250



ZBP 200



name	coat.	art no.	dimensions [mm]				holes [mm]		weight [g]	pack [pcs]
			a	b	c	≠	$\varnothing 5$	$\square 7$		
ZBP 200	●	8161	200	80	50	2,5	5	2	176	10
	■	81612	200	80	50	2,5	5	2	176	10
ZBP 250	●	8162	250	80	50	2,5	5	2	211	10
ZBP 300	●	8163	300	80	50	2,5	6	2	242	10
	■	81632	300	80	50	2,5	6	2	242	10

coating:
 ● yellow galvanization
 ■ DUPLEX: DC01 + Z275 powder coated, black



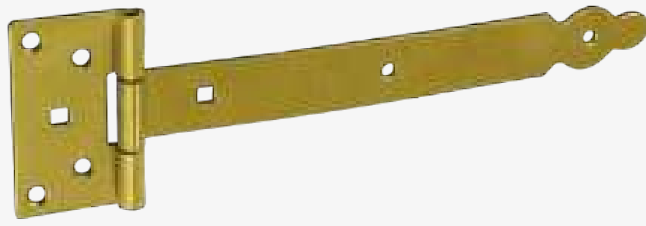
ZBO

Decorative gate hinge

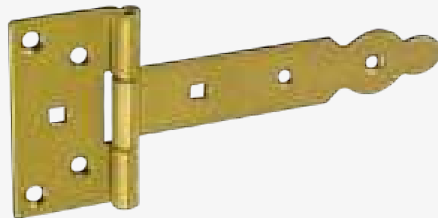
Application Gate hinge consisting of a narrow rectangular part and an elongated wing with a decorative finish. Designed for mounting gates, doors or shutters.

Material DC01 + yellow galvanization.

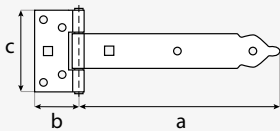
Mounting Wood screws $\varnothing 6$; carriage bolts M6.



ZBO 250



ZBO 150



name	coat.	art no.	dimensions [mm]					holes [mm]		weight [g]	pack [pcs]
			a	b	c	d	≠	$\varnothing 6$	$\square 7$		
ZBO 150	●	8121	150	60	90	35	2,5	6	2	177	10
ZBO 250	●	8122	250	60	90	35	2,5	6	2	228	10
ZBO 350	●	8123	350	60	90	35	2,5	7	2	269	10

coating:

● yellow galvanization



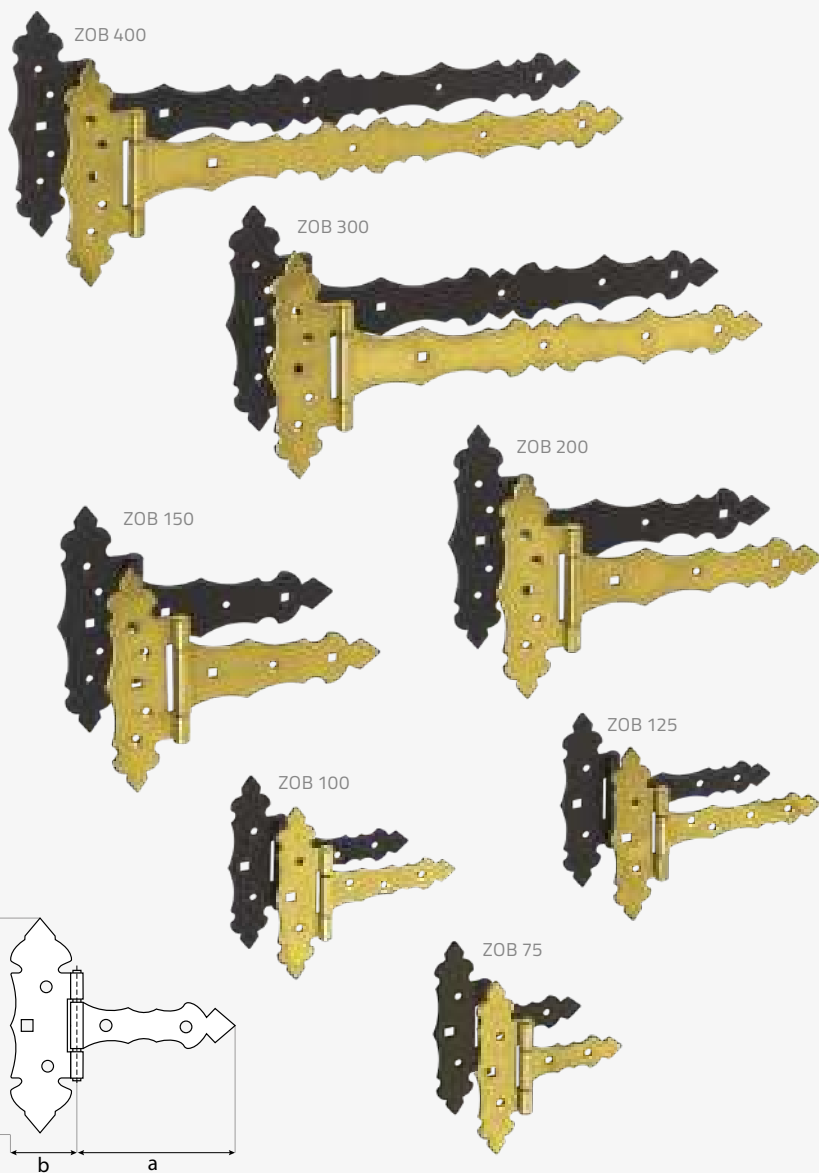
ZOB

Decorative gate hinge

Application Decorative hinge designed to construct gates, wickets or shutters. The rustic finish gives it an elegant look and allows you to create interesting arrangements. Available in black and gold.

Material DC01 + yellow galvanization; DUPLEX: DC01 + Z275 powder coated black.

Mounting Wood screws $\varnothing 4.5$; screw ZAS $\varnothing 4.5$; carriage bolts M6; carriage bolt ZACB M6.



name	coat.	art no.	dimensions [mm]				holes [mm]		weight [g]	pack [pcs]
			a	b	c	≠	$\varnothing 5$	$\square 7$		
ZOB 75	●	7945016	75	130	30	2,0	4	1	101	10
	■	7945012	75	130	30	2,0	4	1	101	10
ZOB 100	●	7945026	100	130	30	2,0	5	1	111	10
	■	7945022	100	130	30	2,0	5	1	111	10
ZOB 125	●	7945036	125	130	30	2,0	6	1	121	10
	■	7945032	125	130	30	2,0	6	1	121	10
ZOB 150	●	7945046	150	170	30	2,5	5	3	281	10
	■	7945042	150	170	30	2,5	5	3	281	10
ZOB 200	●	7945056	200	170	30	2,5	5	3	301	10
	■	7945052	200	170	30	2,5	5	3	301	10
ZOB 300	●	7945066	300	170	30	2,5	6	3	391	10
	■	7945062	300	170	30	2,5	6	3	391	10
ZOB 400	●	7945076	400	170	30	2,5	6	3	421	10
	■	7945072	400	170	30	2,5	6	3	421	10

coating:
 ● yellow galvanization
 ■ DUPLEX: DC01 + Z275 powder coated, black

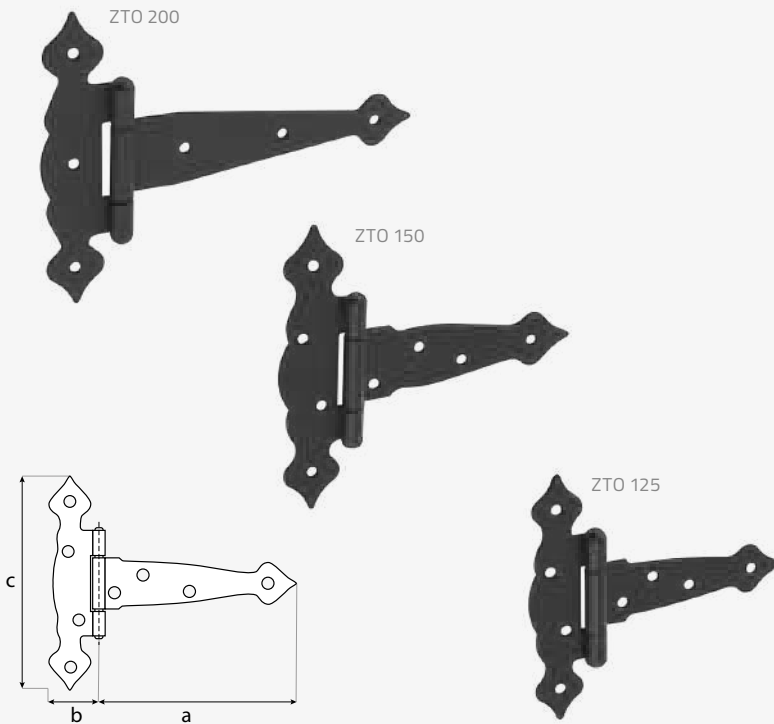
Application Decorative hinge designed to construct gates, wickets or shutters. The rustic finish gives it an elegant look and allows you to create interesting arrangements. Available in black and gold.

Material DUPLEX: DC01 + Z275 powder coated, black.

Mounting Wood screws $\varnothing 6$.

ZTO

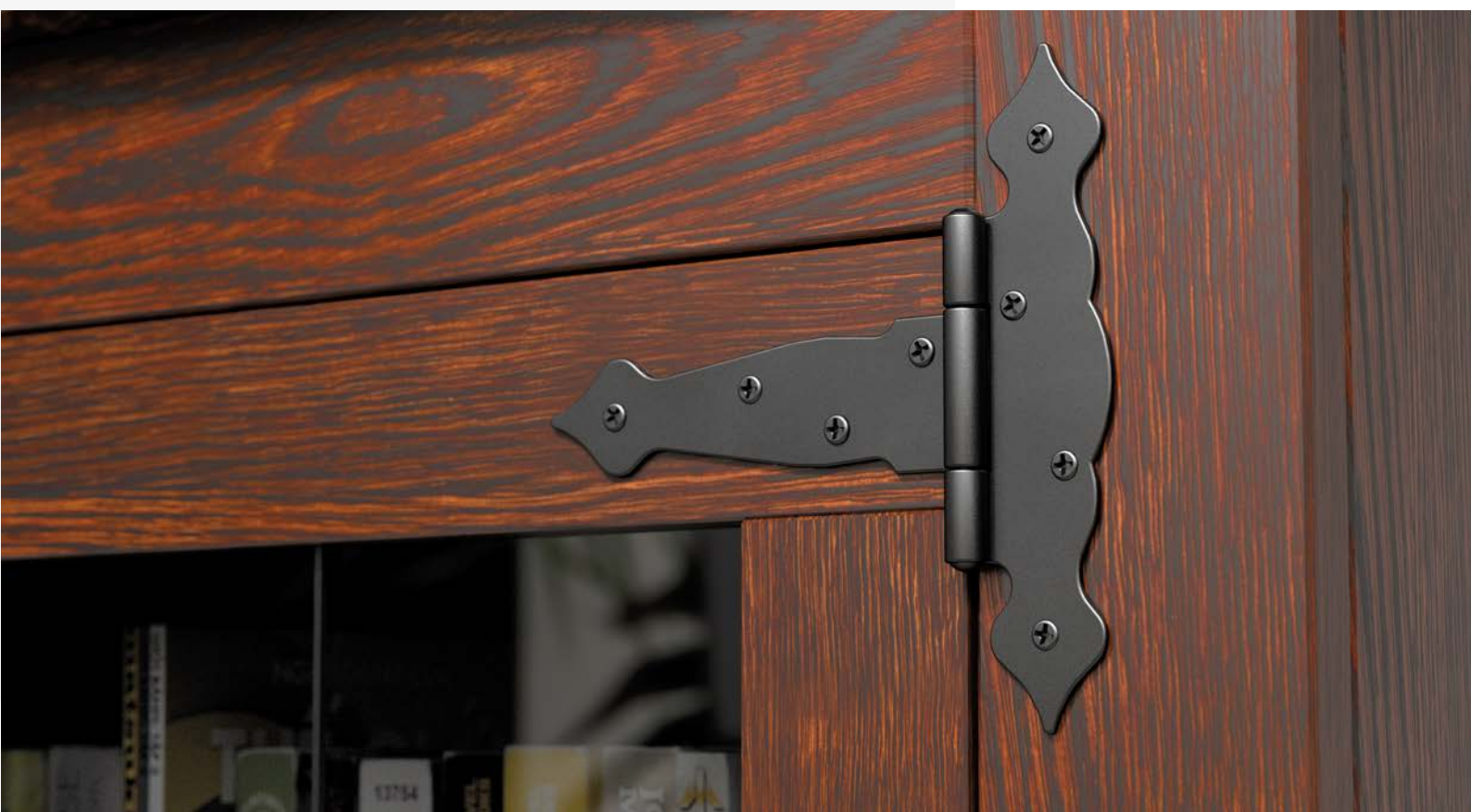
Decorative
tee hinge



name	coat.	art no.	dimensions [mm]				holes [mm]	weight [g]	pack [pcs]
			a	b	c	≠	$\varnothing 6$		
ZTO 125	■	89202	125	40	160	2,5	8	231	10
ZTO 150	■	89212	150	45	185	2,5	8	288	10
ZTO 200	■	89222	200	50	190	2,5	7	366	10

coating:

■ DUPLEX: DC01 + Z275 powder coated, black



ZBNO

Decorative gate hinge



Application

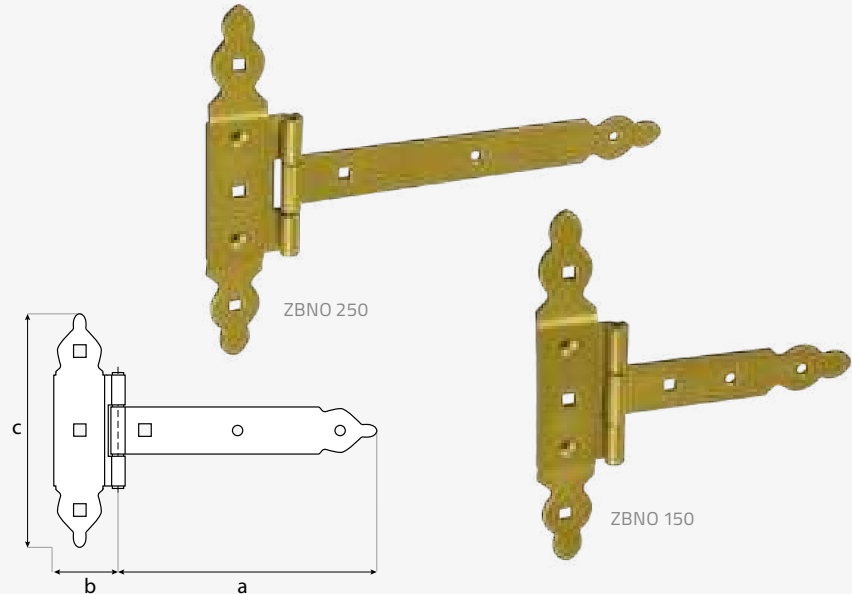
A decorative hinge with an overlay designed for constructing gates, wickets or shutters. The rustic-style finish gives the structure an elegant look and allows you to create interesting arrangements.

Material

DC01 + yellow galvanization.

Mounting

Wood screws $\varnothing 5$; carriage bolts M6.



name	coat.	art no.	dimensions [mm]				holes [mm]		weight [g]	pack [pcs]
			a	b	c	≠	$\varnothing 5$	$\square 7$		
ZBNO 150	●	8141	150	60	215	2,5	2	4	272	10
ZBNO 250	●	8142	250	60	215	2,5	2	4	324	10

coating:

● yellow galvanization

ZOK

Decorative gate hinge



Application

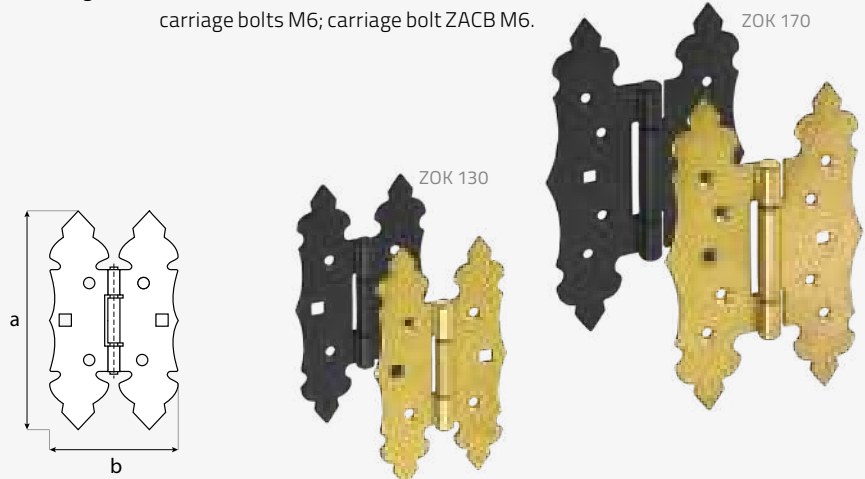
Decorative hinge designed to construct gates, wickets or shutters. The vertically elongated article will take up less space than a traditional gate hinge. The rustic-style finish gives the structure an elegant look and allows you to create interesting arrangements.

Material

DC01 + yellow galvanization; DUPLEX: DC01 + Z275 powder coated black.

Mounting

Wood screws $\varnothing 4.5$; screw ZAS $\varnothing 4.5$; carriage bolts M6; carriage bolt ZACB M6.



name	coat.	art no.	dimensions [mm]			holes [mm]		weight [g]	pack [pcs]
			a	b	≠	$\varnothing 5$	$\square 7$		
ZOK 130	●	7945206	130	70	2,0	4	2	121	10
	■	7945202	130	70	2,0	4	2	121	10
ZOK 170	●	7945216	170	105	2,5	8	2	291	10
	■	7945212	170	105	2,5	8	2	291	10

coating:

● yellow galvanization

■ DUPLEX: DC01 + Z275 powder coated, black

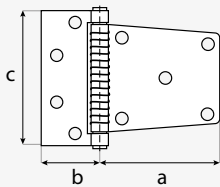
Application Reinforced black gate hinge with a compact shape. Perfect for installing gates. Equipped with an adjustable spring whose tension force can be increased or decreased using an Allen key.

Material DUPLEX: DC01 + Z275 powder coated black.

Mounting Wood screws $\phi 6$.



ZBC 85



name	coat.	art no.	dimensions [mm]				holes [mm]	weight [g]	pack [pcs]
			a	b	c	≠	$\phi 7$		
ZBC 85	■	810712	85	52	100	2,5	9	700	10

coating:
 ■ DUPLEX: DC01 + Z275 powder coated, black

ZBC

Self-closing gate hinge



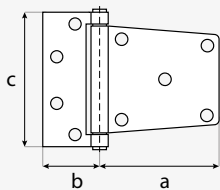
Application Reinforced black gate hinge with a compact shape. Perfect for installing gates.

Material DUPLEX: DC01 + Z275 powder coated black.

Mounting Wood screws $\phi 6$.



ZBS 85



name	coat.	art no.	dimensions [mm]				holes [mm]	weight [g]	pack [pcs]
			a	b	c	≠	$\phi 7$		
ZBS 85	■	810722	85	52	100	2,5	9	700	10

coating:
 ■ DUPLEX: DC01 + Z275 powder coated, black

ZBS

Gate hinge



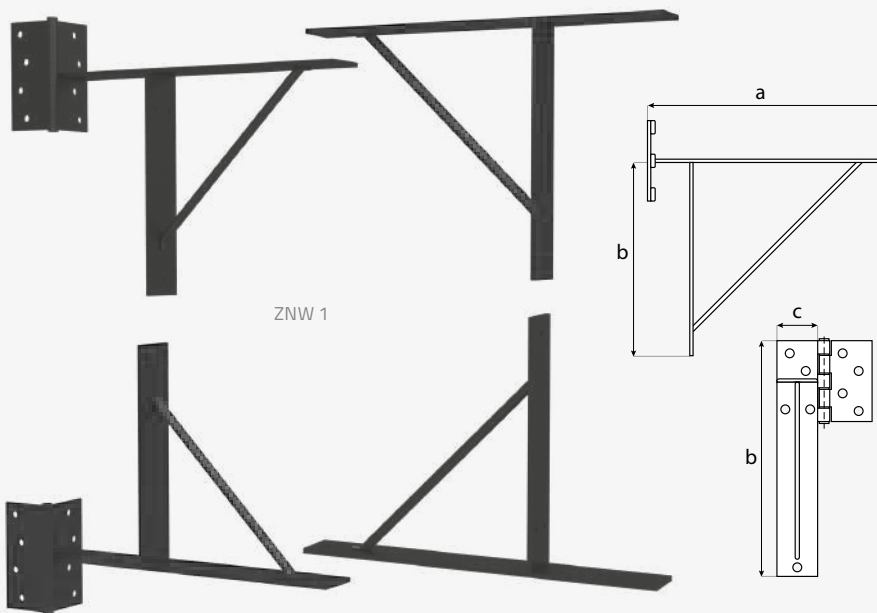
ZNW

Corner hinge kit

Application A four-element set for building a wicket or shutter. It consists of 2 regular brackets and 2 brackets with a built-in hinge. It allows you to make a complete frame - just prepare the wooden beams and fix the set with screws.

Material DUPLEX: S235 + Z275 powder coated, black.

Mounting Wood screws $\phi 4$, $\phi 6$.



name	coat.	art no.	dimensions [mm]				holes [mm]		weight [g]	pack [pcs]
			a	b	c	≠	$\phi 4$	$\phi 6$		
ZNW 1	■	8272	300	200	38	3,0	28	16	2800	10

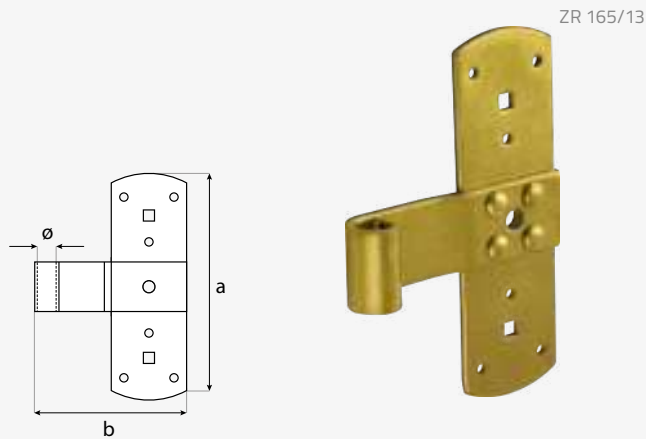
coating:
 ■ DUPLEX: S235 + Z275 powder coated, black



Application Frame hinge designed for the installation of shutters. The bent part of the element is used to put the door leaf, wicket or shutter on the pintle handle.

Material DC01 + yellow galvanization.

Mounting Wood screws $\varnothing 4$, $\varnothing 8$; carriage bolts M6.



name	coat.	art no.	dimensions [mm]				holes [mm]			weight [g]	pack [pcs]
			a	b	\varnothing	\neq	$\varnothing 4$	$\varnothing 9$	$\square 7$		
ZR 165/13	●	8261	165	110	13	3,0	6	1	2	343	10

coating:
● yellow galvanization

ZR

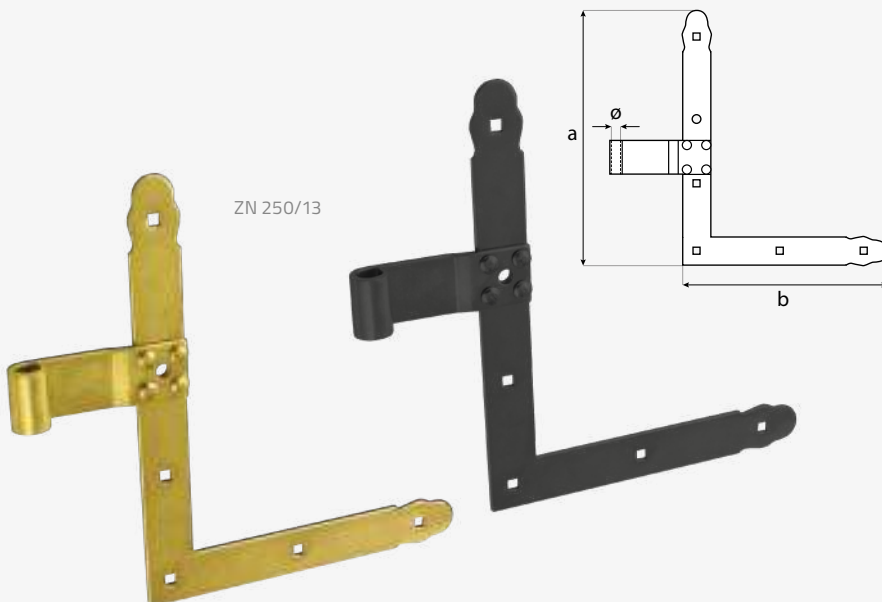
T-type hinge



Application Hinge with a decorative finish designed for mounting gates, wickets or shutters. It creates an additional frame and strengthens the entire structure. The bent part of the element is used to put the structure on pin.

Material DC01 + yellow galvanization; DUPLEX: DC01 + Z275 powder coated black.

Mounting Wood screws $\varnothing 8$; carriage bolts M6; carriage bolt ZACB M6.



name	coat.	art no.	dimensions [mm]				holes [mm]		weight [g]	pack [pcs]
			a	b	\varnothing	\neq	$\varnothing 9$	$\square 7$		
ZN 250/13 L+R	●	8271	250	200	13	3,0	1	5	904	5
	■	82712	250	200	13	3,0	1	5	904	5

coating:
● yellow galvanization
■ DUPLEX: DC01 + Z275 powder coated, black

ZN

Corner hinge



ZNO

Corner hinge



Application

Hinge with a decorative finish in a rustic style, designed for mounting wickets or shutters. It creates an additional frame and strengthens the entire structure. The bent part of the element is used to put the structure on pin.

Material

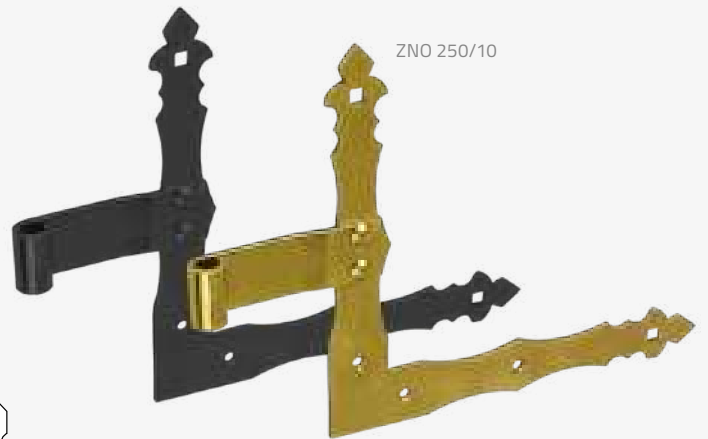
DC01 + yellow galvanization; DUPLEX: DC01 + Z275 powder coated black.

Mounting

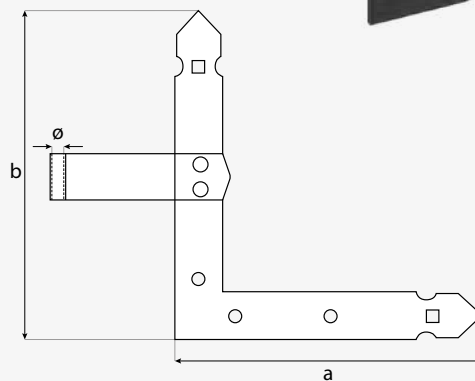
Wood screws $\varnothing 5$; screw ZAS $\varnothing 4.5$; carriage bolts M6; carriage bolt ZACB M6.



ZNO 350/13



ZNO 250/10



name	coat.	art no.	dimensions [mm]				holes [mm]		weight [g]	pack [pcs]
			a	b	\varnothing	\neq	$\varnothing 5$	$\square 7$		
ZNO 250/10 L+R	●	82731	250	200	10	3,0	6	4	566	5
	■	827312	250	200	10	3,0	6	4	566	5
ZNO 350/13 L+R	●	82732	350	300	13	4,0	6	4	1252	5
	■	827322	350	300	13	4,0	6	4	1252	5

coating:

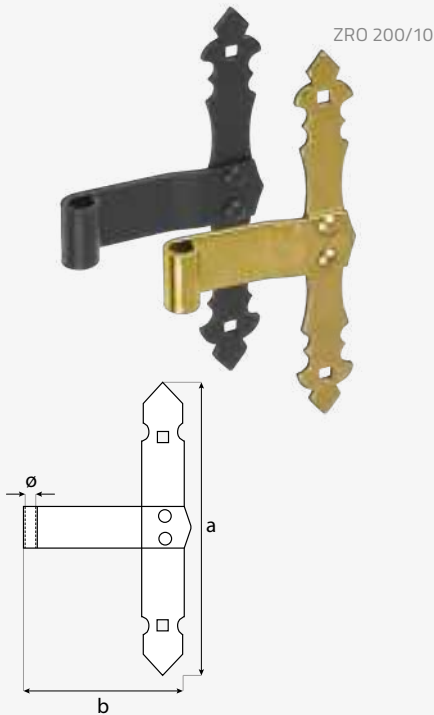
- yellow galvanization
- DUPLEX: DC01 + Z275 powder coated, black

Application A frame hinge with a decorative finish in a rustic style, designed for mounting gates or shutters. The bent part of the element is used to put the structure on the pin.

Material DC01 + yellow galvanization; DUPLEX: DC01 + Z275 powder coated, black.
Mounting Carriage bolts M6; carriage bolt ZACB M6.

ZRO

T-type hinge



name	coat.	art no.	dimensions [mm]				holes [mm]		weight [g]	pack [pcs]
			a	b	ø	≠	□7			
ZRO 200/10	●	82621	200	100	10	3,0	2	183	10	
	■	826212	200	100	10	3,0	2	183	10	
ZRO 300/13	●	82622	300	100	13	4,0	2	405	10	
	■	826222	300	100	13	4,0	2	405	10	

coating:

- yellow galvanization
- DUPLEX: DC01 + Z275 powder coated, black



ZP

Strap hinge

Application Strong and durable strap hinge, ideal for mounting gates or doors. Requires the use of a pin on which the hinge is placed.

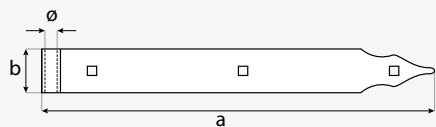
Material S235 + yellow galvanization; S235 + powder coated black.

Mounting Wood screws $\varnothing 6$; carriage bolts M6, M8; carriage bolt ZACB M6, M8.



ZP

Strap hinge



name	coat.	art no.	dimensions [mm]				holes [mm]			weight [g]	pack [pcs]
			a	b	ø	≠	ø7	□7	□9		
ZP 300/10	●	8201	300	30	10	3,0	2	1	-	223	10
	●	82012	300	30	10	3,0	2	1	-	223	10
ZP 400/10	●	8202	400	30	10	3,0	2	1	-	289	10
	●	82022	400	30	10	3,0	2	1	-	289	10
ZP 300/13	●	8203	300	35	13	4,0	-	-	3	327	10
	●	82032	300	35	13	4,0	-	-	3	327	10
ZP 400/13	●	8204	400	35	13	4,0	-	-	3	452	10
	●	82042	400	35	13	4,0	-	-	3	452	10
ZP 500/13	●	8205	500	35	13	4,0	-	-	4	561	10
	●	82052	500	35	13	4,0	-	-	4	561	10
ZP 600/13	●	8206	600	35	13	4,0	-	-	4	654	10
	●	82062	600	35	13	4,0	-	-	4	654	10
ZP 500/16	●	8207	500	40	16	5,0	-	-	4	720	10
	●	82072	500	40	16	5,0	-	-	4	720	10
ZP 600/16	●	8208	600	40	16	5,0	-	-	4	857	10
	●	82082	600	40	16	5,0	-	-	4	857	10
ZP 800/16	●	8209	800	40	16	5,0	-	-	5	1166	10
	●	82092	800	40	16	5,0	-	-	5	1166	10

coating:

- yellow galvanization
- powder coated, black



ZPK

Cranked strap hinge

Application Strong and durable strap hinge with an offset, ideal for mounting gates, wickets or doors. The bent shape enables flushing the sash of the mounted element with the frame. Requires the use of a pin on which the hinge is placed.

Material S235 + yellow galvanization; S235 + powder coated black.

Mounting Wood screws $\varnothing 5$, $\varnothing 6$; screw ZAS $\varnothing 4.5$; carriage bolts M6, M8; carriage bolt ZACB M6, M8.



ZPK 800/16



ZPK 600/16



ZPK 500/16



ZPK 600/13



ZPK 500/13



ZPK 400/13



ZPK 300/13



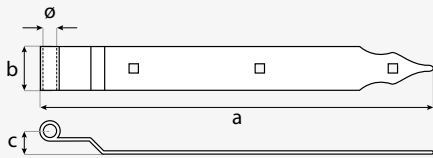
ZPK 400/10



ZPK 63/10



ZPK 300/10



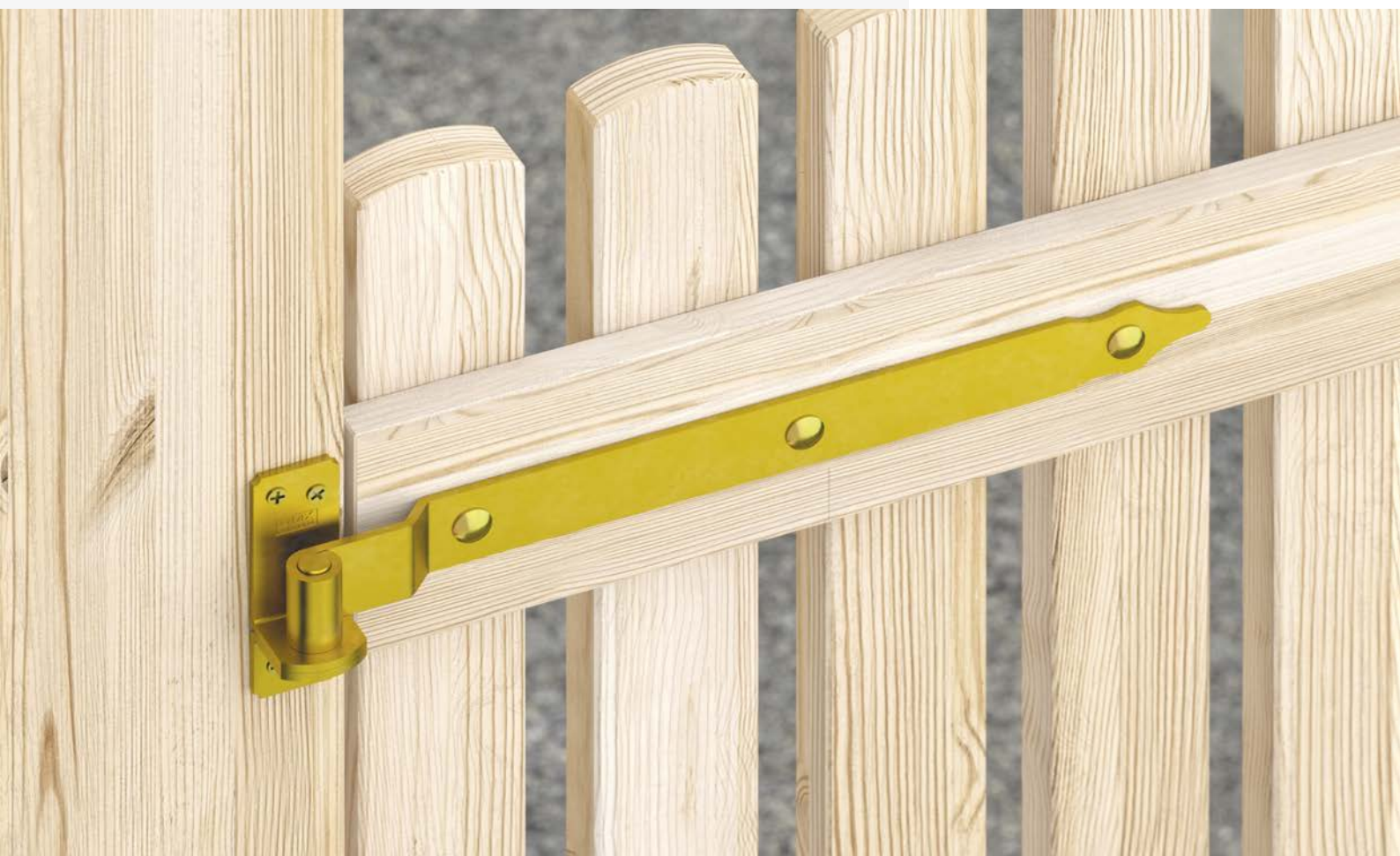
ZPK

Cranked
strap hinge

name	coat.	art no.	dimensions [mm]					holes [mm]				weight [g]	pack [pcs]
			a	b	c	ø	≠	ø5	ø7	□7	□9		
ZPK 63/10	●	8220	63	30	30,5	10	3,0	3	-	-	-	81	10
	●	82202	63	30	30,5	10	3,0	3	-	-	-	81	10
ZPK 300/10	●	8221	300	30	19	10	3,0	-	2	1	-	223	10
	●	82212	300	30	19	10	3,0	-	2	1	-	223	10
ZPK 400/10	●	8222	400	30	19	10	3,0	-	2	1	-	289	10
	●	82222	400	30	19	10	3,0	-	2	1	-	289	10
ZPK 300/13	●	8223	300	35	21,5	13	4,0	-	-	-	3	327	10
	●	82232	300	35	21,5	13	4,0	-	-	-	3	327	10
ZPK 400/13	●	8224	400	35	21,5	13	4,0	-	-	-	3	452	10
	●	82242	400	35	21,5	13	4,0	-	-	-	3	452	10
ZPK 500/13	●	8225	500	35	21,5	13	4,0	-	-	-	4	561	10
	●	82252	500	35	21,5	13	4,0	-	-	-	4	561	10
ZPK 600/13	●	8226	600	35	21,5	13	4,0	-	-	-	4	654	10
	●	82262	600	35	21,5	13	4,0	-	-	-	4	654	10
ZPK 500/16	●	8227	500	40	23	16	5,0	-	-	-	4	720	10
	●	82272	500	40	23	16	5,0	-	-	-	4	720	10
ZPK 600/16	●	8228	600	40	23	16	5,0	-	-	-	4	857	10
	●	82282	600	40	23	16	5,0	-	-	-	4	857	10
ZPK 800/16	●	8229	800	40	23	16	5,0	-	-	-	5	1166	10
	●	82292	800	40	23	16	5,0	-	-	-	5	1166	10

coating:

- yellow galvanization
- powder coated, black



C

Hinge pin



Application

Strong and durable hinge pin. Intended for use with various types of hinges adapted to be put on it.

Material

S235 + yellow galvanization; DUPLEX: S235 + Z275 powder coated black.

Mounting

Wood screws $\varnothing 5$, $\varnothing 6$; screw ZAS $\varnothing 4.5$.



C 16/25



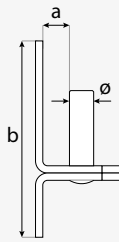
C 16/11



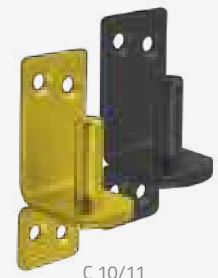
C 13/25



C 13/11



C 10/25



C 10/11



name	coat.	art no.	dimensions [mm]				holes [mm]		weight [g]	pack [pcs]
			a	b	\varnothing	\neq	$\varnothing 5$	$\varnothing 6$		
C 10/11	●	8301	11	81	10	3,0	4	-	113	10
	■	83012	11	81	10	3,0	4	-	113	10
C 10/25	●	8302	25	86	10	3,0	4	-	137	10
	■	83022	25	86	10	3,0	4	-	137	10
C 13/11	●	8303	11	104	13	4,0	-	4	204	10
	■	83032	11	104	13	4,0	-	4	204	10
C 13/25	●	8304	25	103	13	4,0	-	4	235	10
	■	83042	25	103	13	4,0	-	4	235	10
C 16/11	●	8305	11	120	16	4,0	-	4	280	10
	■	83052	11	120	16	4,0	-	4	280	10
C 16/25	●	8306	25	130	16	4,0	-	4	318	10
	■	83062	25	130	16	4,0	-	4	318	10

coating:

- yellow galvanization
- DUPLEX: S235 + Z275 powder coated, black

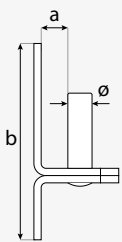
Application Strong and durable hinge pin with a decorative rustic finish giving the structure an elegant look. Intended for use with various types of hinges adapted to be put on.

Material S235 + yellow galvanization; DUPLEX: S235 + Z275 powder coated black.

Mounting Wood screws $\phi 5$; screw ZAS $\phi 4.5$.

UCO

Decorative hinge pin



name	coat.	art no.	dimensions [mm]				holes [mm]		weight [g]	pack [pcs]
			a	b	ϕ	#	$\phi 5$			
UCO 10/11	●	83101	11	120	10	3,0	4	113	10	
	■	831012	11	120	10	3,0	4	113	10	
UCO 13/11	●	83102	11	120	13	4,0	4	163	10	
	■	831022	11	120	13	4,0	4	163	10	

coating:

- yellow galvanization
- DUPLEX: S235 + Z275 powder coated, black



CM

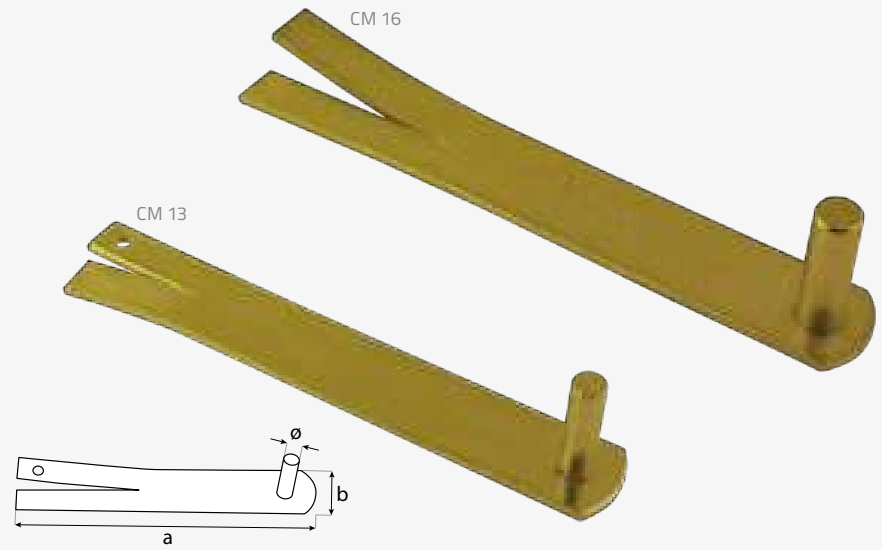
Concrete-in
hinge pin



Application Hinge pin to be installed in concrete. Provides an extremely durable connection. Intended for use with various types of hinges adapted to be put on it.

Material S235 + yellow galvanization.

Mounting Wall mount.



name	coat.	art no.	dimensions [mm]				weight [g]	pack [pcs]
			a	b	ø	≠		
CM 13	●	8343	255	40	13	5,0	386	10
CM 16	●	8345	255	44	16	6,0	477	10

coating:
● yellow galvanization

CW

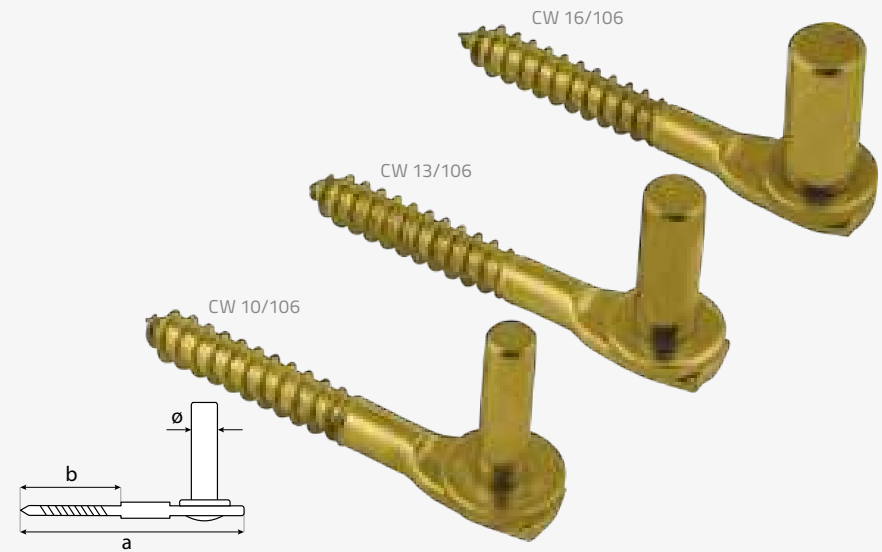
Screw-in
hinge pin



Application Hinge pin for screwing into wooden structures. It has a discreet appearance and minimizes the visibility of the fixing. Intended for use with various types of hinges adapted to be put on.

Material DC01 + yellow galvanization.

Mounting Installation after drilling a hole.



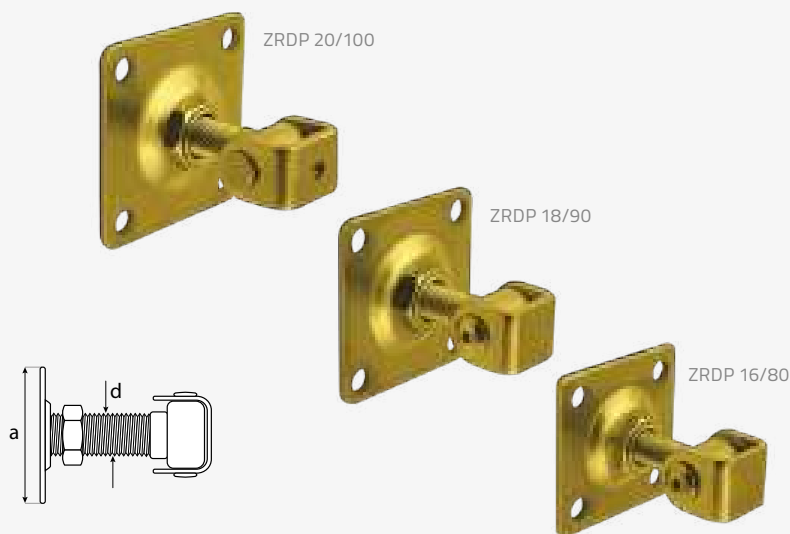
name	coat.	art no.	dimensions [mm]			weight [g]	pack [pcs]
			a	b	ø		
CW 10/106	●	8309	106	48	10	112	10
CW 13/106	●	8308	106	48	13	130	10
CW 16/106	●	8307	106	48	16	145	10

coating:
● yellow galvanization

Application Adjustable screw-on hinge, perfect for constructing metal gates and wickets. Allows you to adjust the distance from the screwed surface.

Material DC01 + yellow galvanization.

Mounting M10 metric screws; ring anchor PBK M10; concrete screw PBW 10.5.



name	coat.	art no.	dimensions [mm]			holes [mm]		weight [g]	pack [pcs]
			a	d	≠	ø10,5	ø11,5		
ZRDP 16/80	●	8421	80	M16	4,0	4	-	479	6
ZRDP 18/90	●	8424	90	M18	4,0	-	4	577	6
ZRDP 20/100	●	8423	100	M20	4,0	-	4	733	6

coating:
● yellow galvanization

ZRDP

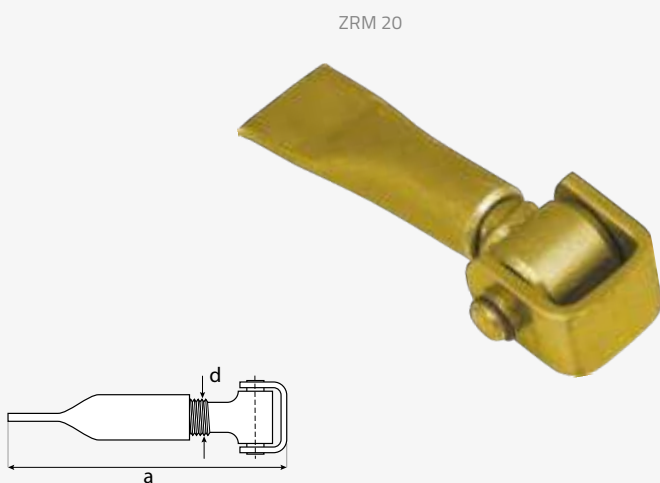
Adjustable hinge
with plate



Application Hinge designed for mounting metal gates or wickets. The head of the article should be welded in and the fixing part should be embedded in the wall. A threaded rod allows you to adjust the distance between the joined surfaces.

Material DC01 + yellow galvanization.

Mounting One end to be built in, the other to be welded in.



name	coat.	art no.	dimensions [mm]		weight [g]	pack [pcs]
			a	d		
ZRM 20	●	8425	160	M20	527	2

coating:
● yellow galvanization

ZRM

Concrete-in
adjustable hinge



ZRS

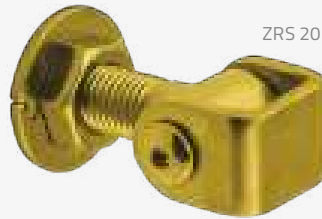
Weldable,
adjustable hinge



Application Hinge designed for mounting metal gates or wickets. The detail should be welded on both sides. A threaded rod allows you to adjust the distance between the joined planes.

Material DC01 + yellow galvanization.

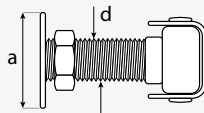
Mounting Hinge for double-sided welding.



ZRS 20

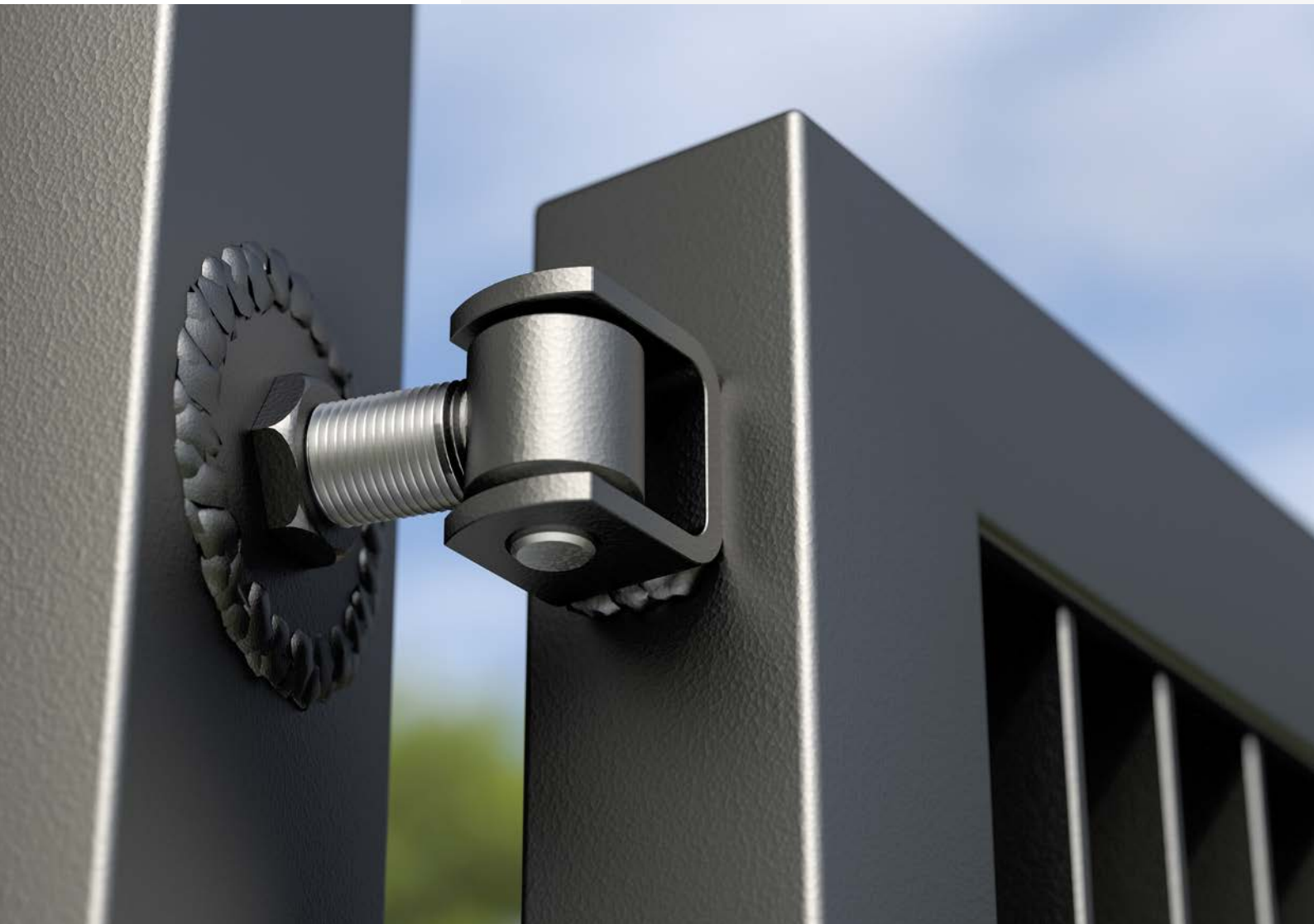


ZRS 16



name	coat.	art no.	dimensions [mm]			weight [g]	pack [pcs]
			a	d	≠		
ZRS 16	●	8420	50	M16	4,0	354	6
ZRS 20	●	8422	50	M20	4,0	480	6

coating:
● yellow galvanization

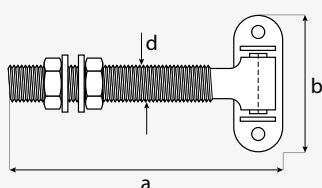
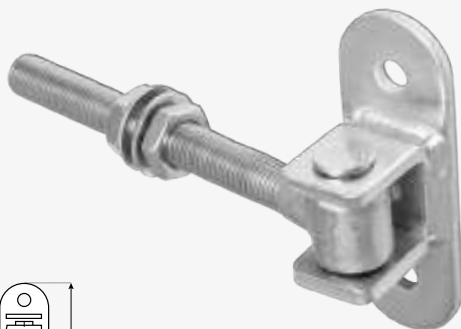


Application Hinge designed for mounting metal gates or wickets. Fixed by screwing the head to the wood on one side, drilling a hole on the other and locking the threaded rod with a nut. A threaded rod allows you to adjust the distance between the joined surfaces.

Material DC01 + silver galvanization.

Mounting Mounting of the head plate with M10 metric screws, the threaded part fastened through the profile.

ZRS 16/130



name	coat.	art no.	dimensions [mm]			holes [mm]	weight [g]	pack [pcs]
			a	b	d	ø10		
ZRW 16/130	●	8427	115	40	M16	2	643	6

coating:

- silver galvanization

ZRW 16

Multi adjustable hinge

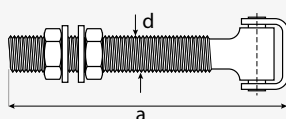


Application Hinge designed for mounting metal gates or wickets. Fixed by welding the head on one side, drilling a hole on the other side and locking the threaded rod with a nut. A threaded rod allows you to adjust the distance between the joined surfaces.

Material DC01 + yellow galvanization.

Mounting Welding head, threaded part mounted through the profile.

ZRW 20



name	coat.	art no.	dimensions [mm]			weight [g]	pack [pcs]
			a	d	≠		
ZRW 20	●	8426	170	M20	5,0	632	6

coating:

- yellow galvanization

ZRW 20

Multi adjustable hinge



ZTK

Weldable hinge with the ball



Application Two-piece weldable hinge with a ball. Designed for assembly by welding metal gates, wickets or flaps.
Material S235 + oil film.
Mounting Hinge for double-sided welding.



name	coat.	art no.	dimensions [mm]		weight [g]	pack [pcs]
			a	b		
ZTK 16	●	8402	16	65	100	10
ZTK 18	●	8403	18	70	136	10
ZTK 20	●	8404	20	80	191	10
ZTK 22	●	8405	22	90	261	10
ZTK 25	●	8406	25	100	377	10
ZTK 30	●	8408	30	110	595	10
ZTK 35	●	8409	35	130	960	10

coating:
 ● oil film

ZASK

Weldable hinge



Application Three-element weldable hinge. Designed for assembly by welding metal gates, wickets or flaps.
Material S235 + oil film.
Mounting Hinge for double-sided welding.



name	coat.	art no.	dimensions [mm]				weight [g]	pack [pcs]
			a	b	c	d		
ZASK 20	●	79491	20	84	28	–	200	1
ZASK 20/17	●	79492	20	84	28	17	222	1
ZASK 20/31	●	79493	20	84	28	31	269	1

coating:
 ● oil film

Application Detachable hinge designed for assembly by welding metal gates, wickets or flaps. Designed specifically to allow easy disassembly of the structure.

Material DC01 + oil film.

Mounting Hinge for double-sided welding.



name	coat.	art no.	dimensions [mm]			weight [g]	pack [pcs]
			a	b	≠		
ZMP 60	●	805801	30	60	2,5	87	10
ZMP 70	●	805802	30	70	3,0	110	10
ZMP 110	●	805803	30	110	3,5	123	10

coating:
● oil film

ZMP

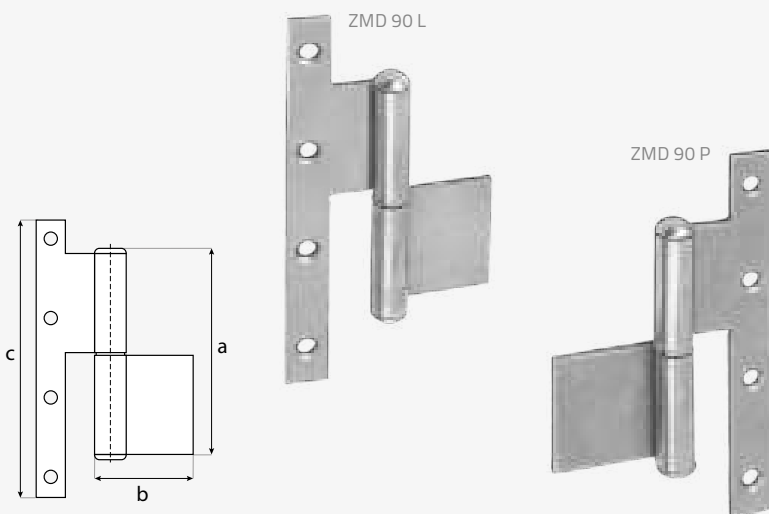
Weldable lift-off hinge



Application Detachable hinge designed for mounting gates, wickets or flaps by welding on one side (steel) and screwing on the other (wood). Designed specifically to allow easy disassembly of the structure.

Material DC01 + oil film.

Mounting Hinge for welding, it is possible to screw on one side with screws $\varnothing 5.5$, metric screws $\varnothing 5$.



name	coat.	art no.	dimensions [mm]				holes [mm]	weight [g]	pack [pcs]
			a	b	c	≠	$\varnothing 6$		
ZMD 90 L	●	805811	90	45	140	2,8	4	170	10
ZMD 90 P	●	805812	90	45	140	2,8	4	170	10

coating:
● oil film

ZMD

Lift-off hinge



ZRB

Weldable,
adjustable hinge

Application Hinge designed for mounting metal gates or wickets. Fixed by welding the head on one side and a metal plate on the other. The threaded rod allows you to adjust the gap in both planes.

Material S235 + oil film.

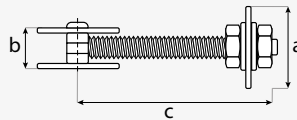
Mounting Hinge for double-sided welding.



ZRB 16/120



ZRB 12/120



name	coat.	art no.	dimensions [mm]				weight [g]	pack [pcs]
			a	b	c	≠		
ZRB 12/100	●	8428	45	37	100	6,0	510	10
ZRB 16/120	●	8429	45	43	120	8,0	1004	10

coating:
● oil film

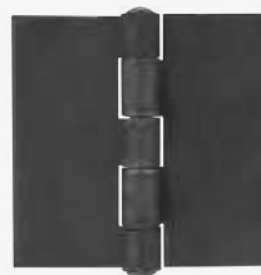
ZMC

Construction hinge

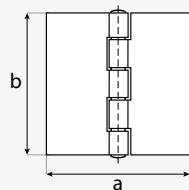
Application Hinge designed for welding, e.g. to heavy workshop doors. Due to the characteristics of the application, it is protected with an oil filter that prevents steel from rusting.

Material S235 + oil film.

Mounting Hinge for double-sided welding.



ZMC 150/150



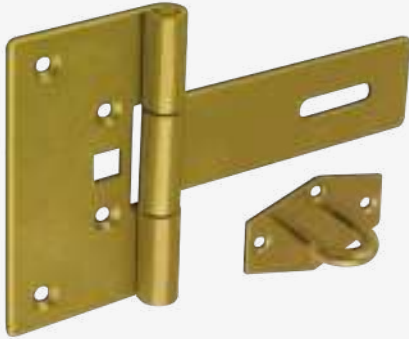
name	coat.	art no.	dimensions [mm]			weight [g]	pack [pcs]
			a	d	≠		
ZMC 150/150	●	805821	150	150	4,5	830	10

coating:
● oil film

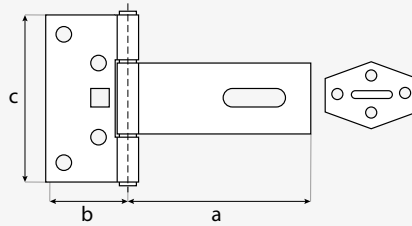
Application Hinge is made of a narrow rectangular part, an elongated leaf with a hole and a hasp that allows the use of a padlock. Intended for mounting and securing gates, wickets, doors or chests.

Material DC01 + yellow galvanization.

Mounting Wood screws $\phi 4$; carriage bolt M8.



ZMC 150/150



name	coat.	art no.	dimensions [mm]				holes [mm]		weight [g]	pack [pcs]
			a	b	c	≠	$\phi 4$	$\square 9$		
ZZBR 150	●	8711	100	50	100	2,5	8	1	290	10

coating:

● yellow galvanization

ZZBR

Chest hinge with lock



Application A universal strap hinge with an elongated shape and a durable braid. Designed for installation and protection of gates, wickets, doors or chests. Equipped with a hole and a hasp allowing the use of a padlock.

Material DC01 + yellow galvanization.

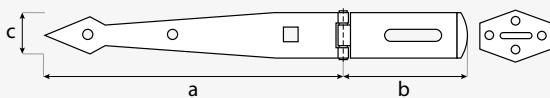
Mounting Wood screws $\phi 6$; carriage bolt M6.



ZZB 250



ZZB 200



name	coat.	art no.	dimensions [mm]				holes [mm]		weight [g]	pack [pcs]
			a	b	c	≠	$\phi 6$	$\square 7$		
ZZB 200	●	8731	200	95	35	2,5	6	1	208	10
ZZB 250	●	8732	250	95	35	2,5	6	1	241	10

coating:

● yellow galvanization

ZZB

Strap gate hinge with lock



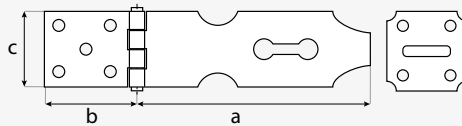
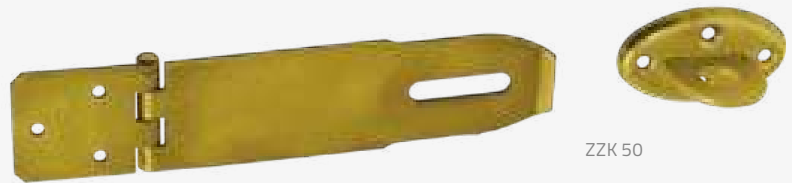
ZZK

Hinge with lock

Application A universal belt hinge with an elongated shape and a durable braid. Designed for installation and protection of gates, wickets, doors or chests. Equipped with a hole and a hasp allowing the use of a padlock.

Material DC01 + yellow galvanization.

Mounting Wood screws $\phi 4$.



name	coat.	art no.	dimensions [mm]				holes [mm]	weight [g]	pack [pcs]
			a	b	c	≠			
ZZK 50	●	8751	130	50	45	2,0	7	166	10
ZZK 75	●	8753	175	75	55	2,0	9	346	10

coating:
● yellow galvanization



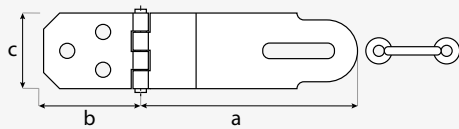
Application Universal hinge with a durable braid. The bent part of the detail allows you to flush the construction elements. Designed for installation and protection of gates, wickets, doors or chests. Equipped with a hole and a hasp allowing the use of a padlock.

Material DC01 + yellow galvanization.

Mounting Wood screws $\phi 4$.

ZZP

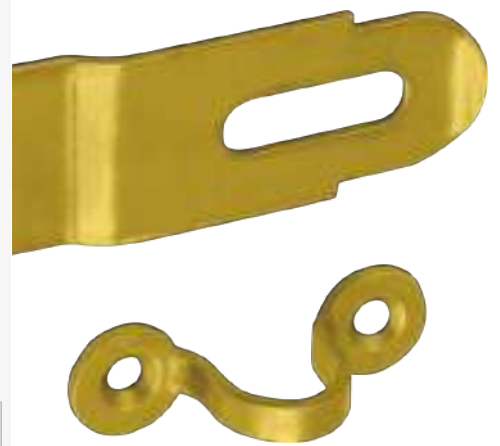
Hinge with lock



name	coat.	art no.	dimensions [mm]				holes [mm]	weight [g]	pack [pcs]
			a	b	c	#	$\phi 7$		
ZZP 25	●	8721	75	35	25	1,5	5	42	10
ZZP 50	●	8722	90	50	45	1,5	7	144	10
ZZP 80	●	8723	90	80	45	1,5	8	159	10

coating:

● yellow galvanization



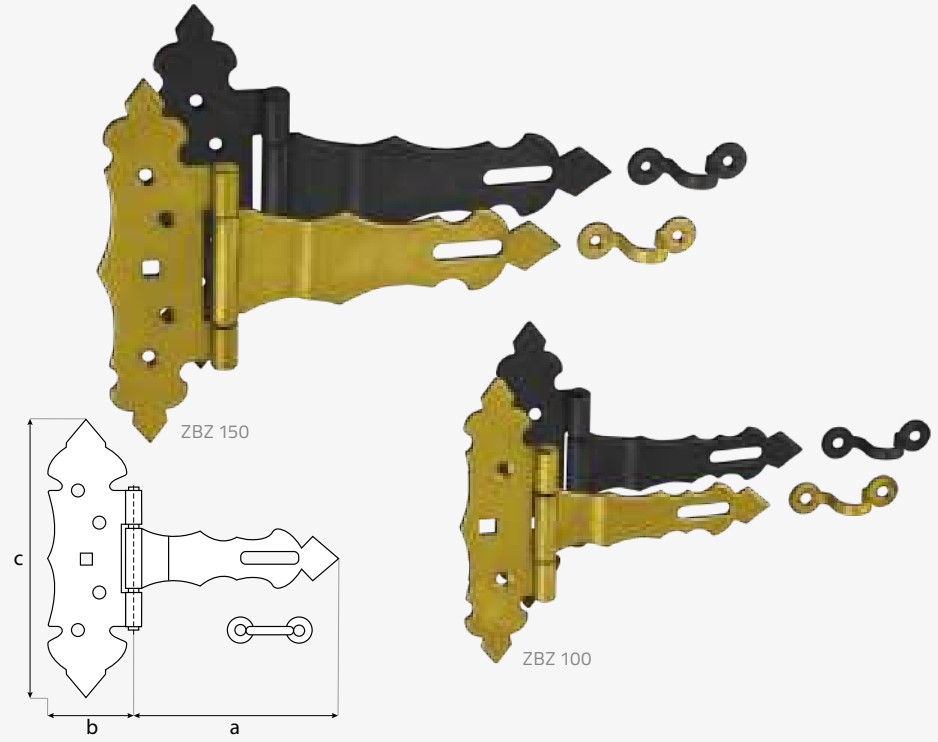
ZBZ

Decorative gate hinge with lock

Application Decorative triangular hinge designed for mounting and securing gates, wickets, doors or shutters. The rustic finish gives it an elegant look and allows you to create interesting arrangements. Equipped with a hole and a hasp allowing the use of a padlock.

Material DC01 + yellow galvanization; DUPLEX: DC01 + Z275 powder coated black.

Mounting Wood screws $\phi 5$; screw ZAS $\phi 4.5$; carriage bolt ZACB M8.



name	coat.	art no.	dimensions [mm]				holes [mm]		weight [g]	pack [pcs]
			a	b	c	\neq	$\phi 5$	$\square 7$		
ZBZ 100	●	810816	100	35	130	2,0	4	1	177	10
	■	810812	100	35	130	2,0	4	1	177	10
ZBZ 150	●	810826	150	50	170	2,5	6	1	295	10
	■	810822	150	50	170	2,5	6	1	295	10

coating:
 ● yellow galvanization
 ■ DUPLEX: DC01 + Z275 powder coated, black



Application Decorative longitudinal hinge designed for mounting and securing gates, wickets, doors or shutters. The rustic finish gives it an elegant look and allows you to create interesting arrangements. Equipped with a hole and a hasp allowing the use of a padlock.

Material DC01 + yellow galvanization; DUPLEX: DC01 + Z275 powder coated black.

Mounting Wood screws $\phi 5$; screw ZAS $\phi 4.5$.

ZOZ

Decorative hinge
with lock



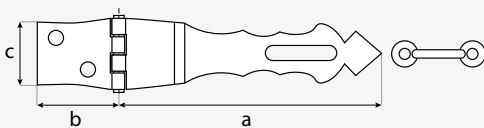
ZOZ 125



ZOZ 100



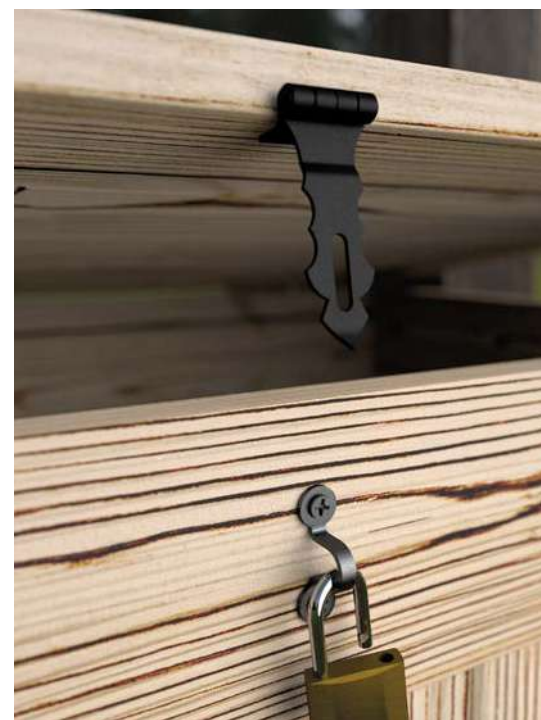
ZOZ 75



name	coat.	art no.	dimensions [mm]				holes [mm]	weight [g]	pack [pcs]
			a	b	c	≠	$\phi 5$		
ZOZ 75	●	7945616	75	26	30	2,0	4	52	10
	●	7945612	75	26	30	2,0	4	52	10
ZOZ 100	●	7945626	100	28	30	2,0	4	59	10
	●	7945622	100	28	30	2,0	4	59	10
ZOZ 125	●	7945636	125	40	30	2,0	4	67	10
	●	7945632	125	40	30	2,0	4	67	10

coating:

- yellow galvanization
- DUPLEX: DC01 + Z275 powder coated, black

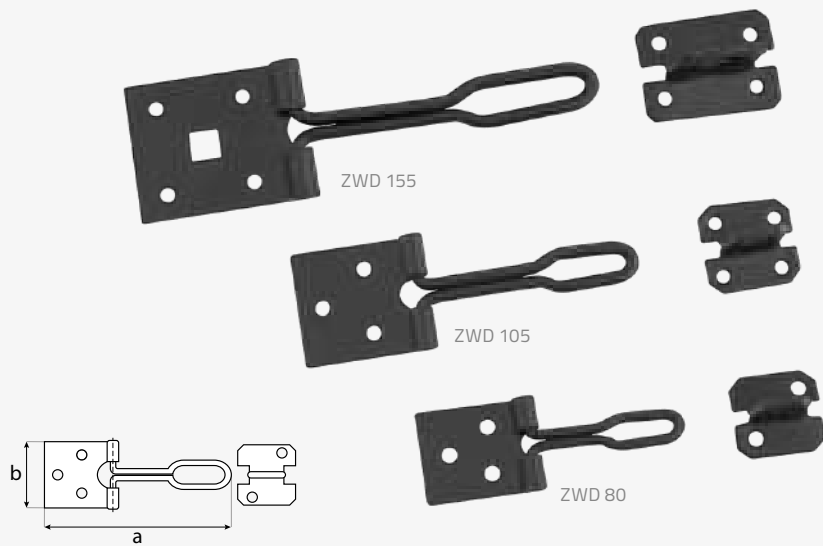


ZWD

Hasp with staple made of rolled wire



Application Light hasp in black color used to install a padlock to a door or gate. Effectively protects against opening.
Material DC01 + powder coated black.
Mounting Wood screws $\varnothing 3$, $\varnothing 4$.



name	coat.	art no.	dimensions [mm]			holes [mm]			weight [g]	pack [pcs]
			a	b	≠	$\varnothing 3$	$\varnothing 4$	$\square 9$		
ZWD 80	●	87401	80	28	1,4	5	–	–	28	20
ZWD 105	●	87402	105	35	1,4	–	7	–	41	20
ZWD 155	●	87403	155	45	1,4	–	8	1	79	20

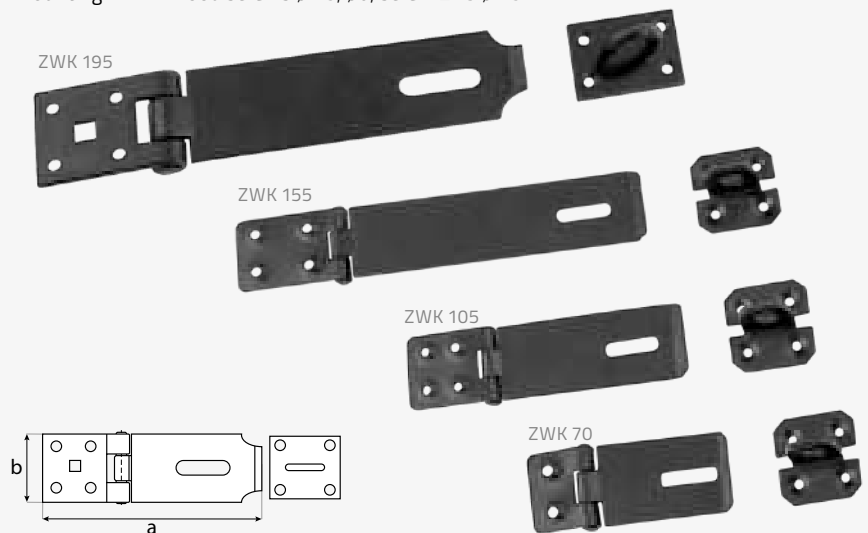
coating:
 ● powder coated, black

ZWK

Security closing hasp



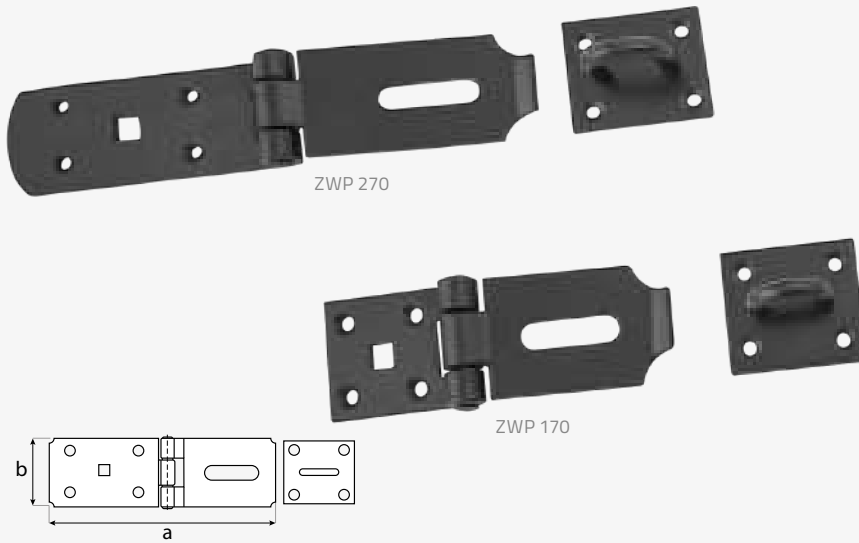
Application Black closing hasp for mounting a padlock to a door or gate. Effectively protects against opening.
Material DC01 + powder coated black.
Mounting Wood screws $\varnothing 4.5$, $\varnothing 6$; screw ZAS $\varnothing 4.5$.



name	coat.	art no.	dimensions [mm]			holes [mm]			weight [g]	pack [pcs]
			a	b	≠	$\varnothing 4.5$	$\varnothing 6$	$\square 11$		
ZWK 70	●	87411	70	40	1,8	6	–	–	78	10
ZWK 105	●	87412	105	40	1,8	8	–	–	100	10
ZWK 155	●	87413	155	40	1,8	8	–	–	138	10
ZWK 195	●	87414	195	55	4,0	–	8	1	630	10

coating:
 ● powder coated, black

Application Black closing hasp for attaching a padlock to a door or gate. Effectively protects against opening.
Material DC01 + powder coated black.
Mounting Wood screws $\varnothing 6$; carriage bolt M10.



name	coat.	art no.	dimensions [mm]			holes [mm]			weight [g]	pack [pcs]
			a	b	≠	$\varnothing 6$	$\square 11$	$\square 12$		
ZWP 170	●	87421	167	55	4,0	8	1	-	465	10
ZWP 270	●	87422	263	55	4,0	8	-	1	610	10

coating:
 ● powder coated, black

ZWP

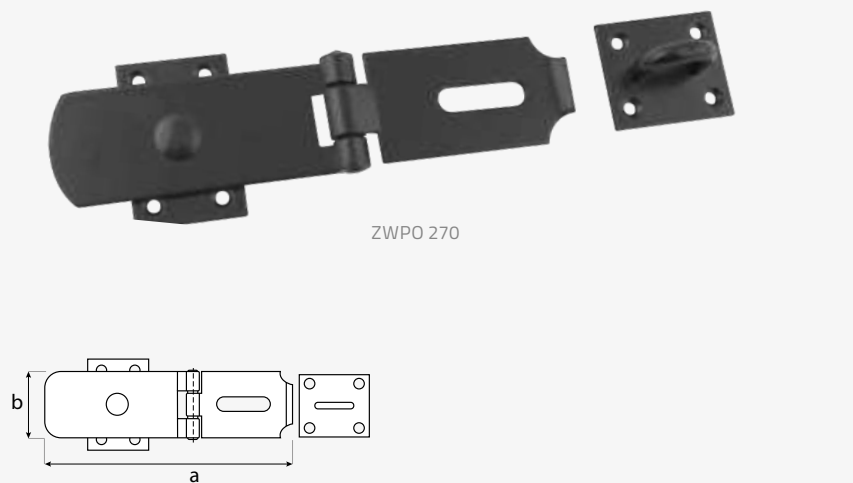
Security closing hasp



ZWPO

Security closing hasp

Application Rotary lock in black color used to install a padlock to a door or gate. Rotating the element hides the applied fasteners. Effectively protects against opening.
Material DC01 + powder coated black.
Mounting Wood screws $\varnothing 6$.



name	coat.	art no.	dimensions [mm]			holes [mm]	weight [g]	pack [pcs]
			a	b	≠	$\varnothing 6$		
ZWPO 270	●	87431	263	55	4,0	8	610	10

coating:
 ● powder coated, black



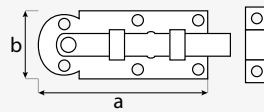
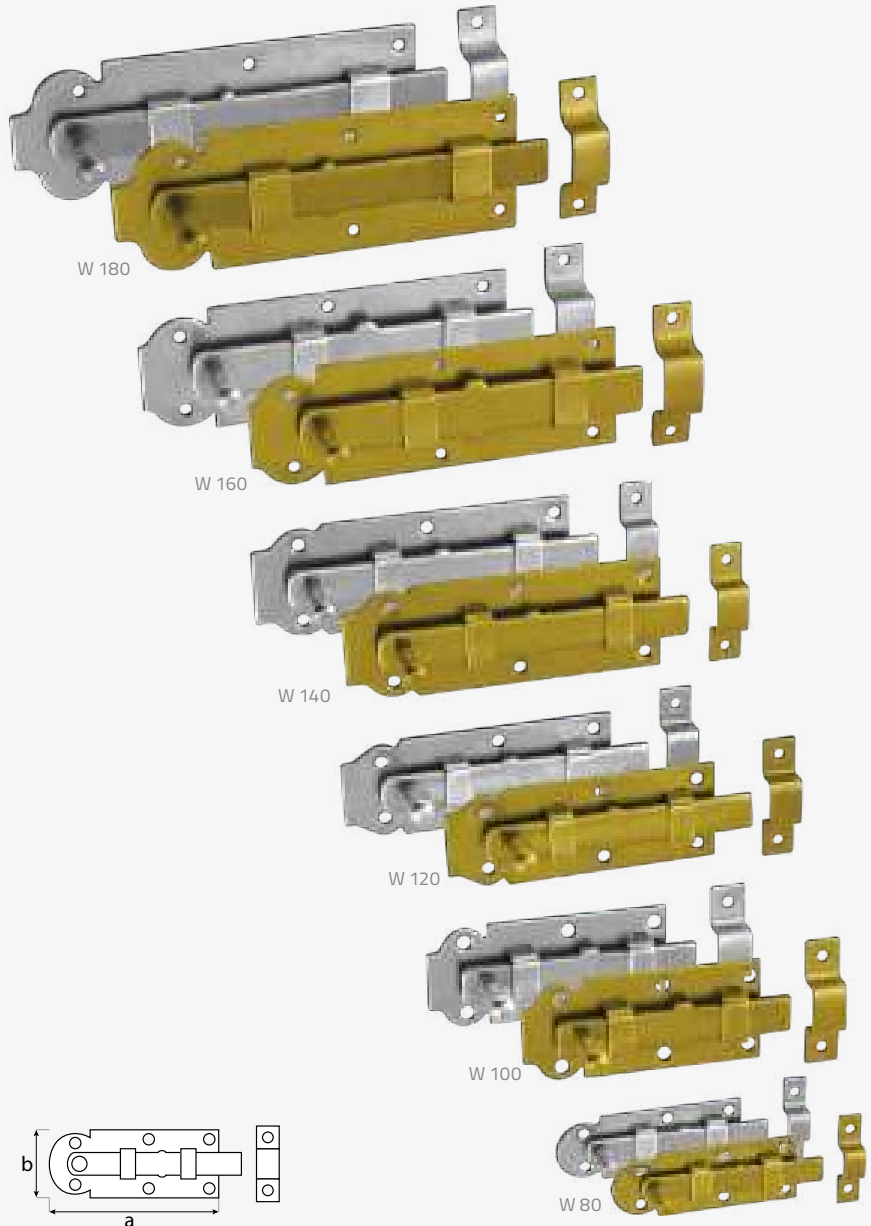
W

Door bolt

Application Universal light latch with a flat bolt designed for locking shutters, doors or chests. It prevents automatic opening or movement of doors and flaps.

Material DC01 + yellow galvanization; DC01 + silver galvanization.

Mounting Wood screws $\phi 4$, $\phi 5$.



name	coat.	art no.	dimensions [mm]			holes [mm]		weight [g]	pack [pcs]
			a	b	≠	$\phi 4$	$\phi 5$		
W 80	●	8501	80	30	2,5	8	-	57	10
	●	85014	80	30	2,5	8	-	57	10
W 100	●	8502	100	45	6,0	-	8	141	10
	●	85024	100	45	6,0	-	8	141	10
W 120	●	8503	120	45	6,0	-	8	170	10
	●	85034	120	45	6,0	-	8	170	10
W 140	●	8504	140	55	5,0	-	8	217	10
	●	85044	140	55	5,0	-	8	217	10
W 160	●	8505	160	55	5,0	-	8	283	10
	●	85054	160	55	5,0	-	8	283	10
W 180	●	8506	180	65	5,0	-	8	324	10
	●	85064	180	65	5,0	-	8	324	10

coating:
 ● yellow galvanization
 ● silver galvanization

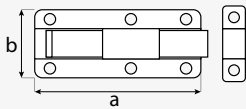
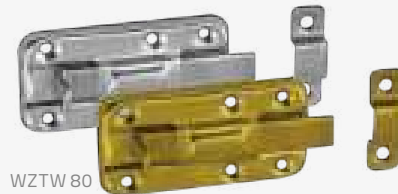
Application Universal light latch with a flat bolt designed for locking shutters, doors or chests. It prevents automatic opening or movement of doors and flaps.

Material DC01 + yellow galvanization; DC01 + silver galvanization.

Mounting Wood screws $\phi 4$, $\phi 5$.

WZTW

Box bolt



name	coat.	art no.	dimensions [mm]			holes [mm]		weight [g]	pack [pcs]
			a	b	≠	$\phi 4$	$\phi 5$		
WZTW 80*	●	8551	80	40	1,0	8	–	61	20
	●	85514	80	40	1,0	8	–	61	20
WZTW 100	●	8552	100	40	1,0	–	8	90	20
	●	85524	100	40	1,0	–	8	90	20
WZTW 120	●	8553	120	45	1,0	–	8	130	20
	●	85534	120	45	1,0	–	8	130	20

* WZTW 80 does not have a padlock hole

coating:

- yellow galvanization
- silver galvanization



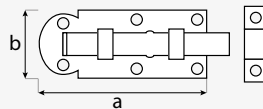
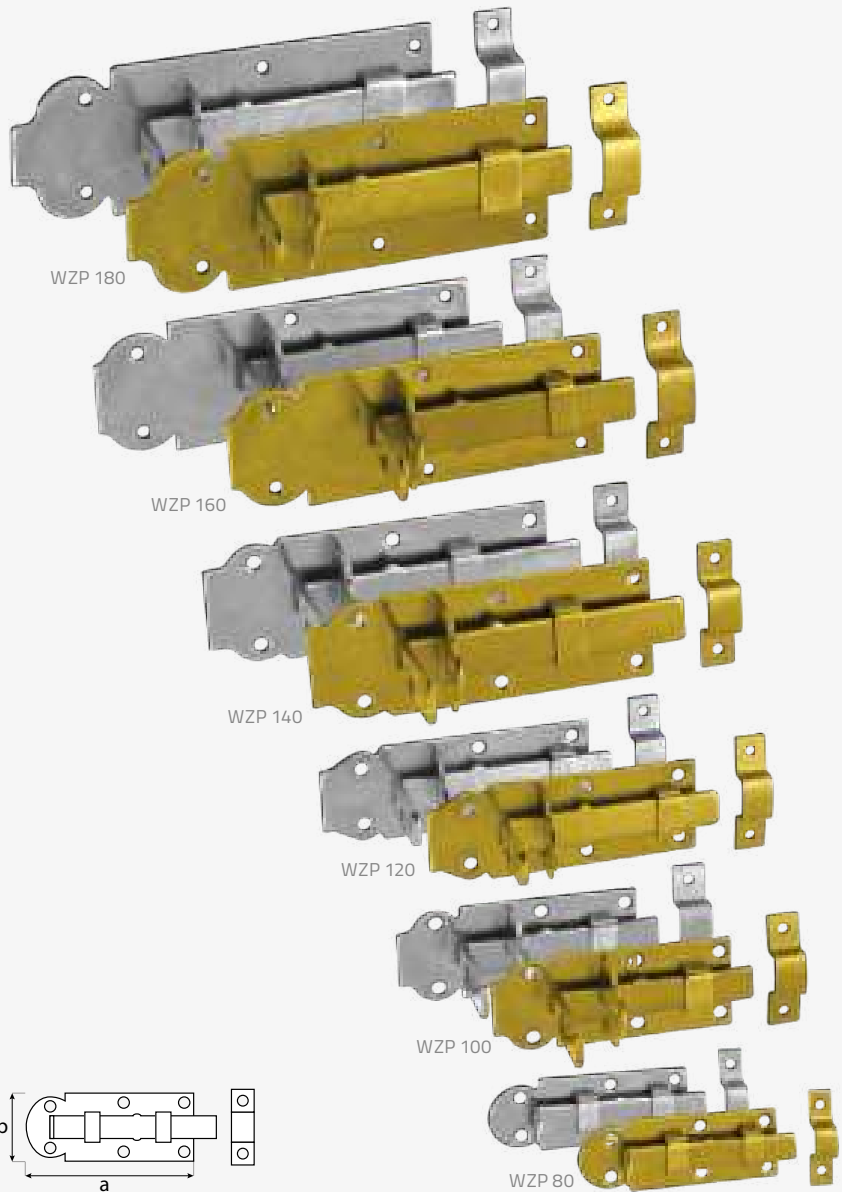
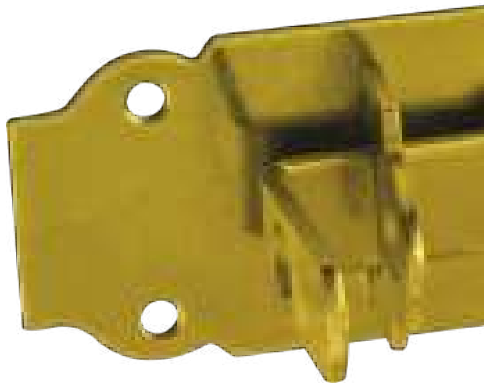
WZP

Closing door bolt

Application Lightweight latch with a flat bolt designed for locking and closing shutters, doors or chests. It has a hole for attaching a padlock. It prevents automatic opening or movement of doors and hatches and protects against third parties.

Material DC01 + yellow galvanization; DC01 + silver galvanization.

Mounting Wood screws $\varnothing 4$, $\varnothing 5$.



name	coat.	art no.	dimensions [mm]			holes [mm]		weight [g]	pack [pcs]
			a	b	≠	$\varnothing 4$	$\varnothing 5$		
WZP 80*	●	8531	80	30	3,0	8	–	52	10
	●	85314	80	30	3,0	8	–	52	10
WZP 100	●	8532	100	45	5,0	–	8	140	10
	●	85324	100	45	5,0	–	8	140	10
WZP 120	●	8533	120	45	5,0	–	8	157	10
	●	85334	120	45	5,0	–	8	157	10
WZP 140	●	8534	140	55	5,0	–	8	209	10
	●	85344	140	55	5,0	–	8	209	10
WZP 160	●	8535	160	55	6,0	–	8	269	10
	●	85354	160	55	6,0	–	8	269	10
WZP 180	●	8536	180	65	6,0	–	8	291	10
	●	85364	180	65	6,0	–	8	291	10

* WZP 80 does not have a padlock hole

coating:

- yellow galvanization
- silver galvanization

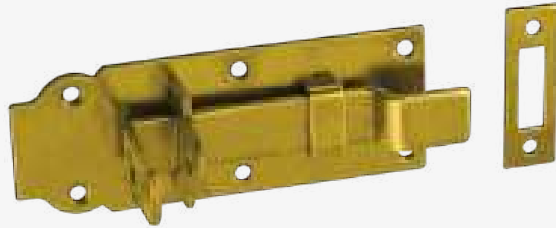
Application Lightweight latch with a flat bolt designed for locking and closing shutters, doors or chests. It has a hole for attaching a padlock. It prevents automatic opening or movement of doors and hatches and protects against third parties.

Material DC01 + yellow galvanization.

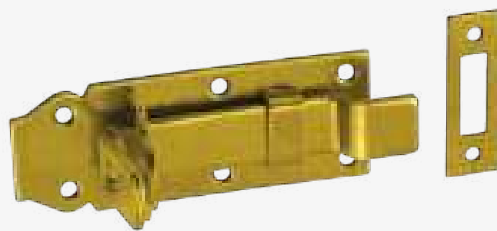
Mounting Wood screws $\phi 5$.

WZW

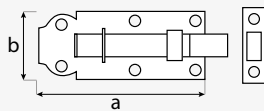
Closing door bolt



WZW 140



WZW 120



name	coat.	art no.	dimensions [mm]			holes [mm]	weight [g]	pack [pcs]
			a	b	\neq	$\phi 5$		
WZW 120	●	8543	120	45	5,0	8	168	10
WZW 140	●	8544	140	55	5,0	8	237	10

coating:

- yellow galvanization



WRO

Decorative tower bolt



Application

Lightweight latch with a round bolt designed for locking shutters, doors or chests. It prevents automatic opening or movement of doors and flaps.

Material

DC01 + yellow galvanization; DC01 + silver galvanization.

Mounting

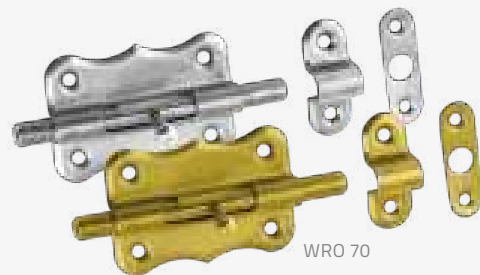
Wood screws $\phi 4$, $\phi 5$.



WRO 120



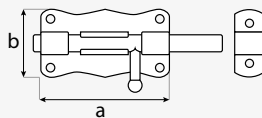
WRO 100



WRO 70



WRO 50



name	coat.	art no.	dimensions [mm]			holes [mm]		weight [g]	pack [pcs]
			a	b	≠	ø4	ø5		
WRO 50	●	8561	50	50	1,0	6	–	82	10
	●	85614	50	50	1,0	6	–	82	10
WRO 70	●	8562	70	50	1,0	–	6	110	10
	●	85624	70	50	1,0	–	6	110	10
WRO 100	●	8563	100	65	1,5	–	10	310	10
	●	85634	100	65	1,5	–	10	310	10
WRO 120	●	8564	120	68	1,5	–	10	397	10
	●	85644	120	68	1,5	–	10	397	10

coating:

- yellow galvanization
- silver galvanization

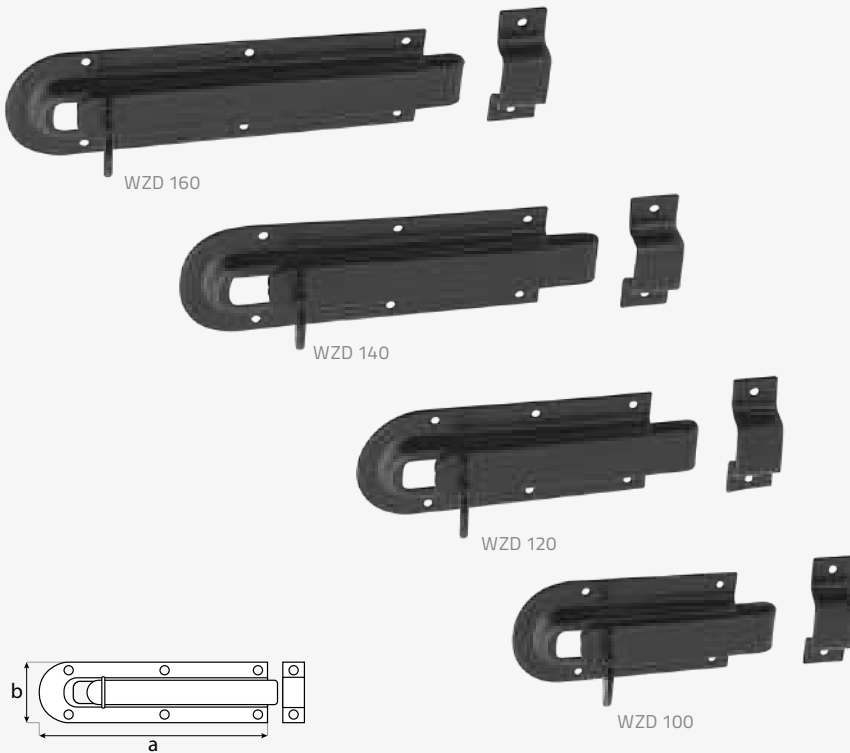
Application Latch with a flat bolt designed in a minimalist style, designed to lock shutters, doors and chests. It prevents automatic opening or movement of doors and flaps.

Material DC01 + powder coated black.

Mounting Wood screws $\varnothing 3$.

WZD

Latch with a flat bolt



name	coat.	art no.	dimensions [mm]			holes [mm]	weight [g]	pack [pcs]
			a	b	≠	$\varnothing 3$		
WZD 100	●	850811	100	46	1,0	6	85	20
WZD 120	●	850812	120	46	1,0	8	102	16
WZD 140	●	850813	140	46	1,0	8	124	12
WZD 160	●	850814	160	46	1,0	8	146	12

coating:
● powder coated, black



WOS

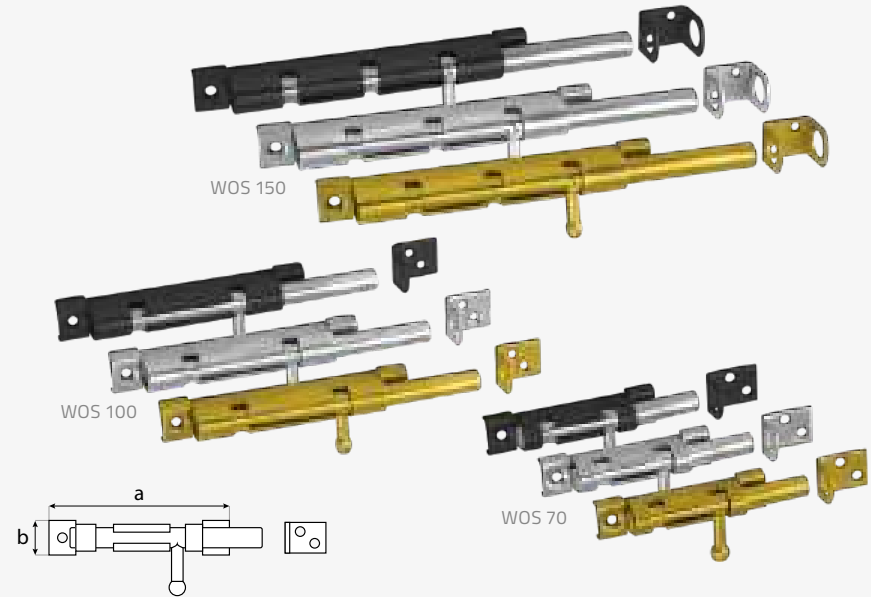
Decorative tower bolt



Application Lightweight latch with a round bolt designed for locking shutters, doors and chests. It prevents automatic opening or movement of doors and flaps. The small size ensures discreet installation of the product.

Material DC01 + yellow galvanization; DC01 + silver galvanization; DUPLEX: DC01 + Z275 powder coated black.

Mounting Wood screws $\varnothing 3$, $\varnothing 4$.



name	coat.	art no.	dimensions [mm]			holes [mm]		weight [g]	pack [pcs]
			a	b	≠	$\varnothing 3$	$\varnothing 4$		
WOS 70	●	8572	70	10	1,5	4	–	72	10
	●	85724	70	10	1,5	4	–	72	10
	■	85722	70	10	1,5	4	–	72	10
WOS 100	●	8573	100	10	1,5	4	–	101	10
	●	85734	100	10	1,5	4	–	101	10
	■	85732	100	10	1,5	4	–	101	10
WOS 150	●	8574	150	16	1,5	–	4	235	10
	●	85744	150	16	1,5	–	4	235	10
	■	85742	150	16	1,5	–	4	235	10

coating:
 ● yellow galvanization
 ● silver galvanization
 ■ DUPLEX: DC01 + Z275 powder coated, black



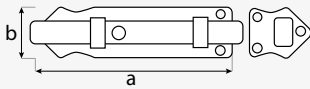
Application Latch with a flat bolt in black color with a decorative finish of the fastening elements. Designed to block shutters, doors or chests. It prevents automatic opening or movement of doors and flaps.

Material DUPLEX: DC01 + Z275 powder coated black.

Mounting Wood screws $\phi 5$; screw ZAS $\phi 4.5$.

WPS

Decorative latch
with a flat bolt



name	coat.	art no.	dimensions [mm]			holes [mm]		weight [g]	pack [pcs]
			a	b	\neq	$\phi 5$			
WPS 250	■	86562	250	41	1,5	6	317	10	
WPS 300	■	86572	300	41	1,5	6	358	10	

coating:

■ DUPLEX: DC01 + Z275 powder coated, black



WOK

Gate latch

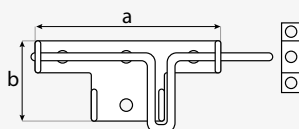
Application Latch used as a closing element in various types of wooden gates, doors or shutters. It has a hole for attaching a padlock. It prevents automatic opening or movement of doors and hatches and protects against third parties.

Material DC01 + yellow galvanization; DUPLEX: DC01 + Z275 powder coated black.

Mounting Wood screws $\varnothing 6$.



WOK 100



name	coat.	art no.	dimensions [mm]			holes [mm]	weight [g]	pack [pcs]
			a	b	≠	$\varnothing 6$		
WOK 100	●	850821	100	58	2,5	6	265	10
	■	8508212	100	58	2,5	6	265	10

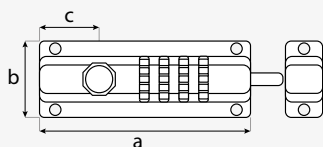
coating:
 ● yellow galvanization
 ■ DUPLEX: DC01 + Z275 powder coated, black



Application Latch used as a closing element in various types of wooden gates, doors or shutters. It has a built-in code lock that allows you to set a four-digit code yourself.

Material ZL + powder coated black.

Mounting Wood screws $\phi 4.5$.



name	coat.	art no.	dimensions [mm]			holes [mm]	weight [g]	pack [pcs]
			a	b	c	$\phi 4.5$		
WHS 1	●	883801	123	48	40	6	332	10

coating:
● powder coated, black

WHS

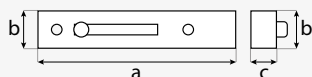
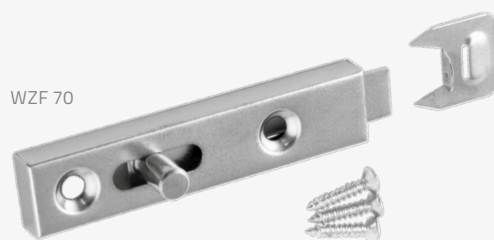
Door lock with numeric code (set)



Application Light, small-sized nickel-plated latch used as a closing element in various types of wooden gates, doors or shutters.

Material DC01 + nickel plated.

Mounting Wood screws $\phi 5$.



name	coat.	art no.	dimensions [mm]			holes [mm]	weight [g]	pack [pcs]
			a	b	c	$\phi 5$		
WZF 70	■	850801	70	15	9	2	16	10

coating:
■ nickel plated

WZF

Furniture latch (set)



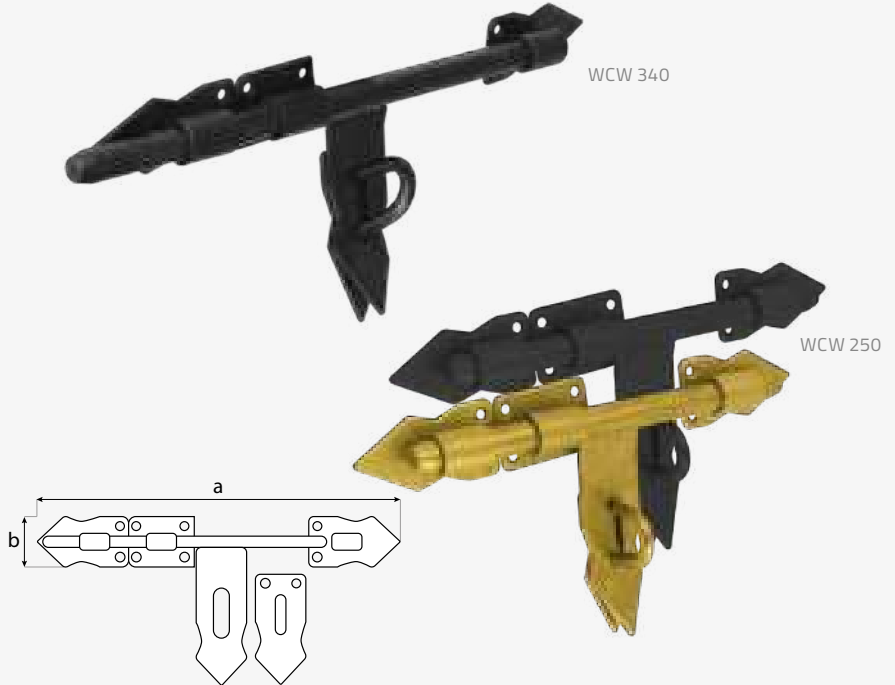
WCW

Heavy decorative latch

Application Heavy duty gate latch with a decorative finish. Used as a closing element for large gates or doors. Perfect for shed, storage or barn doors. Equipped with a hole and a hasp allowing the use of a padlock.

Material S235 + yellow galvanization; DUPLEX: S235 + Z275 powder coated black.

Mounting Wood screws $\phi 5$; screw ZAS $\phi 4.5$.



name	coat.	art no.	dimensions [mm]			holes [mm]		weight [g]	pack [pcs]
			a	b	\neq	$\phi 5$			
WCW 250	●	8658	250	40	2,0	13	736	5	
	■	86582	250	40	2,0	13	736	5	
WCW 340	■	86592	340	40	2,0	13	878	5	

coating:
 ● yellow galvanization
 ■ DUPLEX: S235 + Z275 powder coated, black



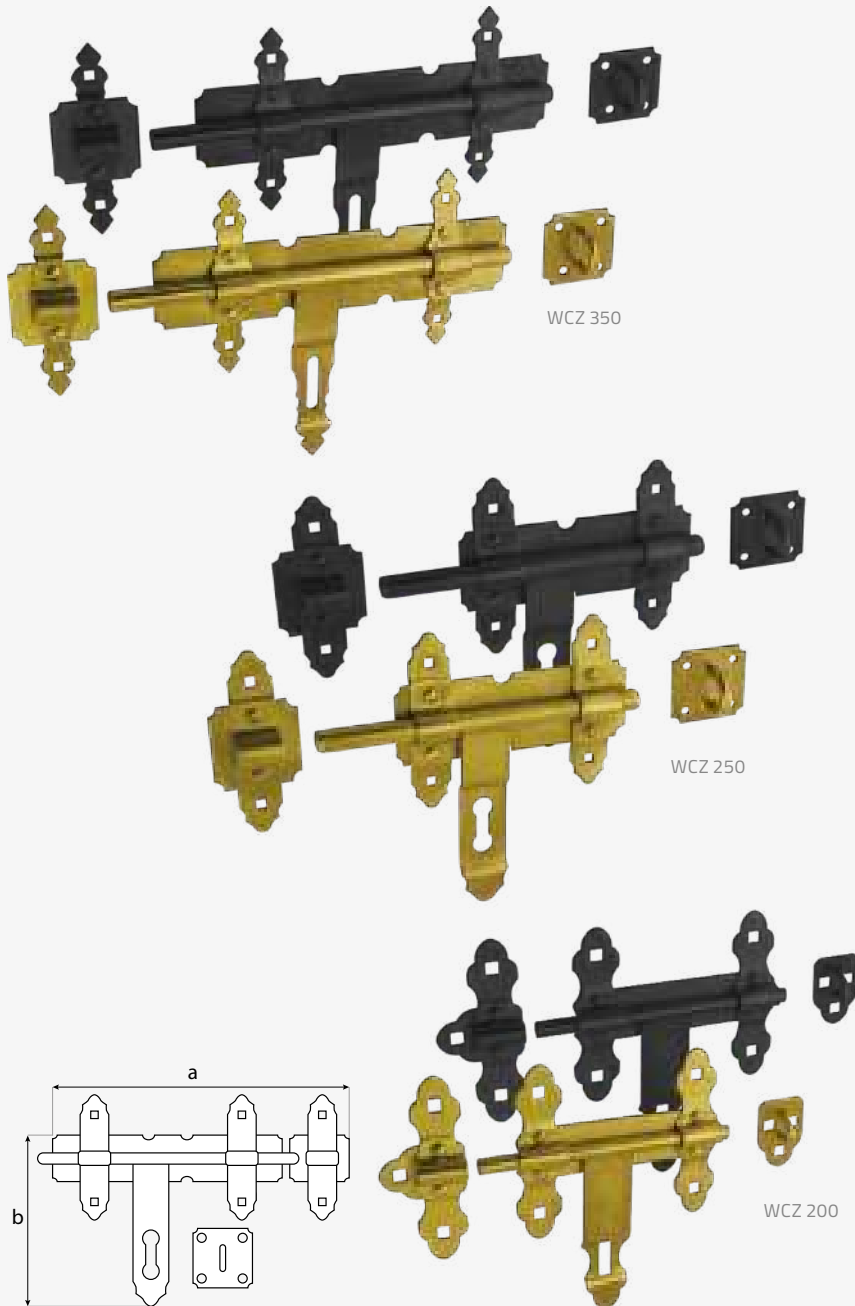
Application Heavy bolt with a rustic finish. Used as a closing element for large gates or doors. Perfect for shed, storage or barn doors. Equipped with a hole and a hasp allowing the use of a padlock.

Material S235 + yellow galvanization; DUPLEX: S235 + Z275 powder coated black.

Mounting Wood screws $\phi 6$; carriage bolt ZACB M8.

WCZ

Heavy duty
tower bolt



name	coat.	art no.	dimensions [mm]			holes [mm]		weight [g]	pack [pcs]
			a	b	#	$\phi 7$	$\square 7$		
WCZ 200	●	8651	200	200	2,5	4	6	637	5
	■	86512	200	200	2,5	4	6	637	5
WCZ 250	●	8652	250	200	2,5	4	6	970	5
	■	86522	250	200	2,5	4	6	970	5
WCZ 350	●	8654	350	200	2,5	4	6	1165	2
	■	86542	350	200	2,5	4	6	1165	2

coating:

- yellow galvanization
- DUPLEX: S235 + Z275 powder coated, black

WZK

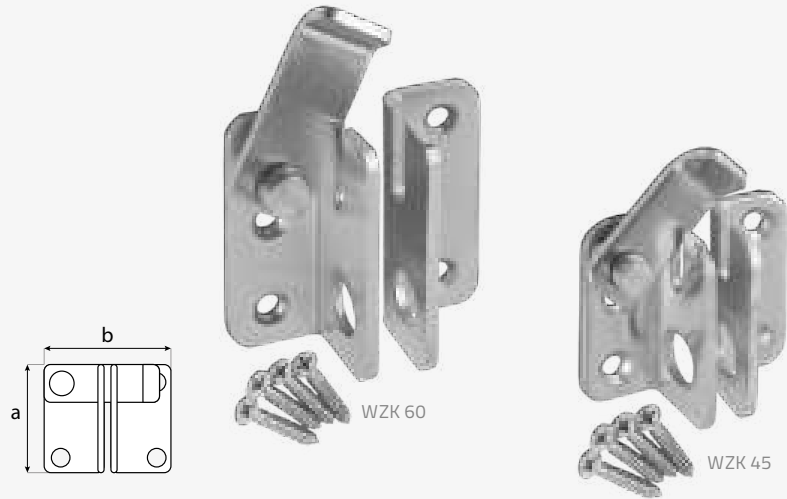
Gate latch INOX



Application Latch made of high-quality stainless steel. The lock is made by lowering the movable bolt, which prevents the gate or door from opening on its own. It has holes to additionally attach a padlock.

Material Stainless steel.

Mounting Wkręty INOX do drewna $\phi 4.5$, $\phi 5$.



name	coat.	art no.	dimensions [mm]		holes [mm]		weight [g]	pack [pcs]
			a	b	$\phi 4.5$	$\phi 5$		
WZK 45	■	850851	45	40	4	–	81	20
WZK 60	■	850852	61	52	–	4	150	10

coating:
 ■ stainless steel

WHK

Closure – key lock



Application Closure with a hinge equipped with a lock and two keys (included). After closing, all fasteners such as screws or bolts are covered, which increases safety against possible unscrewing. It will be perfect, for example, in tool sheds.

Material DC01 + powder coated black.

Mounting Wood screws $\phi 4.5$, $\phi 5$; screw ZAS $\phi 4.5$.



name	coat.	art no.	dimensions [mm]		holes [mm]		weight [g]	pack [pcs]
			a	b	$\phi 4$	$\phi 5$		
WHK 1	●	883811	95	30	7	–	110	10
WHK 2	●	883812	140	40	–	7	170	10

coating:
 ● powder coated, black

domax[■]

PWM

✓ in our offer

screw-in post support

see page 108

WHG

Self-locking latch

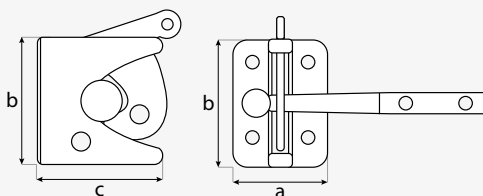
Application Gravity latch for gates and doors. Equipped with self-locking bolt. It has an additional possibility to put a padlock in the holes blocking the bolt.

Material DUPLEX: DC01 + Z275 powder coated black.

Mounting Wood screws $\phi 5$; screw ZAS $\phi 4.5$.

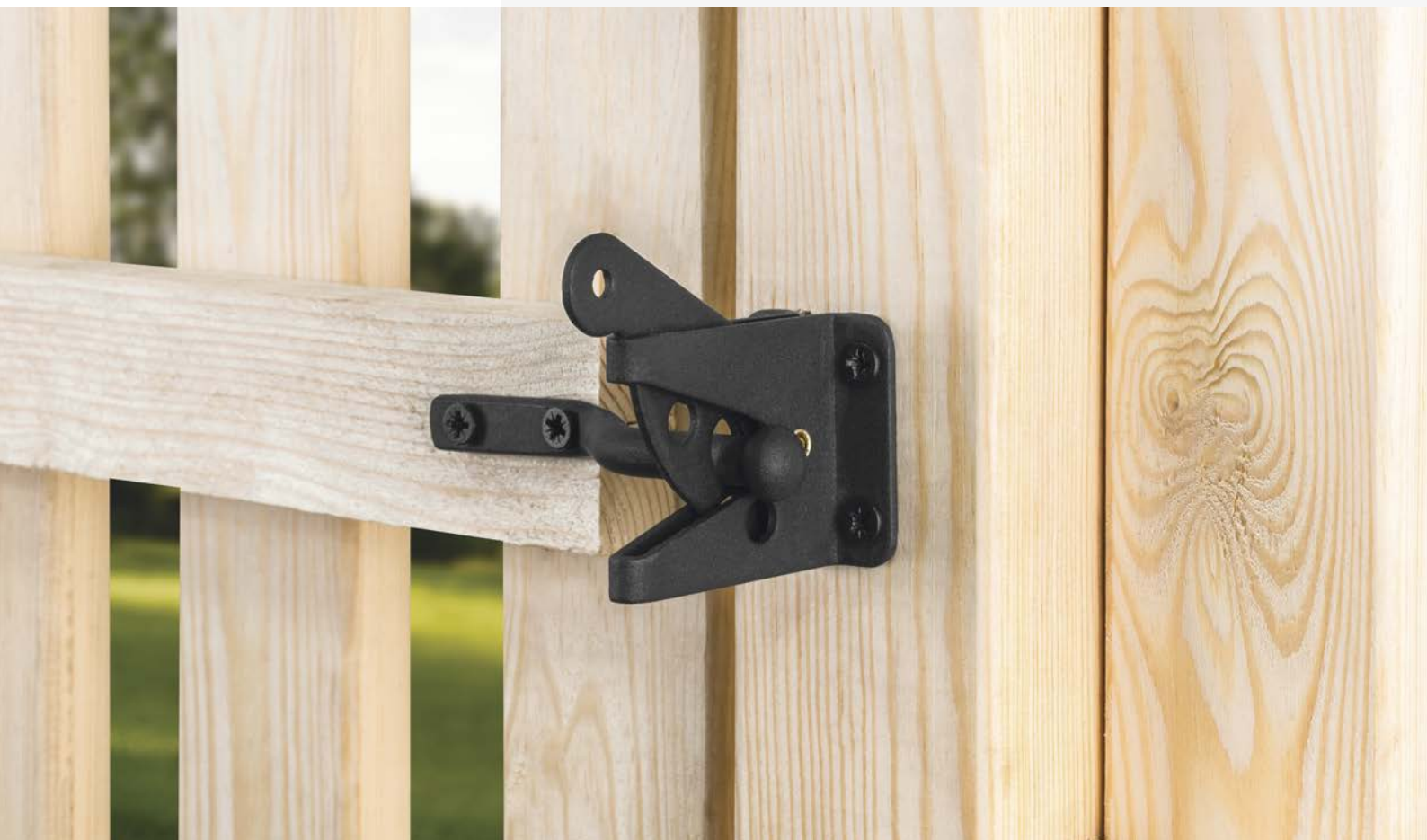


WHG 50



name	coat.	art no.	dimensions [mm]			holes [mm]	weight [g]	pack [pcs]
			a	b	c	$\phi 5$		
WHG 50	●	8838322	48	38	58	6	201	10

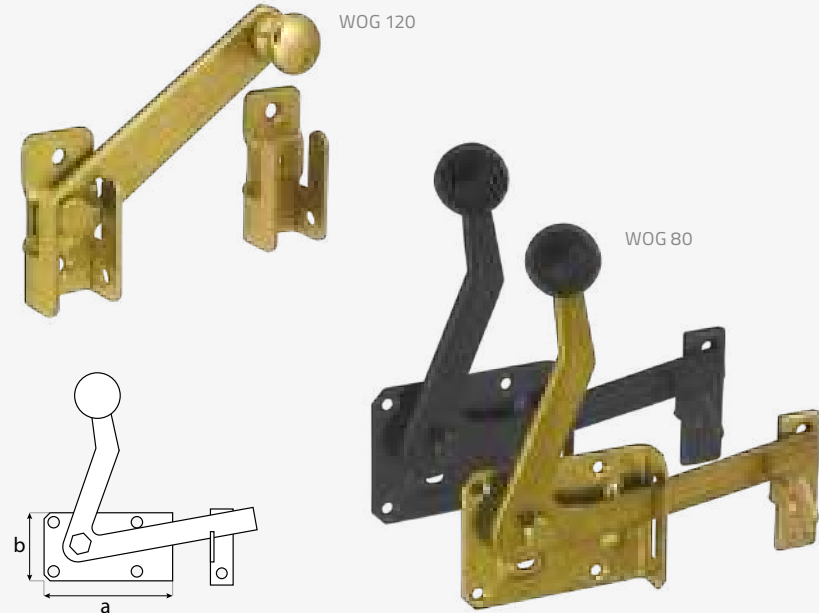
coating:
● powder coated, black



Application Gravity garden latch. The WOG 80 model is additionally equipped with a second arm, thanks to which it is possible to open the gate from the outside of the fence.

Material DC01 + yellow galvanization; DUPLEX: DC01 + Z275 powder coated black.

Mounting Wood screws $\phi 5$; screw ZAS $\phi 4.5$.



name	coat.	art no.	dimensions [mm]			holes [mm]	weight [g]	pack [pcs]
			a	b	≠	$\phi 5$		
WOG 80	●	8612	80	60	2,0	6	310	5
	■	86122	80	60	2,0	6	310	5
WOG 120	●	8613	120	20	2,0	4	165	10

coating:

- yellow galvanization
- DUPLEX: DC01 + Z275 powder coated, black

WOG

Garden latch



Application Gravitational garden latch with a rustic finish.

Material DUPLEX: DC01 + Z275 powder coated black.

Mounting Wood screws $\phi 5$; screw ZAS $\phi 4.5$.



name	coat.	art no.	dimensions [mm]			holes [mm]	weight [g]	pack [pcs]
			a	b	≠	$\phi 5$		
WOGO 120	■	86142	120	-	2,0	4	165	10

coating:

- DUPLEX: DC01 + Z275 powder coated, black

WOGO

Garden latch



WZO

Latch



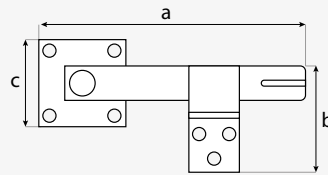
Application Simple and very durable gravity latch. It is perfect wherever automatic or accidental opening of a gate or shutter is possible. Made of 4 mm thick steel, protected with double DUPLEX anti-corrosion protection.

Material DUPLEX: DC01 + Z275 powder coated black.

Mounting Wood screws $\phi 4.5$; screw ZAS $\phi 4.5$.



WZO 160



name	coat.	art no.	dimensions [mm]				holes [mm]		weight [g]	pack [pcs]
			a	b	c	≠	$\phi 4,5$	7		
WZO 160	■	850841	155	80	50	4,0	7	285	10	

coating:
 ■ DUPLEX: DC01 + Z275 powder coated, black

WBR

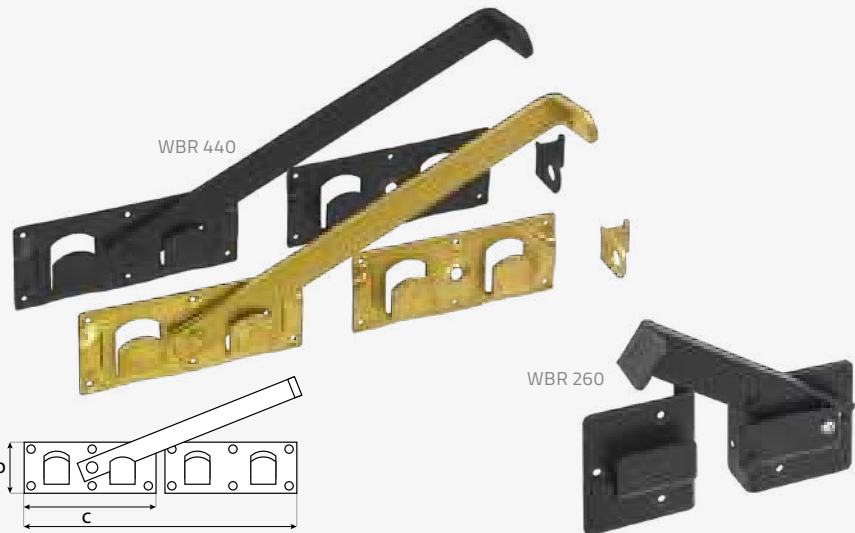
Gate latch



Application Large gate latch with a rustic finish. Used as a closing detail for large gates or doors. Perfect for shed, storage or barn doors. Equipped with an element that allows the use of a padlock.

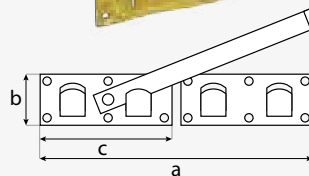
Material S235 + yellow galvanization; DUPLEX: S235 + Z275 powder coated black.

Mounting Wood screws $\phi 4$, $\phi 6$.



WBR 440

WBR 260



name	coat.	art no.	dimensions [mm]				holes [mm]		weight [g]	pack [pcs]
			a	b	c	≠	$\phi 4$	$\phi 6,5$		
WBR 260	■	86402	260	115	100	4,0	10	-	1870	6
WBR 440	●	8641	440	70	180	8,0	-	12	1289	5
	■	86412	440	70	180	8,0	-	12	1289	5

coating:
 ● yellow galvanization
 ■ DUPLEX: S235 + Z275 powder coated, black

Application Spring designed for garden gates. The tension is regulated with an Allen key.
Material DC01 + silver galvanization; ZL + powder coated black.
Mounting Wood screws $\phi 5$; screw ZAS $\phi 4.5$.



name	coat.	art no.	dimensions [mm]			holes [mm]	weight [g]	pack [pcs]
			a	b	\neq	$\phi 5$		
WHF 280	●	883821	280	22	3,0	2	152	10
	●	8838212	280	22	3,0	4	315	10

coating:
 ● silver galvanization
 ● powder coated, black

WHF

Spring for closing the gate (set)



Application Door closer designed for gates or doors. The built-in spring allows you to adjust the door closing speed.
Material ZL + powder coated black.
Mounting Wood screws $\phi 4$.



name	coat.	art no.	dimensions [mm]		holes [mm]	weight [g]	pack [pcs]
			a	b	$\phi 4$		
WHD 1	●	883831	120	30	6	396	10

coating:
 ● powder coated, black

WHD

Garden door closer (set)



WRG

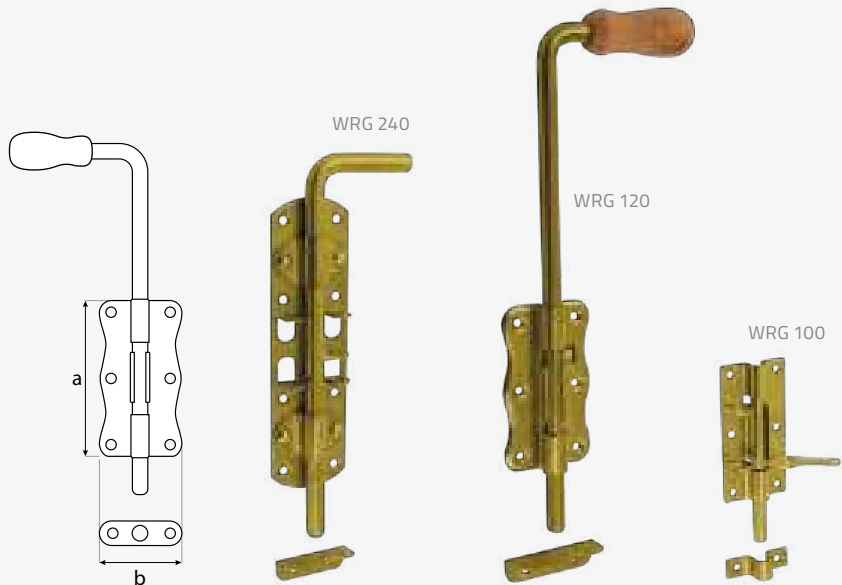
Tower bolt



Application Latch with a bent bolt. Designed to block shutters, doors or chests. It prevent automatic movement of doors and flaps.

Material DC01 + yellow galvanization.

Mounting Wood screws $\phi 5$.



name	coat.	art no.	dimensions [mm]			holes [mm]	weight [g]	pack [pcs]
			a	b	≠	$\phi 5$		
WRG 100	●	8630	100	48	1,5	8	170	10
WRG 120	●	8624	120	60	1,3	8	611	10
WRG 240	●	8632	240	60	2,0	10	747	10

coating:
● yellow galvanization

WOT

Gate bolt



Application Light latch with a bent bolt. Designed for locking shutters, doors and chests. It has a hole for attaching a padlock. Latch prevents automatic movement of doors or flaps and protect against third parties.

Material DC01 + powder coated black.

Mounting Wood screws $\phi 6$.



name	coat.	art no.	dimensions [mm]			holes [mm]	weight [g]	pack [pcs]
			a	b	≠	$\phi 6$		
WOT 450	●	8508312	450	41	2,5	6	635	6
WOT 600	●	8508322	600	41	2,5	6	805	6

coating:
● powder coated, black

Application Spring latch with a wooden handle used as a closing element in various types of wooden gates, doors or shutters. The built-in spring mechanism enables quick and effective closing of the structure.

Material DC01 + yellow galvanization; DUPLEX: DC01 + Z275 powder coated black.

Mounting Wood screws $\phi 5$; screw ZAS $\phi 4.5$.

WSP

Pull spring bolt
with wooden grip



name	coat.	art no.	dimensions [mm]			holes [mm]	weight [g]	pack [pcs]
			a	b	c	$\phi 5$		
WSP 150	●	8620	150	50	–	8	221	10
WSP 200	●	8618	200	120	30	10	212	10
WSP 260	●	8621	300	190	50	10	608	10
	■	86212	300	190	50	10	608	10
WSP 420	●	8623	420	190	50	10	737	10
	■	86232	420	190	50	10	737	10

coating:

- yellow galvanization
- DUPLEX: DC01 + Z275 powder coated, black

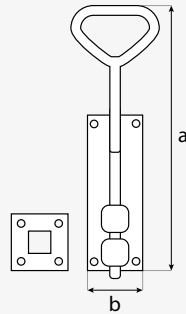
WRU

Tower drop bolt



Application Safety bolt for swing gates or wickets. Equipped with a convenient handle for opening the gate and limiters that block the movements of the bolt in the latch, thanks to which it does not fall down on its own, and the product can be mounted both in the upper and lower part of the gate. The set includes a plate supporting the rod.

Material DC01 + powder coated black.
Mounting Wood screws $\varnothing 5$; screw ZAS $\varnothing 4.5$.



WRU 330

name	coat.	art no.	dimensions [mm]			holes [mm]	weight [g]	pack [pcs]
			a	b	≠	$\varnothing 5$		
WRU 330	●	8641911	330	55	3,0	10	863	6

coating:
 ● powder coated, black

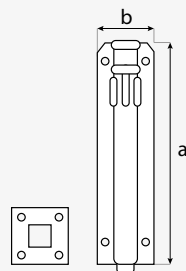
WRB

Tower drop bolt



Application Security bolt for gates or swing gates. The product is designed that it can be operated with the foot. It is closed by pressing the upper part, opened by pressing the lower part. The set includes a plate supporting the rod.

Material DC01 + powder coated black.
Mounting Wood screws $\varnothing 5$; screw ZAS $\varnothing 4.5$.



WRB 210

name	coat.	art no.	dimensions [mm]			holes [mm]	weight [g]	pack [pcs]
			a	b	≠	$\varnothing 5$		
WRB 210	●	8641901	210	52	2,3	8	863	6

coating:
 ● powder coated, black

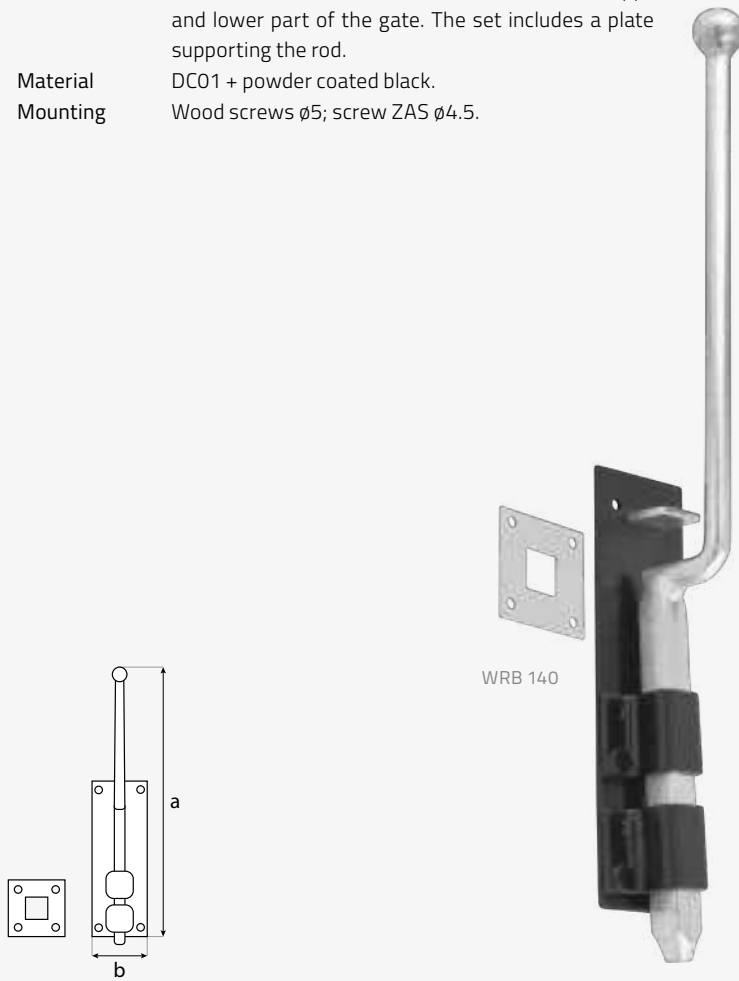
Application Security bolt for gates or swing gates. Equipped with limiters that block the movements of the bolt in the bolt, thanks to which it does not fall down by itself, and the detail can be mounted both in the upper and lower part of the gate. The set includes a plate supporting the rod.

Material DC01 + powder coated black.

Mounting Wood screws $\varnothing 5$; screw ZAS $\varnothing 4.5$.

WRZ

Tower drop bolt



name	coat.	art no.	dimensions [mm]			holes [mm]	weight [g]	pack [pcs]
			a	b	≠	$\varnothing 5$		
WRZ 410	●	8641921	410	55	3,0	10	905	6

coating:

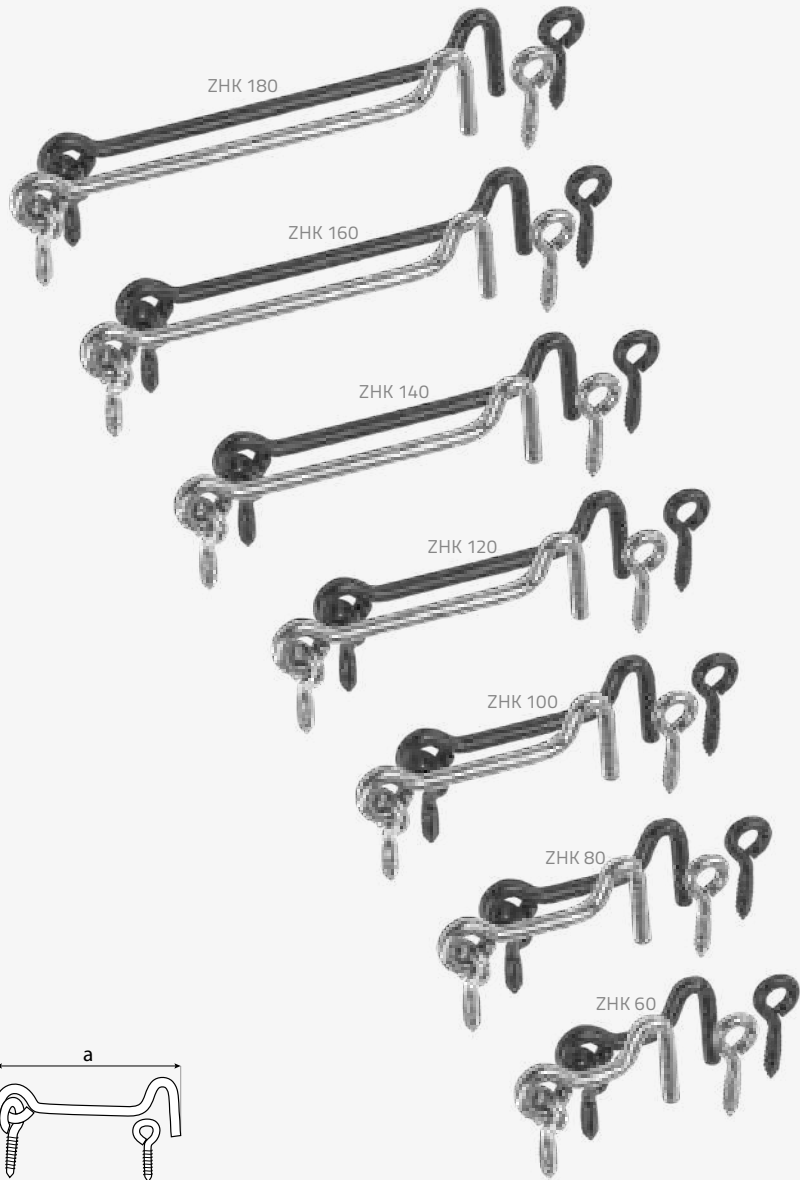
● powder coated, black



ZHK

Hook lock

Application Hook lock for doors, boxes and shutters.
Material DC01 + silver galvanization; DC01 + powder coated black.
Mounting The hook has an eyelet with a thread for screwing directly into the wood.



name	coat.	art no.	dimensions [mm]	weight [g]	pack [pcs]
			a		
ZHK 60	●	8871	60	17	50
	●	88712	60	17	50
ZHK 80	●	8872	80	20	50
	●	88722	80	20	50
ZHK 100	●	8873	100	35	50
	●	88732	100	35	50
ZHK 120	●	8874	120	38	50
	●	88742	120	38	50
ZHK 140	●	8875	140	52	20
	●	88752	140	52	20
ZHK 160	●	8876	160	57	20
	●	88762	160	57	20
ZHK 180	●	8877	180	70	20
	●	88772	180	70	20

coating:
 ● silver galvanization
 ● powder coated, black

Application Lock with a hook equipped with two joints to facilitate work in two axes. Hooks can be used to lock doors, gates or to hold shutters in the open position.

Material DC01 + silver galvanization; DC01 + powder coated black.

Mounting Wood screws $\phi 4$.

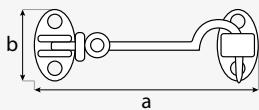
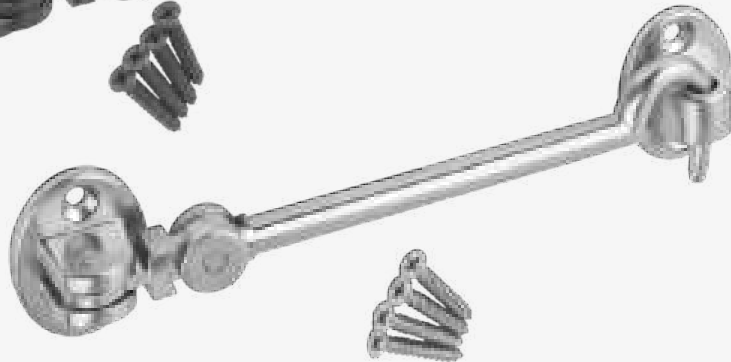
ZHP

Hook lock

ZHP 110



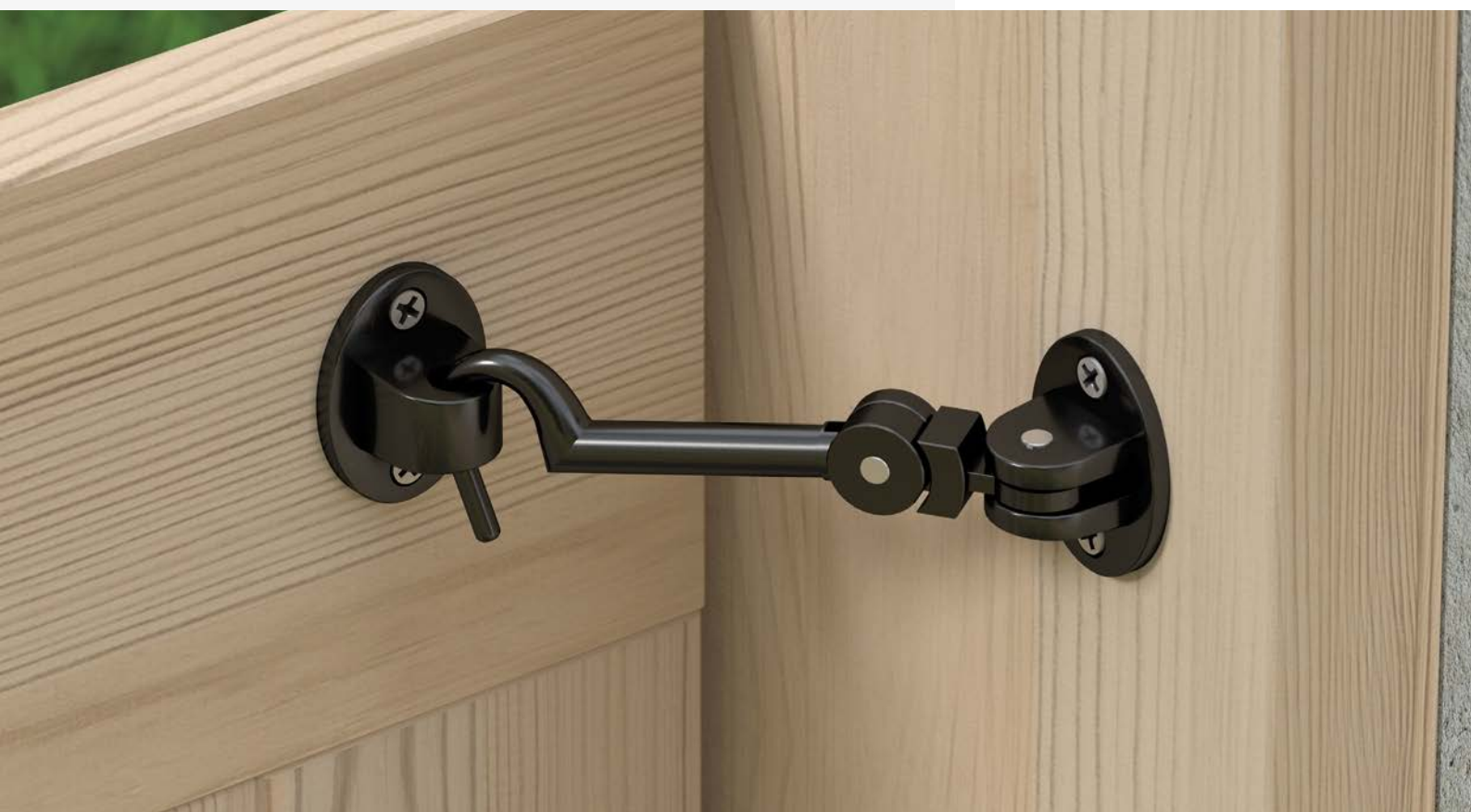
ZHP 160



name	coat.	art no.	dimensions [mm]		holes [mm]	weight [g]	pack [pcs]
			a	b	$\phi 4$		
ZHP 110	●	8871	106	37	4	118	20
ZHP 160	●	88712	157	37	4	138	20

coating:

- powder coated, black
- silver galvanization

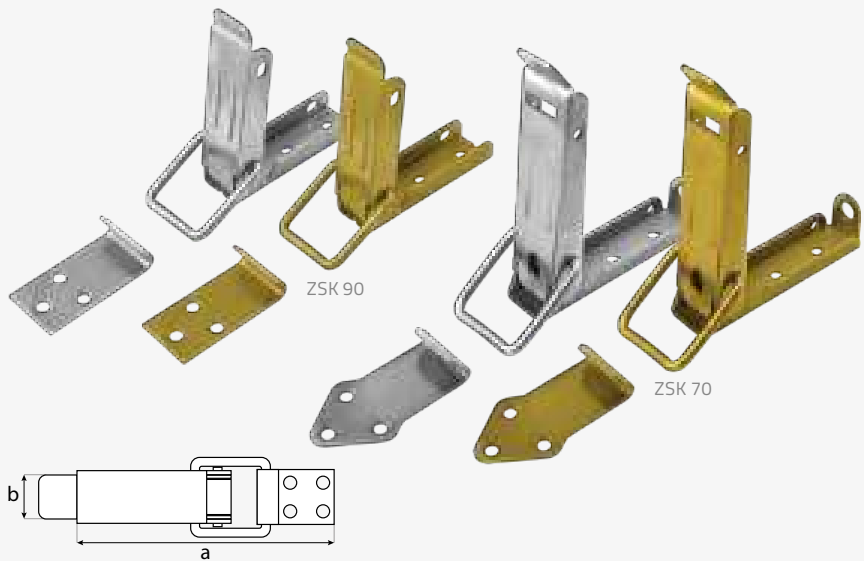


ZSK

Chest lock



Application Folded latch for chests.
Material DC01 + yellow galvanization; DC01 + silver galvanization.
Mounting Wood screws $\phi 5$.



name	coat.	art no.	dimensions [mm]		holes [mm]	weight [g]	pack [pcs]
			a	b	$\phi 5$		
ZSK 70	●	8760	70	20	5	101	20
	●	87604	70	20	5	101	20
ZSK 90	●	8761	94	24	5	188	10
	●	87614	94	24	5	188	10

coating:
 ● yellow galvanization
 ● silver galvanization

SP

Hasp



Application Screw-on hasp with multi-purpose use.
Material DC01 + yellow galvanization.
Mounting Wood screws $\phi 4.5$, $\phi 5$, $\phi 6$.



name	coat.	art no.	dimensions [mm]			holes [mm]			weight [g]	pack [pcs]
			a	b	c	$\phi 4.5$	$\phi 5$	$\phi 6$		
SP 4	●	8665	57	13	18	2	-	-	10	20
SP 5	●	8666	59	16	15	-	2	-	14	20
SP 6	●	8670	64	39	14	4	-	-	43	10
SP 7	●	8671	61	59	23	-	-	4	92	10

coating:
 ● yellow galvanization



✓ in our offer

LBO

circle beam connector

see page 95

ST

Gate bracket



Application

Folding gate bracket with a rubber cover for garage doors and gates. It allows you to lock the door in the open or half-open position.

Material

DC01 + yellow galvanization; DC01 + powder coated white, brown, anthracite.

Mounting

Wood screws $\varnothing 6$.



name	coat.	art no.	dimensions [mm]			holes [mm]		weight [g]	pack [pcs]
			a	\varnothing	\neq	$\varnothing 6$	$\varnothing 6,5$		
ST 250	●	8821	250	14	1,0	2	-	132	10
	○	88213	250	14	1,0	2	-	132	10
	●	88214	250	14	1,0	2	-	132	10
	●	88215	250	14	1,0	2	-	132	10
ST 350	●	8822	350	17	1,0	-	4	325	2

coating:

- yellow galvanization
- powder coated white
- powder coated brown
- powder coated anthracite

SBR

Gate bolt



Application

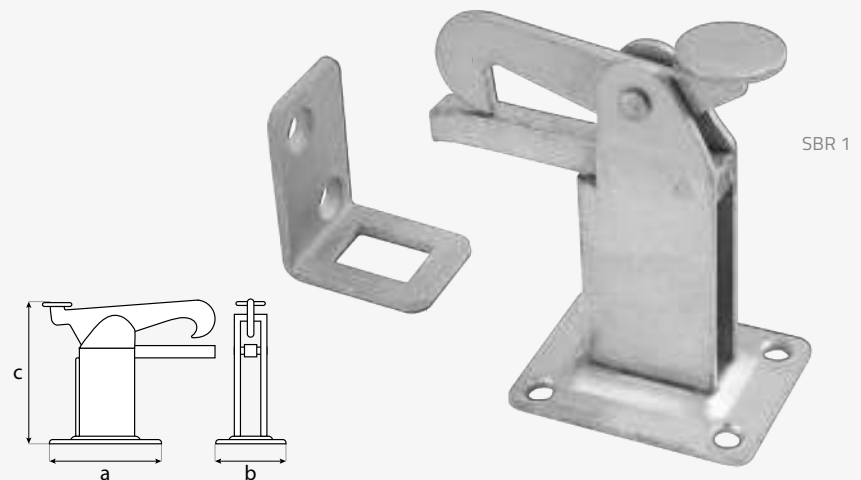
Gate lock used as a closing element in various types of wooden gates and doors.

Material

S235 + hot dip galvanized.

Mounting

Wood screws $\varnothing 6$; ring anchors M5.



name	coat.	art no.	dimensions [mm]			holes [mm]	weight [g]	pack [pcs]
			a	b	c	$\varnothing 6$		
SBR 1	●	882711	65	50	98	6	440	4

coating:

- hot dip galvanized

Application A swivel wheel with a shock absorber designed for heavier gates and gates. It facilitates the movement of the gate along the designated track, and the built-in spring reduces the effect of uneven terrain.

Material DUPLEX: DC01 + Z275 powder coated black.

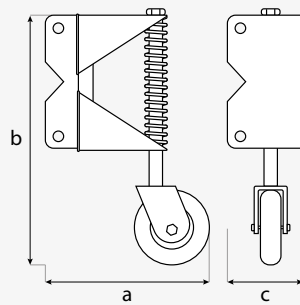
Mounting Wood screws $\varnothing 6$.

SBK

Gate wheel



SBK 1



name	coat.	art no.	dimensions [mm]				holes [mm]		weight [g]	pack [pcs]
			a	b	c	#	$\varnothing 6$			
SBK 1	■	882701	285	200	67	2,5	7	1200	4	

coating:

■ DUPLEX: DC01 + Z275 powder coated, black



SBO

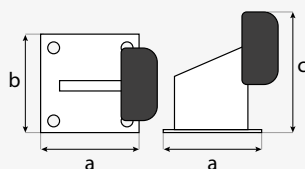
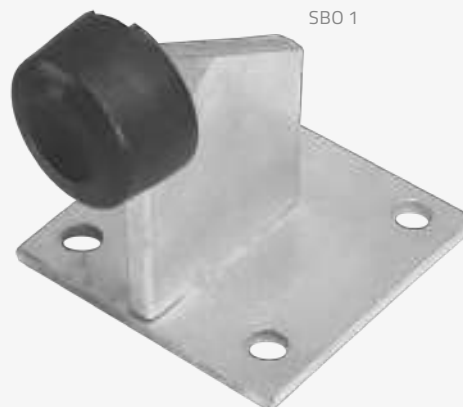
Screw-in
gate stopper



Application Gate stop screwed to concrete. It limits the range and bouncing of the gate leaf, extending its life. The rubber element acts as a bumper.

Material S235 + hot dip galvanized.

Mounting Ring anchor PBK M10; concrete screw PBW 10.5.



name	coat.	art no.	dimensions [mm]			holes [mm]	weight [g]	pack [pcs]
			a	b	c	ø12		
SBO 1	●	882721	100	100	115	4	942	4

coating:
● hot dip galvanized

SB 90

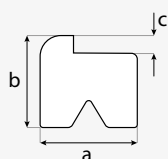
In-concrete
gate stopper



Application A gate stopper designed to be embedded in concrete. It limits the range and bouncing of the gate leaf, extending its life.

Material S235 + silver galvanization.

Mounting Concrete stopper.



name	coat.	art no.	dimensions [mm]				weight [g]	pack [pcs]
			a	b	c	≠		
SB 90	●	8825	90	90	16	1,5	323	5

coating:
● silver galvanization

Application Gate stop screwed to concrete. It limits the range and bouncing of the gate leaf, extending its life.

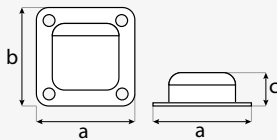
Material S235 + silver galvanization.

Mounting Concrete screw PBW 7.5; ring anchor M8.

SB 160

Screw-in
gate stopper

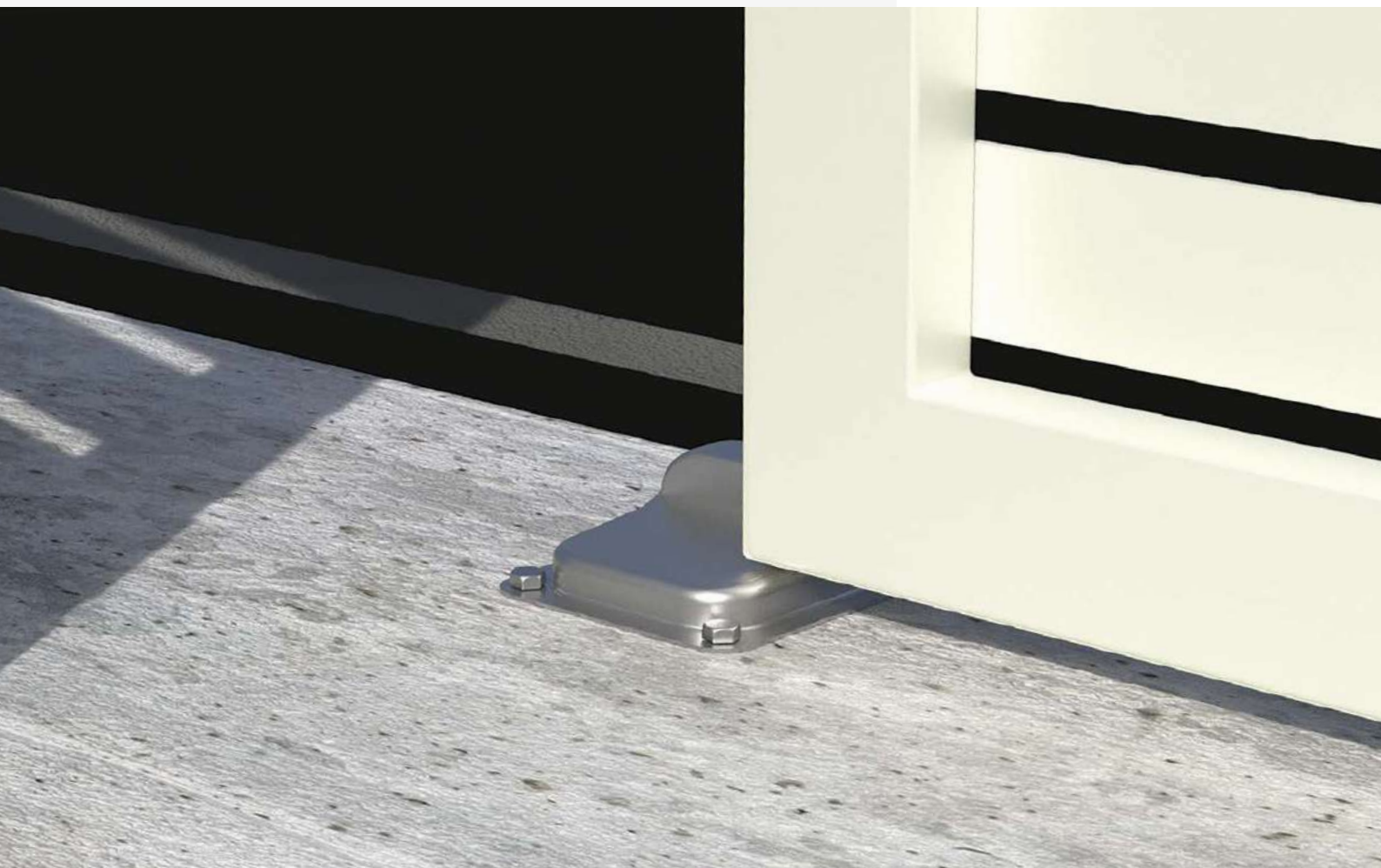
SB 160



name	coat.	art no.	dimensions [mm]				holes [mm]	weight [g]	pack [pcs]
			a	b	c	#	ø12		
SB 160	●	8826	158	138	20	4	473	5	

coating:

- silver galvanization

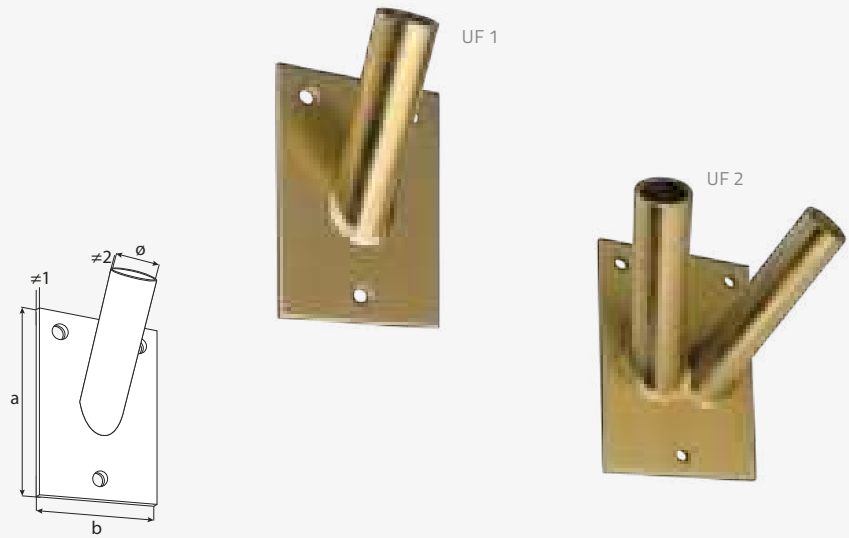


UF

Flag holder



Application A simple flag holder allows for easy and convenient flag fixation.
Material DC01 + yellow galvanization.
Mounting Wood: wood screws $\varnothing 6$; stal: śruby M6; beton: kołek 10 mm.



name	coat.	art no.	dimensions [mm]					holes [mm]	weight [g]	pack [pcs]
			a	b	\varnothing	$\neq 1$	$\neq 2$	$\varnothing 6,2$		
UF 1	●	8847	70	110	26	3	1,5	3	307	6
UF 2	●	8848	70	110	24	3	1,5	3	406	6

coating:
 ● yellow galvanization

US

Box handle



Application Classic folding box handle. Used as fittings for convenient opening of drawers, trunks or chests. It will be perfect as a transport handle.
Material DC01 + yellow galvanization; DC01 + silver galvanization; DUPLEX: DC01 + Z275 powder coated black.
Mounting Wood screws $\varnothing 6$.



name	coat.	art no.	dimensions [mm]			holes [mm]	weight [g]	pack [pcs]
			a	b	\neq	$\varnothing 6$		
US 90	●	8831	90	70	1,5	4	149	10
	●	88312	90	70	1,5	4	149	10
	■	88313	90	70	1,5	4	149	10
US 115	●	8832	115	80	1,5	4	201	10

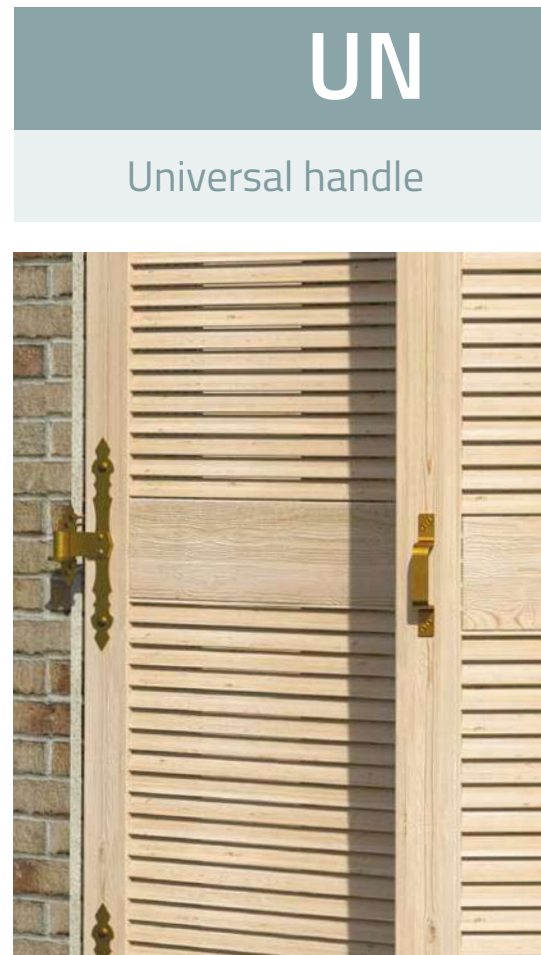
coating:
 ● yellow galvanization
 ● silver galvanization
 ■ DUPLEX: DC01 + Z275 powder coated, black

Application Universal lightweight handle with a minimalist look for doors, shutters or chests.
Material DC01 + yellow galvanization; DC01 + silver galvanization.
Mounting Wood screws $\phi 5$.



name	coat.	art no.	dimensions [mm]				holes [mm]			weight [g]	pack [pcs]
			a	b	c	≠	$\phi 5$				
UN 160	●	8840	165	35	20	4	4		94	10	
	●	88402	165	35	20	4	4		94	10	
UN 200	●	8841	200	40	20	4	4		130	10	

coating:
 ● yellow galvanization
 ● silver galvanization



UN

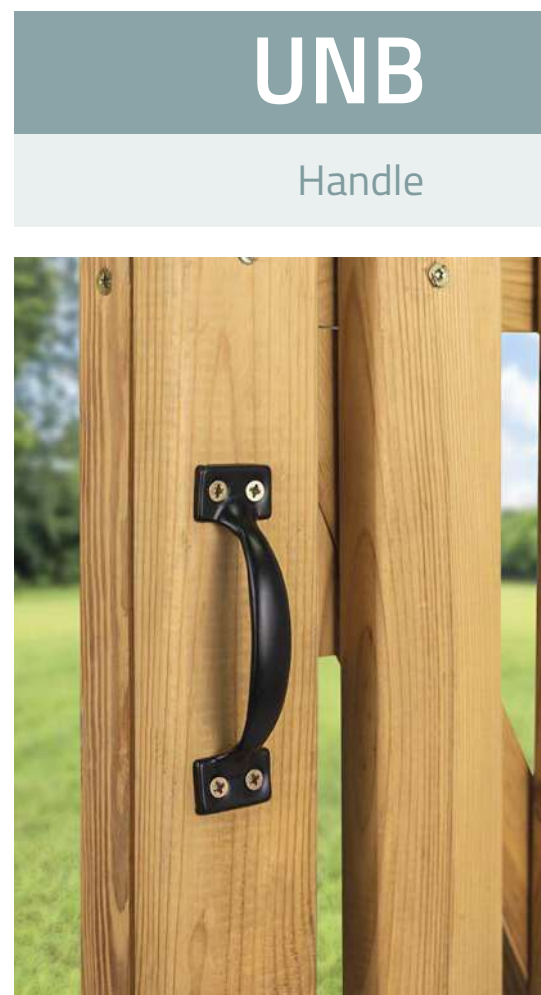
Universal handle

Application Classic lightweight handle for doors, shutters or chests.
Material DC01 + silver galvanization; DC01 + powder coated black; DC01 + brass plated.
Mounting Wood screws $\phi 4$, $\phi 5$, $\phi 6$.



name	coat.	art no.	dimensions [mm]				holes [mm]			weight [g]	pack [pcs]
			a	b	c	≠	$\phi 4$	$\phi 5$	$\phi 6$		
UNB 120	●	88421	120	31	33	1,3	4	-	-	22	20
	●	884212	120	31	33	1,3	4	-	-	22	20
	●	884214	120	31	33	1,3	4	-	-	22	20
UNB 140	●	88422	145	36	40	1,3	-	4	-	40	20
	●	884222	145	36	40	1,3	-	4	-	40	20
	●	884224	145	36	40	1,3	-	4	-	40	20
UNB 160	●	88423	165	40	46	1,3	-	-	4	57	10
	●	884232	165	40	46	1,3	-	-	4	57	10
	●	884234	165	40	46	1,3	-	-	4	57	10

coating:
 ● silver galvanization
 ● powder coated, black
 ● brass plated



UNB

Handle

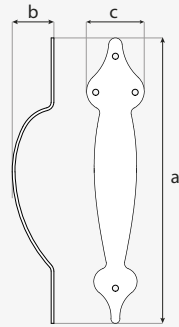
UNR

Handle



Application Decorative handle with decorative embossing for doors, shutters or chests.
Material DUPLEX: DC01 + Z275 powder coated black.
Mounting Wood screws $\phi 5$; screw ZAS $\phi 4.5$.

UNR 250



name	coat.	art no.	dimensions [mm]				holes [mm]	weight [g]	pack [pcs]
			a	b	c	≠	$\phi 5$		
UNR 250	■	884252	250	52	40	2,5	4	153	10

coating:
 ■ DUPLEX: DC01 + Z275 powder coated, black

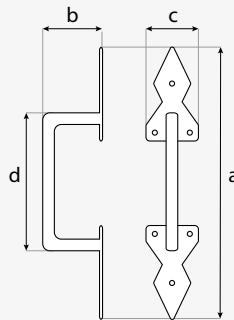
UZD

Decorative handle



Application Decorative handle in a rustic style for doors, shutters or chests.
Material DUPLEX: DC01 + Z275 powder coated black.
Mounting Wood screws $\phi 5$; screw ZAS $\phi 4.5$.

UZD 130



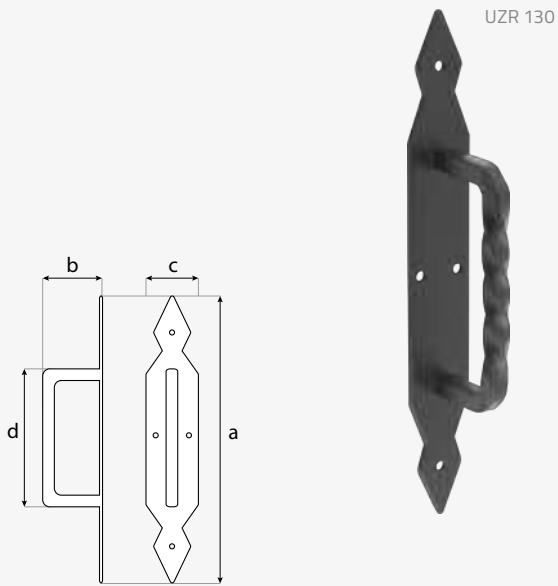
name	coat.	art no.	dimensions [mm]				holes [mm]	weight [g]	pack [pcs]	
			a	b	c	d	≠			$\phi 5,5$
UZD 130	■	79962	270	57	52	130	3,0	6	351	5

coating:
 ■ DUPLEX: DC01 + Z275 powder coated, black

Application Decorative handle in a rustic style for doors, shutters or chests.
 Material DUPLEX: DC01 + Z275 powder coated black.
 Mounting Wood screws $\phi 5$; screw ZAS $\phi 4.5$.

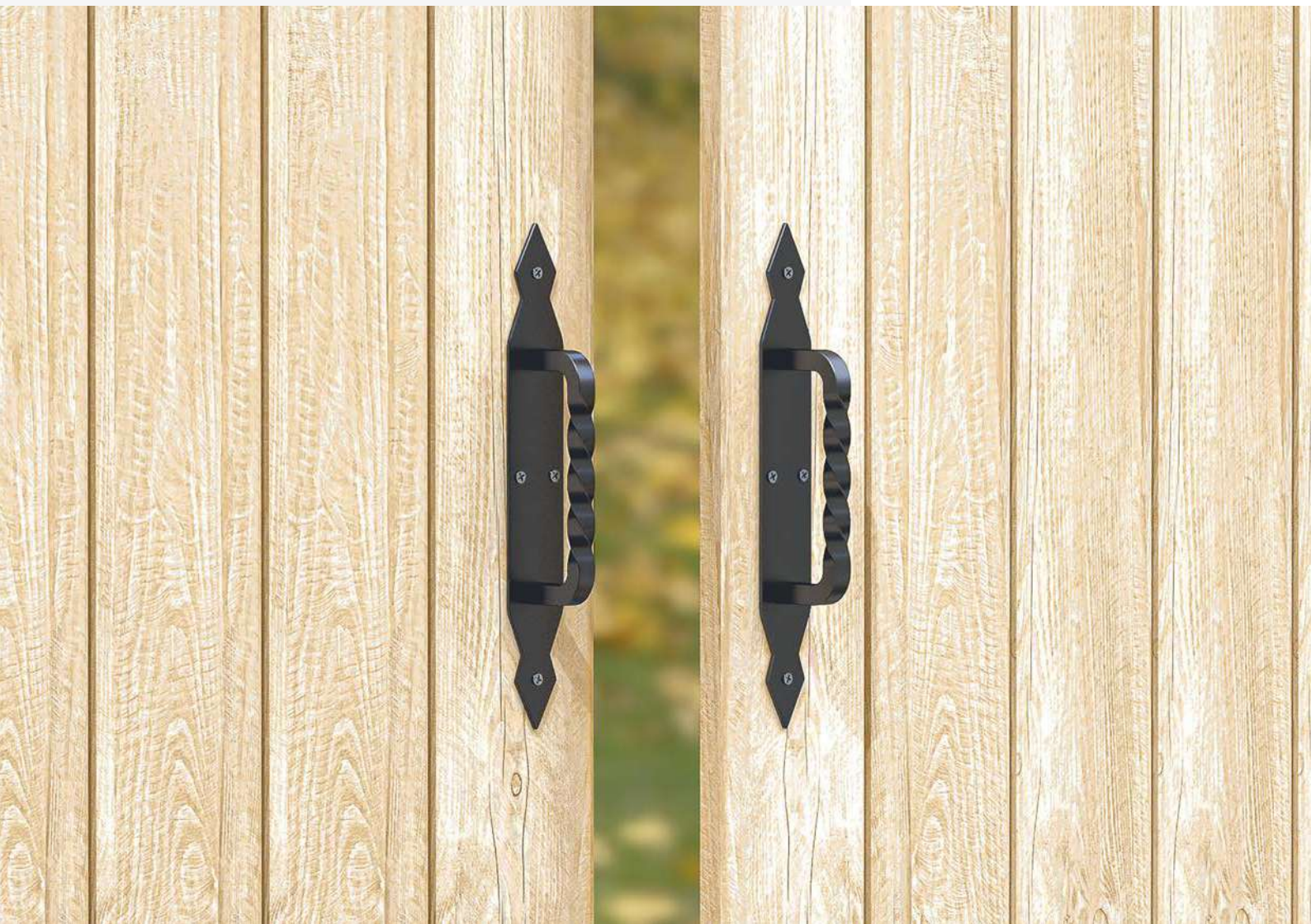
UZR

Decorative handle



name	coat.	art no.	dimensions [mm]					holes [mm]		weight [g]	pack [pcs]
			a	b	c	d	≠	$\phi 5$			
UZR 130	■	79972	290	60	40	130	3,0	4	453	5	

coating:
 ■ DUPLEX: DC01 + Z275 powder coated, black



WHA

Handle with a hole
(set)



Application

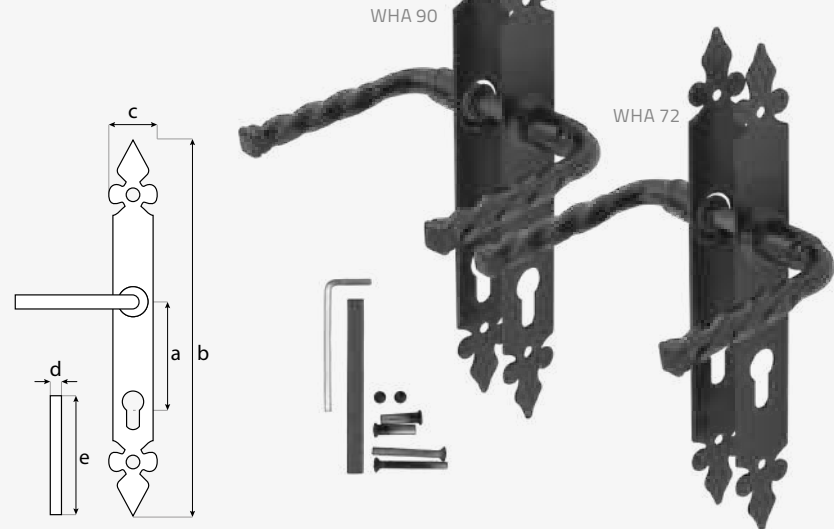
Rustic door handle with an oblong plate. The universal design allows it to be used in both left and right doors. Equipped with a hole for mounting a cylinder to the lock.

Material

DC01 + powder coated black.

Mounting

Metric screws included.



name	coat.	art no.	dimensions [mm]					weight [g]	pack [pcs]
			a	b	c	d	e		
WHA 72	●	883891	72	270	36	8	85	400	10
WHA 90	●	883892	90	270	36	8	85	420	10

coating:

● powder coated, black

WHB

Handle without a hole
(set)



Application

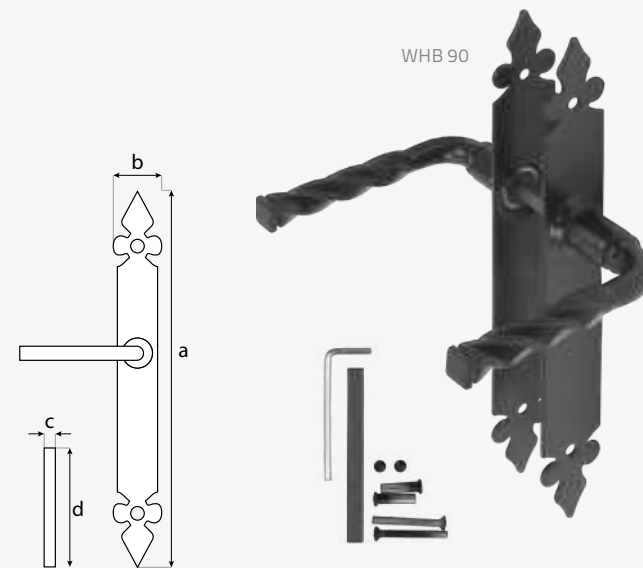
Rustic door handle with an oblong plate. The universal design allows it to be used in both left and right doors.

Material

DC01 + powder coated black.

Mounting

Metric screws included.



name	coat.	art no.	dimensions [mm]				weight [g]	pack [pcs]
			a	b	c	d		
WHB 90	●	883893	270	36	8	85	450	10

coating:

● powder coated, black

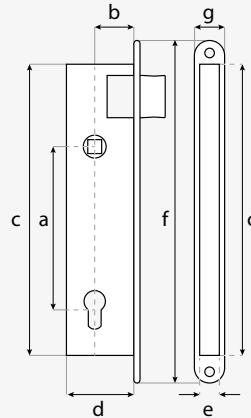


WHU

Ratchet lock
(set)



Application Narrow latch type lock consisting of a set: lock, striker, mounting screws. The universal design allows it to be used in both left and right doors.
Material DC01 + powder coated black.
Mounting Metric screws included.



name	coat.	art no.	dimensions [mm]							weight [g]	pack [pcs]
			a	b	c	d	e	f	g		
WHU 90	●	883844	90	22	180	39	13	220	20	418	8

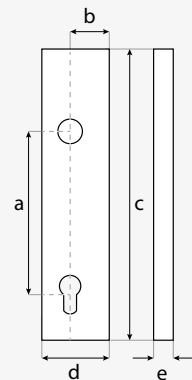
coating:
● powder coated, black

WHUP

Mortise lock case



Application Gate lock box used with standard inserts.
Material DC01 + oil film.
Mounting Weld-on lock box.



name	coat.	art no.	dimensions [mm]							weight [g]	pack [pcs]
			a	b	c	d	e	≠			
WHUP 90	●	883845	90	22	225	42	26	20	374	10	

coating:
● oil film

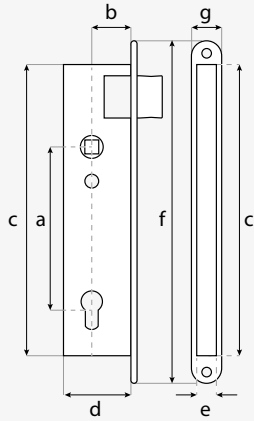
Application Narrow latch type lock consisting of a set: lock, striker, mounting screws. It is available in the right and left version.

Material DC01 + powder coated black.

Mounting Metric screws included.

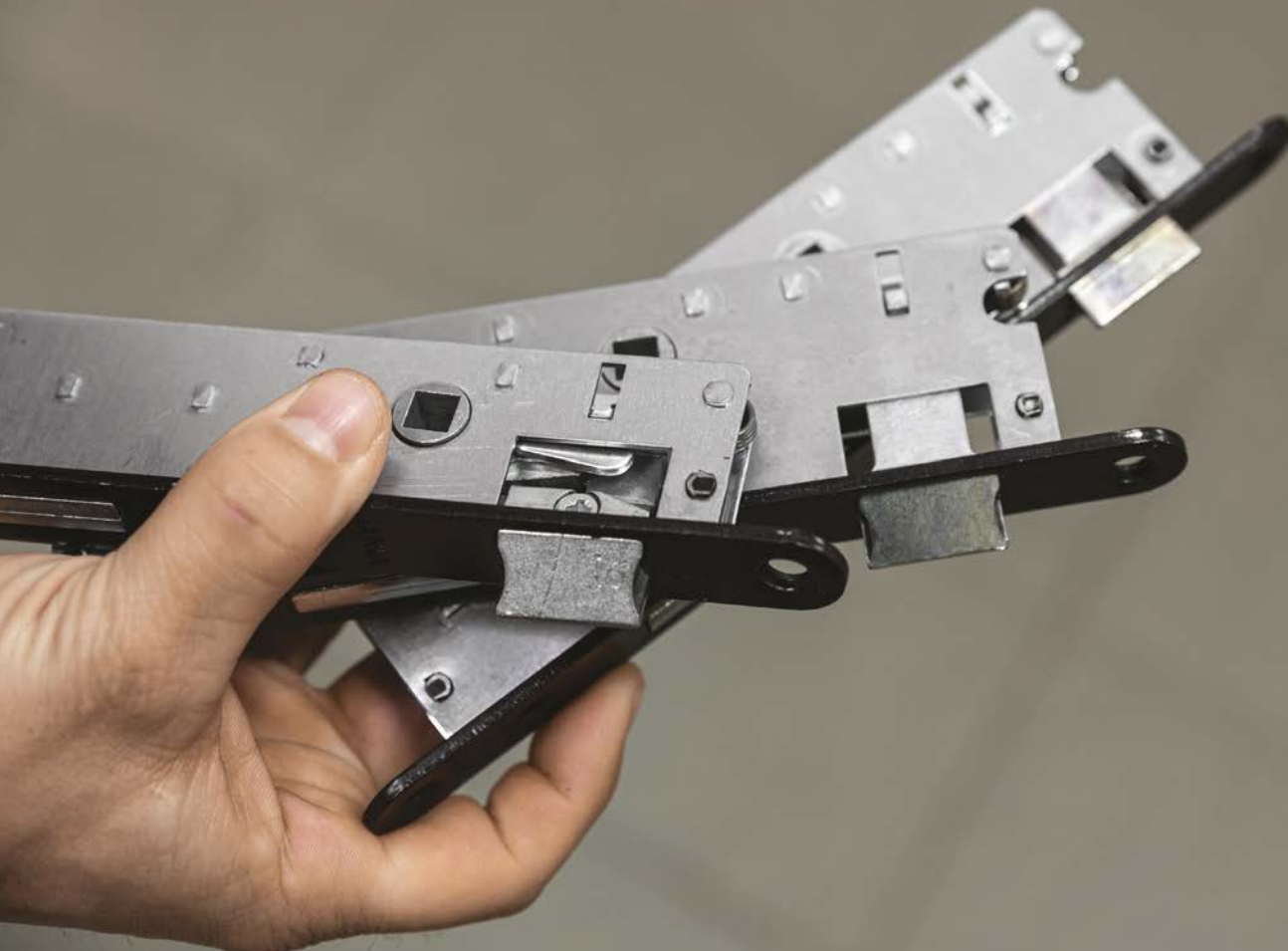
WHZ

Ratchet lock (set)



name	coat.	art no.	dimensions [mm]							weight [g]	pack [pcs]
			a	b	c	d	e	f	g		
WHZ 72 P	●	883842	72	34	180	50	13	220	20	430	8
WHZ 72 L	●	883843	72	34	180	50	13	220	20	430	8

coating:
 ● powder coated, black



WHO

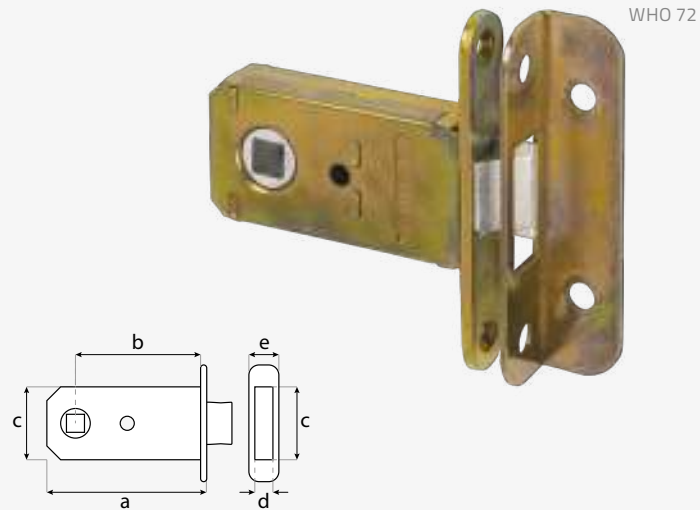
Ratchet lock (set)



Application Classic ratchet lock with a latch. The universal design allows it to be used in both left and right doors.

Material DC01 + yellow galvanization.

Mounting Wood screws included.

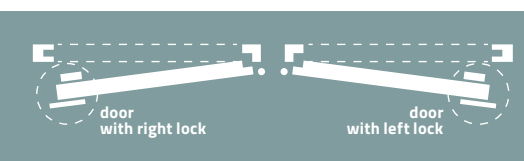


name	coat.	art no.	dimensions [mm]						weight [g]	pack [pcs]
			a	b	c	d	e	f		
WHO 72	●	883841	72	50	34	15	16	80	161	10

coating:
● yellow galvanization

WHW

Rural door lock (set)



Application Classic rural lock that is used in stylish and rustic doors. The set includes: 2 handles, 2 bolts (one operated with a key, the other additionally closed from the inside), an external shield, a universal striker, 2 keys for the lock and a set of fixing screws. A solid cast iron latch handle and other lock elements made of steel make the entire structure extremely durable.

Material DC01 + powder coated black.

Mounting Wood screws included.



name	coat.	art no.	dimensions [mm]						weight [g]	pack [pcs]
			a	b	c	d	e	f		
WHW 100 P	●	883846	60	65	100	110	20	40	800	10
WHW 100 L	●	883847	60	65	100	110	20	40	800	10

coating:
● powder coated, black

✓ in our offer

WKT

double threaded insulation screw

see page 298



domax

domax





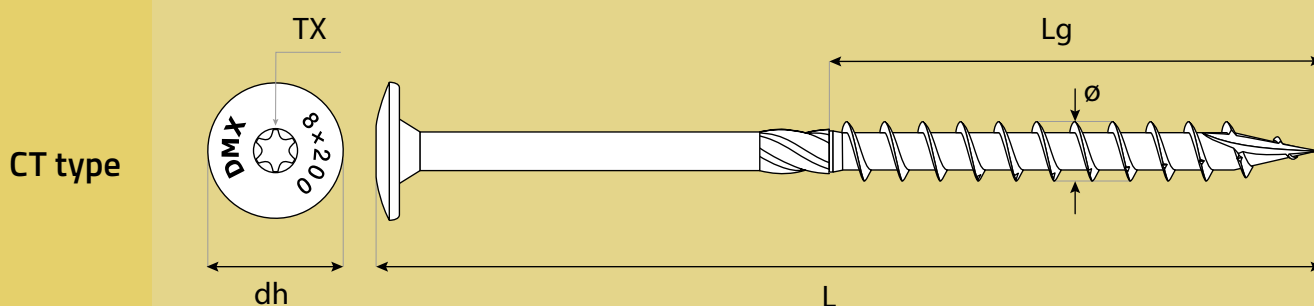
BOLTS, NAILS
HARDENED SCREWS

CERTIFICATION AND QUALITY CONTROL

DOMAX® carpentry screws are self-tapping products made of hardened carbon steel and covered with a layer of corrosion protection Fe/Zn. They are used to connect wooden load-bearing structures with wooden elements. The suitability for use of the CS, CT, WKT, WKW, CPW and CPS screws was assessed according to EAD 130118-01-0603 and the general conditions of use given in EN 1995-1-1.

In accordance with these guidelines, the manufacturer specifies the geometric dimensions of the screw in relation to the following parameters:

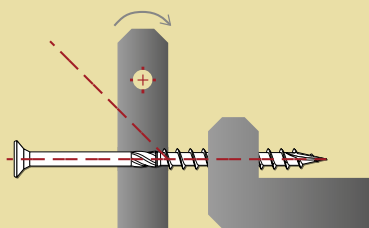
- length **L** [mm],
- thread length **Lg** [mm],
- thread diameter \varnothing [mm],
- head diameter **dh** (d_{head}) [mm],
- TORX socket **TX**.



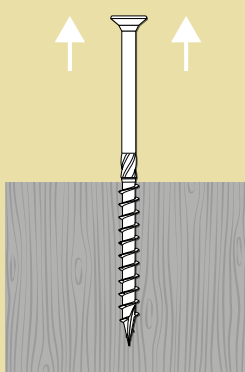
The dimensions of the screws manufactured by DOMAX® comply with the provisions of the EN 14592+A1 standard.

In accordance with the standards, DOMAX® also conducts a number of tests. The specified characteristics reflect the behavior of the joint in a practical application.

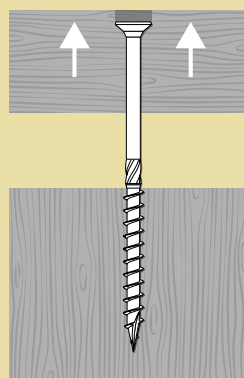
According to EN 1995-1-1, constructions using fasteners such as screws are based on Johansen's theory that joints are flexible. Therefore, the plasticity of the screws is defined as a basic condition ensuring suitability for use. The practical criterion of appropriate plasticity should be the bending angle of the screw, which is determined by the appropriate formula provided in the EAD and supported by tests carried out in the DOMAX® laboratory.



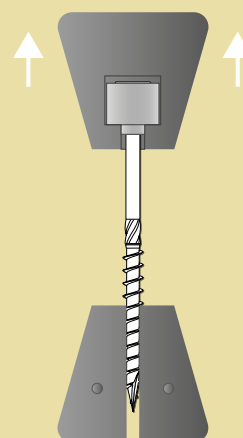
characteristic moment of plasticization
 $M_{y,k}$ (Nmm)



characteristic extraction parameter
 $f_{ak,k}$ (N/mm²)



characteristic parameter of head pulling
 $f_{head,k}$ (N/mm²)



characteristic tensile strength
 $f_{tens,k}$ (kN)

The characteristic yield moments $M_{y,k}$ have been determined in tests according to EN 409.

The characteristic extraction parameters $f_{ax,0,k}$ and $f_{ax,90,k}$ have been determined in tests according to EN 1382.

For the angles α between the axis of the screw and the direction of the fibers $15^\circ \leq \alpha < 45^\circ$, the characteristic extraction capacity $F_{ax,\alpha,Rk}$ is given by the equation $F_{ax,\alpha,Rk} = k_{ax} \cdot d_{lef} \cdot (\rho_k/350)^{0,8}$,

where

k_{ax} factor to take into account the influence of the angle between the screw axis and the direction of the grain and long-term behavior

$$k_{ax} = 0,3 + (0,7 \cdot \alpha) / 45^\circ$$

$f_{ax,90,k}$ short-term characteristic extraction parameter for the angle α between the screw axis and the fiber direction of 90° per N/mm²

d outside diameter of the screw thread in mm

l_{ef} penetration length of the threaded part of the screw in the wooden element in mm

ρ_k is the characteristic density of the wood-based element in kg/m³

For the angle α between the screw axis and the grain direction $0^\circ \leq \alpha < 15^\circ$, the following requirements are met and the appropriate equations can be used:

1. $f_{ax,0,k} / f_{ax,90,k} \geq 0,6$
2. The penetration length of the threaded part of the screw in the wooden element should be:

$$l_{pen,req} = \min \left\{ \begin{array}{l} \frac{4 \cdot d}{\sin \alpha} \\ 20 \cdot d \end{array} \right\}$$

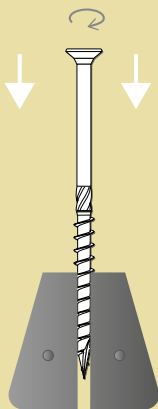
The characteristic head broaching parameter $f_{head,k}$ has been determined on the basis of tests in accordance with EN 1383.

The characteristic tensile strength $f_{tens,k}$ has been determined by testing in accordance with EN 1383.

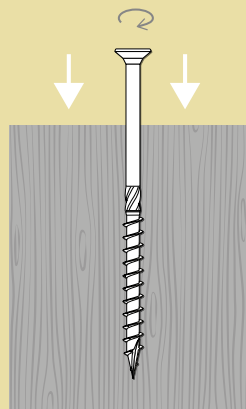
The characteristic torsional strength $f_{tor,k}$ has been determined by testing in accordance with EN ISO 10666.

The characteristic screw-in torque $R_{tor,k}$ has been determined by testing according to EN 15737. The characteristic torque factor $f_{tor,k} / R_{tor,k} \geq 1,5$ was fulfilled for all screw types.

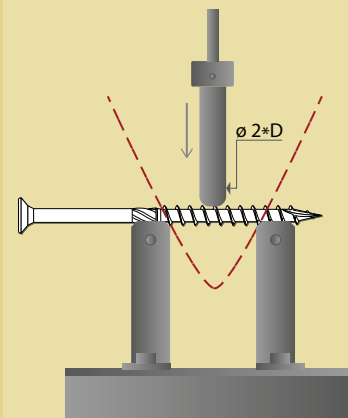
The screws have been tested in accordance with the recommendations of EAD 130118-01-0603, and the results have been checked and approved by EOTA, therefore CS, CT, WKT, WKW, CPW and CPS screws have the European Technical Assessment (ETA) and guarantee the highest quality and usability.



characteristic
torsional strength
 $f_{tor,k}$ (Nm)



screwing
torque
 $R_{tor,k}$ (Nmm)



bending angle (°)

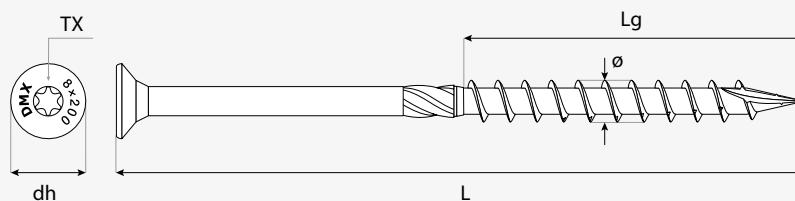
CS

Construction screw with flat head



Application Carpentry screws intended for joining wooden structural elements. They do not require drilling and fully replace construction nails. They have a tightening effect. They are available in lengths up to 400 mm, and the length marking is located on the screw head, making work easier. The deep allows better transfer of the driving force and prevents the bit from jumping out. CS carpentry screws are perfect for wooden construction and carpentry, frame constructions, hall constructions, etc.

Material Hardened carbon steel + yellow galvanization.



ø	name	coat.	art no.	dimensions [mm]				TX	weight [g]	packaging
				ø	L	Lg	dh			
ø3	CS 30030	●	310003	3,0	30	18	6	10	1,03	1 à 500 pcs
	CS 30035	●	3100035	3,0	35	20	6	10	1,16	1 à 500 pcs
	CS 30040	●	310004	3,0	40	24	6	10	1,26	1 à 500 pcs
ø3,5	CS 35030	●	310103	3,5	30	18	7	15	1,40	1 à 200 pcs
	CS 35035	●	3101035	3,5	35	18	7	15	1,60	1 à 200 pcs
	CS 35040	●	310104	3,5	40	18	7	15	1,80	1 à 200 pcs
	CS 35045	●	3101045	3,5	45	24	7	15	2,05	1 à 200 pcs
ø4	CS 35050	●	310105	3,5	50	24	7	15	2,30	1 à 200 pcs
	CS 40030	●	310403	4,0	30	18	8	20	1,90	1 à 200 pcs
	CS 40035	●	3104035	4,0	35	18	8	20	2,15	1 à 200 pcs
	CS 40040	●	310404	4,0	40	24	8	20	2,44	1 à 200 pcs
	CS 40045	●	3104045	4,0	45	30	8	20	2,63	1 à 200 pcs
	CS 40050	●	310405	4,0	50	30	8	20	2,87	1 à 200 pcs
	CS 40060	●	310406	4,0	60	35	8	20	3,20	1 à 200 pcs
	CS 40070	●	310407	4,0	70	40	8	20	3,71	1 à 200 pcs
ø4,5	CS 40080	●	310408	4,0	80	40	8	20	4,21	1 à 200 pcs
	CS 45030	●	310203	4,5	30	18	9	20	2,34	1 à 200 pcs
	CS 45035	●	3102035	4,5	35	18	9	20	2,66	1 à 200 pcs
	CS 45040	●	310204	4,5	40	24	9	20	2,99	1 à 200 pcs
	CS 45045	●	3102045	4,5	45	30	9	20	3,29	1 à 200 pcs
	CS 45050	●	310205	4,5	50	30	9	20	3,67	1 à 200 pcs
	CS 45060	●	310206	4,5	60	35	9	20	4,31	1 à 200 pcs
	CS 45070	●	310207	4,5	70	40	9	20	4,96	1 à 200 pcs
ø5	CS 45080	●	310208	4,5	80	40	9	20	5,59	1 à 200 pcs
	CS 05040	●	310503	5,0	40	24	10	25	3,92	1 à 200 pcs
	CS 05045	●	310504	5,0	45	27	10	25	4,35	1 à 200 pcs
	CS 05050	●	310505	5,0	50	30	10	25	4,68	1 à 200 pcs
	CS 05060	●	310506	5,0	60	36	10	25	5,62	1 à 200 pcs
	CS 05070	●	310507	5,0	70	40	10	25	6,20	1 à 200 pcs
	CS 05080	●	310508	5,0	80	40	10	25	6,95	1 à 200 pcs
	CS 05090	●	310509	5,0	90	40	10	25	7,70	1 à 200 pcs
CS 05100	●	310510	5,0	100	60	10	25	9,10	1 à 100 pcs	
CS 05120	●	310512	5,0	120	60	10	25	10,35	1 à 100 pcs	

CS

Construction screw with flat head



ø	name	coat.	art no.	dimensions [mm]				TX	weight [g]	packaging	
				ø	L	Lg	dh				
ø6	CS 06040	●	310604	6,0	40	30	11	30	*	*	
	CS 06050	●	310605	6,0	50	30	11	30	*	*	
	CS 06060	●	310606	6,0	60	36	11	30	*	*	
	CS 06070	●	310607	6,0	70	40	11	30	9,42	1 à 200 pcs	
	CS 06080	●	310608	6,0	80	40	11	30	10,47	1 à 200 pcs	
	CS 06090	●	310609	6,0	90	50	11	30	*	*	
	CS 06100	●	310610	6,0	100	80	11	30	13,46	1 à 100 pcs	
	CS 06120	●	310612	6,0	120	80	11	30	15,37	1 à 100 pcs	
	CS 06140	●	310614	6,0	140	80	11	30	18,00	1 à 100 pcs	
	CS 06160	●	310616	6,0	160	80	11	30	20,20	1 à 100 pcs	
	CS 06180	●	310618	6,0	180	80	11	30	22,10	1 à 100 pcs	
	CS 06200	●	310620	6,0	200	80	11	30	24,70	1 à 100 pcs	
	CS 06220	●	310622	6,0	220	80	11	30	27,00	1 à 100 pcs	
	CS 06240	●	310624	6,0	240	80	11	30	29,80	1 à 100 pcs	
	CS 06260	●	310626	6,0	260	80	11	30	31,00	1 à 100 pcs	
	CS 06280	●	310628	6,0	280	80	11	30	34,30	1 à 100 pcs	
	CS 06300	●	310630	6,0	300	80	11	30	36,50	1 à 100 pcs	
	ø8	CS 08050	●	310805	8,0	50	36	15	40	*	*
		CS 08060	●	310806	8,0	60	36	15	40	*	*
		CS 08070	●	310807	8,0	70	40	15	40	*	*
CS 08080		●	310808	8,0	80	40	15	40	18,33	1 à 100 pcs	
CS 08090		●	310809	8,0	90	50	15	40	*	*	
CS 08100		●	310810	8,0	100	60	15	40	22,70	1 à 100 pcs	
CS 08120		●	310812	8,0	120	80	15	40	27,20	1 à 50 pcs	
CS 08140		●	310814	8,0	140	80	15	40	31,53	1 à 50 pcs	
CS 08160		●	310816	8,0	160	80	15	40	35,60	1 à 50 pcs	
CS 08180		●	310818	8,0	180	100	15	40	40,27	1 à 50 pcs	
CS 08200		●	310820	8,0	200	100	15	40	45,30	1 à 50 pcs	
CS 08220		●	310822	8,0	220	100	15	40	48,08	1 à 50 pcs	
CS 08240		●	310824	8,0	240	100	15	40	52,50	1 à 50 pcs	
CS 08260		●	310826	8,0	260	100	15	40	57,50	1 à 50 pcs	
CS 08280		●	310828	8,0	280	100	15	40	62,13	1 à 50 pcs	
CS 08300		●	310830	8,0	300	100	15	40	65,00	1 à 50 pcs	
CS 08320		●	310832	8,0	320	100	15	40	67,50	1 à 50 pcs	
CS 08340		●	310834	8,0	340	100	15	40	73,50	1 à 50 pcs	
CS 08360		●	310836	8,0	360	100	15	40	79,47	1 à 50 pcs	
CS 08380		●	310838	8,0	380	100	15	40	83,27	1 à 50 pcs	
CS 08400	●	310840	8,0	400	100	15	40	87,67	1 à 50 pcs		
ø10	CS 10120	●	311012	10,0	120	80	18	40	40,40	1 à 50 pcs	
	CS 10140	●	311014	10,0	140	80	18	40	46,87	1 à 50 pcs	
	CS 10160	●	311016	10,0	160	80	18	40	53,00	1 à 50 pcs	
	CS 10180	●	311018	10,0	180	80	18	40	59,07	1 à 50 pcs	
	CS 10200	●	311020	10,0	200	80	18	40	65,13	1 à 50 pcs	
	CS 10220	●	311022	10,0	220	80	18	40	71,00	1 à 50 pcs	
	CS 10240	●	311024	10,0	240	80	18	40	78,13	1 à 50 pcs	
	CS 10260	●	311026	10,0	260	80	18	40	84,07	1 à 50 pcs	
	CS 10280	●	311028	10,0	280	80	18	40	90,33	1 à 50 pcs	
	CS 10300	●	311030	10,0	300	80	18	40	95,40	1 à 50 pcs	
CS 10320	●	311032	10,0	320	80	18	40	102,70	1 à 50 pcs		
CS 10340	●	311034	10,0	340	80	18	40	108,60	1 à 50 pcs		
CS 10360	●	311036	10,0	360	80	18	40	114,80	1 à 50 pcs		
CS 10380	●	311038	10,0	380	80	18	40	121,20	1 à 50 pcs		
CS 10400	●	311040	10,0	400	80	18	40	129,50	1 à 50 pcs		

* Information available directly from the seller.

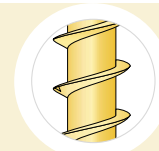
coating:

- yellow galvanization



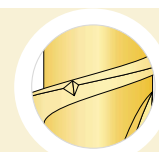
IMPROVED SMOOTH CUTTER

- ▶ the cutter is responsible for widening the hole in the fastened element
- ▶ new cutter shape eliminates chip clogging, resulting in less frictional forces
- ▶ reduced tightening torque



NEW EXTENDED THREAD

- ▶ change of thread length from 80 to 100 mm
- ▶ smaller thread pitch
- ▶ a longer thread combined with a reduced pitch gives more turns, resulting in greater pull-out strength made of wood and lower torque



CUTTING NOTCH

- ▶ the cutting notch is along the entire length of the thread
- ▶ is responsible for breaking the chip and cutting the wood structure during screwing

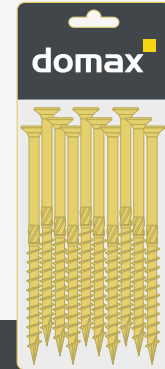
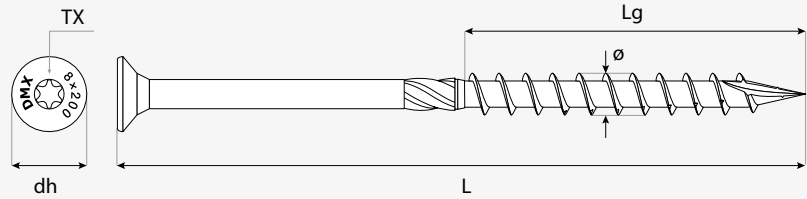


DRILLING TIP

- ▶ enables light screwing without pre-drilling

CS

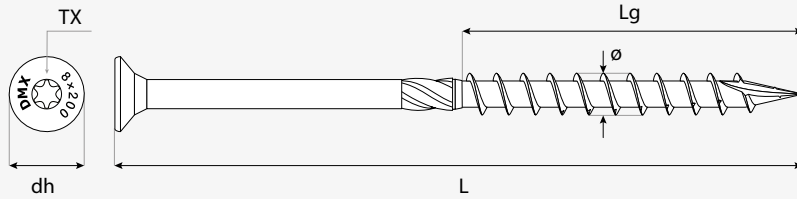
Construction screw with flat head



blisters

ø	name	coat.	art no.	dimensions [mm]				TX	weight [g]	packaging
				ø	L	Lg	dh			
ø3,5	CS 35030	●	3410103	3,5	30	18	7	15	64,60	40 à 10 pcs
	CS 35040	●	3410104	3,5	40	18	7	15	41,10	20 à 10 pcs
	CS 35050	●	3410105	3,5	50	24	7	15	49,80	20 à 10 pcs
ø4	CS 40030	●	3410403	4,0	30	18	8	20	36,00	20 à 10 pcs
	CS 40040	●	3410404	4,0	40	24	8	20	48,72	20 à 10 pcs
	CS 40050	●	3410405	4,0	50	30	8	20	54,40	20 à 10 pcs
	CS 40060	●	3410406	4,0	60	35	8	20	65,20	20 à 10 pcs
	CS 40070	●	3410407	4,0	70	40	8	20	74,90	20 à 10 pcs
	CS 40080	●	3410408	4,0	80	40	8	20	84,60	20 à 10 pcs
ø5	CS 05040	●	3410503	5,0	40	24	10	25	39,20	10 à 10 pcs
	CS 05050	●	3410505	5,0	50	30	10	25	46,80	10 à 10 pcs
	CS 05060	●	3410506	5,0	60	36	10	25	56,20	10 à 10 pcs
	CS 05070	●	3410507	5,0	70	40	10	25	63,70	10 à 10 pcs
	CS 05080	●	3410508	5,0	80	40	10	25	72,30	10 à 10 pcs
ø6	CS 05100	●	3410510	5,0	100	60	10	25	91,00	10 à 10 pcs
	CS 05120	●	3410512	5,0	120	60	10	25	108,30	10 à 10 pcs
	CS 06070	●	3410607	6,0	70	40	11	30	75,36	8 à 10 pcs
	CS 06080	●	3410608	6,0	80	40	11	30	83,76	8 à 10 pcs
	CS 06100	●	3410610	6,0	100	80	12	30	105,60	8 à 10 pcs
	CS 06120	●	3410612	6,0	120	80	12	30	122,96	8 à 10 pcs
	CS 06140	●	3410614	6,0	140	80	12	30	145,60	8 à 10 pcs
	CS 06160	●	3410616	6,0	160	80	12	30	162,40	8 à 10 pcs
	CS 06180	●	3410618	6,0	180	80	12	30	180,80	8 à 10 pcs
	CS 06200	●	3410620	6,0	200	80	12	30	198,40	8 à 10 pcs
ø8	CS 06220	●	3410622	6,0	220	80	12	30	164,58	6 à 10 pcs
	CS 06240	●	3410624	6,0	240	80	12	30	178,62	6 à 10 pcs
	CS 06260	●	3410626	6,0	260	80	12	30	193,80	6 à 10 pcs
	CS 08080	●	3410808	8,0	80	55	15	40	109,98	6 à 10 pcs
	CS 08100	●	3410810	8,0	100	55	15	40	136,20	6 à 10 pcs
	CS 08120	●	3410812	8,0	120	80	15	40	108,80	4 à 10 pcs
	CS 08140	●	3410814	8,0	140	80	15	40	126,12	4 à 10 pcs
	CS 08160	●	3410816	8,0	160	80	15	40	142,40	4 à 10 pcs
	CS 08180	●	3410818	8,0	180	100	15	40	161,08	4 à 10 pcs
	CS 08200	●	3410820	8,0	200	100	15	40	177,60	4 à 10 pcs
ø8	CS 08220	●	3410822	8,0	220	100	15	40	194,12	4 à 10 pcs
	CS 08240	●	3410824	8,0	240	100	15	40	213,32	4 à 10 pcs
	CS 08260	●	3410826	8,0	260	100	15	40	230,40	4 à 10 pcs

coating:
● yellow galvanization



CS

Construction screw
with flat head



boxes

ø	name	coat.	art no.	dimensions [mm]				TX	weight [g]
				ø	L	Lg	dh		
ø3	CS 30030	●	315 0003	3,0	30	18	6	10	5 000
	CS 30035	●	315 00035	3,0	35	20	6	10	5 000
	CS 30040	●	315 0004	3,0	40	24	6	10	5 000
ø3,5	CS 35030	●	3150103	3,5	30	18	7	15	5 000
	CS 35035	●	31501035	3,5	35	18	7	15	5 000
	CS 35040	●	3150104	3,5	40	18	7	15	5 000
	CS 35045	●	31501045	3,5	45	24	7	15	5 000
	CS 35050	●	3150105	3,5	50	24	7	15	5 000
ø4	CS 40030	●	3150403	4,0	30	18	8	20	5 000
	CS 40035	●	31504035	4,0	35	18	8	20	5 000
	CS 40040	●	3150404	4,0	40	24	8	20	5 000
	CS 40045	●	31504045	4,0	45	30	8	20	5 000
	CS 40050	●	3150405	4,0	50	30	8	20	5 000
	CS 40060	●	3150406	4,0	60	35	8	20	5 000
	CS 40070	●	3150407	4,0	70	40	8	20	5 000
ø4,5	CS 45030	●	3150203	4,5	30	18	9	20	5 000
	CS 45035	●	31502035	4,5	35	18	9	20	5 000
	CS 45040	●	3150204	4,5	40	24	9	20	5 000
	CS 45045	●	31502045	4,5	45	30	9	20	5 000
	CS 45050	●	3150205	4,5	50	30	9	20	5 000
	CS 45060	●	3150206	4,5	60	35	9	20	5 000
	CS 45070	●	3150207	4,5	70	40	9	20	5 000
	CS 45080	●	3150208	4,5	80	40	9	20	5 000
ø5	CS 05040	●	3150503	5,0	40	24	10	25	5 000
	CS 05045	●	3150504	5,0	45	27	10	25	5 000
	CS 05050	●	3150505	5,0	50	30	10	25	5 000
	CS 05060	●	3150506	5,0	60	36	10	25	5 000
	CS 05070	●	3150507	5,0	70	40	10	25	5 000
	CS 05080	●	3150508	5,0	80	40	10	25	5 000
	CS 05090	●	3150509	5,0	90	40	10	25	5 000
	CS 05100	●	3150510	5,0	100	60	10	25	5 000
ø6	CS 06070	●	3150607	6,0	70	40	11	30	5 000
	CS 06080	●	3150608	6,0	80	40	11	30	5 000

coating:

● yellow galvanization



TIGHTENING ACTION



CS

Construction screw with flat head



TECHNICAL DATA

CS					
	$f_{ax,k}$ (N/mm ²) – radial to the wood grain	$f_{head,k}$ (N/mm ²) – radial to the wood grain	$f_{tens,k}$ (kN)	$f_{tor,k}/R_{tor,k}$	
3,5	30–40	7,63 ¹⁾	16,89 ³⁾	4,04	3,94
	45–50	12,03 ¹⁾	16,89 ³⁾	4,04	3,94
4,0	30–35	6,85 ¹⁾	13,89 ³⁾	5,12	4,93
	40–60	12,44 ¹⁾	13,89 ³⁾	5,12	4,93
	70–80	14,7 ¹⁾	13,89 ³⁾	5,12	4,93
4,5	30–40	9,91 ¹⁾	14,59 ³⁾	5,94	3,85
	45–60	11,54 ¹⁾	14,59 ³⁾	5,94	3,85
	70–80	14,85 ¹⁾	14,59 ³⁾	5,94	3,85
5,0	40	8,21 ¹⁾	15,41 ³⁾	8,83	4,25
	45	11,85 ¹⁾	15,41 ³⁾	8,83	4,25
	50–90	10,91 ¹⁾	15,41 ³⁾	8,83	4,25
	100–120	18,93 ¹⁾	15,41 ³⁾	8,83	4,25
6,0	70–80	13,92 ¹⁾	10,06 ³⁾	13,62	3,60
	100–300	22,42 ¹⁾	10,06 ³⁾	13,62	3,60
	80–100	14,39 ¹⁾	19,47 ³⁾	20,57	7,37
8,0	120–160	18,45 ¹⁾	11,90 ³⁾	23,17	4,75
	180–400	22,05 ¹⁾	11,90 ³⁾	23,17	4,75
10,0	120–400	12,15 ²⁾	17,60 ⁴⁾	23,80	2,10

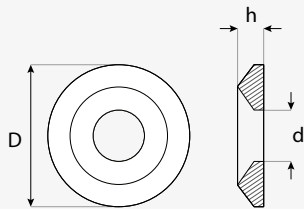
¹⁾ at $g=350 \text{ kg/m}^3$

²⁾ at $g=450 \text{ kg/m}^3$

³⁾ at $g=380 \text{ kg/m}^3$

⁴⁾ at $g=515 \text{ kg/m}^3$

Application Pressure washer, used for carpentry screws with countersunk head.
Material Hardened carbon steel + yellow galvanization.



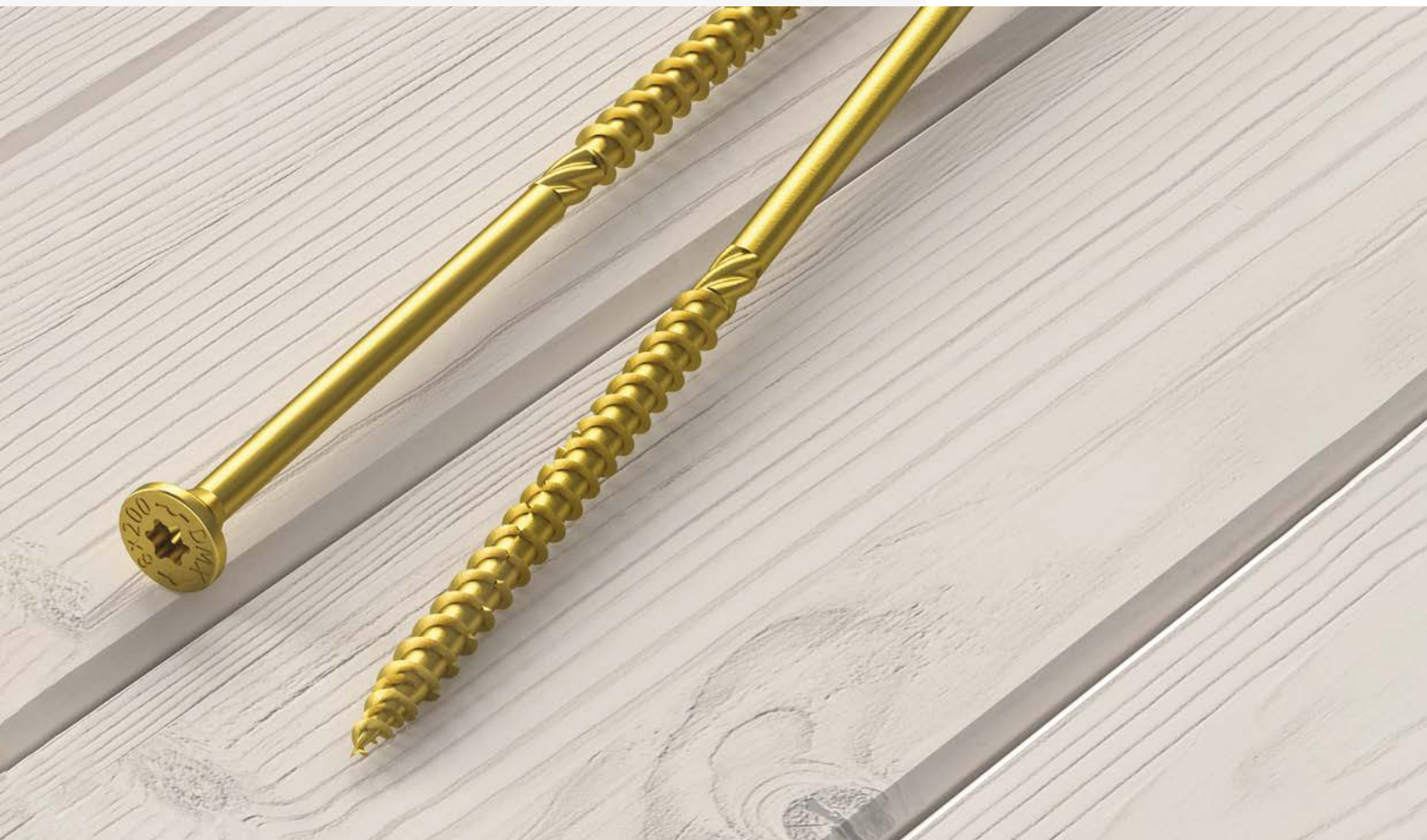
name	coat.	art no.	dimensions [mm]			weight [g]	packaging
			d	D	h		
PTS 6	●	3920	7,5	19,5	4,6	7,27	1 à 100 pcs
PTS 8	●	3921	8,5	24,5	5,4	13,33	1 à 100 pcs
PTS 10	●	3922	10,8	30,0	6,6	25,53	1 à 100 pcs

coating:

- yellow galvanization

PTS

Turned conical washer



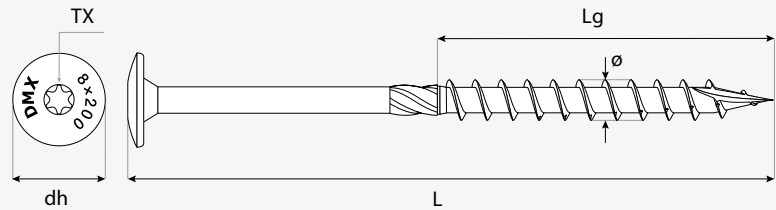
CT

Construction screw with wafer head



Application Carpentry screws with wafer head available with one of the smallest diameters on the market, intended for connecting wooden structural elements. They do not require drilling and fully replace construction nails. They have a tightening effect. They are available in lengths up to 400 mm, and the length marking is located on the screw head, making work easier. The deep TORX socket allows better transfer of the driving force and prevents the bit from jumping out. They are perfect for wooden construction and carpentry, frame constructions, hall constructions, etc.

Material Hardened carbon steel + yellow galvanization.



ø	name	coat.	art no.	dimensions [mm]				TX	weight [g]	packaging
				ø	L	Lg	dh			
ø5	CT 05040	●	320503	5,0	40	24	13	25	4,25	1 à 200 pcs
	CT 05045	●	320504	5,0	45	27	13	25	4,64	1 à 200 pcs
	CT 05050	●	320505	5,0	50	30	13	25	5,02	1 à 200 pcs
	CT 05060	●	320506	5,0	60	36	13	25	5,79	1 à 200 pcs
	CT 05070	●	320507	5,0	70	40	13	25	6,57	1 à 200 pcs
	CT 05080	●	320508	5,0	80	40	13	25	7,38	1 à 200 pcs
	CT 05090	●	320509	5,0	90	40	13	25	8,24	1 à 150 pcs
	CT 05100	●	320510	5,0	100	60	13	25	8,98	1 à 100 pcs
	CT 05120	●	320512	5,0	120	60	13	25	10,63	1 à 100 pcs
	CT 06040	●	320604	6,0	40	30	16	30	*	*
	CT 06050	●	320605	6,0	50	30	16	30	*	*
	CT 06060	●	320606	6,0	60	36	16	30	*	*
ø6	CT 06070	●	320607	6,0	70	40	16	30	10,16	1 à 100 pcs
	CT 06080	●	320608	6,0	80	40	16	30	11,42	1 à 100 pcs
	CT 06090	●	320609	6,0	90	50	16	30	*	*
	CT 06100	●	320610	6,0	100	80	15	30	14,80	1 à 100 pcs
	CT 06120	●	320612	6,0	120	80	15	30	16,31	1 à 100 pcs
	CT 06140	●	320614	6,0	140	80	15	30	18,87	1 à 100 pcs
	CT 06160	●	320616	6,0	160	80	15	30	20,85	1 à 100 pcs
	CT 06180	●	320618	6,0	180	80	15	30	23,20	1 à 100 pcs
	CT 06200	●	320620	6,0	200	80	15	30	25,80	1 à 100 pcs
	CT 06220	●	320622	6,0	220	80	15	30	27,80	1 à 100 pcs
	CT 06240	●	320624	6,0	240	80	15	30	30,50	1 à 100 pcs
	CT 06260	●	320626	6,0	260	80	15	30	32,80	1 à 100 pcs
CT 06280	●	320628	6,0	280	80	15	30	37,00	1 à 50 pcs	
CT 06300	●	320630	6,0	300	80	15	30	38,90	1 à 50 pcs	



see tutorial video



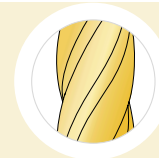
CT »

Construction screw with wafer head



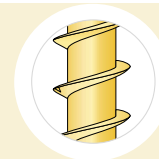
PLATE HEAD

- ▶ recognizable appearance
- ▶ one of the smallest diameters on the market (discreet mounting)
- ▶ meets the standards for pulling the head



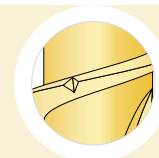
IMPROVED SMOOTH CUTTER

- ▶ the cutter is responsible for widening the hole in the fastened element
- ▶ new cutter shape eliminates chip clogging, resulting in less frictional forces
- ▶ reduced tightening torque



NEW EXTENDED THREAD

- ▶ change of thread length from 80 to 100 mm
- ▶ smaller thread pitch
- ▶ a longer thread combined with a reduced pitch gives more turns, resulting in greater pull-out strength made of wood and lower torque

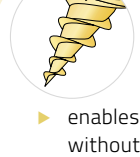


CUTTING NOTCH

- ▶ the cutting notch is along the entire length of the thread
- ▶ is responsible for breaking the chip and cutting the wood structure during screwing



DRILLING TIP



- ▶ enables light screwing without pre-drilling

ø	name	coat.	art no.	dimensions [mm]				TX	weight [g]	packaging
				ø	L	Lg	dh			
	CT 08050	●	320803	8,0	50	36	20	40	*	*
	CT 08060	●	320806	8,0	60	36	20	40	*	*
	CT 08070	●	320807	8,0	70	40	20	40	*	*
	CT 08080	●	320808	8,0	80	40	20	40	22,87	1 à 50 pcs
	CT 08090	●	320809	8,0	90	50	20	40	*	*
	CT 08100	●	320810	8,0	100	60	20	40	26,80	1 à 50 pcs
	CT 08120	●	320812	8,0	120	80	20	40	30,47	1 à 50 pcs
	CT 08140	●	320814	8,0	140	80	20	40	34,87	1 à 50 pcs
	CT 08160	●	320816	8,0	160	80	20	40	39,53	1 à 50 pcs
	CT 08180	●	320818	8,0	180	100	20	40	44,07	1 à 50 pcs
ø8	CT 08200	●	320820	8,0	200	100	20	40	48,33	1 à 50 pcs
	CT 08220	●	320822	8,0	220	100	20	40	52,87	1 à 50 pcs
	CT 08240	●	320824	8,0	240	100	20	40	57,27	1 à 50 pcs
	CT 08260	●	320826	8,0	260	100	20	40	61,00	1 à 50 pcs
	CT 08280	●	320828	8,0	280	100	20	40	64,50	1 à 50 pcs
	CT 08300	●	320830	8,0	300	100	20	40	68,50	1 à 50 pcs
	CT 08320	●	320832	8,0	320	100	20	40	73,40	1 à 50 pcs
	CT 08340	●	320834	8,0	340	100	20	40	75,60	1 à 50 pcs
	CT 08360	●	320836	8,0	360	100	20	40	81,30	1 à 50 pcs
	CT 08380	●	320838	8,0	380	100	20	40	86,00	1 à 50 pcs
	CT 08400	●	320840	8,0	400	100	20	40	91,20	1 à 50 pcs
	CT 10120	●	321012	10,0	120	80	24	40	44,67	1 à 50 pcs
	CT 10140	●	321014	10,0	140	80	24	40	51,60	1 à 50 pcs
	CT 10160	●	321016	10,0	160	80	24	40	56,93	1 à 50 pcs
	CT 10180	●	321018	10,0	180	80	24	40	63,27	1 à 50 pcs
	CT 10200	●	321020	10,0	200	80	24	40	69,73	1 à 50 pcs
	CT 10220	●	321022	10,0	220	80	24	40	75,73	1 à 50 pcs
	CT 10240	●	321024	10,0	240	80	24	40	84,93	1 à 25 pcs
ø10	CT 10260	●	321026	10,0	260	80	24	40	92,40	1 à 25 pcs
	CT 10280	●	321028	10,0	280	80	24	40	97,73	1 à 25 pcs
	CT 10300	●	321030	10,0	300	80	24	40	103,20	1 à 25 pcs
	CT 10320	●	321032	10,0	320	80	24	40	109,87	1 à 25 pcs
	CT 10340	●	321034	10,0	340	80	24	40	115,20	1 à 25 pcs
	CT 10360	●	321036	10,0	360	80	24	40	122,40	1 à 25 pcs
	CT 10380	●	321038	10,0	380	80	24	40	128,27	1 à 25 pcs
	CT 10400	●	321040	10,0	400	80	24	40	134,53	1 à 25 pcs

* Information available directly from the seller.

coating:

- yellow galvanization

CT

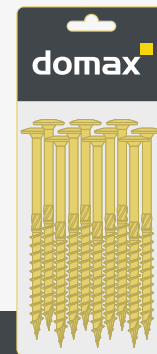
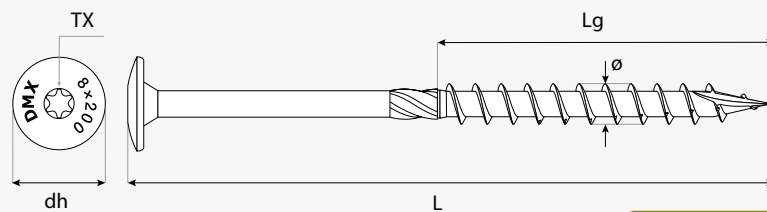
Construction screw with wafer head



▶ CONNECTING RAFTERS WITH PURLINS



TIGHTENING ACTION



blisters										
ø	name	coat.	art no.	dimensions [mm]				TX	weight [g]	packaging
				ø	L	Lg	dh			
ø6	CT 06070	●	3420607	6,0	70	40	16	30	81,28	8 à 10 pcs
	CT 06080	●	3420608	6,0	80	40	16	30	91,36	8 à 10 pcs
	CT 06100	●	3420610	6,0	100	80	15	30	110,80	8 à 10 pcs
	CT 06120	●	3420612	6,0	120	80	15	30	130,48	8 à 10 pcs
	CT 06140	●	3420614	6,0	140	80	15	30	150,96	8 à 10 pcs
	CT 06160	●	3420616	6,0	160	80	15	30	169,84	8 à 10 pcs
	CT 06180	●	3420618	6,0	180	80	15	30	189,92	8 à 10 pcs
	CT 06200	●	3420620	6,0	200	80	15	30	156,48	6 à 10 pcs
	CT 06220	●	3420622	6,0	220	80	15	30	171,18	6 à 10 pcs
	CT 06240	●	3420624	6,0	240	80	15	30	180,00	6 à 10 pcs
ø8	CT 06260	●	3420626	6,0	260	80	15	30	199,74	6 à 10 pcs
	CT 08080	●	3420808	8,0	80	55	20	40	137,22	6 à 10 pcs
	CT 08100	●	3420810	8,0	100	55	20	40	160,80	6 à 10 pcs
	CT 08120	●	3420812	8,0	120	80	20	40	121,88	4 à 10 pcs
	CT 08140	●	3420814	8,0	140	80	20	40	139,48	4 à 10 pcs
	CT 08160	●	3420816	8,0	160	80	20	40	158,12	4 à 10 pcs
	CT 08180	●	3420818	8,0	180	100	20	40	176,28	4 à 10 pcs
	CT 08200	●	3420820	8,0	200	100	20	40	193,32	4 à 10 pcs
	CT 08260	●	3420826	8,0	260	100	20	40	247,20	4 à 10 pcs

coating:
● yellow galvanization

CT

Construction screw
with wafer head



▶ CONNECTING THE SUPPORTING BEAM TO THE SECONDARY BEAM

▶ CONNECTING THE WOODEN ELEMENTS OF THE CEILING



TECHNICAL DATA

CT	Diagram 1: Pull-out strength		Diagram 2: Head pull-through strength		Diagram 3: Tension resistance		Diagram 4: Torsional resistance	
	f_{axk} (N/mm ²) – radial to the wood grain	f_{headk} (N/mm ²) – radial to the wood grain	$f_{tens,k}$ (kN)	Ratio of torsional resistance to screwing torque $f_{tor,k}/R_{tor,k}$				
6,0	40	8,21 ¹⁾	29,32 ³⁾	8,83	4,25			
	45	11,85 ¹⁾	29,32 ³⁾	8,83	4,25			
	50–90	10,91 ¹⁾	29,32 ³⁾	8,83	4,25			
	100–120	18,93 ¹⁾	29,32 ³⁾	8,83	4,25			
6,0	70–160	13,92 ¹⁾	24,74 ³⁾	13,31	3,76			
	180–300	17,85 ¹⁾	24,74 ³⁾	13,31	3,76			
8,0	80–140	14,39 ¹⁾	16,31 ³⁾	23,17	4,75			
	160–220	18,45 ¹⁾	16,31 ³⁾	23,17	4,75			
	240–400	22,05 ¹⁾	16,31 ³⁾	23,17	4,75			
10,0	120–400	14,55 ²⁾	22,85 ⁴⁾	32,00	2,80			

¹⁾ at $g=350 \text{ kg/m}^3$

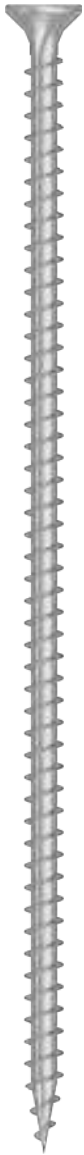
²⁾ at $g=500 \text{ kg/m}^3$

³⁾ at $g=380 \text{ kg/m}^3$

⁴⁾ at $g=515 \text{ kg/m}^3$

CPS

Full threaded screw with flat head



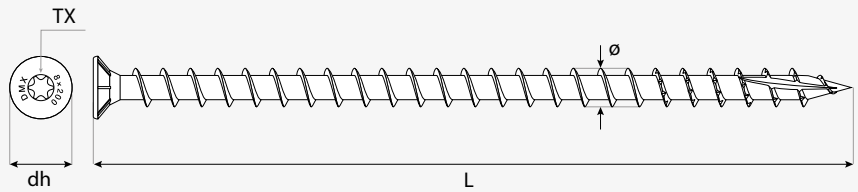
see tutorial video

Application

Carpentry screws with a full thread and a countersunk head, designed for connecting wooden structural elements. Unlike partial-thread screws, which are mainly used for tightening elements, the full-thread screw strengthens and stiffens wooden elements, so that additional fasteners are no longer required. The advantage of countersunk head screws is the possibility of using them in structures using steel sheets. In addition, the deep TX socket allows for reliable torque transfer, and the high-strength carbon steel ensures excellent performance.

Material

Hardened carbon steel + silver galvanization.

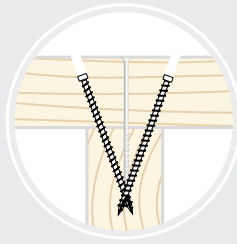
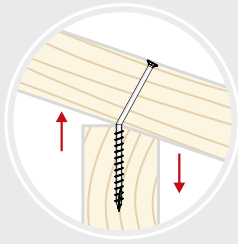


ø	name	coat.	art no.	dimensions [mm]			TX	weight [g]	packaging
				ø	L	dh			
ø8	CPS 08180	●	3510818	8,0	180	15	40	39,78	1 à 50 pcs
	CPS 08200	●	3510820	8,0	200	15	40	44,06	1 à 50 pcs
	CPS 08220	●	3510822	8,0	220	15	40	47,93	1 à 50 pcs
	CPS 08240	●	3510824	8,0	240	15	40	52,03	1 à 50 pcs
	CPS 08260	●	3510826	8,0	260	15	40	56,24	1 à 50 pcs
	CPS 08280	●	3510828	8,0	280	15	40	60,20	1 à 50 pcs
	CPS 08300	●	3510830	8,0	300	15	40	64,07	1 à 50 pcs
	CPS 08320	●	3510832	8,0	320	15	40	69,15	1 à 50 pcs
	CPS 08340	●	3510834	8,0	340	15	40	72,63	1 à 50 pcs
	CPS 08360	●	3510836	8,0	360	15	40	76,94	1 à 50 pcs
	CPS 08380	●	3510838	8,0	380	15	40	81,00	1 à 50 pcs
	CPS 08400	●	3510840	8,0	400	15	40	84,86	1 à 50 pcs
	CPS 08450	●	3510845	8,0	450	15	40	95,02	1 à 50 pcs
	CPS 08500	●	3510850	8,0	500	15	40	106,50	1 à 50 pcs
ø10	CPS 10180	●	3511018	10,0	180	18,5	50	57,77	1 à 50 pcs
	CPS 10200	●	3511020	10,0	200	18,5	50	64,16	1 à 50 pcs
	CPS 10220	●	3511022	10,0	220	18,5	50	69,16	1 à 50 pcs
	CPS 10240	●	3511024	10,0	240	18,5	50	75,42	1 à 50 pcs
	CPS 10260	●	3511026	10,0	260	18,5	50	84,29	1 à 50 pcs
	CPS 10280	●	3511028	10,0	280	18,5	50	87,46	1 à 50 pcs
	CPS 10300	●	3511030	10,0	300	18,5	50	93,27	1 à 50 pcs
	CPS 10320	●	3511032	10,0	320	18,5	50	99,64	1 à 50 pcs
	CPS 10340	●	3511034	10,0	340	18,5	50	105,52	1 à 50 pcs
	CPS 10360	●	3511036	10,0	360	18,5	50	110,15	1 à 50 pcs
	CPS 10380	●	3511038	10,0	380	18,5	50	117,44	1 à 50 pcs
CPS 10400	●	3511040	10,0	400	18,5	50	123,67	1 à 50 pcs	
CPS 10450	●	3511045	10,0	450	18,5	50	138,58	1 à 50 pcs	
CPS 10500	●	3511050	10,0	500	18,5	50	152,80	1 à 50 pcs	

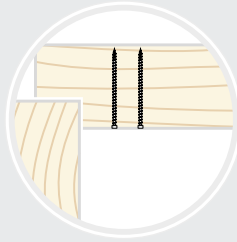
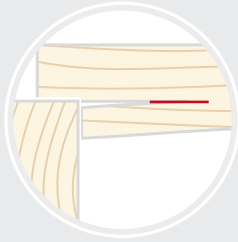
coating:
● silver galvanization

CPS

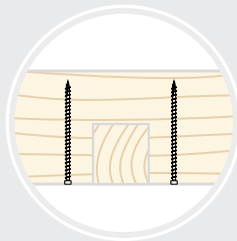
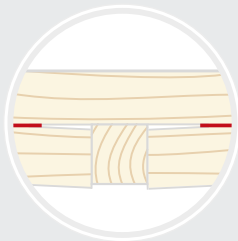
Full threaded screw with flat head



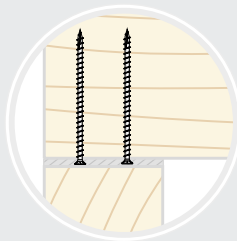
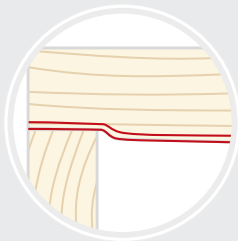
► STRENGTHENING THE ANGULAR JOINT



► PREVENTION OF CRACKING ON THE CUT LINE



► STRENGTHENING THE SUSPENDED LOAD



► PREVENTING COMPRESSION PERPENDICULAR TO THE FIBERS



- full thread – optimally transfers loads between connected elements (both in the case of compressive and tensile forces)
- full-thread screws, as opposed to screws with partial thread, exhibit limited movement, high stiffness and reduced ductility
- universal in use, they are perfect for both industry and crafts

TECHNICAL DATA

CPS	Diagram 1: Pull-out strength		Diagram 2: Head pull-through strength		Diagram 3: Tension resistance		Diagram 4: Torsional resistance	
	Ø	Length [mm]	Characteristic pull-out strength f_{axk} (N/mm ²) – radial to the wood grain	Characteristic head pull-through strength $f_{\text{head,k}}$ (N/mm ²) – radial to the wood grain	Characteristic tension resistance $f_{\text{tens,k}}$ (kN)	Ratio of torsional resistance to screwing torque $f_{\text{tor,k}}/R_{\text{tor,k}}$		
	6,0	100–280	16,95 ¹⁾	27,16 ²⁾	12,80	5,50		
	8,0	180–500	11,00 ¹⁾	9,40 ¹⁾	21,00	24,00 ³⁾		
	10,0	180–500	10,00 ¹⁾	9,40 ¹⁾	24,00	39,00 ³⁾		

¹⁾ at $g=350 \text{ kg/m}^3$

²⁾ at $g=380 \text{ kg/m}^3$

³⁾ characteristic torsional strength $f_{\text{tor,k}}$ [Nm]



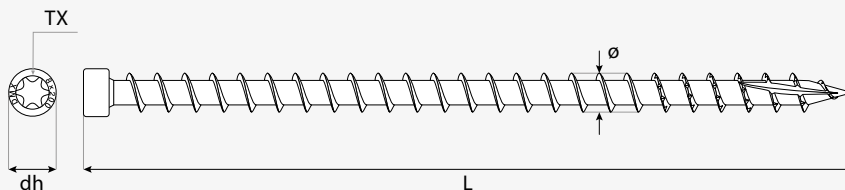
CPW

Full threaded screw with cylindrical head



Application Carpentry screws with full thread and cylindrical head, designed for joining wooden structural elements. Unlike partial-thread screws, which are mainly used for tightening elements, the full-thread screw strengthens and stiffens wooden elements, so that additional fasteners are no longer required. Another advantage of the CPW screws is that the cylindrical head is hidden in the wood and the connection is completely invisible, which is not possible with other fasteners. In addition, the deep TX socket allows for reliable torque transfer, and the high-strength carbon steel ensures excellent performance.

Material Hardened carbon steel + silver galvanization.

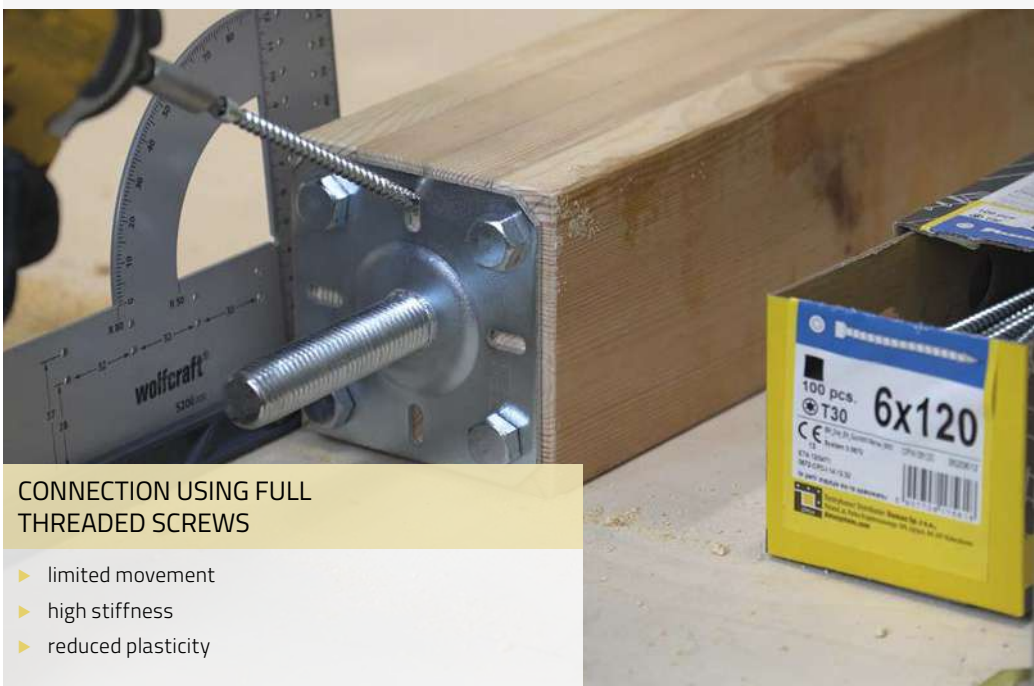


ø	name	coat.	art no.	dimensions [mm]			TX	weight [g]	packaging
				ø	L	dh			
	CPW 06100	●	3520610	6,0	100	8	30	12,40	1 à 100 pcs
	CPW 06120	●	3520612	6,0	120	8	30	15,20	1 à 100 pcs
	CPW 06140	●	3520614	6,0	140	8	30	17,31	1 à 100 pcs
	CPW 06160	●	3520616	6,0	160	8	30	19,83	1 à 100 pcs
	CPW 06180	●	3520618	6,0	180	8	30	21,88	1 à 100 pcs
ø	CPW 06200	●	3520620	6,0	200	8	30	23,61	1 à 100 pcs
	CPW 06220	●	3520622	6,0	220	8	30	26,40	1 à 100 pcs
	CPW 06240	●	3520624	6,0	240	8	30	28,60	1 à 100 pcs
	CPW 06260	●	3520626	6,0	260	8	30	30,90	1 à 100 pcs
	CPW 06280	●	3520628	6,0	280	8	30	33,10	1 à 100 pcs
	CPW 06300	●	3520630	6,0	300	8	30	34,35	1 à 100 pcs

coating:
● silver galvanization



see tutorial video



CONNECTION USING FULL THREADED SCREWS

- ▶ limited movement
- ▶ high stiffness
- ▶ reduced plasticity

CPW

Full threaded screw with cylindrical head



▶ CONNECTING WOODEN ELEMENTS WITHOUT ADDITIONAL CONNECTORS

▶ PREVENTION OF CRACKING ON THE CUT LINE

- ▶ full thread – optimally transfers loads between connected elements (both in the case of compressive and tensile forces)
- ▶ full-thread screws, as opposed to screws with partial thread, exhibit limited movement, high stiffness and reduced ductility
- ▶ the narrow cylinder head reduces the risk of cracking, too when mounting close to the edge
- ▶ universal in use, they are perfect for both industry and crafts

TECHNICAL DATA

CPW					
Ø	Length [mm]	Characteristic pull-out strength $f_{ax,k}$ (N/mm ²) – radial to the wood grain	Characteristic head pull-through strength $f_{head,k}$ (N/mm ²) – radial to the wood grain	Characteristic tension resistance $f_{tens,k}$ (kN)	Ratio of torsional resistance to screwing torque $f_{tor,k}/R_{tor,k}$
6,0	100–280	16,95 ¹⁾	60,98 ¹⁾	12,80	5,50

¹⁾ at $g=350\text{ kg/m}^3$



WKT

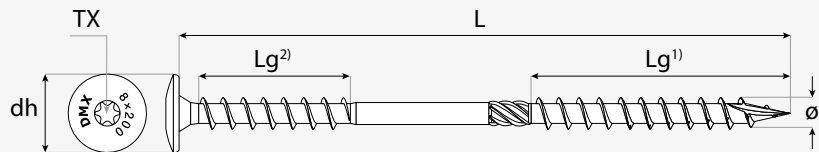
Double threaded insulation screw with wafer head



see tutorial video

Application Screws intended for over-rafter insulation systems for wooden structures. Double thread – longer for the rafters, shorter under the head for the counter batten – eliminates the problem of exerting excessive pressure on the insulation material. Thanks to the use of a special wide plate head, we obtain a larger clamping surface and joint strength. The drill tip allows light screwing without pre-drilling. The high pull-out strength allows the use of WKT screws also in many other wooden constructions.

Material Hardened carbon steel + silver galvanization.



ø	name	coat.	art no.	dimensions [mm]					TX	weight [g]	packaging
				ø	L	Lg ¹	Lg ²	dh			
ø8	WKT 08180	●	3320818	8,0	180	100	60	20	40	41,50	1 à 50 pcs
	WKT 08200	●	3320820	8,0	200	100	60	20	40	44,50	1 à 50 pcs
	WKT 08220	●	3320822	8,0	220	100	60	20	40	48,50	1 à 50 pcs
	WKT 08240	●	3320824	8,0	240	100	60	20	40	52,60	1 à 50 pcs
	WKT 08260	●	3320826	8,0	260	100	60	20	40	56,50	1 à 50 pcs
	WKT 08280	●	3320828	8,0	280	100	60	20	40	60,70	1 à 50 pcs
	WKT 08300	●	3320830	8,0	300	100	60	20	40	64,70	1 à 50 pcs
	WKT 08330	●	3320833	8,0	330	100	60	20	40	70,80	1 à 50 pcs
	WKT 08360	●	3320836	8,0	360	100	60	20	40	76,90	1 à 50 pcs
	WKT 08400	●	3320840	8,0	400	100	60	20	40	85,00	1 à 50 pcs

coating:
● silver galvanization

TECHNICAL DATA					
WKT					
ø	Length [mm]	Characteristic pull-out strength f_{axk} (N/mm ²) – radial to the wood grain	Characteristic head pull-through strength $f_{head,k}$ (N/mm ²) – radial to the wood grain	Characteristic tension resistance $f_{tens,k}$ (kN)	Ratio of torsional resistance to screwing torque $f_{tor,k}/R_{tor,k}$
8,0	180–400	22,05 ¹⁾	15,85 ²⁾	23,17	4,75

¹⁾ at $g=350 \text{ kg/m}^3$

²⁾ at $g=380 \text{ kg/m}^3$



WKT

Double threaded insulation screw with wafer head



FASTENING SOLAR SYSTEMS WITH RAFTER INSULATION

Application Template designed for precise screwing of carpentry screws into wooden structures at an angle of 45° or, after turning, 67°.



SW

Screwdriving template angle 45°/67°



name	art no.	dimensions		weight [g]	packaging
		< ₁	< ₂		
SW 45/67	3939	45°	67°	104	1 à 8 pcs

WKW

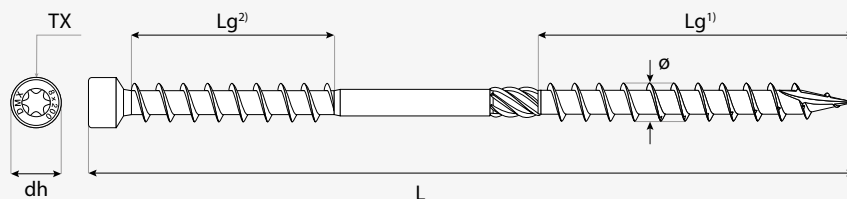
Double threaded insulation screw with cylindrical head



see tutorial video

Application Screws intended for over-rafter insulation systems for wooden structures. Double thread – longer for the rafters, shorter under the head for the counter batten – eliminates the problem of exerting excessive pressure on the insulation material. Thanks to the use of a small cylindrical head, we gain the possibility of inserting the screw at any angle in relation to the substrate. The head is hidden in the material, without the need to enlarge the hole beforehand, and the drilling tip allows light screwing without pre-drilling. The high pull-out strength allows the use of WKW screws also in many other wooden constructions.

Material Hardened carbon steel + silver galvanization.



ø	name	coat.	art no.	dimensions [mm]					TX	weight [g]	packaging
				ø	L	Lg ¹⁾	Lg ²⁾	dh			
8,0	WKW 08180	●	3310818	8,0	180	100	60	10,5	40	41,50	1 à 50 pcs
	WKW 08200	●	3310820	8,0	200	100	60	10,5	40	44,50	1 à 50 pcs
	WKW 08220	●	3310822	8,0	220	100	60	10,5	40	48,50	1 à 50 pcs
	WKW 08240	●	3310824	8,0	240	100	60	10,5	40	52,50	1 à 50 pcs
	WKW 08260	●	3310826	8,0	260	100	60	10,5	40	56,50	1 à 50 pcs
	WKW 08280	●	3310828	8,0	280	100	60	10,5	40	60,70	1 à 50 pcs
	WKW 08300	●	3310830	8,0	300	100	60	10,5	40	64,70	1 à 50 pcs
	WKW 08330	●	3310833	8,0	330	100	60	10,5	40	70,80	1 à 50 pcs
	WKW 08360	●	3310836	8,0	360	100	60	10,5	40	76,90	1 à 50 pcs
	WKW 08400	●	3310840	8,0	400	100	60	10,5	40	85,00	1 à 50 pcs

coating:
● silver galvanization

TECHNICAL DATA					
WKW					
ø	Length [mm]	Characteristic pull-out strength f_{axk} (N/mm ²) – radial to the wood grain	Characteristic head pull-through strength $f_{head,k}$ (N/mm ²) – radial to the wood grain	Characteristic tension resistance $f_{tens,k}$ (kN)	Ratio of torsional resistance to screwing torque $f_{tor,k}/R_{tor,k}$
8,0	180–400	22,05 ¹⁾	38,86 ²⁾	23,17	4,75

¹⁾ at $g=350 \text{ kg/m}^3$

²⁾ at $g=380 \text{ kg/m}^3$

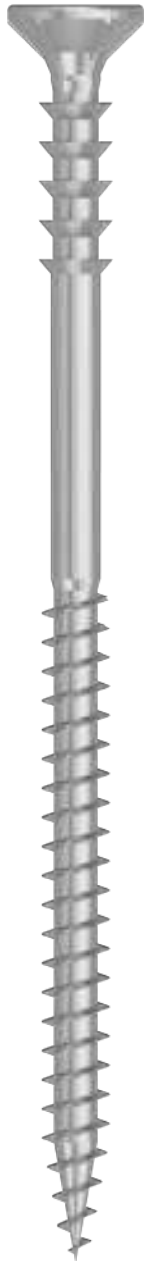
WKW

Double threaded
insulation screw
with cylindrical head



WDS

Distance screw with flat head



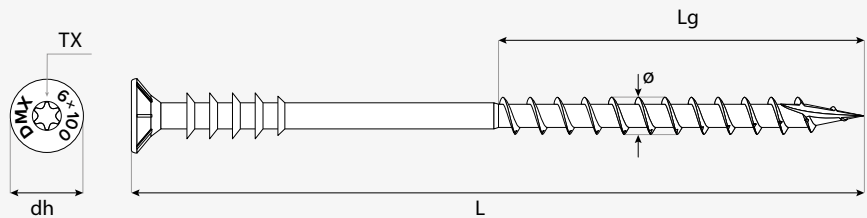
see tutorial video

Application

Distance screws with countersunk head can be widely used in various kinds of wood construction. They are perfect for renovating roofs with significant offsets in the slopes, leveling battens, as well as for fixing and setting the facade vertically. They have special rings under the head for material retention and more precise adjustment, and the distance between the elements can be modified by changing the screwing direction. Thanks to their versatile use, distance screws are widely used in wooden constructions.

Material

Hardened carbon steel + silver galvanization.



ø	name	coat.	art no.	dimensions [mm]				TX	weight [g]	packaging
				ø	L	Lg	dh			
ø6	WDS 06060	●	3390606	6,0	60	30	12	30	6,45	1 à 200 pcs
	WDS 06070	●	3390607	6,0	70	40	12	30	9,43	1 à 200 pcs
	WDS 06080	●	3390608	6,0	80	50	12	30	10,48	1 à 200 pcs
	WDS 06090	●	3390609	6,0	90	50	12	30	11,64	1 à 100 pcs
	WDS 06100	●	3390610	6,0	100	60	12	30	19,60	1 à 100 pcs
	WDS 06110	●	3390611	6,0	110	60	12	30	13,80	1 à 100 pcs
	WDS 06120	●	3390612	6,0	120	60	12	30	14,95	1 à 100 pcs
	WDS 06130	●	3390613	6,0	130	60	12	30	16,11	1 à 100 pcs
	WDS 06145	●	3390614	6,0	145	60	12	30	17,85	1 à 100 pcs
	WDS 06160	●	3390616	6,0	160	60	12	30	12,64	1 à 100 pcs

coating:

- silver galvanization

COUNTER HEAD DISTANCE SCREW

- ▶ drilling tip allows light screwing without pre-drilling
- ▶ TORX socket for better transfer of the screwing force
- ▶ the rings under the head of the batten allow for better retention and adjustment
- ▶ the distance between the elements can be changed at any time by changing the screwing direction
- ▶ high strength of connections for various types of wood
- ▶ universal in use



▶ VERTICAL ELEVATION

domax

✓ in our offer

PWVG

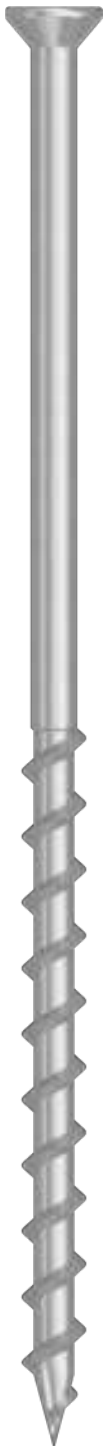
screw-in post support

see page 102

GS

Aerated concrete screw with flat head

TECHNICAL APPROVAL
070-058043

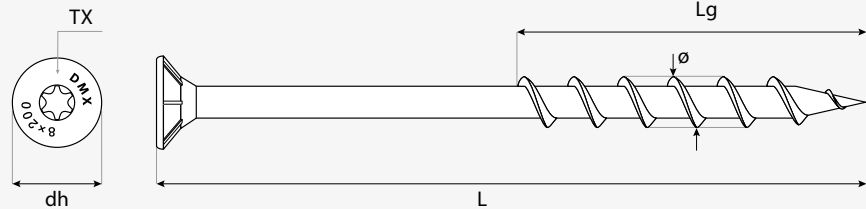


Application

Aerated concrete screws with countersunk head are an excellent alternative to traditional dowel and screw installation. They enable direct (without the need for prior drilling) mounting of fasteners in light concrete, such as aerated concrete, expanded clay concrete, siporex. They are used to fix load-bearing structures and coverings made of metal, wood or plastic (such as insulation materials) to aerated concrete.

Material

Hardened carbon steel + silver galvanization.



ø	name	coat.	art no.	dimensions [mm]				TX	weight [g]	packaging
				ø	L	Lg	dh			
ø8	GS 08065	●	3610806	8,0	65	60	12	30	12,7	1 à 50 pcs
	GS 08080	●	3610808	8,0	80	60	12	30	15,7	1 à 50 pcs
	GS 08100	●	3610810	8,0	100	90	12	30	19,4	1 à 50 pcs
	GS 08120	●	3610812	8,0	120	90	12	30	23,4	1 à 50 pcs
	GS 08140	●	3610814	8,0	140	90	12	30	27,5	1 à 50 pcs
	GS 08160	●	3610816	8,0	160	90	12	30	31,5	1 à 50 pcs
	GS 08180	●	3610818	8,0	180	90	12	30	35,6	1 à 50 pcs
	GS 08200	●	3610820	8,0	200	90	12	30	39,6	1 à 50 pcs
	GS 08220	●	3610822	8,0	220	90	12	30	43,7	1 à 50 pcs
	GS 08240	●	3610824	8,0	240	90	12	30	47,7	1 à 50 pcs

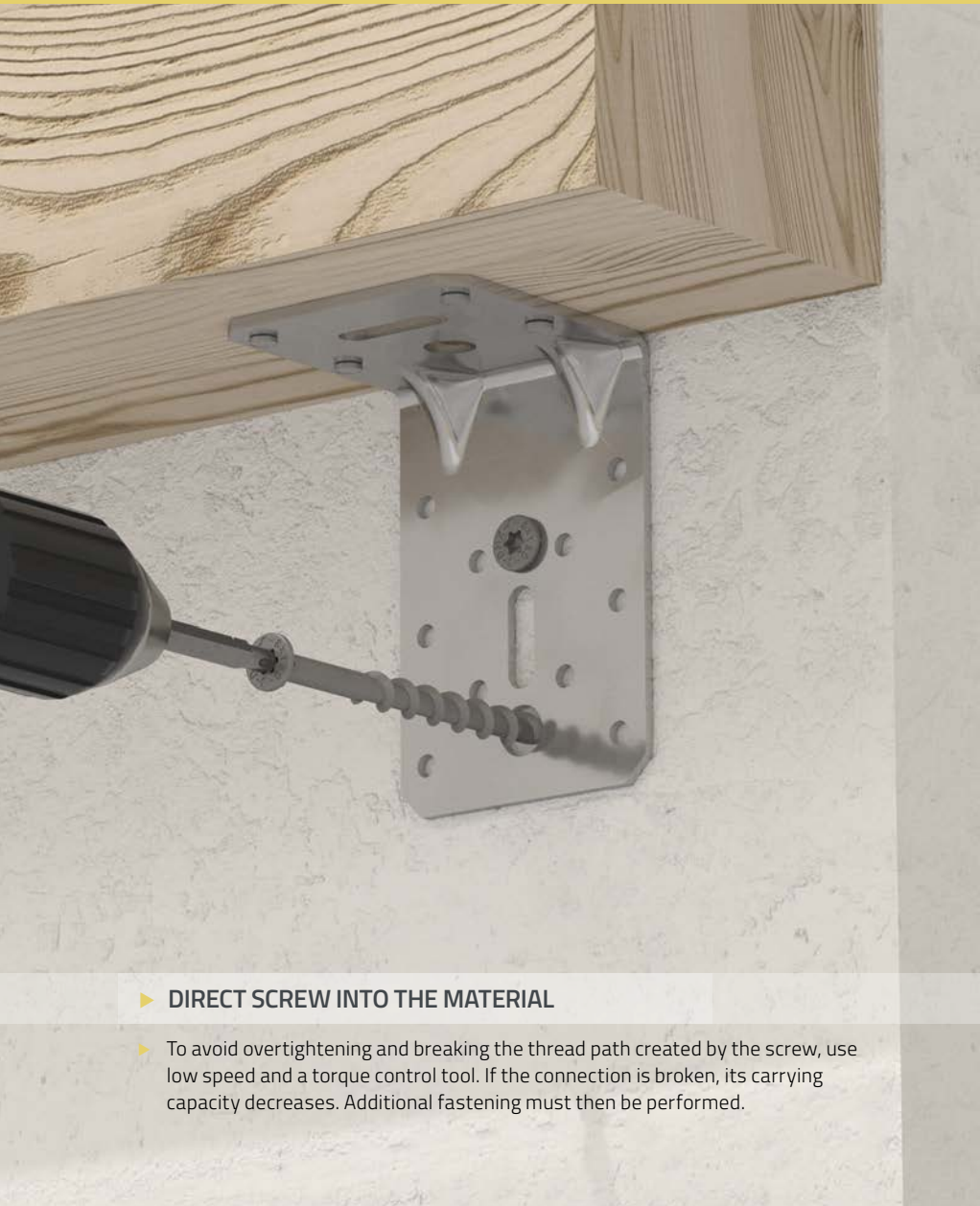
coating:
● silver galvanization

CONNECTING USING DOMAX®
AERATED CONCRETE SCREWS

- ▶ screwed directly into the material – no pre-drilling required
- ▶ fixing without the use of plugs and expansion sleeves reduces the risk of damage to the walls, facilitates work and saves time
- ▶ screw provides immediate load capacity
- ▶ assembly does not require specialized equipment and can be performed using standard power tools
- ▶ hardened carbon steel guarantees high durability of the screws

GS

Aerated concrete screw with flat head



► **DIRECT SCREW INTO THE MATERIAL**

- To avoid overtightening and breaking the thread path created by the screw, use low speed and a torque control tool. If the connection is broken, its carrying capacity decreases. Additional fastening must then be performed.



Controlled characteristic GS	Length (L) [mm]	Declared functional properties of screws
Torsional strength	65–240	28,16 Nm
Characteristic tensile strength	65–240	22,34 kN
Characteristic screw-in torque	65–240	3,37 Nm
The characteristic value of the extrusion parameter	65–80	0,26 N/mm ²
	100–240	2,44 N/mm ²
Characteristic moment of plasticization	65–240	threaded part – 15010 Nmm
	65–240	smooth part – 33220 Nmm
Shear strength	65–240	14,78 kN

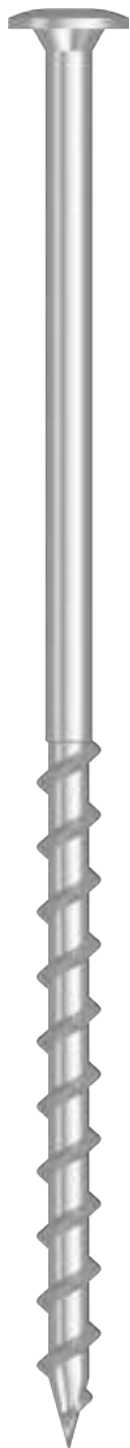


see tutorial video

GT

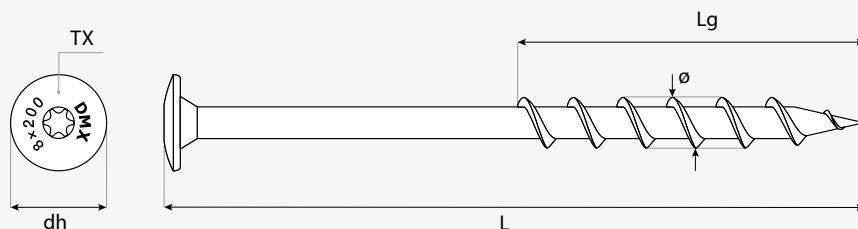
Aerated concrete screw with wafer head

TECHNICAL APPROVAL
070-058043



Application Aerated concrete screws with wafer head are an excellent alternative to traditional installation with a pin and screw. They enable direct (without the need for prior drilling) mounting of fasteners in light concrete, such as aerated concrete, expanded clay concrete, siporex. They are used to fix load-bearing structures and coverings made of metal, wood or plastic (such as insulation materials) to aerated concrete.

Material Hardened carbon steel + silver galvanization.



ø	name	coat.	art no.	dimensions [mm]				TX	weight [g]	packaging
				ø	L	Lg	dh			
ø8	GT 08100	●	3620810	8,0	100	90	15	30	20,70	1 à 50 pcs
	GT 08120	●	3620812	8,0	120	90	15	30	24,70	1 à 50 pcs
	GT 08140	●	3620814	8,0	140	90	15	30	28,80	1 à 50 pcs
	GT 08160	●	3620816	8,0	160	90	15	30	36,90	1 à 50 pcs
	GT 08180	●	3620818	8,0	180	90	15	30	32,80	1 à 50 pcs
	GT 08200	●	3620820	8,0	200	90	15	30	40,90	1 à 50 pcs
	GT 08220	●	3620822	8,0	220	90	15	30	45,00	1 à 50 pcs
	GT 08240	●	3620824	8,0	240	90	15	30	49,00	1 à 50 pcs
ø10	GT 10100	●	3621010	10,0	100	90	20	40	39,00	1 à 50 pcs
	GT 10120	●	3621012	10,0	120	90	20	40	33,00	1 à 50 pcs
	GT 10140	●	3621014	10,0	140	90	20	40	45,00	1 à 50 pcs
	GT 10160	●	3621016	10,0	160	90	20	40	51,00	1 à 50 pcs
	GT 10180	●	3621018	10,0	180	160	20	40	55,20	1 à 50 pcs
	GT 10200	●	3621020	10,0	200	160	20	40	61,20	1 à 50 pcs
	GT 10220	●	3621022	10,0	220	160	20	40	67,20	1 à 50 pcs
	GT 10240	●	3621024	10,0	240	160	20	40	73,20	1 à 50 pcs

coating:
● silver galvanization

CONNECTING USING DOMAX® AERATED CONCRETE SCREWS

- ▶ screwed directly into the material – no pre-drilling required
- ▶ fixing without the use of plugs and expansion sleeves reduces the risk of damage to the walls, facilitates work and saves time
- ▶ screw provides immediate load capacity
- ▶ assembly does not require specialized equipment and can be performed using standard power tools
- ▶ hardened carbon steel guarantees high durability of the screws

GT

Aerated concrete screw with wafer head



Controlled characteristic GT	Length (L) [mm]	Declared functional properties of screws
Torsional strength	65–240	28,16 Nm
Characteristic tensile strength	65–240	22,34 kN
Characteristic screw-in torque	65–240	3,37 Nm
The characteristic value of the extrusion parameter	65–80	0,26 N/mm ²
	100–240	2,44 N/mm ²
Characteristic moment of plasticization	65–240	threaded part – 15010 Nmm
	65–240	smooth part – 33220 Nmm
Shear strength	65–240	14,78 kN



see tutorial video

CBW

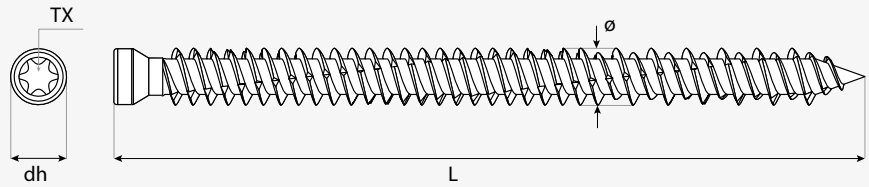
Frame screw with cylindrical head

TECHNICAL APPROVAL
070-060466



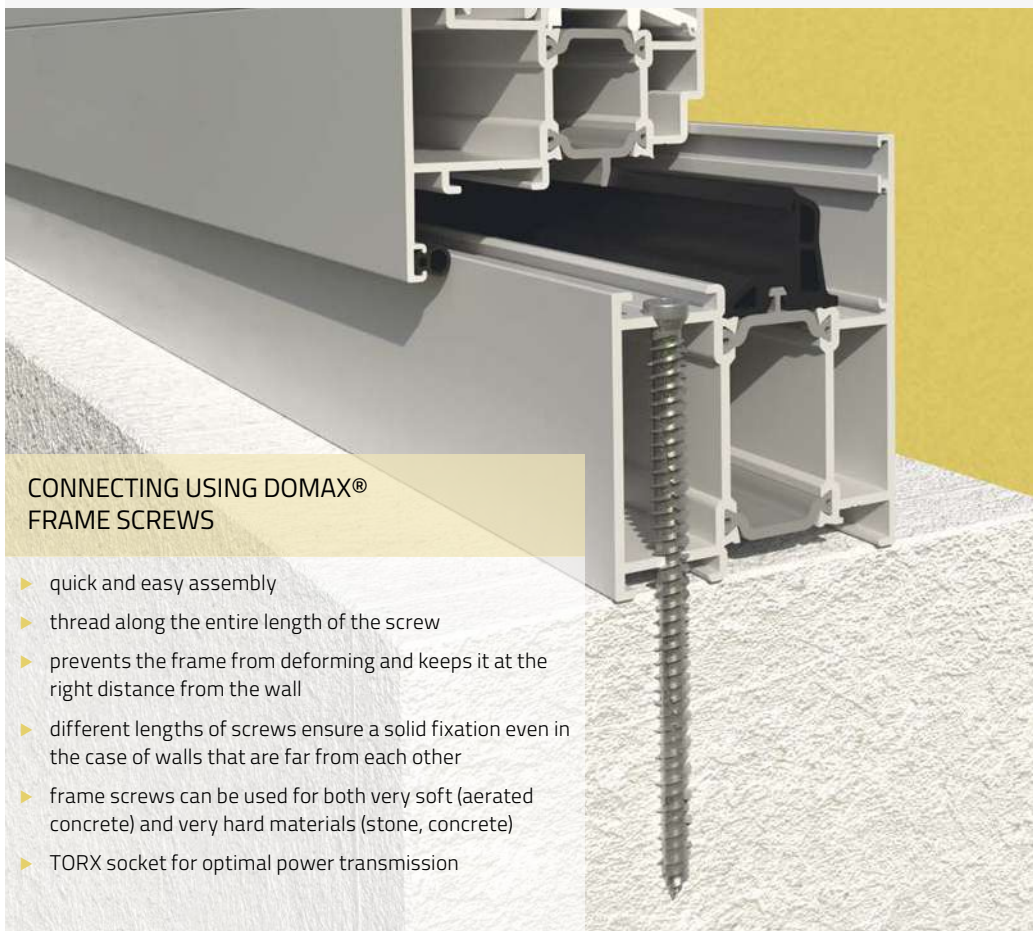
Application Frame screws with cylindrical head are perfect for fixing window frames to concrete, stone, brick or soft materials, e.g. aerated concrete. They make it possible to use one type of screw for mounting windows and doors in the wall and connecting windows into sets.

Material Hardened carbon steel + silver galvanization.



ø	name	coat.	art no.	dimensions [mm]				TX	weight [g]	packaging
				ø	L	dh	ø hole			
ø7,5	CBW 75052	●	3377505	7,5	52	8	6	30	9,00	1 à 200 pcs
	CBW 75072	●	3377507	7,5	72	8	6	30	13,40	1 à 100 pcs
	CBW 75092	●	3377509	7,5	92	8	6	30	16,80	1 à 100 pcs
	CBW 75112	●	3377511	7,5	112	8	6	30	20,27	1 à 100 pcs
	CBW 75132	●	3377513	7,5	132	8	6	30	23,71	1 à 100 pcs
	CBW 75152	●	3377515	7,5	152	8	6	30	27,16	1 à 100 pcs
	CBW 75182	●	3377518	7,5	182	8	6	30	32,32	1 à 100 pcs
	CBW 75212	●	3377521	7,5	212	8	6	30	37,48	1 à 100 pcs

coating:
● silver galvanization

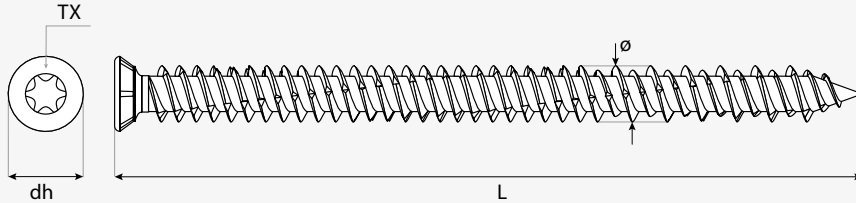


CONNECTING USING DOMAX® FRAME SCREWS

- ▶ quick and easy assembly
- ▶ thread along the entire length of the screw
- ▶ prevents the frame from deforming and keeps it at the right distance from the wall
- ▶ different lengths of screws ensure a solid fixation even in the case of walls that are far from each other
- ▶ frame screws can be used for both very soft (aerated concrete) and very hard materials (stone, concrete)
- ▶ TORX socket for optimal power transmission

Application Frame screws with countersunk head are perfect for fixing window frames to concrete, stone, brick or soft materials, e.g. aerated concrete. They make it possible to use one type of screw for mounting windows and doors in the wall and connecting windows into sets.

Material Hardened carbon steel + silver galvanization.



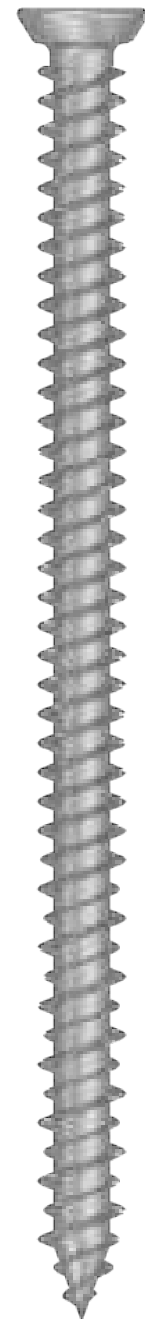
φ	name	coat.	art no.	dimensions [mm]				TX	weight [g]	packaging
				φ	L	dh	φ hole			
ø 7,5	CBS 75052	●	3377505	7,5	52	11,2	6	30	9,00	1 à 200 pcs
	CBS 75072	●	3377507	7,5	72	11,2	6	30	13,40	1 à 100 pcs
	CBS 75092	●	3377509	7,5	92	11,2	6	30	16,80	1 à 100 pcs
	CBS 75112	●	3377511	7,5	112	11,2	6	30	20,27	1 à 100 pcs
	CBS 75132	●	3377513	7,5	132	11,2	6	30	23,71	1 à 100 pcs
	CBS 75152	●	3377515	7,5	152	11,2	6	30	27,16	1 à 100 pcs
	CBS 75182	●	3377518	7,5	182	11,2	6	30	32,32	1 à 100 pcs
	CBS 75212	●	3377521	7,5	212	11,2	6	30	37,48	1 à 100 pcs

coating:

- silver galvanization

TECHNICAL APPROVAL

070-060466



Mounting parameters of CBW and CBS screws

Parameter	Base type			
	Plain concrete ¹⁾	Solid brick ²⁾	Ceramic block ³⁾	Aerated concrete ⁴⁾
Hole diameter d_h equal to nominal drill diameter d_{nom} [mm]	6	6	6	— ⁶⁾
Minimum hole depth h_i [mm]	40	50	70	— ⁶⁾
Effective anchorage depth h_{ef} [mm]	30	40	60	60
Total embedment depth h_{nom} [mm]	30	40	60	60
Tightening torque T_{inst} [Nm]	— ⁵⁾	— ⁵⁾	— ⁵⁾	— ⁵⁾
Minimum substrate thickness h_{min} [mm]	80	60	80	80
Minimum screw spacing s [mm]	90	120	180	180
Minimum distance of screws from the edge of the substrate c [mm]	45	60	190	90

¹⁾ Plain concrete, non-cracked, reinforced or non-reinforced, class C20/25 - C50/60 according to PN-EN 206:2016.

²⁾ Solid ceramic brick, class 15, according to PN-EN 771-1+A1:2015.

³⁾ Ceramic brick, porous, class 15, wall thickness 10mm, according to PN-EN 771-1+A1:2015.

⁴⁾ Autoclaved aerated concrete class 3, density 600 kg/m³, according to PN-EN 771-4+A1:2015.

⁵⁾ The screw should be screwed into the basis until it stops.

⁶⁾ In the case of aerated concrete, direct assembly should be used, without making a hole.

Characteristic resistance of door frame screw fastenings for pulling out of the substrate $N_{R,k}$ and for shearing $V_{R,k}$

Parameter	Base type			
	Plain concrete ¹⁾	Solid brick ²⁾	Ceramic block ³⁾	Aerated concrete ⁴⁾
Effective anchorage depth h_{ef} [mm]	30	40	60	60
Characteristic pull-out resistance $N_{R,k}$ [kN]	2,9	2,6	0,9	1
Characteristic shear resistance of a single screw $V_{R,k,s}$ [kN]	6	6	6	6

¹⁾ Plain, non-cracked concrete, class C20/25 - C50/60, according to PN-EN 206:2016

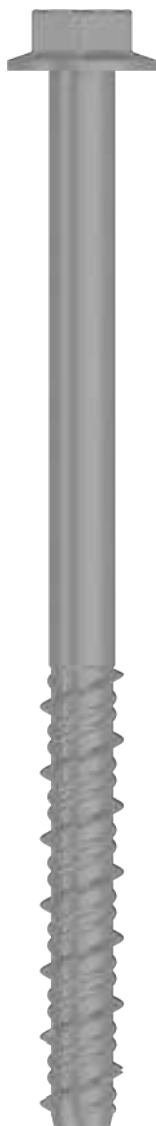
²⁾ Solid ceramic bricks, class 15, according to PN-EN 771-1+A1:2015

³⁾ Porous ceramic bricks, class 15, with a wall thickness of 10mm, according to PN-EN 771-1+A1:2015.

⁴⁾ Autoclaved aerated concrete with a density of 600 kg/m³, class 3, according to the PN-EN 771-4+A1:2015 standard.

PBW

Concrete screw with hex head



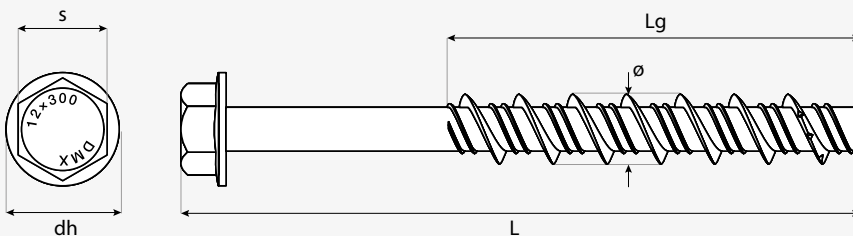
see tutorial video

Application

The concrete screw is used for fixing and anchoring in base made of concrete, natural stone, as well as in masonry elements. Installation of the screw after drilling a hole suitable for the diameter of the screw. The concrete screw does not expand, which allows you to drill holes with small distances between the edges, as well the anchors. Three different thread heights ensure a strong and secure connection.

Material

Hardened carbon steel + zinc flake (lamellar).



ø	name	coat.	art no.	dimensions [mm]							weight [g]	packaging
				ø	L	Lg	dh	s	max tfix*	ø hole		
ø7,5	PBW 07060	●	3710706	7,5	60	55	14	10	5	6,0	17,00	1 à 50 pcs
	PBW 07080	●	3710708	7,5	80	55	14	10	25	6,0	21,00	1 à 50 pcs
	PBW 07100	●	3710710	7,5	100	55	14	10	45	6,0	26,00	1 à 50 pcs
	PBW 07120	●	3710712	7,5	120	55	14	10	65	6,0	32,00	1 à 50 pcs
ø10,5	PBW 10065	●	3711006	10,5	65	60	18	13	5	8,0	34,00	1 à 50 pcs
	PBW 10075	●	3711007	10,5	75	60	18	13	15	8,0	38,00	1 à 50 pcs
	PBW 10090	●	3711009	10,5	90	60	18	13	30	8,0	43,00	1 à 50 pcs
	PBW 10110	●	3711011	10,5	110	60	18	13	50	8,0	51,00	1 à 50 pcs
	PBW 10130	●	3711013	10,5	130	60	18	13	70	8,0	59,00	1 à 50 pcs
ø12,5	PBW 12075	●	3711207	12,5	75	70	22	15	5	10,0	62,00	1 à 20 pcs
	PBW 12085	●	3711208	12,5	85	70	22	15	15	10,0	67,00	1 à 20 pcs
	PBW 12100	●	3711210	12,5	100	70	22	15	30	10,0	76,00	1 à 20 pcs
	PBW 12120	●	3711212	12,5	120	70	22	15	50	10,0	90,00	1 à 20 pcs
	PBW 12140	●	3711214	12,5	140	70	22	15	70	10,0	102,00	1 à 20 pcs
	PBW 12160	●	3711216	12,5	160	70	22	15	90	10,0	113,00	1 à 20 pcs
	PBW 12200	●	3711220	12,5	200	70	22	15	130	10,0	139,00	1 à 20 pcs

* The maximum thickness of the fastened element.

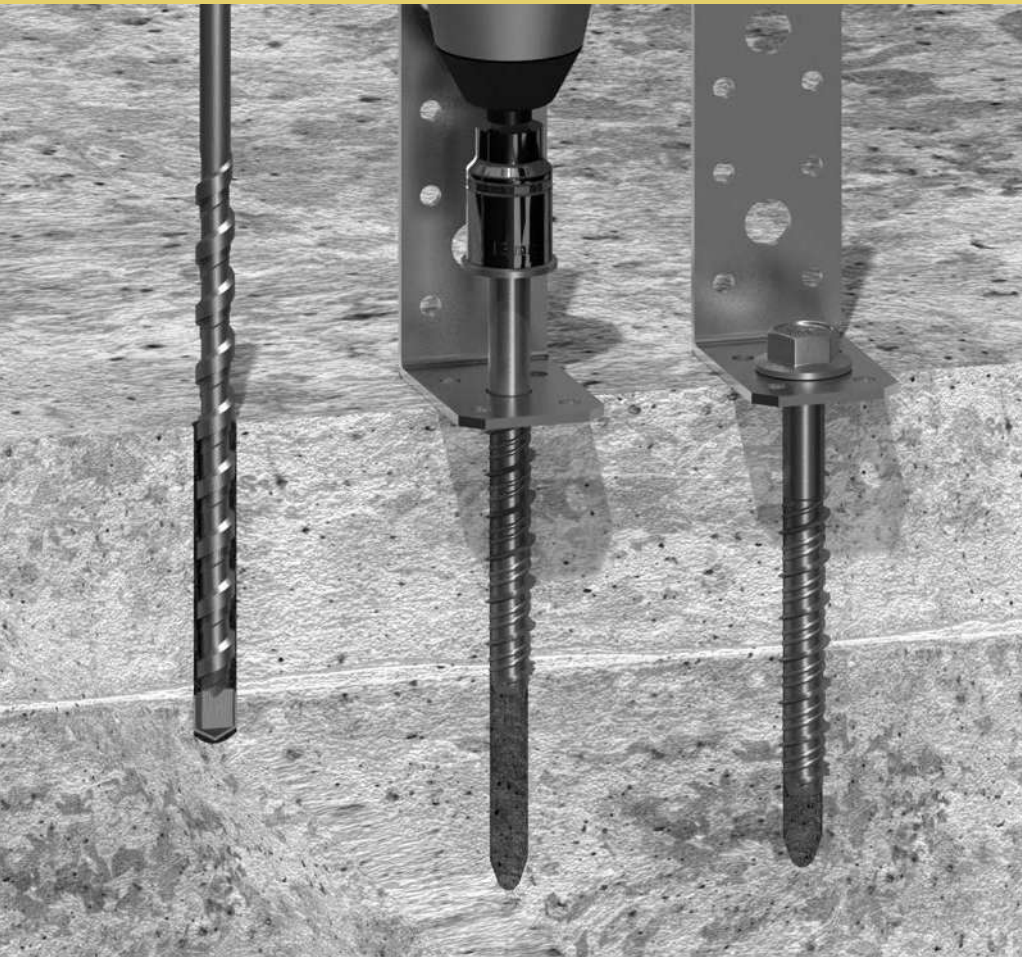
coating:

- zinc flake (lamellar)

CONNECTING USING DOMAX® HEX HEAD CONCRETE SCREW

- ▶ efficient assembly – just drill a hole and screw in the screw
- ▶ possibility of complete disassembly
- ▶ minimal expansion stresses allow to make connections at a small distance from the edge - low risk of damage of the base
- ▶ special thread geometry allows for secure and quick assembly
- ▶ an ideal screw for the assembly of temporary installations (e.g. formwork supports, scaffolding)
- ▶ we recommend screwing with an impact driver





PBW

Concrete screw
with hex head

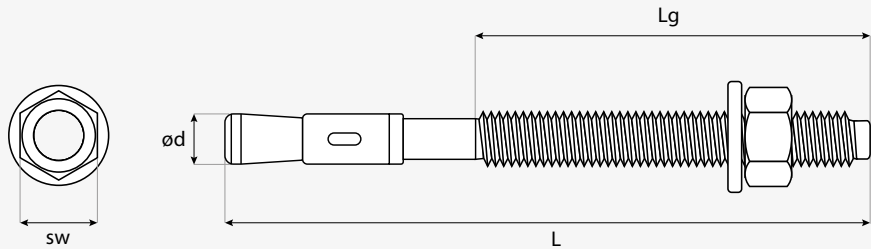


For use in cracked and uncracked concrete		Diameter [mm]		
		7,5	10,5	12,5
	Characteristic tensile strength of steel [kN]	18,7	32,7	51,2
	Characteristic tensile strength C20/25 non-cracked concrete [kN]	9	12	20
	Characteristic tensile strength C20/25 cracked concrete [kN]	6	9	12
Displacements under tensile load in uncracked concrete	Service load in uncracked concrete [kN]	3,6	4,8	9,5
	Short term displacement under tensile load [mm]	0,4	0,4	0,4
	Long-term displacement under tensile load [mm]	1	1,1	1,4
Displacements under tensile load in cracked concrete	Service load in cracked concrete [kN]	2,4	3,6	5,7
	Short term displacement under tensile load [mm]	0,6	0,7	0,5
	Long-term displacement under tensile load [mm]	1,4	1,2	1,4
	Characteristic shear strength of steel – without lever arm [kN]	7,5	16,3	35,6
	Characteristic bending moment [Nm]	15,2	35,3	69,3
Displacements under shear load	Shear load in cracked and uncracked concrete	3	6,5	12,2
	Short term displacement under shear load [mm]	1,3	1,4	1,8
	Long-term displacement under shear load [mm]	2	2,1	2,7
Fire safety	Reaction to fire	A1	A1	A1



PBK

Bolt anchor



ø	name	coat.	art no.	dimensions [mm]						weight [g]	packaging
				ød	L	Lg	sw	max tfix*	ø hole		
ø6	PBK 06050	●	3720605	6	50	25	10	5	6,0	12,94	100
	PBK 06065	●	37206065	6	65	40	10	20	6,0	16,44	100
	PBK 06085	●	37206085	6	85	60	10	40	6,0	20,94	100
	PBK 06100	●	3720610	6	100	75	10	55	6,0	24,31	50
ø8	PBK 08065	●	37208065	8	65	35	13	5	8,0	30,76	50
	PBK 08075	●	37208075	8	75	35	13	15	8,0	33,82	50
	PBK 08090	●	3720809	8	90	50	13	30	8,0	39,82	50
	PBK 08100	●	3720810	8	100	60	13	40	8,0	43,82	50
	PBK 08115	●	37208115	8	115	60	13	55	8,0	48,42	50
	PBK 08130	●	3720813	8	130	70	13	70	8,0	53,94	50
ø10	PBK 10075	●	37210075	10	75	35	17	5	10,0	55,17	50
	PBK 10080	●	3721008	10	80	40	17	10	10,0	58,29	50
	PBK 10090	●	3721009	10	90	50	17	20	10,0	63,55	50
	PBK 10100	●	3721010	10	100	55	17	30	10,0	70,11	50
	PBK 10120	●	3721012	10	120	60	17	50	10,0	80,58	25
	PBK 10140	●	3721014	10	140	80	17	70	10,0	93,06	25
ø12	PBK 10170	●	3721017	10	170	100	17	100	10,0	110,46	25
	PBK 10200	●	3721020	10	200	100	17	130	10,0	125,15	25
	PBK 12090	●	3721209	12	90	45	19	5	12,0	95,96	25
	PBK 12100	●	3721210	12	100	50	19	15	12,0	103,99	25
	PBK 12120	●	3721212	12	120	70	19	35	12,0	121,99	25
	PBK 12140	●	3721214	12	140	90	19	55	12,0	139,98	25
ø16	PBK 12160	●	3721216	12	160	100	19	75	12,0	156,04	25
	PBK 12180	●	3721218	12	180	100	19	95	12,0	170,17	25
	PBK 12200	●	3721220	12	200	100	19	115	12,0	184,28	25
	PBK 12220	●	3721222	12	220	100	19	135	12,0	198,41	20
	PBK 12240	●	3721224	12	240	100	19	155	12,0	212,53	20
	PBK 16120	●	3721612	16	120	65	24	15	16,0	226,16	15
ø16	PBK 16140	●	3721614	16	140	80	24	35	16,0	256,73	15
	PBK 16160	●	3721616	16	160	100	24	55	16,0	288,72	10
	PBK 16180	●	3721618	16	180	100	24	75	16,0	315,00	10
	PBK 16220	●	3721622	16	220	100	24	115	16,0	367,55	10
	PBK 16260	●	3721626	16	260	100	24	155	16,0	420,10	10

* The maximum thickness of the fastened element.

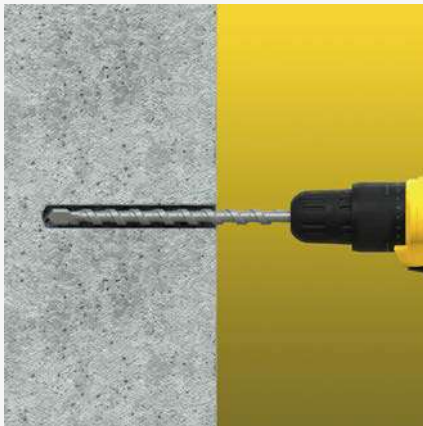
blisters with anchors

ø	name	coat.	art no.	dimensions [mm]						weight [g]	packaging
				ød	L	Lg	sw	max tfix	ø hole		
ø10	PBK 70	●	38954	10	70	35	17	5	10,0	190,00	4 à 5 pcs
	PBK 90	●	38964	10	90	50	17	20	10,0	230,00	4 à 5 pcs
	PBK 120	●	38974	10	120	60	17	50	10,0	285,00	4 à 5 pcs
	PBK 150	●	38984	10	150	90	17	80	10,0	346,00	4 à 5 pcs

coating:
● silver galvanization



INSTALLATION IN CONCRETE



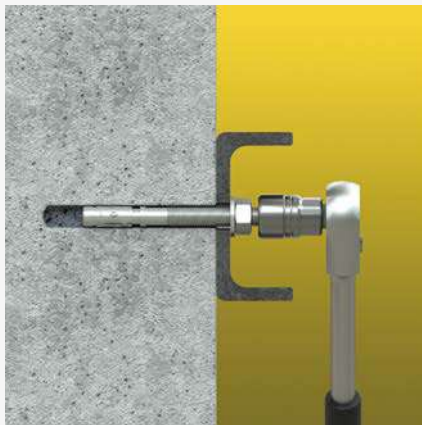
1 Drill the right size hole.



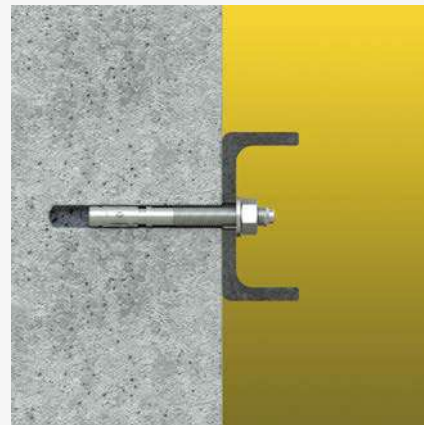
2 Clean the hole of dust and dirt (using a pump or a brush).



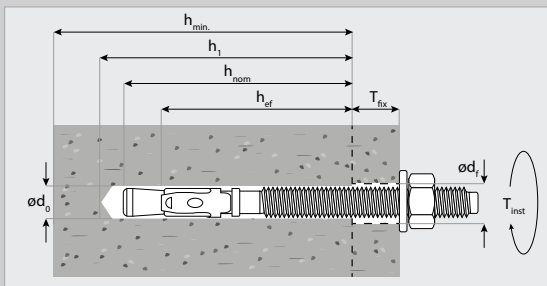
3 Place the anchor in the drilled hole.



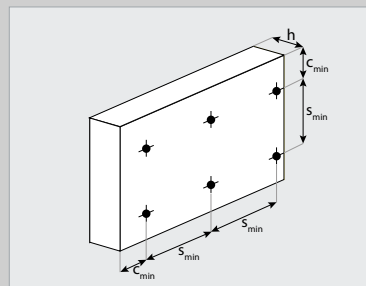
4 Place the fixture and tighten to the required torque.



5 Ready installation.



	[mm]	M6 ¹⁾	M8	M10	M12	M16
Drill hole diameter	d_0	6	8	10	12	16
Effective anchorage depth	h_{ef}	30	40	55	65	80
Nominal embedment depth in concrete	h_{nom}	35	48	65	77	95
Minimum drill hole depth	h_1	45	60	70	85	105
The minimum thickness of the concrete element	h_{min}	100	100	110	130	160
The maximum thickness of the fastened element	t_{fixmax}	135	140	150	215	195
Maximum tightening torque	T_{inst}	7,5	15	30	50	100
Minimum spacing	s_{min}	35	40	50	60	80
Minimum edge distance	c_{min}	35	40	50	60	80
Edge distance	$c_{or,sp}$	80	110	140	190	210



Distinctive durability under shear load						
Anchor size	M6	M8	M10	M12	M16	
The destruction of steel without the arm of strength						
$V_{Rk,s}$	kN	4	7,3	11,6	16,9	31,4
$Y_{Mk,s}$	-	1,25	1,25	1,25	1,25	1,25
The destruction of steel with the arm of strength						
$M_{Rk,s}$	Nm	6	15	30	52	133
$Y_{Mk,s}$	-	1,25	1,25	1,25	1,25	1,25
Breakage of concrete						
k_g	-	1	1	1	2	2
Y_{inst}	-	1,2	1,2	1	1	1
Concrete edge failure						
l_f	mm	30	40	55	65	80
d_{nom}	mm	6	8	10	12	16
Y_{Mc}	mm	1,2	1,2	1	1	1
Displacement under shear load						
V	kN	2,3	4,2	6,6	9,6	17,9
δ_{y0}	mm	1,2	0,5	0,9	1,2	1,6
δ_{y0}	mm	1,8	0,8	1,3	1,8	2,4

Distinctive durability with a tensile load						
Anchor size	M6	M8	M10	M12	M16	
Destruction of steel						
$N_{Rk,s}$	kN	5,5	10,6	17,2	28,4	51,5
$Y_{Mk,s}$	-	1,5	1,5	1,5	1,5	1,5
Destruction by tearing out						
$N_{Rk,s}$	kN	4,5	10	19	Nie jest decydujące	
Y_{inst}	-	1,2	1,2	1	1	1
Ψ_c	C30/37	1,04	1,04	1,04	1,17	1,17
	C40/50	1,07	1,07	1,07	1,32	1,32
	C50/60	1,09	1,09	1,09	1,42	1,42
Concrete cone failure and concrete splitting						
h_{ef}	mm	30	40	55	65	80
k_{vor}	-	11	11	11	11	11
$s_{or,N}$	mm	$3 \cdot h_{ef}$	$3 \cdot h_{ef}$	$3 \cdot h_{ef}$	$3 \cdot h_{ef}$	$3 \cdot h_{ef}$
$c_{or,N}$	mm	$1,5 \cdot h_{ef}$	$1,5 \cdot h_{ef}$	$1,5 \cdot h_{ef}$	$1,5 \cdot h_{ef}$	$1,5 \cdot h_{ef}$
$s_{or,sp}$	mm	160	220	280	380	420
$c_{or,sp}$	mm	80	110	140	190	210
Y_{inst}	-	1,2	1,2	1	1	1
Displacement under tensile load						
N	kN	1,8	4	9	12,4	18,1
δ_{y0}	mm	0,3	0,1	0,8	1	1,7
δ_{N0}	mm	1,1	1,1	1,1	2,1	2,1

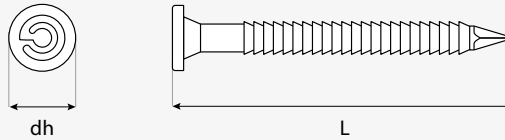
ANG

ANCHOR
carpentry nail



Application Nails with an annular shank and a special countersunk head. Designed for fixing carpentry joints and e.g. roof hooks of drainage systems. They can be used for wooden structures both outside and inside buildings. The corrugated surface of the shank obtained with conical cuts prevents the nails from being pulled out when the structure vibrates.

Material Low carbon steel + silver galvanization.



ø	name	coat.	art no.	dimensions [mm]		weight opak. [g]	packaging
				ø	L		
ø4	ANG 35	●	3871	4,0	35	1 033,00	1 à 261 pcs
	ANG 40	●	3872	4,0	40	1 033,00	1 à 226 pcs
	ANG 50	●	3873	4,0	50	1 033,00	1 à 195 pcs
	ANG 60	●	3874	4,0	60	1 033,00	1 à 158 pcs
	ANG 75	●	3875	4,0	75	1 033,00	1 à 113 pcs
	ANG 100	●	3876	4,0	100	1 033,00	1 à 99 pcs
	ANG 125	●	3877	4,0	125	1 033,00	1 à 80 pcs



ø	name	coat.	art no.	dimensions [mm]		weight [g]	packaging
				ø	L		
ø4	ANG 40	●	38726	4,0	40	5 100,00	1 à 1 130 pcs
	ANG 50	●	38736	4,0	50	5 100,00	1 à 975 pcs
	ANG 60	●	38746	4,0	60	5 100,00	1 à 790 pcs

coating:
● silver galvanization





✓ in our offer

SEK

connector for firewood stand

see page 179

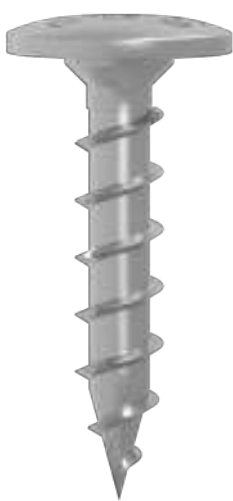
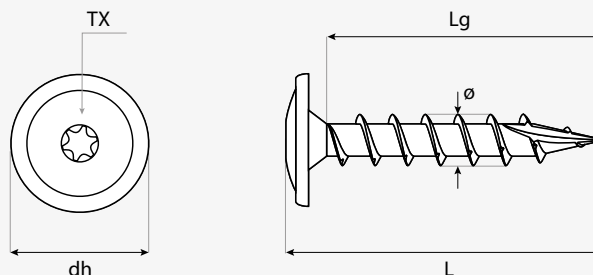


CTO

Garden architecture screw

Application The CTO screws can be fitted with a screwdriver without pre-drilling. The enlarged plate head ensures an aesthetic appearance and durability of the connection. A durable double protective coating (zinc flake and a special paint with aluminum chips in the color of galvanized steel) prevents the penetration of corrosive agents, thanks to which CTO can be used on tannin-rich wood. We offer screws adapted to garden wood of the most popular length and diameter.

Material Hardened carbon steel + flake zinc (lamellar), powder coated black, yellow galvanization.



ø	name	coat.	art no.	dimensions [mm]				TX	weight [g]	packaging
				ø	L	Lg	dh			
ø8	CTO 08040	●	320804	8,0	40	35	20	40	12,80	1 à 100 pcs
	CTO 08050	●	320805	8,0	50	45	20	40	14,82	1 à 100 pcs
	CTO 08050 C	●	3208052	8,0	50	45	20	40	14,82	1 à 50 pcs
ø10	CTO 10050	●	321005	10,0	50	45	25	40	23,21	1 à 50 pcs

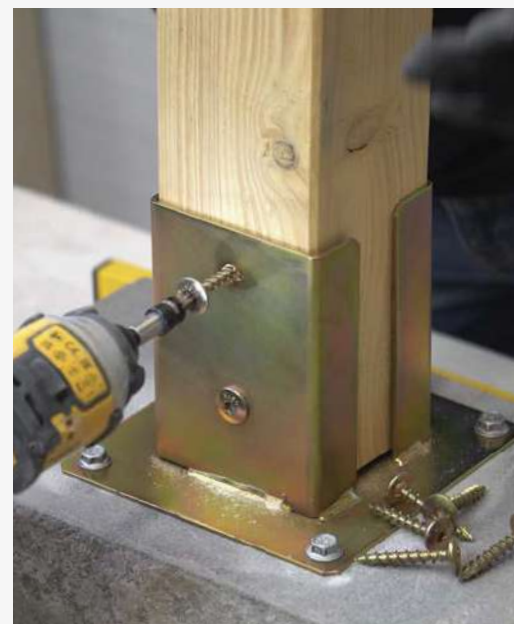
coating:

- zinc flake (lamellar)
- powder coated black
- yellow galvanization



blisters

ø	name	coat.	art no.	dimensions [mm]				TX	weight [g]	packaging
				ø	L	Lg	dh			
ø8	CTO 08040	●	3420804	8,0	40	35	20	40	106,00	8 à 10 pcs
	CTO 08050	●	3420805	8,0	50	45	20	40	122,00	8 à 10 pcs
	CTO 08050 C	●	34208052	8,0	50	45	20	40	122,00	8 à 10 pcs
	CTO 08050 ZNZ	●	34208056	8,0	50	45	20	40	122,00	8 à 10 pcs
ø10	CTO 10050	●	3421005	10,0	50	45	25	40	162,00	8 à 10 pcs

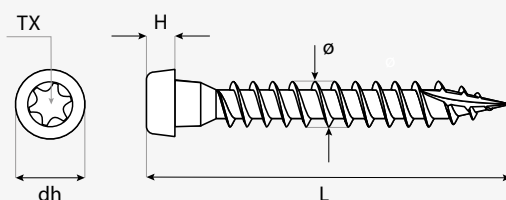


Application Screws for fixing wood connectors. A special sharp thread with a drill tip allows easy screwing in without pre-drilling. Provides a stable and durable connection.

Material Hardened carbon steel + silver galvanization.

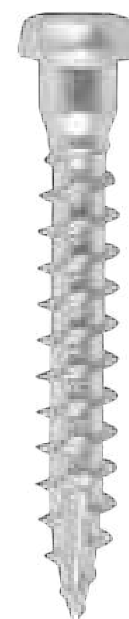
ANW

ANCHOR carpentry screw Torx socket



ø	name	coat.	art no.	dimensions [mm]				TX	weight [g]	packaging
				ø	L	H	dh (A)			
6.5	ANW 35	●	3881	5,0	35	3	7,5	20	4,00	1 à 500 pcs
	ANW 40	●	3882	5,0	40	3	7,5	20	4,00	1 à 500 pcs
	ANW 45	●	3883	5,0	45	3	7,5	20	4,00	1 à 500 pcs

coating:
● silver galvanization

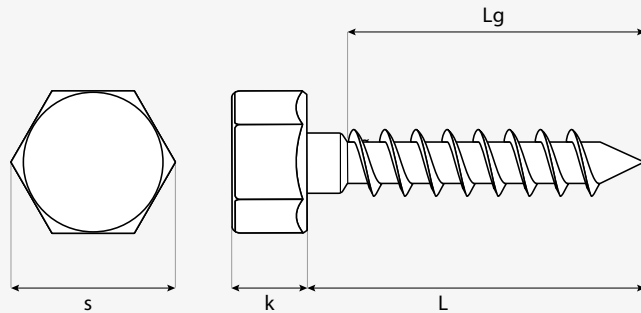


PWD

Wood screw



Application PWD screws are intended for connecting structural elements with wooden beams, e.g. for mounting scantlings with column bases.
Material Hardened carbon steel + silver galvanization.



ø	name	coat.	art no.	dimensions [mm]					weight [g]	packaging
				ø	L	Lg	k	s		
ø10	PWD 10/50	●	3891	10,0	50	40	6,8	17	1030,00	1 à 33 pcs
	PWD 10/60	●	3892	10,0	60	45	6,8	17	1025,00	1 à 29 pcs

coating:
 ● silver galvanization



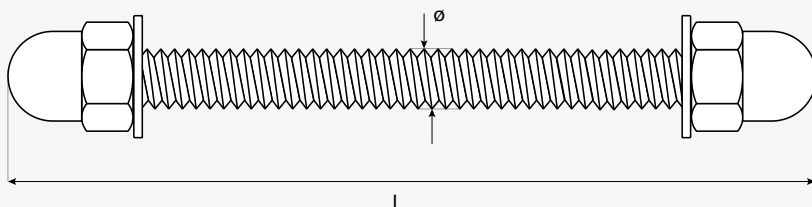
blisters

ø	name	coat.	art no.	dimensions [mm]					weight [g]	packaging
				ø	L	Lg	k	s		
ø10	PWD 10/50	●	38914	10,0	50	40	6,8	17	144,00	4 à 5 pcs
	PWD 10/60	●	38924	10,0	60	45	6,8	17	149,00	4 à 5 pcs



Application Kit for mounting the post base consisting of a threaded rod, washers and cap nuts. Provides aesthetic finish of connections.

Material Hardened carbon steel + silver galvanization.



name	coat.	art no.	dimensions [mm]		weight [g]	packaging
			ø	L		
PNP 140	●	39362	M10	140	230,00	1 à 5 pcs
PNP 160	●	39372	M10	160	250,00	1 à 5 pcs

coating:
● silver galvanization

PNP

Threaded rod with nuts for post support



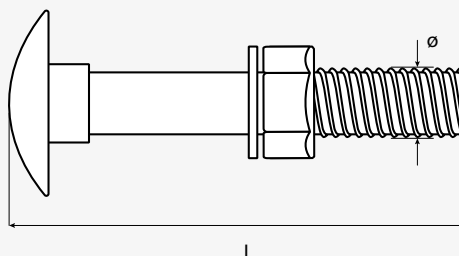
ZACB

Carriage bolt



Application An elegantly designed carriage bolt with a nut and washer for use in connecting wooden or metal elements of garden architecture. Recommended, among others for mounting DOMAX® decorative hinges. Protected with an additional anti-corrosion layer.

Material Silver galvanization; hardened carbon steel + partly powder coated, black.



ø	name	coat.	art no.	dimensions [mm]		weight [g]	packaging
				ø	L		
ø6	ZACB 06040 C	●	34902	6,0	40	52,00	4 à 10 pcs
	ZACB 06060 C	●	34912	6,0	60	71,00	4 à 10 pcs
	ZACB 08040	●	3492	8,0	40	127,00	4 à 10 pcs
ø8	ZACB 08040 C	●	34922	8,0	40	127,00	4 à 10 pcs
	ZACB 08060	●	3493	8,0	60	132,00	4 à 10 pcs
	ZACB 08060 C	●	34932	8,0	60	132,00	4 à 10 pcs

coating:

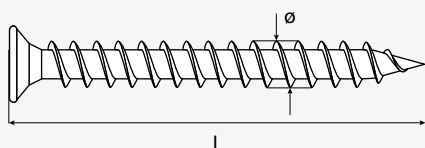
- silver galvanization
- partly powder coated, black



Application Elegant screws for fixing wooden elements of garden architecture. Recommended, among others for mounting DOMAX® decorative hinges.
Material Hardened carbon steel + partly powder coated, black.

ZAS

Wood screw



ø	name	coat.	art no.	dimensions [mm]		weight [g]	packaging
				ø	L		
4,5	ZAS 45025 C	●	34942	4,5	25	23,00	12 à 10 pcs
	ZAS 45035 C	●	34952	4,5	35	30,00	12 à 10 pcs

coating:

- partly powder coated, black

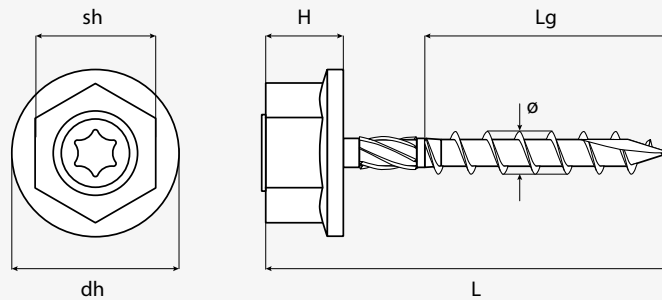


SDCS

Wood screw

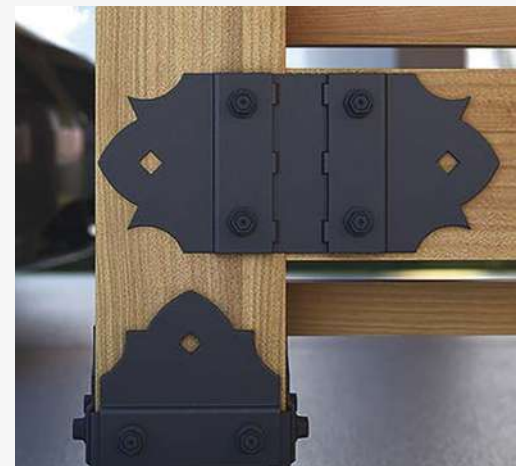
Application Screws intended for the installation of SD decorative wood connectors system, you can easily connect the connectors with them. All screw elements are tin-plated, and the head and specially designed nut are professionally painted black, giving the connection high aesthetics.

Material Hardened carbon steel + partly powder coated, black.



name	coat.	art no.	dimensions [mm]						weight [g]	packaging
			ø	L	Lg	H	dh	sh		
SDCS 50 C	●	38802	5,0	50	30	9,5	20,5	15	187,00	12 à 6 pcs

coating:
● partly powder coated, black

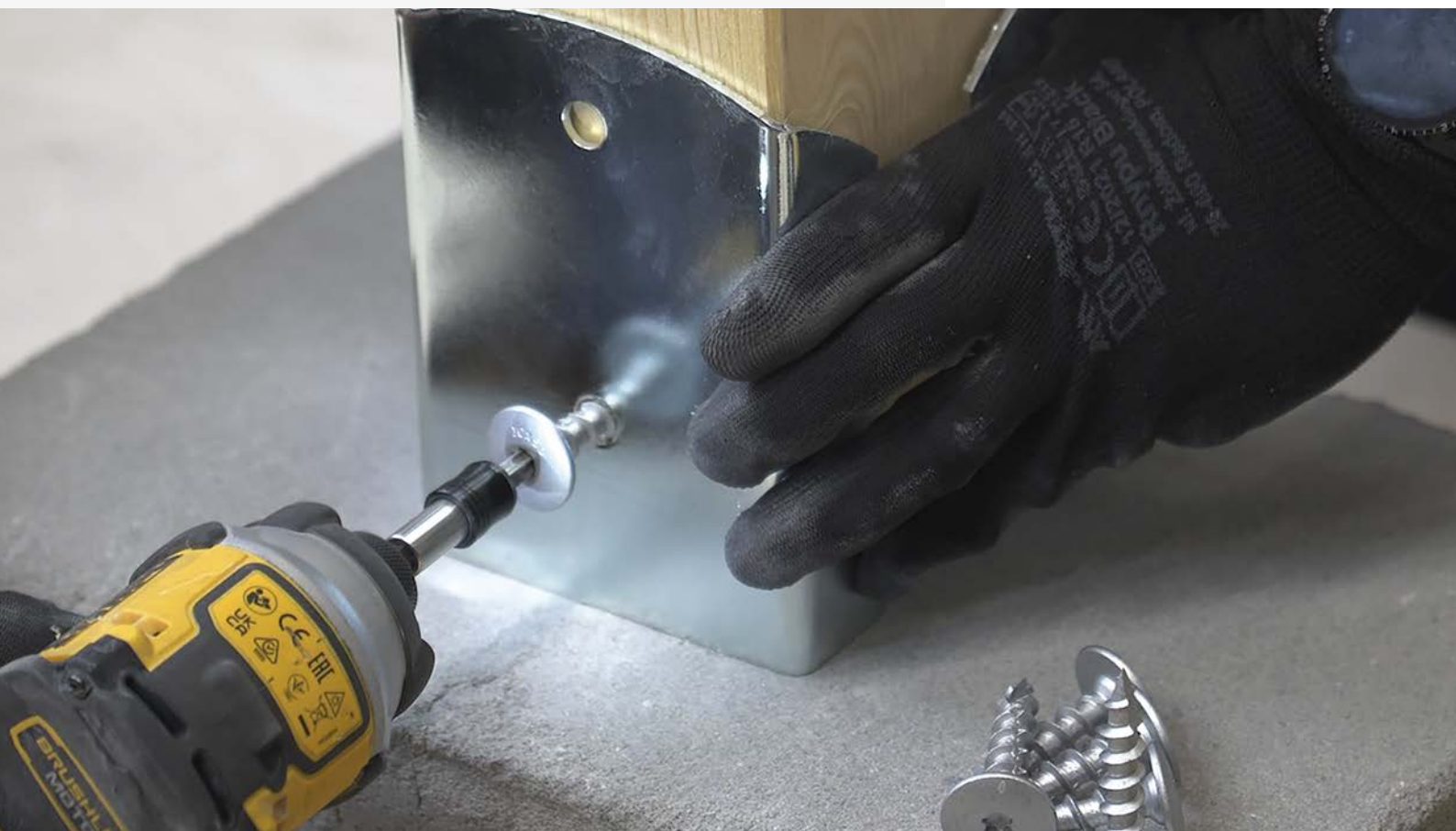


Application Screwdriver tip necessary when assembling carpentry screws.
 Material Hardened carbon steel.

BIT

TORX bit

name	art no.	bit	weight [g]	packaging
BIT TORX T10	3904	T10	4,70	1 à 10 pcs
BIT TORX T15	3905	T15	4,70	1 à 10 pcs
BIT TORX T20	3900	T20	4,70	1 à 10 pcs
BIT TORX T25	3901	T25	5,10	1 à 10 pcs
BIT TORX T30	3902	T30	5,80	1 à 10 pcs
BIT TORX T40	3903	T40	6,20	1 à 10 pcs
BIT TORX T50	3906	T50	6,20	1 à 10 pcs



domax

**DOMAX Sp. z o.o.**

al. Parku Krajobrazowego 109
Łężyce, 84-207 Koleczkowo, Poland
tel. +48 58 665 82 22
fax: +48 58 665 81 20
e-mail: handlowy@domax.com
www.domax.com

**DOMAX Česko s.r.o.**

Staroměstská 534
739 61 Třinec, Czech Republic
tel. +420 558 273 401
e-mail: obchod@domax.cz

**DOMAX SK s.r.o.**

Nádražná 329
015 01 Rajec, Slovakia
tel. +421 (0) 41 598 3002
e-mail: obchod@domax.com

**DOMAX System Distribution S.R.L.**

Str. George Cosbuc, nr. 13, et. 1,
camera 1
Ploiești, România
+40 770 245 911
e-mail: birou@domax.com

**DOMAX Distribution d.o.o.**

ul. Koledovčina 8
10000 Zagreb
Hrvatska
tel. +385 99 524 3260
e-mail: ured@domax.com

**DMX System doo**

Trnjaci 38
11500 Krtinska Obrenovac, Serbia
tel. +381 11 875 5064
tel. +381 65 245 7294
tel. +381 65 245 7293
e-mail: office@dmxsystem.com

**DOMAX Bulgaria LTD**

Домакс България ЕООД
София
ул. Сан Стефано 23 А, et. 2 ап. 4
тел. +359 882809169
e-mail: officebg@domax.com

**DOMAX in Spain**

David Jaén Segura
tel. +34 977 18 29 44
fax: +34 977 69 16 49
movil: +34 607 90 48 26
e-mail: d.jaen@domax.com

**DOMAX in Baltics**

SIA Polfix
Gustava Zemgala gatve 77 k-1
1039 Riga, Latvia
tel. +371 28334477
e-mail: baltics@domax.com

**DOMAX in Moldova**

Група компаний LIDER SRL „Profmet Grup”
г. Кишинев
ул. Петриканская 33
тел. (+373) 84-46-71
факс: (+373) 84-46-72
e-mail: krepej@lider.md

**DOMAX Deutschland UG**

Ehrenbergstraße 23
14195 Berlin, Deutschland
Tel. + 49 17679072971
e-mail: verkauf@domax.com