

domax
home



30 YEARS
of EXPERIENCE

ABOUT US

Domax Sp. z o. o. was founded in 1994 as a family company focused on the production and distribution of wood connectors in Poland and later in Europe. A wide range, high quality of products and the involvement of qualified professionals have made Domax one of the market leaders in the region, and CE certification guarantees compliance of construction products with European guidelines. Today, we are consistently expanding our international sales network in Europe. Customer trust is confirmed by successfully operating branches in the Czech Republic, Slovakia, Romania, Bulgaria, Croatia, Serbia and Germany, as well as constant distribution in most European countries (including the Baltic States, Spain, Moldova, Denmark, Belgium, France, Italy, Austria, Slovenia, Ukraine).





Logistics

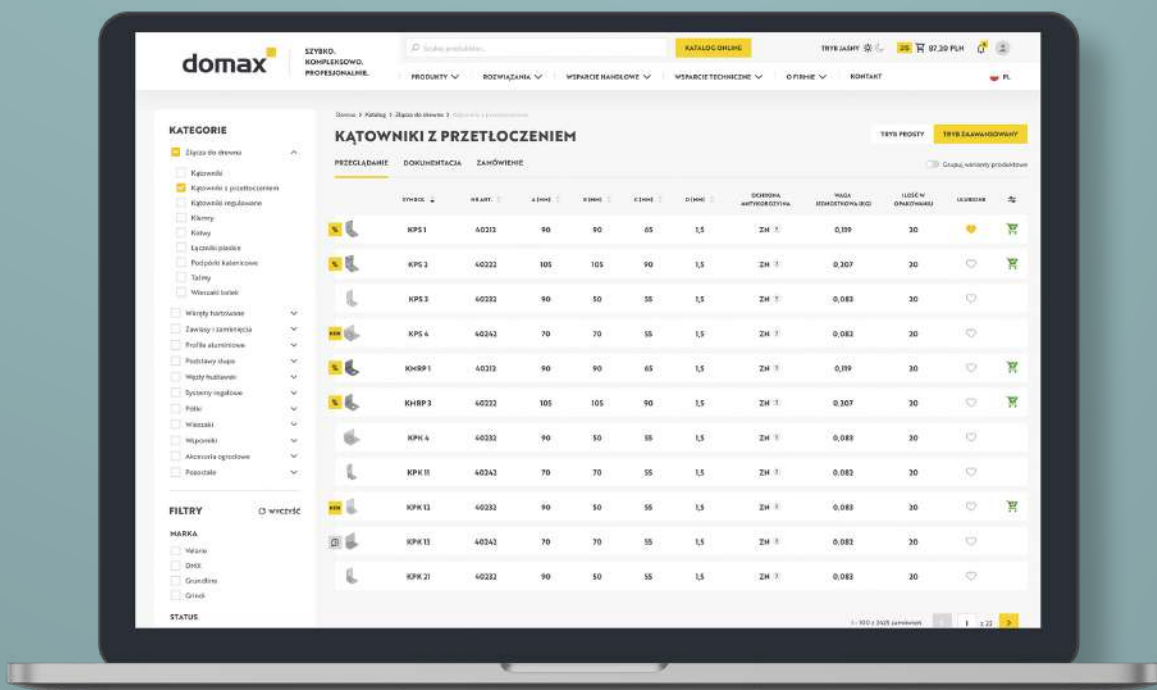
We implement system solutions aimed at optimizing communication with the external and internal environment of the company. We improve forwarding processes aimed at ensuring our customers with delivery of goods even within 24 hours of placing an order. We offer effective and proven tools, programs and strategies.

- ▶ machine park with an area of 7,000 m²
- ▶ a modern warehouse with a capacity of 14,500 pallet spaces
- ▶ products with the CE mark that meet European standards
- ▶ own professional research and development laboratory
- ▶ branches and distribution in several European countries



The friendly and functional DOMAX B2B platform ensures easy and convenient cooperation with our business partners:

- ▶ two ways of browsing the product offer: basic view of the product gallery and advanced view of the list
- ▶ product filters displayed as multiple-choice lists
- ▶ easy access to order history and renewing them
- ▶ preview of all invoices
- ▶ shortened complaint process
- ▶ extensive personalization options: adding and editing shipping addresses, checking the progress in the discount program or creating your own search paths
- ▶ dark mode – a great alternative for people using the Domax B2B service in the evening
- ▶ fully responsive – the platform is fully adapted to mobile devices (smartphones and tablets), thanks to which access to the basket, orders or invoices is always at hand
- ▶ additional functionalities: a tutorial available at any time of using the platform, active notifications that allow you to stay up to date with all promotions and important messages regarding the website



COMMERCIAL SUPPORT

Our partners receive support commercial and marketing in the form of:

- ▶ assistance with the first and subsequent restockings
- ▶ assistance in preparing a sales display of products
- ▶ cooperation in handling complaints and returns
- ▶ organized promotions and sales
- ▶ product and marketing training
- ▶ permanent trade discounts

TABLE OF CONTENTS

SHELVES

..... p. 23

FLOATING SHELVES p. 24

- FS** Floating shelf p. 24
- FSG** Floating shelf p. 27

MODULAR SHELVES p. 28

- FUS** Modular shelf p. 28
- FSS** Modular shelf p. 29
- FRS** Modular shelf p. 30
- FOS** Modular shelf p. 31
- FIS** Modular shelf p. 32
- FHS** Hexagon shelf p. 33

LOFT SHELVES p. 34

- FUL** Loft shelf p. 34
- FDL** Loft shelf p. 35
- FHL** Loft shelf p. 36
- FTL** Loft shelf p. 37
- FAL** Loft shelf p. 38
- FCL** Loft shelf p. 39
- FWL** Loft shelves p. 40
- FBL** Shelves set with loft brackets p. 42

BRACKETS

..... p. 45

BRACKETS p. 46

- WS** Steel bracket p. 46
- WSB** Steel bracket p. 48
- WSM** Small steel bracket p. 49
- WSP** Bracket with plastic cover p. 50
- WSPW** Reinforced bracket with narrow ribbing p. 51
- WFM** Aluminium bracket p. 52
- WFT** Aluminium bracket with ribbing p. 53
- WSR** Adjustable bracket p. 54
- HMUN** Steel bracket p. 55
- WSWP** Steel bracket reinforced with flat bar p. 56
- WFA** Steel bracket p. 58
- WFW** Ribbed steel bracket p. 59
- WFP** Flat steel bracket p. 60
- WFF** Double steel bracket p. 61
- WFL** Steel bracket p. 62
- WFJ** Steel bracket p. 63
- WFN** Steel bracket p. 65
- WFU** Steel bracket p. 66
- WFI** Steel bracket p. 67

FOLDING BRACKETS p. 68

- WSA** Folding bracket p. 68
- WSC** Folding bracket p. 69
- WSF** Reinforced folding bracket p. 70
- WSG** Folding bevel bracket p. 71
- WSN** Folding bracket p. 72

DECORATIVE BRACKETS p. 74

- BOW** Decorative steel arch bracket p. 74
- WPR** Decorative steel arch bracket p. 75
- TRAMP** Decorative steel arch bracket p. 76
- WSL** Decorative steel arch bracket p. 77
- WO** Ornamental steel bracket p. 78
- WOP** Ornamental steel bracket p. 79
- WFK** Ornamental steel bracket p. 80
- WFR** Ornamental steel bracket p. 81
- WOZ** Ornamental steel bracket p. 82
- WAT** Decorative openwork steel bracket p. 83
- WPRP** Decorative steel bracket p. 84
- SQUARE** Decorative steel bracket p. 85
- WOL** LOFT steel bracket p. 86
- WFD** LOFT steel bracket p. 88
- WFG** LOFT steel bracket p. 89
- WFS** LOFT steel bracket p. 90
- WFC** LOFT steel bracket p. 91
- WFE** LOFT steel bracket p. 92
- WFB** LOFT steel bracket p. 93
- WFF** LOFT steel bracket p. 95

WOODEN BRACKETS p. 96

- WDG** Curved wooden bracket p. 96
- WDGL** Lightweight bentwood bracket p. 97
- WDP** Wooden bracket p. 98
- WDW** Reinforced wooden bracket p. 99

HOLDERS, GARAGE HOOKS

..... p. 101

GOLIAT SYSTEM p. 102

- SGH** Garage hooks p. 102
- SGS** Assembly rail p. 104
- SGM** Cover plate for the assembly rail p. 104
- SGL** Connector for assembly rail p. 104
- SGK** The Goliat set p. 105
- ARB** Rail bracket p. 106
- ARC** PE container p. 107
- SGO** Tyre hook p. 108
- SGR** Bicycle hitch p. 109

WALL HOOKS p. 110

- HDS** S-type garage hook p. 110
- H2P** Straight garage wall hook p. 110
- HPP** Garage wall hook, single, straight p. 111
- HPU** Garage wall hook, single, bent p. 112
- H2U** Garage wall hook, double p. 113
- HMU** Garage wall hook, flat p. 114
- HO** Double wall hook p. 115
- HWO** Screw-on garage hook p. 115
- HST** Double garage ceiling hook p. 116
- W2P** Garage wall hook, for shelves p. 116
- HSP** Garage ceiling hook for shelf p. 117
- HR** Garage wall hook – bicycle p. 118
- HWS** Wall hook for sports board storage p. 118
- PGS** Bicycle stand p. 119
- PGU** Wall hook for wheels p. 119

HOLDERS, HOOKS, CONTAINERS p. 120

PGW 1	Multifunction wall rack	p. 120
PGW 2	Multifunctional garage rack for sports board	p. 121
PGW 3	Garage rack for sports board	p. 122
PGW 4	Garage rack for sports board	p. 123
PGW 5	Garage rack for sports board	p. 124
PGW 6	Garage rack for kayak	p. 125
PGR 1	Ceiling-mounted bicycle rack (lift)	p. 126
PGR 2	Door rack for bicycles	p. 127
PGR 3	Wall-mounted bicycle rack	p. 127
PGR 4	Wall-mounted bicycle rack	p. 127
PGR 5	Wall-mounted bicycle rack	p. 127
PGF	Ceiling storage shelf	p. 128
PGT 1	Perforated board set	p. 130
PGT 2	Perforated tool board	p. 131
PGP	Workshop containers	p. 132
UMA	Tool holder	p. 134
UMZ	Tool holder	p. 135
UMC	Tool holder	p. 136
UMD	Tool holder	p. 136
PGH	Garden hose holder	p. 137
UK	Flower pot holder	p. 138
KDA	Flower pot hanging basket	p. 139

CLOTHING HOOKS p. 141

WOODEN CLOTHING HOOKS p. 142

WUE	Clothing hook	p. 142
WUF	Clothing hook	p. 142
WUW	Clothing hook	p. 143
WUC	Clothing hook	p. 144
WUM	Clothing hook	p. 144
WUN	Clothing hook	p. 145
WUS	Clothing hook	p. 145

METAL CLOTHING HOOKS p. 146

WUA	Clothing hook	p. 146
WUB	Clothing hook	p. 147
WUD	Clothing hook	p. 147
WUH	Clothing hook	p. 148
WUI	Clothing hook	p. 148
WUP	Clothing hook	p. 149
WUR	Clothing hook	p. 149
WUO	Clothing hook	p. 150
WUY	Clothing hook	p. 152
WUT	Clothing hook	p. 153

INTERIOR DESIGN SYSTEM **INTEGRI** p. 155

TOP TRACKS AND HANG STANDARDS p. 157

ARWC	Top track	p. 157
AWLS	Single hang standard	p. 158
AWLD	Double hang standard	p. 159

SYSTEM BRACKETS p. 160

ARSB	Single bracket for wire shelves	p. 160
ARWD	Double bracket for wire shelves	p. 161
AROB	Sloping bracket for wire shelves	p. 162
AWSS	Shelf bracket	p. 164
AWSJ	Laminated shelf connector	p. 164
AWSO	Laminated shelf connector	p. 164
AWSD	Shelf bracket	p. 165
AWDO	Laminated shelf connector	p. 165
AWSK	Shelf bracket	p. 166
ARWT	Multifunction bracket	p. 167

SYSTEM SHELVES AND HANGERS p. 168

ARWA	Wire shelf	p. 168
ARWS	Wire shelf with dividers	p. 169
ARWSD	Wire shelf divider	p. 169
ARSH	Shoes bracket	p. 170
ARWK	Shoes shelf	p. 170
ARWJ	Trouser hanger	p. 171
ARDS	Laundry hanger	p. 172
ARDC	Laundry hanger hook	p. 172

SYSTEM BASKETS p. 173

ARWN	Set of wire baskets	p. 173
ARWI	Basket frame	p. 174
ARWL	Wire basket	p. 175
ARWM	Mesh basket	p. 176
ARWO	Plastic box	p. 177
ARWOD	Plastic box lid	p. 177

SYSTEM ACCESSORIES p. 178

ARWH	Clothes bar	p. 178
ARWF	Clothes bar cap	p. 178
ARWP	Bar holder single	p. 179
ARWG	Bar holder double	p. 179
ARHWS	Hook for wire shelves	p. 180

GOLIAT SYSTEM p. 181

ARR	Goliat horizontal rail	p. 181
SGH	Garage hooks	p. 182
ARB	Rail bracket	p. 184
ARC	PE container	p. 185

TOOLBOARDS p. 186

APB	Tool board	p. 186
ARA	Hooks set	p. 186

FLOATING SHELVES



FS p. 24

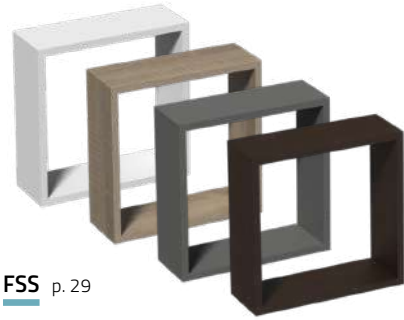


FSG p. 27

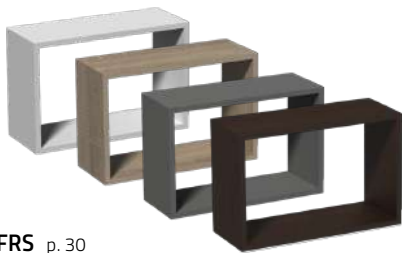
MODULAR SHELVES



FUS p. 28



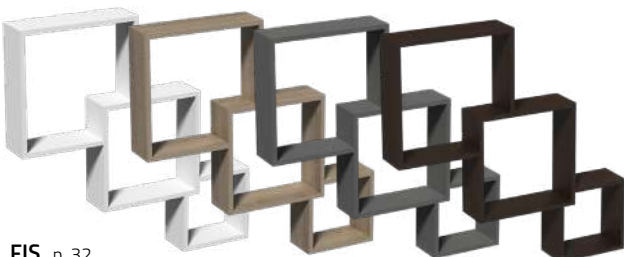
FSS p. 29



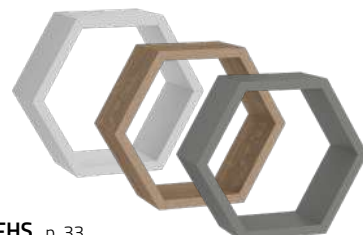
FRS p. 30



FOS p. 31



FIS p. 32



FHS p. 33

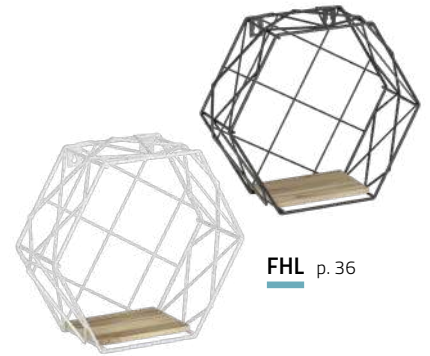
LOFT SHELVES



FUL p. 34



FDL p. 35



FHL p. 36



FTL p. 37



FAL p. 38



FCL p. 39



FWL p. 40



FBL p. 42

BRACKETS



WS p. 46



WSB p. 48



WSM p. 49



WSPP p. 50



WWPW p. 51



WFM p. 52



WFT p. 53



WSR p. 54



HMUN p. 55



WSWP p. 56



WFA p. 58



WFW p. 59



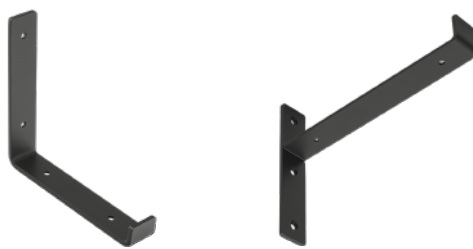
WFP p. 60



WFP p. 61



WFL p. 62



WFJ p. 63



WFN p. 65



WFU p. 66

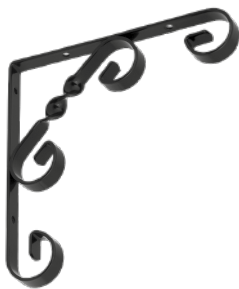
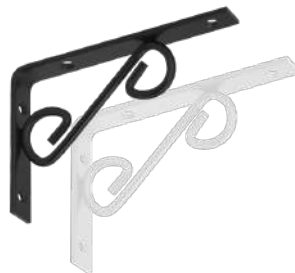
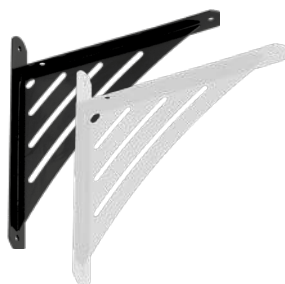


WFI p. 67

FOLDING BRACKETS

**WSA** p. 68**WSC** p. 69**WSF** p. 70**WSG** p. 71**WSG** p. 72

DECORATIVE BRACKETS

**BOW** p. 74**WPR** p. 75**TRAMP** p. 76**WSL** p. 77**WO** p. 78**WOP** p. 79**WFK** p. 80**WFR** p. 81**WOZ** p. 82**WAT** p. 83**WPRP** p. 84**SQUARE** p. 85

DECORATIVE BRACKETS



WOL p. 86



WFD p. 88



WFG p. 89



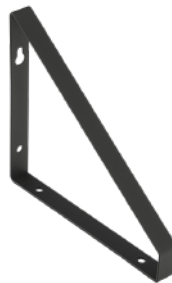
WFS p. 90



WFC p. 91



WFB p. 92



WFB p. 93



WFB p. 95

WOODEN BRACKETS



WDG p. 96



WDGL p. 97

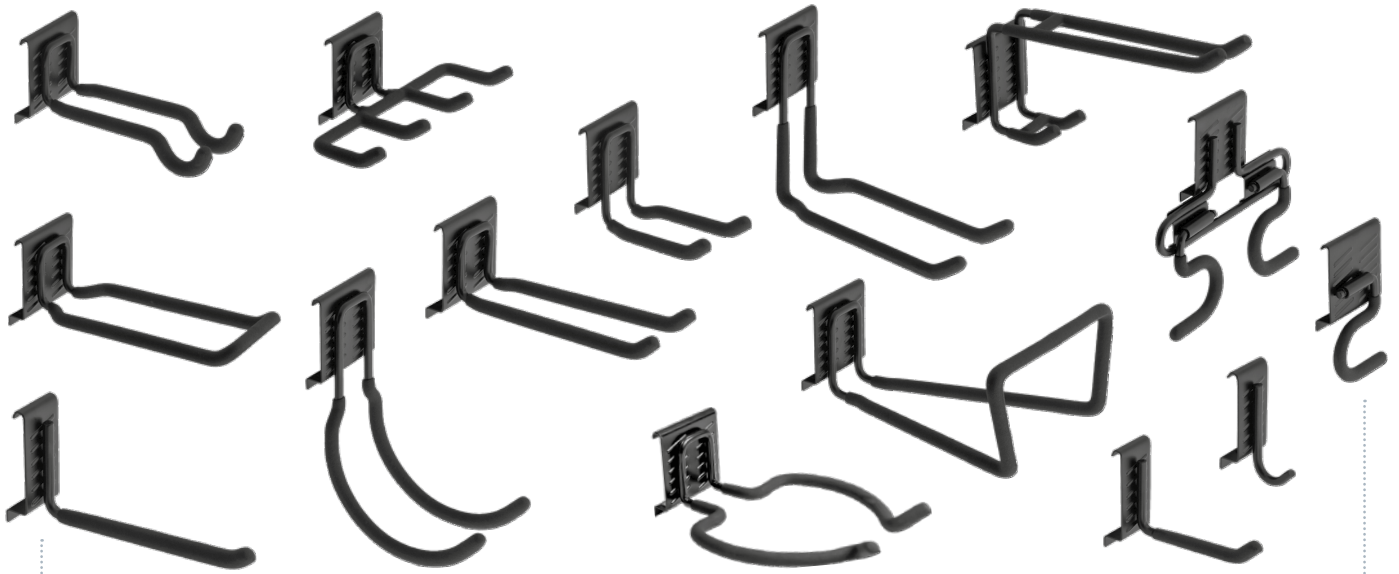


WDP p. 98



WDW p. 99

GOLIAT SYSTEM



SGH p. 102-103



SGS p. 104



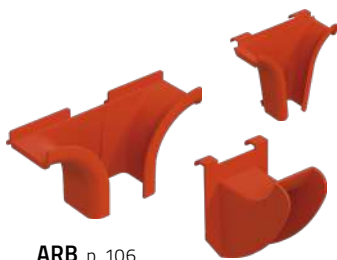
SGL p. 104



SGM p. 104



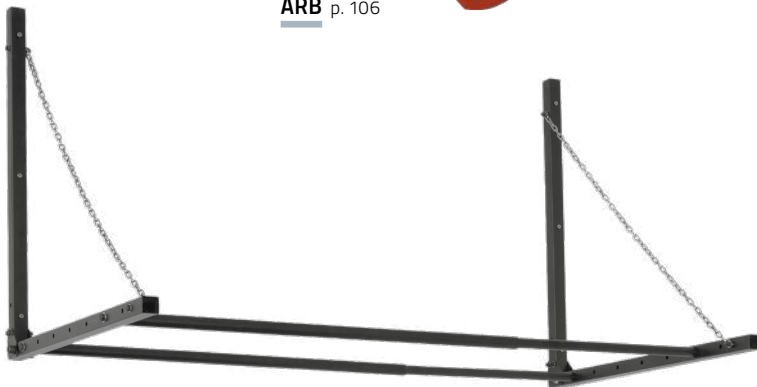
SGK p. 105



ARB p. 106



ARC p. 107



SGO p. 108



SGR p. 109

WALL HOOKS



HDS p. 110



H2P p. 110



HPP p. 111



HPU p. 112



H2U p. 113



HMU p. 114



HO p. 115



HW p. 115



HWO p. 115



HST p. 116



W2P p. 116



HSP p. 117



HR p. 118



HWS p. 118



PGS p. 119



PGU p. 119

HOLDERS ■ HOOKS ■ CONTAINERS



PGW 6 p. 125



PGW 2 p. 121



PGW 1 p. 120



PGW 5 p. 124



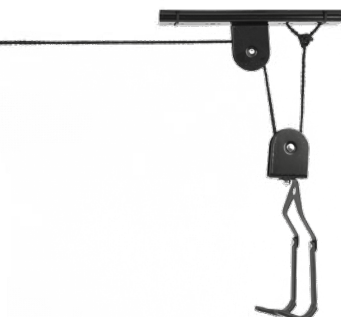
PGW 3 p. 122



PGW 4 p. 123



PGR 1 p. 126



PGR 2 p. 127



PGR 4 p. 127



PGR 5 p. 127

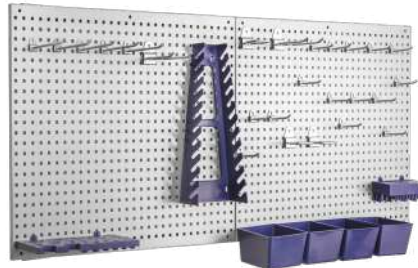


PGR 3 p. 127

HOLDERS ■ HOOKS ■ CONTAINERS



PGF p. 128



PGT 1 p. 130



PGT 2 p. 131



PGP 1 p. 132



PGP 3-5 p. 133



UMA p. 134



UMZ p. 135



UMC p. 136



UMD p. 136



UK p. 138-139



PGH p. 137



KDA p. 139



WOODEN CLOTHING HOOKS



WUE p. 142



WUF p. 142



WUW p. 143



WUC p. 144



WUM p. 144

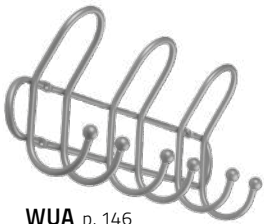


WUN p. 145

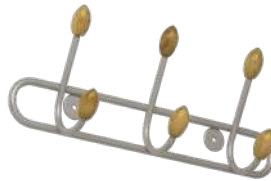


WUS p. 145

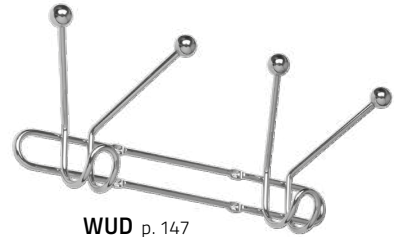
METAL CLOTHING HOOKS



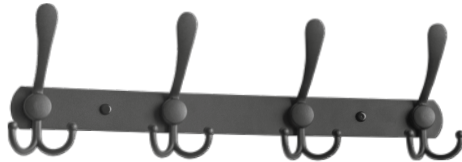
WUA p. 146



WUB p. 147



WUD p. 147



WUH p. 148



WUI p. 148



WUP p. 149



WUR p. 149



WUO p. 150



WUY p. 152



WUT p. 153

TOP TRACKS AND HANG STANDARDS



ARWC p. 157



AWLS p. 158



AWLD p. 159

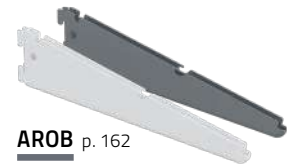
SYSTEM BRACKETS



ARSB p. 160



ARWD p. 161



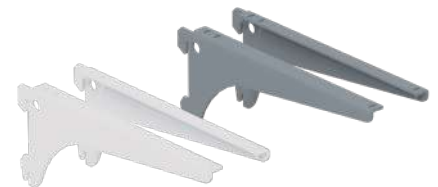
AROB p. 162



AWSS p. 164



AWSD p. 165



AWSK p. 166



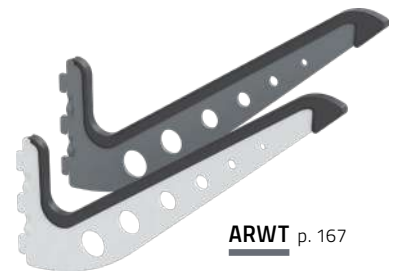
AWSJ p. 164



AWSO p. 164



AWDO p. 165

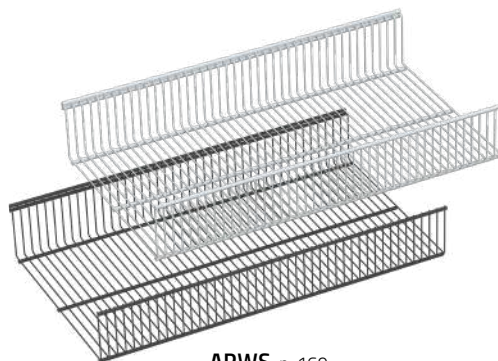


ARWT p. 167

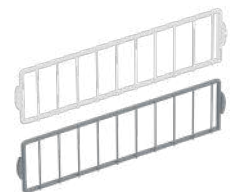
SYSTEM SHELVES AND HANGERS



ARWA p. 168

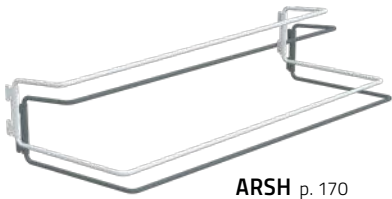


ARWS p. 169

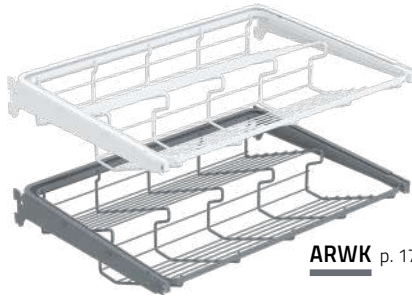


ARWSD p. 169

SYSTEM SHELVES AND HANGERS



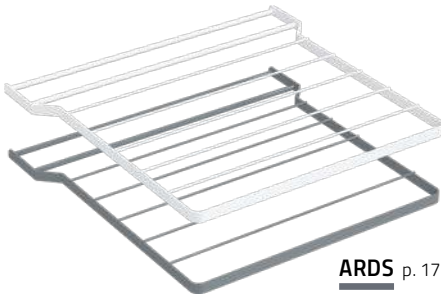
ARSH p. 170



ARWK p. 170



ARWJ p. 171



ARDS p. 172

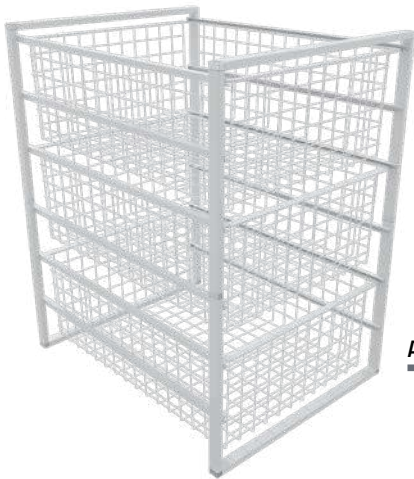


ARDC p. 172



ARWI p. 174

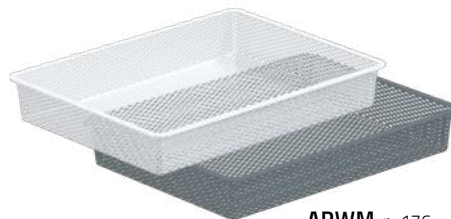
SYSTEM BASKETS



ARWN p. 173



ARWL p. 175



ARWM p. 176



ARWO p. 177



ARWOD p. 177

SYSTEM ACCESSORIES



ARWH p. 178



ARWF p. 178



ARWP p. 179

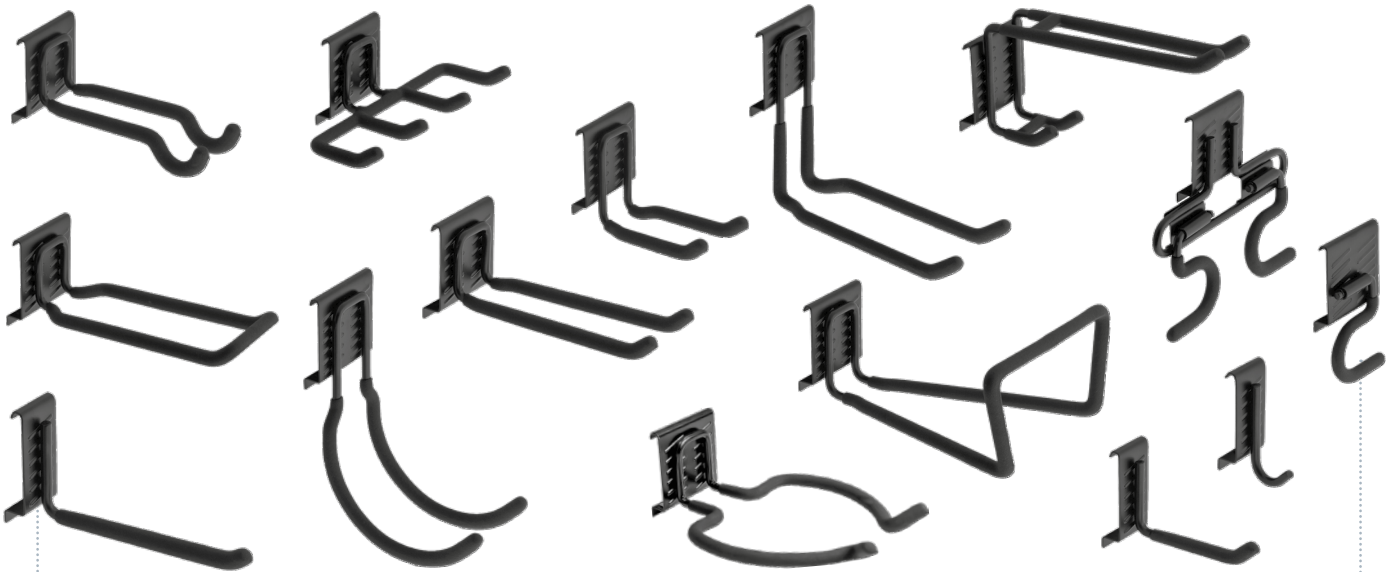


ARWG p. 179



ARHWS p. 180

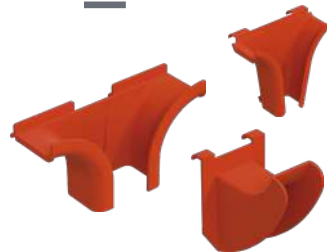
GOLIAT SYSTEM



SGH p. 182-183



ARR p. 181

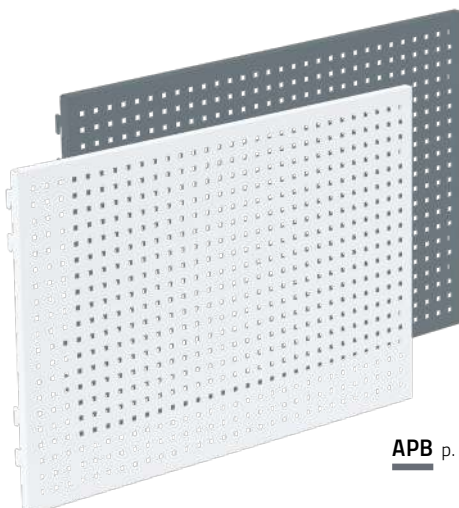


ARB p. 184

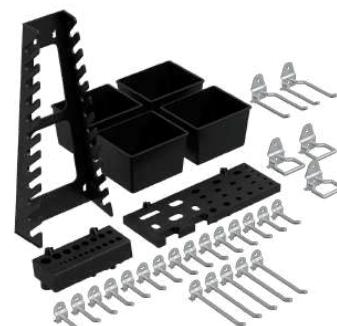


ARC p. 185

TOOLBOARDS



APB p. 186

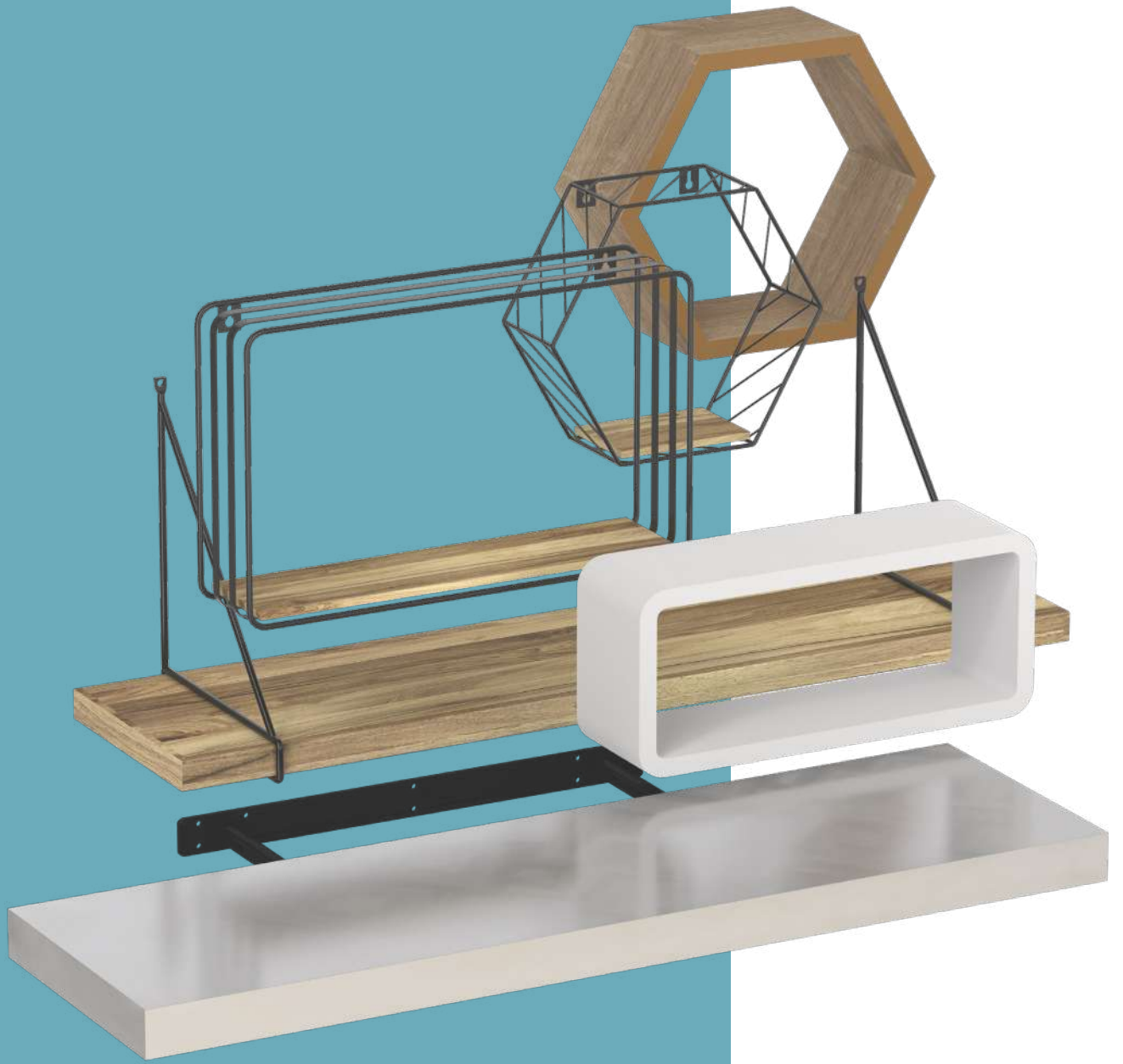


ARA s.186



APB	p. 186	H2P	p. 110	WFC	p. 91
ARA	p. 186	H2U	p. 113	WFD	p. 88
ARB	p. 106, 184	HDS	p. 110	WFE	p. 92
ARC	p. 107, 185	HMUN	p. 55	WFF	p. 61
ARDC	p. 172	HMU	p. 114	WFG	p. 89
ARDS	p. 172	HO	p. 115	WFI	p. 67
ARHWS	p. 180	HPP	p. 111	WFJ	p. 63
AROB	p. 162	HPU	p. 112	WFK	p. 80
ARR	p. 181	HR	p. 118	WFL	p. 62
ARSB	p. 160	HSP	p. 117	WFM	p. 52
ARSH	p. 170	HST	p. 116	WFN	p. 65
ARWA	p. 168	HWO	p. 115	WFP	p. 60
ARWC	p. 157	HWS	p. 118	WFR	p. 81
ARWD	p. 161	KDA	p. 139	WFS	p. 90
ARWF	p. 178	PGF	p. 128	WFT	p. 53
ARWG	p. 179	PGH	p. 137	WFU	p. 66
ARWH	p. 178	PGP	p. 132	WJV	p. 95
ARWI	p. 174	PGR 1	p. 126	WFW	p. 59
ARWJ	p. 171	PGR 2	p. 127	WOL	p. 86
ARWK	p. 170	PGR 3	p. 127	WOP	p. 79
ARWL	p. 175	PGR 4	p. 127	WO	p. 78
ARWM	p. 176	PGR 5	p. 127	WOZ	p. 82
ARWN	p. 173	PGS	p. 119	WPRP	p. 84
ARWOD	p. 177	PGT 1	p. 130	WPR	p. 75
ARWO	p. 177	PGT 2	p. 131	WSA	p. 68
ARWP	p. 179	PGU	p. 119	WSB	p. 48
ARWSD	p. 169	PGW 1	p. 120	WSC	p. 69
ARWS	p. 169	PGW 2	p. 121	WSF	p. 70
ARWT	p. 167	PGW 3	p. 122	WSG	p. 71
AWDO	p. 165	PGW 4	p. 123	WSL	p. 77
AWLD	p. 159	PGW 5	p. 124	WSM	p. 49
AWLS	p. 158	PGW 6	p. 125	WSN	p. 72
AWSD	p. 165	SGH	p. 102, 182	WSPP	p. 50
AWSJ	p. 164	SGK	p. 105	WSR	p. 54
AWSK	p. 166	SGL	p. 104	WS	p. 46
AWSO	p. 164	SGM	p. 104	WSWP	p. 56
AWSS	p. 164	SGO	p. 108	WUA	p. 146
BOW	p. 74	SGR	p. 109	WUB	p. 147
FAL	p. 38	SGS	p. 104	WUC	p. 144
FBL	p. 42	SQUARE	p. 85	WUD	p. 147
FCL	p. 39	TRAMP	p. 76	WUE	p. 142
FDL	p. 35	UK	p. 138	WUF	p. 142
FHL	p. 36	UMA	p. 134	WUH	p. 148
FHS	p. 33	UMC	p. 136	WUI	p. 148
FIS	p. 32	UMD	p. 136	WUM	p. 144
FOS	p. 31	UMZ	p. 135	WUN	p. 145
FRS	p. 30	W2P	p. 116	WUO	p. 150
FSG	p. 27	WAT	p. 83	WUP	p. 149
FS	p. 24	WDGL	p. 97	WUR	p. 149
FSS	p. 29	WDG	p. 96	WUS	p. 145
FTL	p. 37	WDP	p. 98	WUT	p. 153
FUL	p. 34	WDW	p. 99	WUW	p. 143
FUS	p. 28	WFA	p. 58	WUY	p. 152
FWL	p. 40	WFB	p. 93	WWPW	p. 51





SHELVES

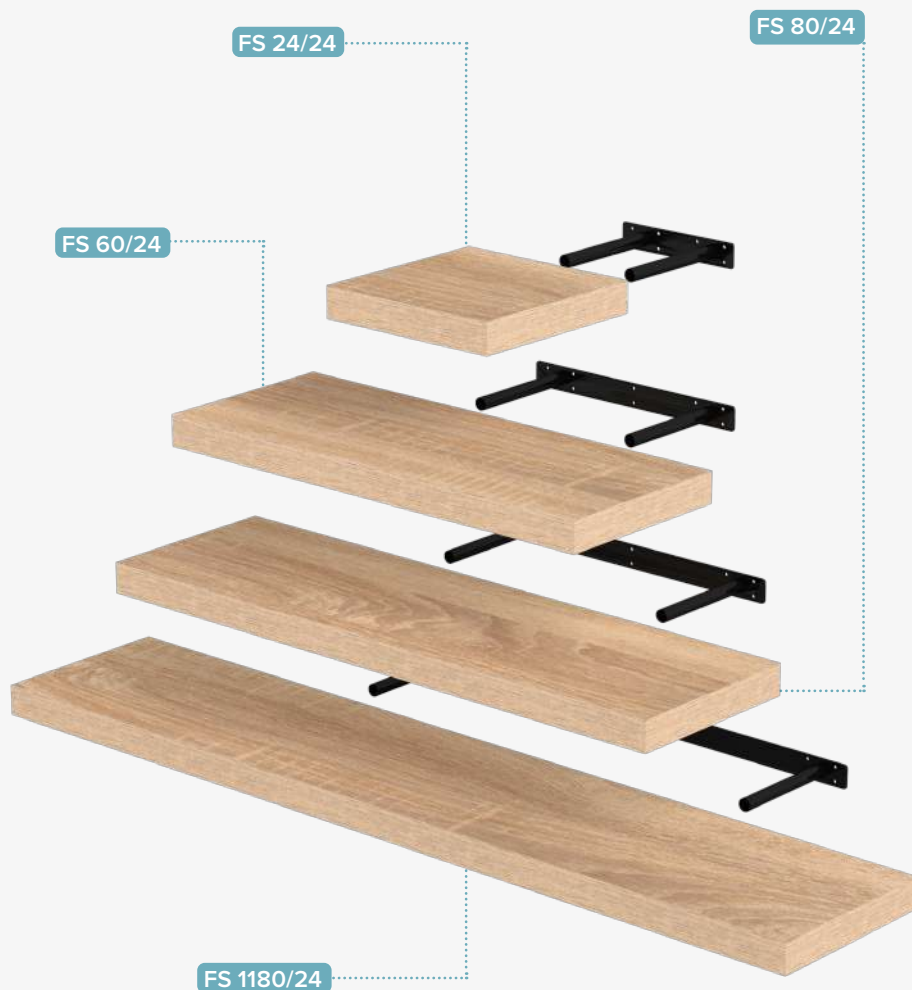
FS

Floating shelf

Application Shelves with hidden mounting with a subtle, timeless style. They are ideal for any room, used to store books, photos, or souvenirs. They are equipped with internal brackets, so that the attachment with the wall is completely invisible from the outside, and the shelf looks very aesthetically pleasing. Additional holes in the lower part, allow for stable tightening of the bracket. The set consists of a shelf, bracket and a set of screws $\varnothing 3.5 \times 20$, $\varnothing 5 \times 45$ (including colored capsdown to mask the hole) and mounting dowels $\varnothing 8 \times 40$ for fixing into the wall.

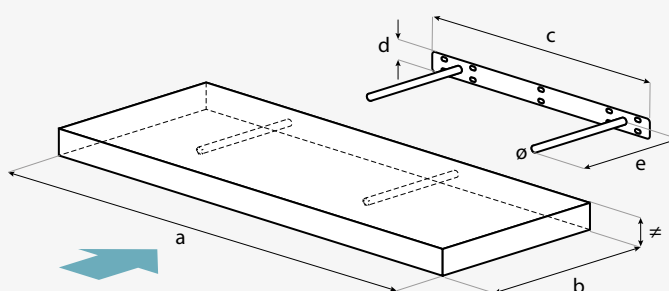
Material Shelf: chipboard, MDF, plastic edge, color: white or light gray, or black, or sonoma oak, or apple tree, or wenge; bracket: powder coated steel.

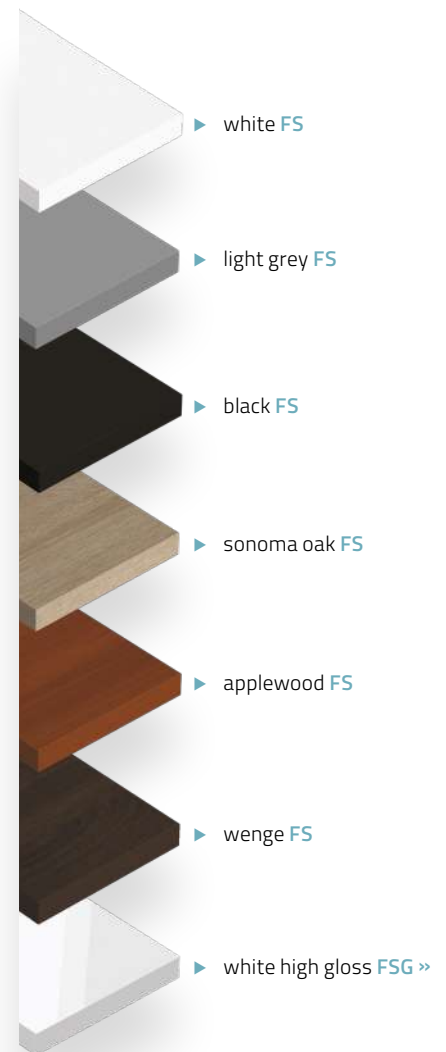
Mounting Using the components included in the kit.



AESTHETIC FINISHING

- ▶ after fixing the bracket to the wall, settle the shelf in the prepared holes (1)
- ▶ tighten the shelf with screws (2)
- ▶ use the cap to mask the hole (3)

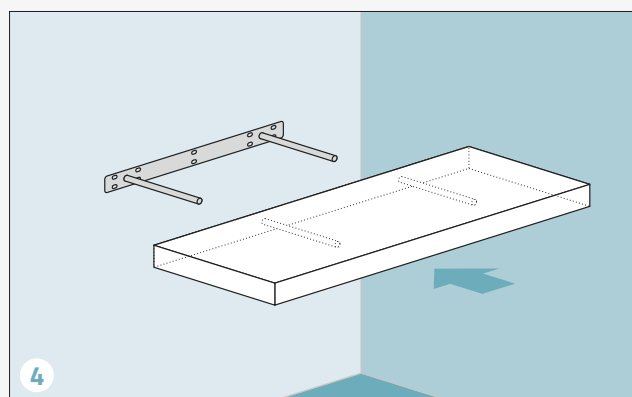
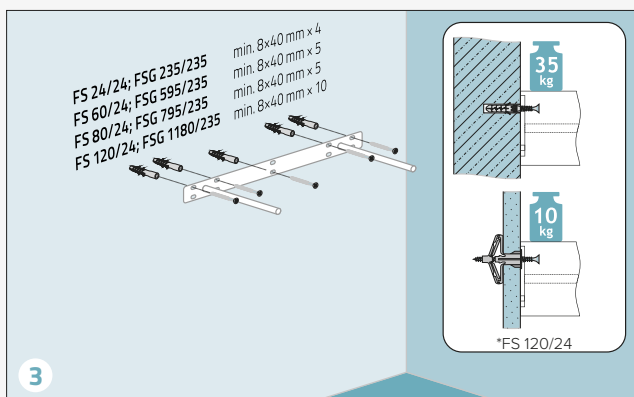
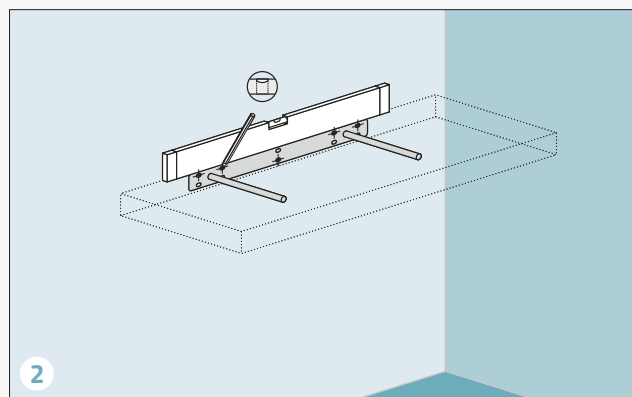
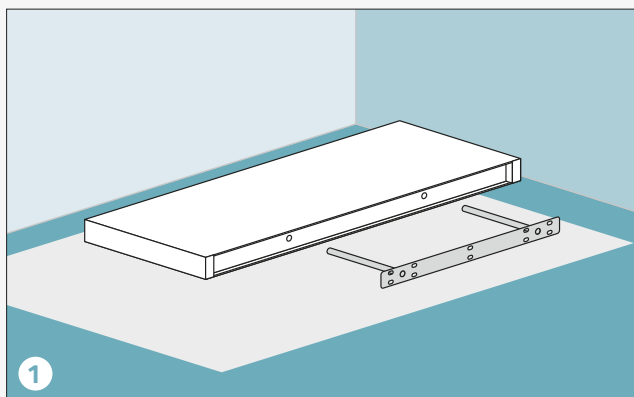




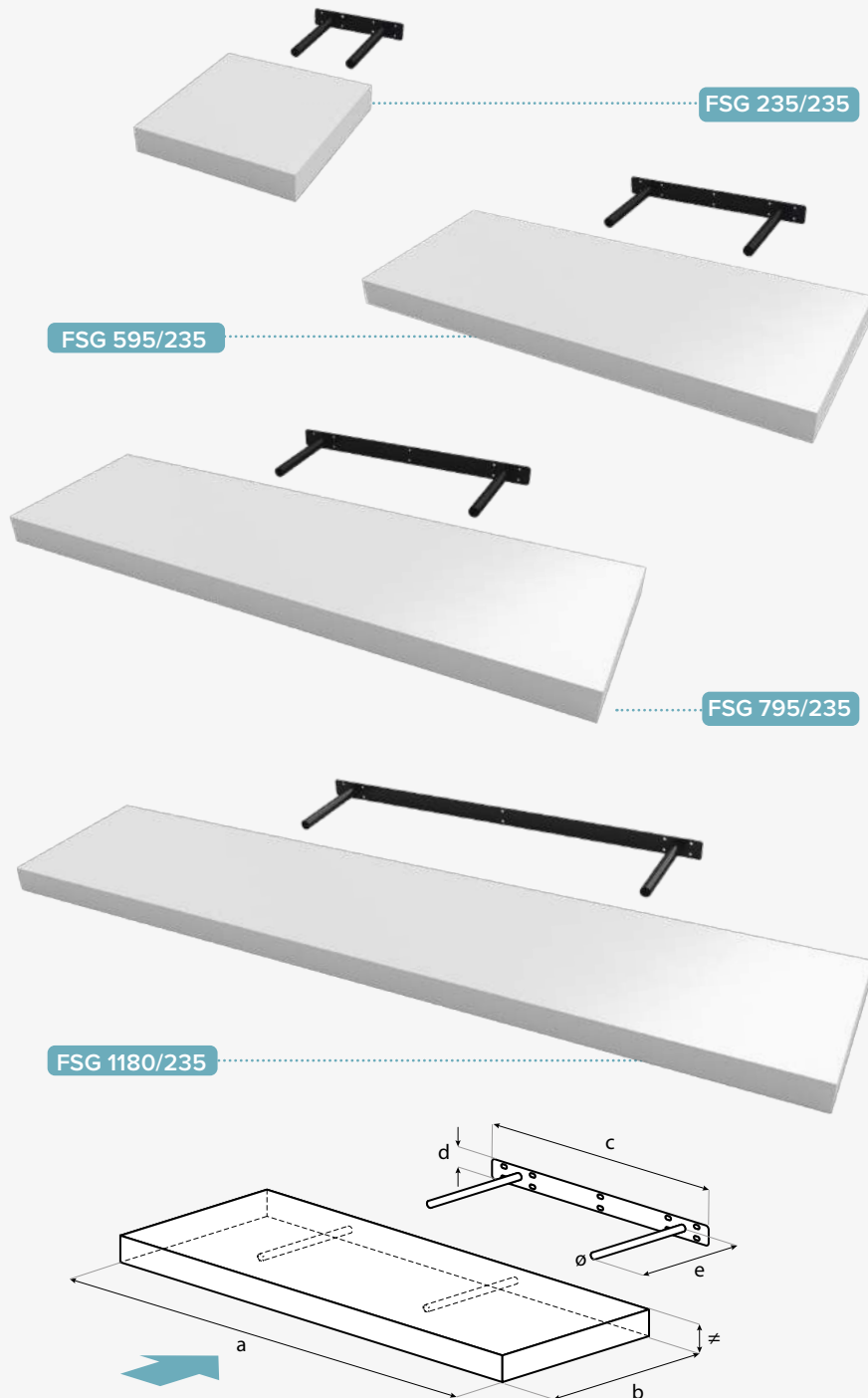
name	color	art. no.	shelf dimensions [mm]			bracket dimensions [mm]				hole [mm]		screws [pcs]		dowels [pcs]	weight [g]	pack. [pcs]
			a	b	≠	c	d	e	≠	ø	ø4,8	ø3,5×20	ø5×45	ø8×40		
FS 24/24	white	65050	235	235	38	165	30	80	2,5	16	8	2	4	4	770	3
	light grey	65065	235	235	38	165	30	80	2,5	16	8	2	4	4	770	3
	black	65062	235	235	38	165	30	80	2,5	16	8	2	4	4	770	3
	sonoma oak	65057	235	235	38	165	30	80	2,5	16	8	2	4	4	770	3
	applewood	65052	235	235	38	165	30	80	2,5	16	8	2	4	4	770	3
	wenge	65054	235	235	38	165	30	80	2,5	16	8	2	4	4	770	3
FS 60/24	white	65080	595	235	38	300	30	150	3,0	16	10	2	5	5	1720	3
	light grey	65095	595	235	38	300	30	150	3,0	16	10	2	5	5	1720	3
	black	65092	595	235	38	300	30	150	3,0	16	10	2	5	5	1720	3
	sonoma oak	65087	595	235	38	300	30	150	3,0	16	10	2	5	5	1720	3
	applewood	65082	595	235	38	300	30	150	3,0	16	10	2	5	5	1720	3
	wenge	65084	595	235	38	300	30	150	3,0	16	10	2	5	5	1720	3
FS 80/24	white	65110	795	235	38	400	30	150	3,0	16	10	2	5	5	2290	3
	light grey	65125	795	235	38	400	30	150	3,0	16	10	2	5	5	2290	3
	black	65122	795	235	38	400	30	150	3,0	16	10	2	5	5	2290	3
	sonoma oak	65117	795	235	38	400	30	150	3,0	16	10	2	5	5	2290	3
	applewood	65112	795	235	38	400	30	150	3,0	16	10	2	5	5	2290	3
	wenge	65114	795	235	38	400	30	150	3,0	16	10	2	5	5	2290	3
FS 118/24	white	65140	1180	235	38	650	30	150	3,0	16	10	2	10	10	3130	3
	light grey	65155	1180	235	38	650	30	150	3,0	16	10	2	10	10	3130	3
	black	65152	1180	235	38	650	30	150	3,0	16	10	2	10	10	3130	3
	sonoma oak	65147	1180	235	38	650	30	150	3,0	16	10	2	10	10	3130	3
	applewood	65142	1180	235	38	650	30	150	3,0	16	10	2	10	10	3130	3
	wenge	65144	1180	235	38	650	30	150	3,0	16	10	2	10	10	3130	3



Mounting FSG



- Application** The FSG shelf draws the eye with its high-gloss surface. The glossy layer makes the light reflecting in it create vibrant reflections. The shelf with its classic shape and elegant finish will beautifully blend into the space of a living room, bedroom or kitchen. The set consists of the shelf and a set of screws $\varnothing 3.5 \times 20$, $\varnothing 5 \times 45$ and mounting dowels $\varnothing 8 \times 40$ for fixing in the wall.
- Material** Shelf: chipboard, MDF, plastic edge, color: white high gloss; bracket: powder coated steel.
- Mounting** Using the components included in the kit.



FSG

Floating shelf
(high gloss)



name	color	art. no.	shelf dimensions [mm]			bracket dimensions [mm]				hole [mm]		screws [pcs]		dowels [pcs]	weight [g]	pack. [pcs]	
			a	b	≠	c	d	e	≠	ø	ø4,8	ø3,5×20	ø5×45	ø6×30			
FSG 235/235	white high gloss	65070	235	235	38	165	30	80	2,5	16	8	8	2	4	4	770	3
FSG 595/235	white high gloss	65100	595	235	38	300	30	150	3,0	16	10	10	2	5	5	1720	3
FSG 795/235	white high gloss	65130	795	235	38	400	30	150	3,0	16	10	10	2	5	5	2290	3
FSG 1180/235	white high gloss	65160	1180	235	38	650	30	150	3,0	16	10	10	2	10	10	3130	3

FUS

Modular shelf

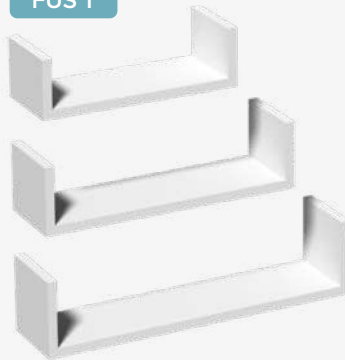
Application Domax Home modular shelves are both a functional and decorative addition to interiors. Their minimalist design will perfectly fit into modern rooms and give them a fresh look. Thanks to the „U” shape that protects the sides of the shelves, they provide an ideal place, first of all, for books, but also for photos, souvenirs or other decorations. The set consists of 3 shelves and a set of screws $\varnothing 4 \times 35$ and mounting dowels $\varnothing 6 \times 30$ for fixing in the wall.

Material MDF board, color: white or sonoma oak, or gray, or wenge.

Mounting Using the components included in the kit.



FUS 1



▶ white

FUS 1



▶ sonoma oak

FUS 1

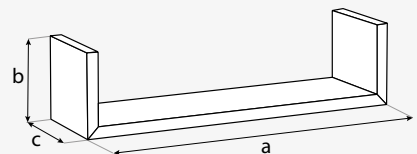


▶ gray

FUS 1



▶ wenge



name	color	art. no.	shelf dimensions [mm]				hole [mm]	screws [pcs]	dowels [pcs]	weight [g]	pack. [pcs]
			a	b	c	≠					
FUS 1	white	67111	420/340/260	100/88/76	100	12	$\varnothing 4,5/\varnothing 8 \times 25$	$\varnothing 4 \times 35$	$\varnothing 6 \times 30$	1505	3
	sonoma oak	67113	420/340/260	100/88/76	100	12	6	6	6	1505	3
	gray	67112	420/340/260	100/88/76	100	12	6	6	6	1505	3
	wenge	67114	420/340/260	100/88/76	100	12	6	6	6	1505	3

Application FSS modular shelves are a great way to gain more space for trinkets. They are ideal for storing photos, souvenirs or other decorations. Thanks to their minimalist shape, they are perfect for rooms with a modern design. Each of the FSS modular shelves is of different sizes, which allows you to compose any interesting arrangement. The set consists of 3 shelves and a set of screws $\varnothing 4 \times 35$ and mounting dowels $\varnothing 6 \times 30$ for fixing in the wall.

Material MDF board, color: white or sonoma oak, or gray, or wenge.

Mounting Using the components included in the kit.



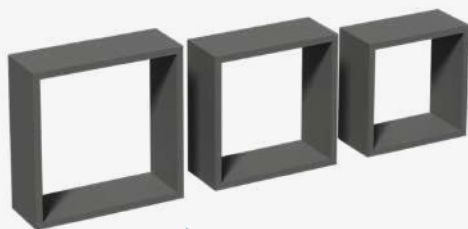
▶ white

FSS 100



▶ sonoma oak

FSS 100



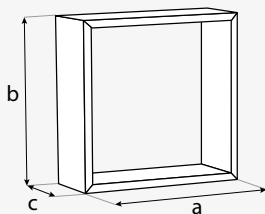
▶ gray

FSS 100



▶ wenge

FSS 100



FSS

Modular shelf



name	color	art. no.	shelf dimensions [mm]				hole [mm]	screws [pcs]	dowels [pcs]	weight [g]	pack. [pcs]
			a	b	c	≠					
FSS 100	white	67221	270/240/210	270/240/210	100	12	6	6	6	2698	3
	sonoma oak	67223	270/240/210	270/240/210	100	12	6	6	6	2698	3
	gray	67222	270/240/210	270/240/210	100	12	6	6	6	2698	3
	wenge	67224	270/240/210	270/240/210	100	12	6	6	6	2698	3

FRS

Modular shelf



Application

FRS modular shelves will work well in any type of room. A set of three shelves of different shapes makes it possible to create any decorative composition and adapt it to your needs. Thanks to their minimalist shape, they will perfectly fit into spaces with modern design. They will be perfect for storing photos, souvenirs or other decorations. The set consists of 3 shelves and a set of screws $\varnothing 4 \times 35$ and mounting dowels $\varnothing 6 \times 30$ for fixing in the wall.

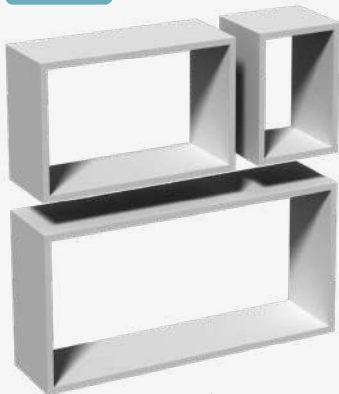
Material

MDF board, color: white or sonoma oak, or gray, or wenge.

Mounting

Using the components included in the kit.

FRS 1



▶ white

FRS 1



▶ gray

FRS 1

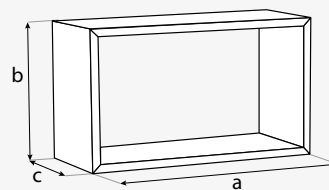


▶ sonoma oak

FRS 1



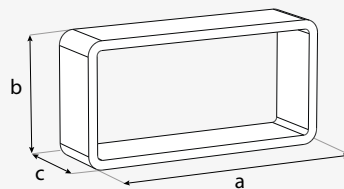
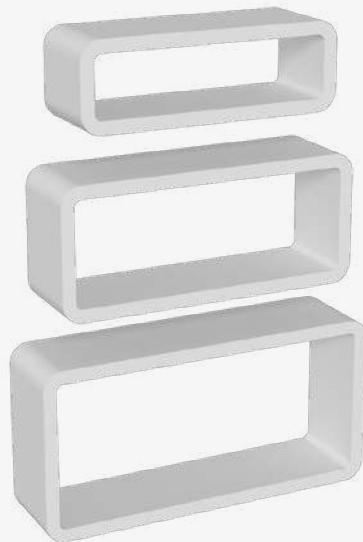
▶ wenge



name	color	art. no.	shelf dimensions [mm]				hole [mm]	screws [pcs]	dowels [pcs]	weight [g]	pack. [pcs]
			a	b	c	≠					
FRS 1	white	67911	600/380/170	300/250/250	150	12	$\varnothing 4,5/\varnothing 8 \times 25$	$\varnothing 4 \times 35$	$\varnothing 6 \times 30$	5460	3
	sonoma oak	67913	600/380/170	300/250/250	150	12	$\varnothing 4,5/\varnothing 8 \times 25$	$\varnothing 4 \times 35$	$\varnothing 6 \times 30$	5460	3
	gray	67912	600/380/170	300/250/250	150	12	$\varnothing 4,5/\varnothing 8 \times 25$	$\varnothing 4 \times 35$	$\varnothing 6 \times 30$	5460	3
	wenge	67914	600/380/170	300/250/250	150	12	$\varnothing 4,5/\varnothing 8 \times 25$	$\varnothing 4 \times 35$	$\varnothing 6 \times 30$	5460	3

- Application** FOS modular shelves are functional accessory for any interior and are sure to attract attention and refresh the appearance of the room in which they are located. Their interesting and minimalist rectangular shape with rounded corners makes them perfectly suited to rooms arranged in a modern style. They are ideal for storing photos, souvenirs or other decorations. The set consists of 3 shelves and a set of screws $\varnothing 4 \times 35$ and mounting dowels $\varnothing 6 \times 30$ for fixing in the wall.
- Material** MDF board, color: white.
- Mounting** Using the components included in the kit.

FOS 100



name	color	art. no.	shelf dimensions [mm]				hole [mm]	screws [pcs]	dowels [pcs]	weight [g]	pack. [pcs]
			a	b	c	≠					
FOS 100	white	67101	400/350/300	200/150/100	100	15	$\varnothing 4 / \varnothing 7 \times 12$	$\varnothing 4 \times 35$	$\varnothing 6 \times 30$	3275	6



FOS

Modular shelf

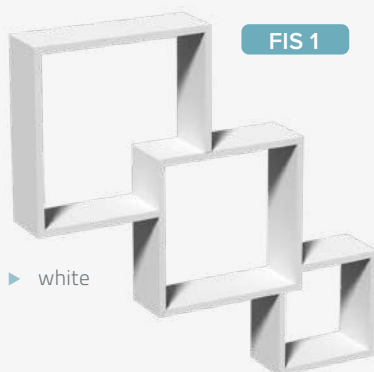


FIS

Modular shelf

Application FIS modular shelves with a modern shape perfectly fit both modern and traditional rooms. They add unique style and functionality to interiors. They are sure to attract attention and refresh the appearance of the room in which they are located. Wall shelves are a great way to gain more space for trinkets. You can put photos, souvenirs or other decorations on them. The set consists of 3 shelves and a set of screws $\varnothing 4 \times 35$, confirms $\varnothing 5 \times 40$ and mounting dowels $\varnothing 6 \times 30$ for fixing in the wall.

Material MDF board, color: white or sonoma oak, or gray, or wenge.
Mounting Using the components included in the kit.



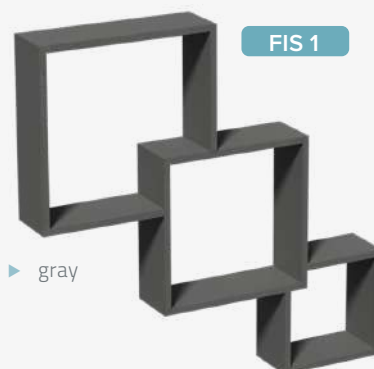
▶ white

FIS 1



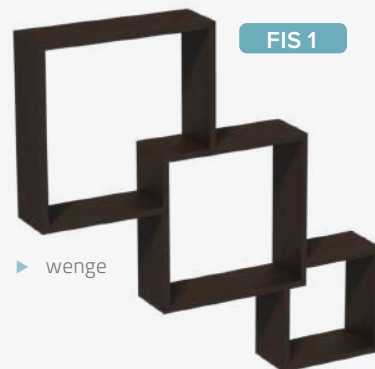
▶ dąb sonoma

FIS 1



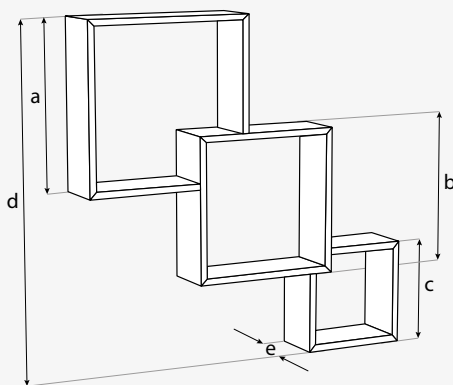
▶ gray

FIS 1



▶ wenge

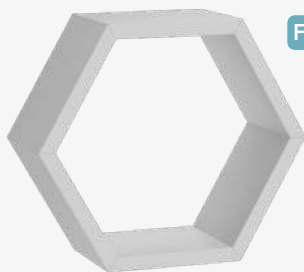
FIS 1



name	color	art. no.	shelf dimensions [mm]						hole [mm]	confirmats [pcs]	screws [pcs]	dowels [pcs]	weight [g]	pack. [pcs]
			a	b	c	d	e	≠						
FIS 1	white	67311	320	280	200	655	100	12	2	8	2	2	4092	3
	sonoma oak	67313	320	280	200	655	100	12	2	8	2	2	4021	3
	gray	67312	320	280	200	655	100	12	2	8	2	2	4092	3
	wenge	67314	320	280	200	655	100	12	2	8	2	2	4092	3

Application If you want to add variety to your wall, FHS modular shelves with an interesting futuristic hexagonal shape are the perfect solution. The shelves are sure to draw the eye and refresh the look of the room in which they are located. They are perfect for both modern and traditional interiors. They will be great for storing photos, souvenirs or other decorations. Hexagons come in three colors, which can be combined with each other to create many interesting compositions. The set consists of 1 shelf and a set of screws $\varnothing 4 \times 35$ and mounting dowels $\varnothing 6 \times 30$ for fixing in the wall.

Material MDF board, color: white or sonoma oak, or gray.
Mounting Using the components included in the kit.



FHS 300

▶ white



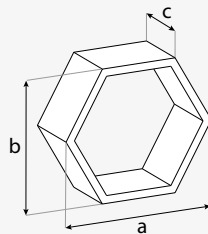
FHS 300

▶ sonoma oak



FHS 300

▶ gray



FHS

Hexagon shelf

name	color	art. no.	shelf dimensions [mm]				hole [mm] $\varnothing 4,5/\varnothing 8 \times 30$	screws [pcs] $\varnothing 4 \times 35$	dowels [pcs] $\varnothing 6 \times 30$	weight [g]	pack. [pcs]
			a	b	c	≠					
FHS 300	white	67701	260	300	115	18	2	2	2	1278	3
	sonoma oak	67703	260	300	115	18	2	2	2	1278	3
	gray	67702	260	300	115	18	2	2	2	1278	3



FUL

Loft shelf

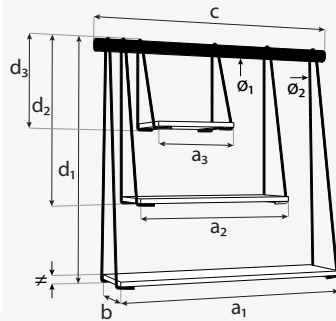
Application Hanging loft shelf. Its design is based on a solid metal beam, which has been visually contrasted with thin metal bars. Wooden shelves of three proportionally decreasing widths are attached to the bars. The FUL shelf will perfectly compose with flowers, photographs or decorative elements.

Material Shelf: pine wood; bracket: powder coated steel, color: black.

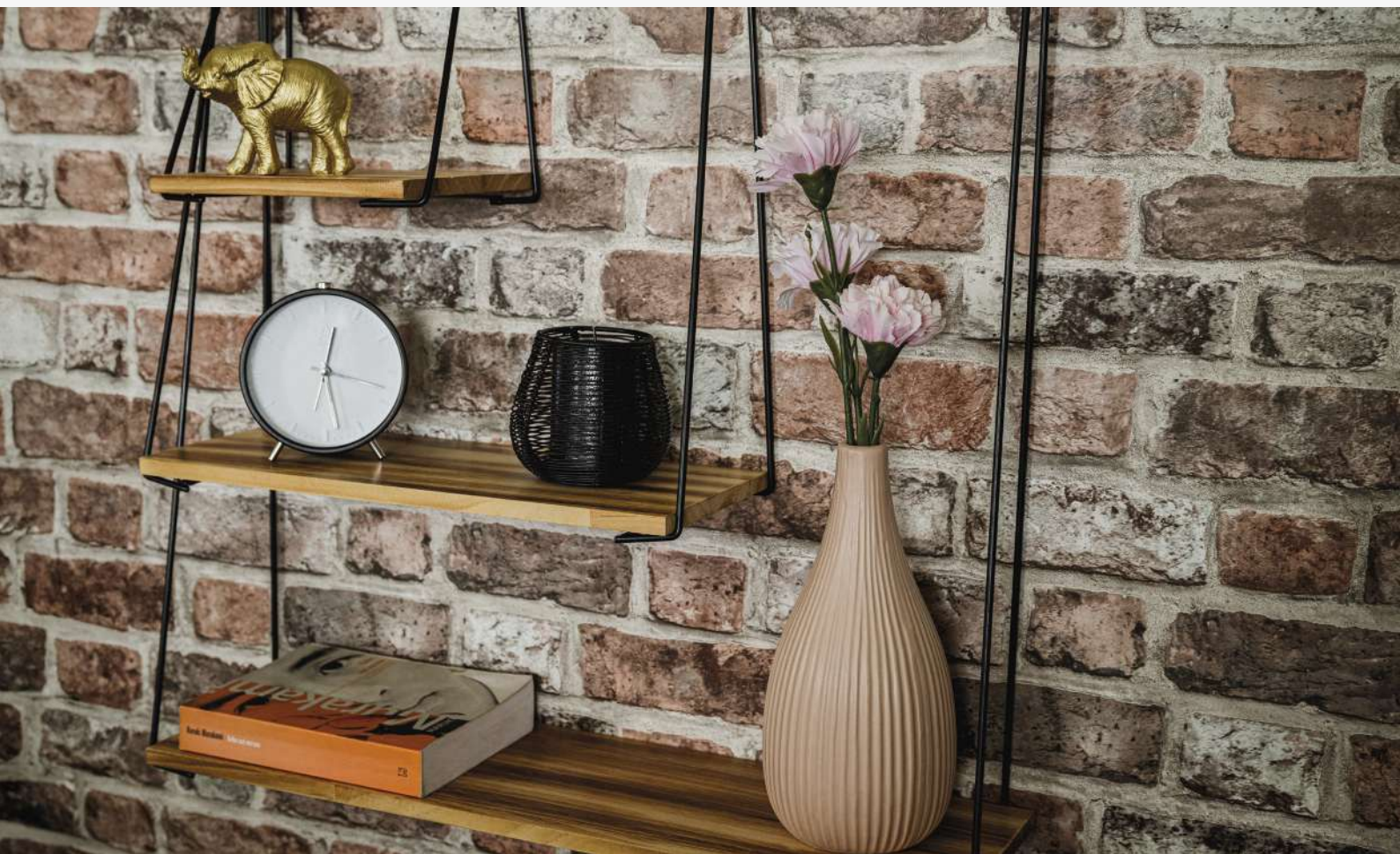
Mounting Different types of walls require different types of fasteners. Always use screws, bolts or dowels designed for the appropriate type of wall. The maximum load of an element always depends on the type of wall, the fixing used and the method of loading.



FUL 1



name	color	art. no.	shelf dimensions [mm]			bracket dimensions [mm]				hole [mm]		screws [pcs]		dowels [pcs]	weight [g]	pack. [pcs]
			a	b	≠	c	d	ø1	ø2	ø3	ø5/ø8×15	ø3×7	ø4×30	ø6×30		
FUL 1	pine wood + black	67810	600/400/200	165	12	655	630/420/250	32	6	12	2	12	6	6	2600	1



Application Loft shelf based on the use of a ladder structure made of elegant black rods with three equally wide wooden shelves. It will be great as a decorative piece of furniture, providing storage space at the same time.

Material Shelf: pine wood; bracket: powder coated steel, color: black.

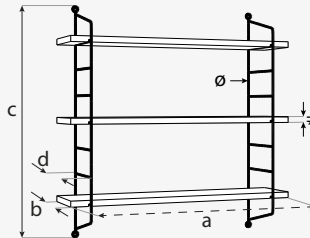
Mounting Different types of walls require different types of fasteners. Always use screws, bolts or dowels designed for the appropriate type of wall. The maximum load of an element always depends on the type of wall, the fixing used and the method of loading.

FDL

Loft shelf



FDL 1



name	color	art. no.	shelf dimensions [mm]			bracket dimensions [mm]			hole [mm]	screws [pcs]	dowels [pcs]	weight [g]	pack. [pcs]
			a	b	≠	c	d	ø	ø6	ø4×30	ø6×30		
FDL 1	pine wood + black	67814	600	138	15	600	150	5	4	4	4	3100	1



FHL

Loft shelf

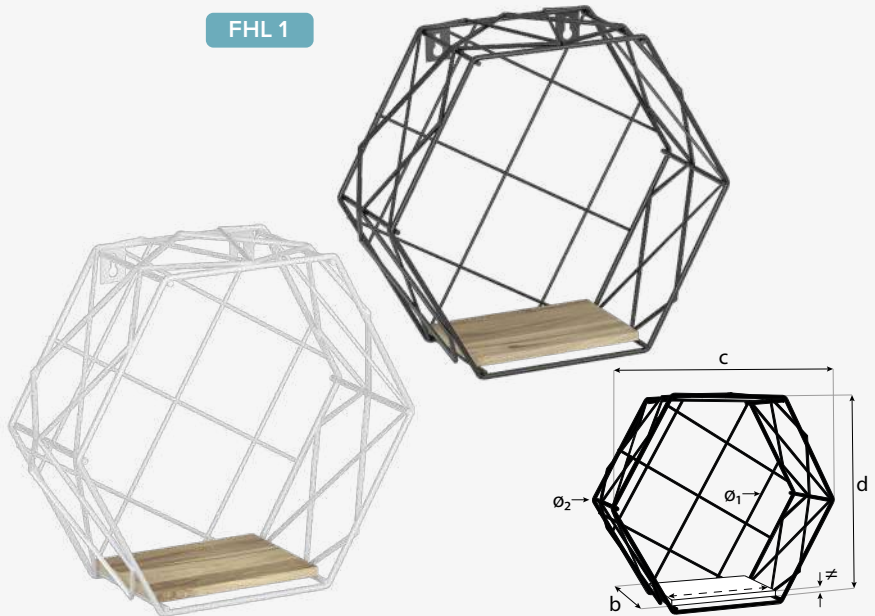
Application Decorative loft hanging shelf with a distinctive honeycomb shape, which was created with a modern grid, made of thin rods. It will perfectly highlight a decorative object that is important to us.

Material Shelf: pine wood; bracket: powder coated steel, color: white or black.

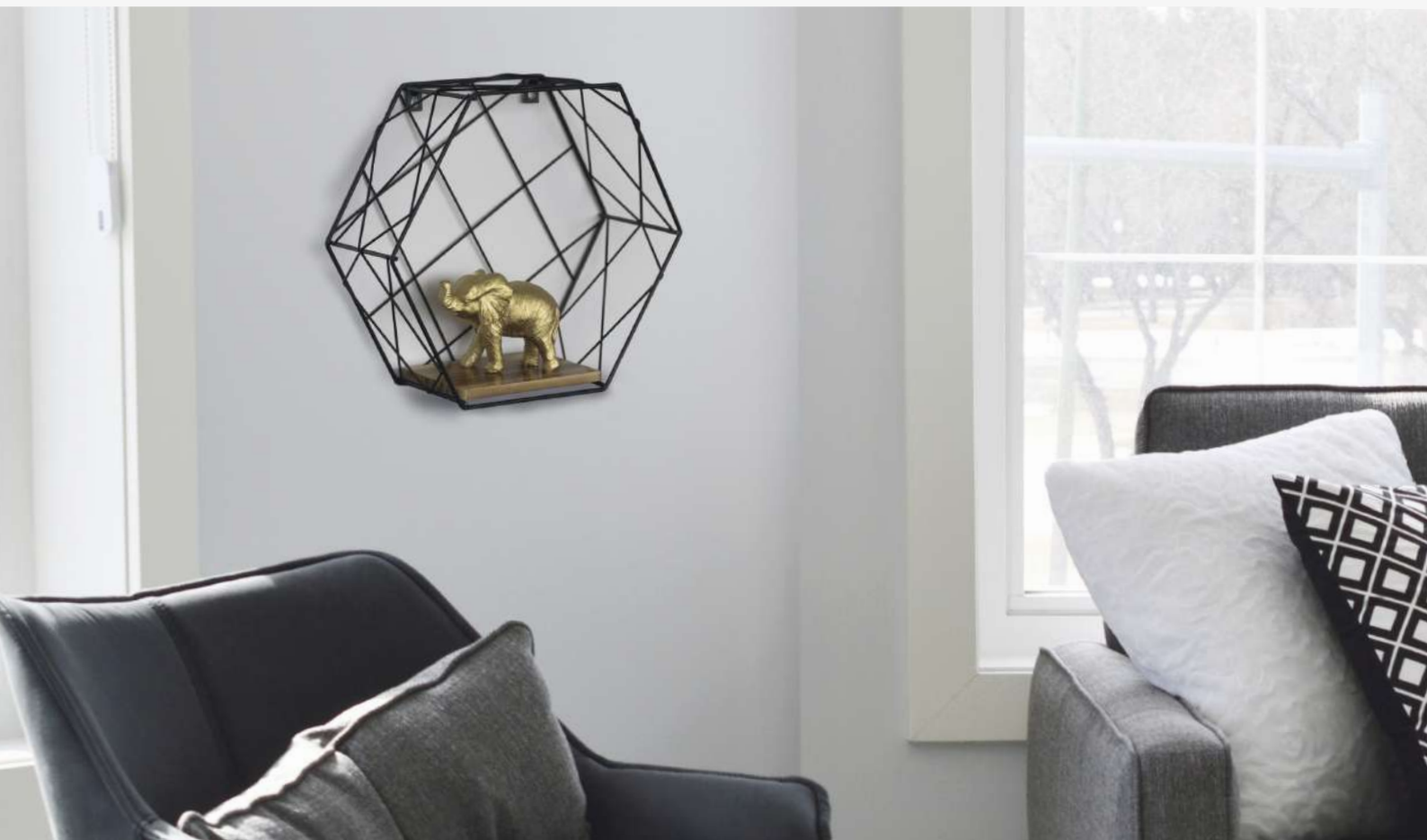
Mounting Different types of walls require different types of fasteners. Always use screws, bolts or dowels designed for the appropriate type of wall. The maximum load of an element always depends on the type of wall, the fixing used and the method of loading.



FHL 1



name	color	art. no.	shelf dimensions [mm]			bracket dimensions [mm]					hole [mm]	screws [pcs]	dowels [pcs]	weight [g]	pack. [pcs]
			a	b	≠	c	d	e	φ ₁	φ ₂	φ5/φ8×15	φ4×30	φ6×30		
FHL 1	pine wood + white	67811	140	100	9	285	255	100	4	5	2	2	2	370	4
	pine wood + black	67812	140	100	9	285	255	100	4	5	2	2	2	370	4



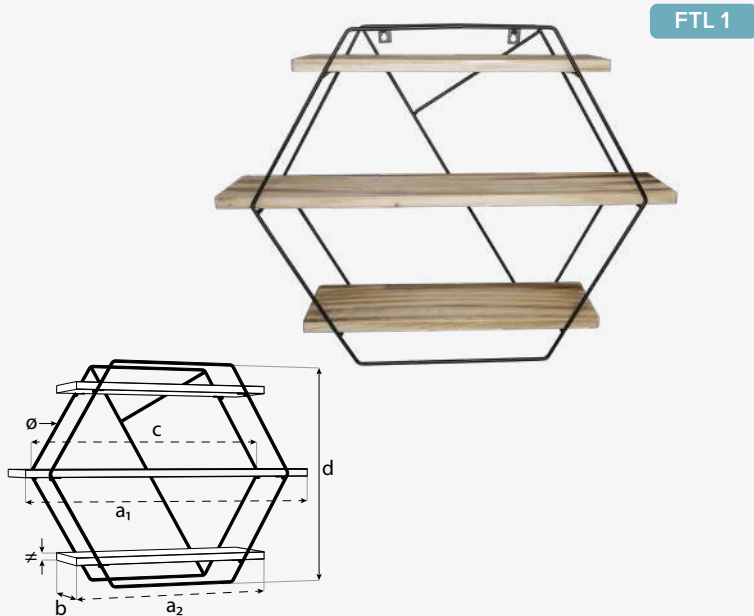
Application Decorative loft shelf with a distinctive honeycomb shape. It perfectly displays, for example, small souvenirs, while adding modern elegance to the room.

Material Shelf: pine wood; bracket: powder coated steel, color: black.

Mounting Different types of walls require different types of fasteners. Always use screws, bolts or dowels designed for the appropriate type of wall. The maximum load of an element always depends on the type of wall, the fixing used and the method of loading.

FTL

Loft shelf



FTL 1



name	color	art. no.	shelf dimensions [mm]			bracket dimensions [mm]			hole [mm]		screws [pcs]		dowels [pcs]	weight [g]	pack. [pcs]
			a	b	≠	c	d	φ	φ3	φ5/φ8×15	φ3×7	φ4×30	φ6×30		
FTL 1	pine wood + black	67813	600/400	140	15	510	445	5	12	2	12	2	2	2000	1

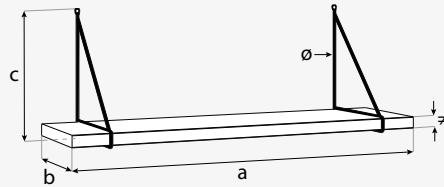


FAL

Loft shelf

- Application** A single hanging loft type shelf. Its both discreet and elegant appearance makes it the perfect addition to any interior.
- Material** Shelf: natural paulownia wood; bracket: powder coated steel, color: semi-matte black.
- Mounting** Different types of walls require different types of fasteners. Always use screws, bolts or dowels designed for the appropriate type of wall. The maximum load of an element always depends on the type of wall, the fixing used and the method of loading.

FAL 1

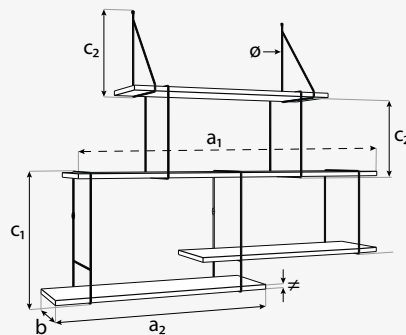


name	color	art. no.	shelf dimensions [mm]			bracket dim. [mm]		hole [mm]	weight [g]	pack. [pcs]
			a	b	≠	c	ø	ø5		
FAL 1	natural paulownia wood + semi-matte black	67815	800	200	25	295	6	6	1600	1



- Application** Visually light loft type shelf. It will perfectly fit into any interior where you want to display flowers, mementos, photographs or books.
- Material** Shelf: natural paulownia wood; bracket: powder coated steel, color: semi-matte black.
- Mounting** Different types of walls require different types of fasteners. Always use screws, bolts or dowels designed for the appropriate type of wall. The maximum load of an element always depends on the type of wall, the fixing used and the method of loading.

FCL 1



name	color	art. no.	shelf dimensions [mm]			bracket dim. [mm]		hole [mm]	weight [g]	pack. [pcs]
			a	b	≠	c	ø	ø5		
FCL 1	natural paulownia wood + semi-matte black	67816	1200/800	235	15	445/330	6	4	5600	1



FWL

Loft shelves

Application

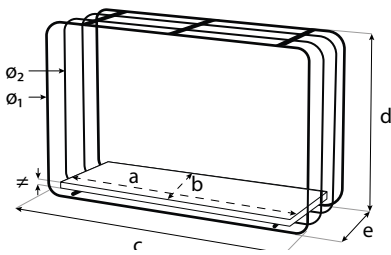
Loft shelves are an excellent option combining modern elegance with the need for storage. Sets of shelves FLW 1 (3 pcs), FLW 2 (2 pcs), FLW 3 (2 pcs) allow you to create a harmonious composition. Not only the things arranged on the shelves, but also the furniture itself will become an interesting decorative set. Single shelves FWL 4 and FWL 5 will additionally provide space for larger items.

Material

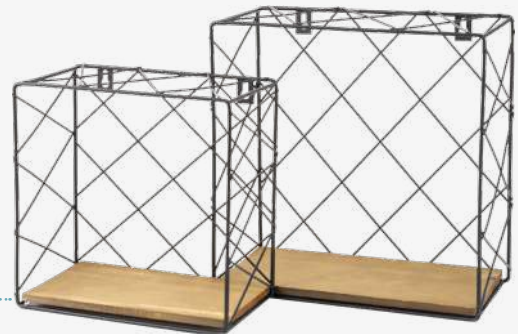
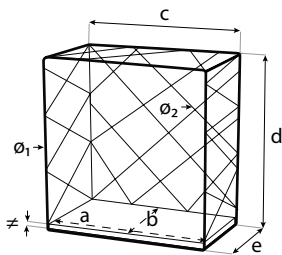
Shelf: pine wood; bracket: powder coated steel, color: black.

Mounting

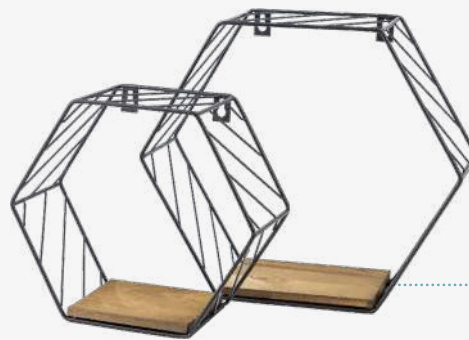
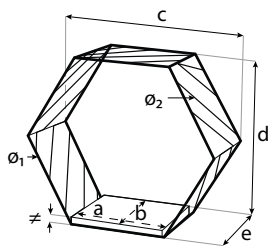
Different types of walls require different types of fasteners. Always use screws, bolts or dowels designed for the appropriate type of wall. The maximum load of an element always depends on the type of wall, the fixing used and the method of loading.



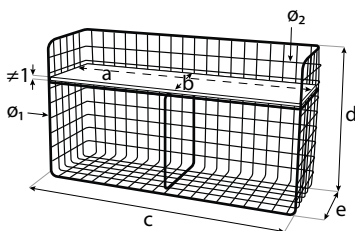
FWL 1



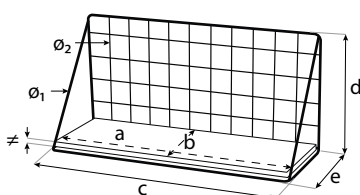
FWL 2



FWL 3



FWL 4



FWL 5



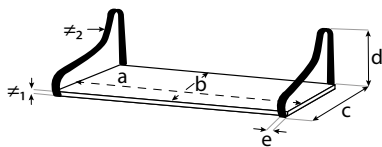
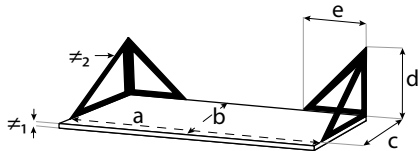
name	color	art. no.	dimensions [mm]								hole [mm]	weight [g]	pack. [pcs]
			a	b	≠	c	d	e	∅ ₁	∅ ₂	∅5/∅8×15		
FWL 1	pine wood + black	67801	390/335/290	90	8,5	400/345/300	245/210/185	100	4,0	2,5	6	1650	4
FWL 2	pine wood + black	67802	240/190	115	8,5	250/200	250/200	120	4,0	2,5	4	800	4
FWL 3	pine wood + black	67803	140/110	100	8,5	290/220	255/195	100	4,0	2,5	4	600	4
FWL 4	pine wood + black	67804	500	150	8,5	510	280	155	5,0	2,5	2	1600	4
FWL 5	pine wood + black	67805	280	100	8,5	290	140	105	4,0	2,5	2	330	4

FBL

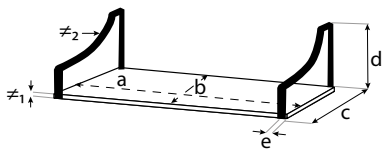
Shelves set with loft brackets

Application Distinctive loft shelves mounted on modern brackets. Three different widths included, and in the case of FBL 1 also the possibility to change the way the brackets are arranged to create your own composition, It provides a strong visual accent in the room.

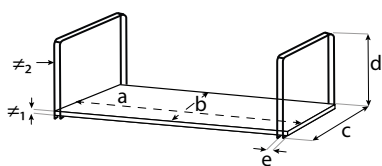
Material Shelf: pine wood; bracket: powder coated steel, color: black.
Mounting Different types of walls require different types of fasteners. Always use screws, bolts or dowels designed for the appropriate type of wall. The maximum load of an element always depends on the type of wall, the fixing used and the method of loading.



FBL 2

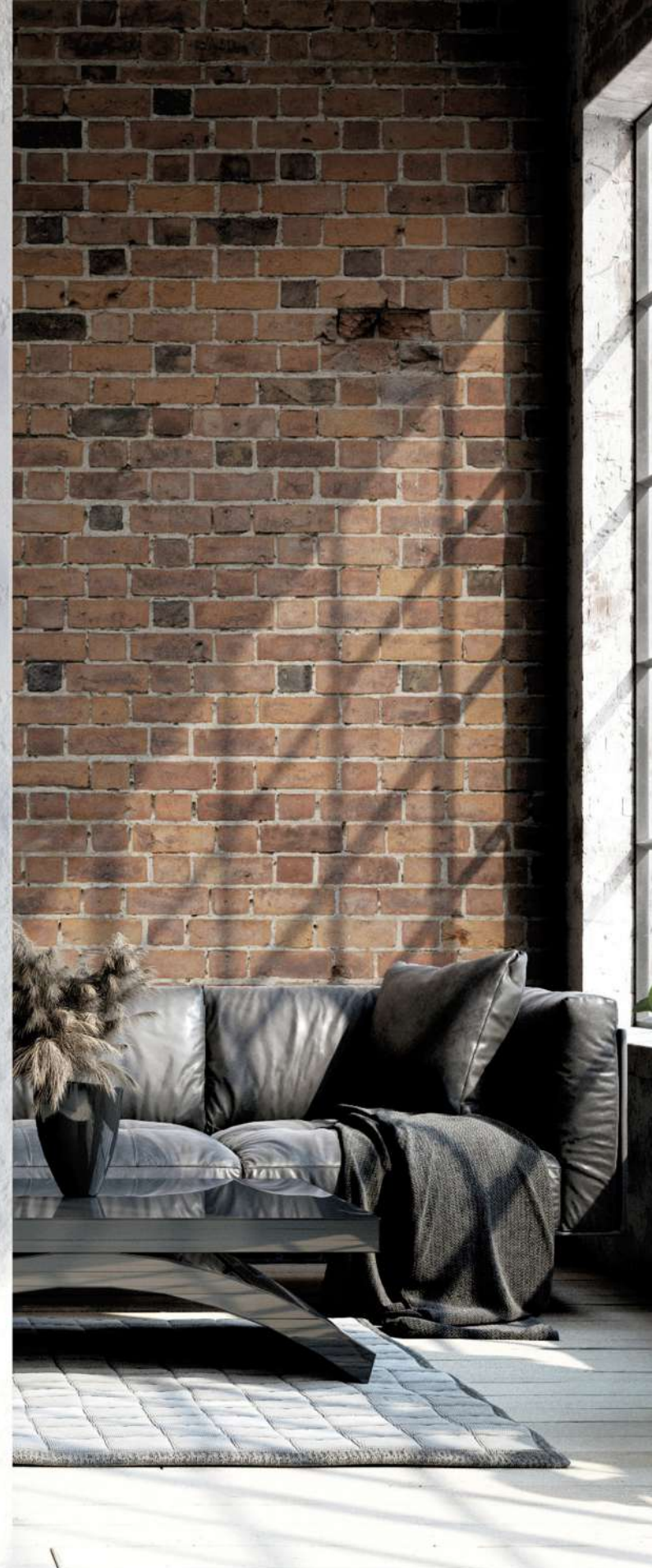


FBL 3



FBL 4





name	color	art. no.	shelf dimensions [mm]			bracket dimensions [mm]				hole [mm]			screws [pcs]	weight [g]	pack. [pcs]
			a	b	≠ ₁	c	d	e	≠ ₂	ø4	ø5,5	ø5/ø8,5×18			
FBL 1	pine wood + black	67806	420/360/290	150	8,5	120	120	120	1,5	12	–	–	6	1550	6
FBL 2	pine wood + black	67807	430/330/230	112	8,5	120	105	20	2,3	–	4	4	4	1100	6
FBL 3	pine wood + black	67808	430/330/230	100	8,5	120	110	20	2,3	–	4	4	4	1100	6
FBL 4	pine wood + black	67809	430/330/230	112	8,5	125	108	20	2,3	–	4	–	4	1100	6





BRACKETS

WS

Steel bracket

Application A classic version of the steel brackets, suitable for utility rooms such as the garage or the pantry, as well as for the study or even the minimalist kitchen. The three available colours (white, brown, grey) offer plenty of options for matching the brackets to the interior.

Material Powder coated steel, color: white or brown, or gray.

Mounting Different types of walls require different types of fasteners. Always use screws, bolts or dowels designed for the appropriate type of wall. The maximum load of an element always depends on the type of wall, the fixing used and the method of loading.



WS

Steel bracket



name	coat.	art. no.	dimensions [mm]				hole [mm]				weight [g]	pack. [pcs]
			a	b	c	≠	∅3	∅3,2	∅3,5	∅4,5		
WS 100	○	5011	100	75	32	1,0	6	-	-	-	24	20
	●	5012	100	75	32	1,0	6	-	-	-	24	20
	●	5014	100	75	32	1,0	6	-	-	-	22	20
WS 125	○	5021	125	100	34	1,0	-	6	-	-	34	20
	●	5022	125	100	34	1,0	-	6	-	-	33	20
	●	5024	125	100	34	1,0	-	6	-	-	33	20
WS 150	○	5031	150	125	37	1,0	-	-	6	-	45	20
	●	5032	150	125	37	1,0	-	-	6	-	45	20
	●	5034	150	125	37	1,0	-	-	6	-	46	20
WS 175	○	5041	175	150	38	1,0	-	-	6	-	66	20
	●	5042	175	150	38	1,0	-	-	6	-	63	20
	●	5044	175	150	38	1,0	-	-	6	-	63	20
WS 200	○	5051	200	150	39	1,0	-	-	6	-	69	20
	●	5052	200	150	39	1,0	-	-	6	-	69	20
	●	5054	200	150	39	1,0	-	-	6	-	69	20
WS 225/175	○	5055	225	175	39	1,0	-	-	6	-	79	20
	●	5056	225	175	39	1,0	-	-	6	-	75	20
	●	5058	225	175	39	1,0	-	-	6	-	78	20
WS 250	○	5071	250	200	42	1,0	-	-	6	-	107	20
	●	5072	250	200	42	1,0	-	-	6	-	105	20
	●	5074	250	200	42	1,0	-	-	6	-	101	20
WS 300	○	5081	300	250	48	1,0	-	-	-	6	165	20
	●	5082	300	250	48	1,0	-	-	-	6	166	20
	●	5084	300	250	48	1,0	-	-	-	6	174	20
WS 350	○	5091	350	300	48	1,0	-	-	-	6	217	20
	●	5092	350	300	48	1,0	-	-	-	6	208	20
	●	5094	350	300	48	1,0	-	-	-	6	217	20
WS 400	○	5101	400	350	51	1,5	-	-	-	6	300	20
	●	5102	400	350	51	1,5	-	-	-	6	287	20
WS 450	○	5111	450	400	51	1,5	-	-	-	6	348	20
	●	5112	450	400	51	1,5	-	-	-	6	345	20

coating:

- powder coated, color: white
- powder coated, color: brown
- powder coated, color: gray



WSB

Steel bracket

Application A classic steel bracket with gently rounded edges. Perfectly suited to any interior.

Material Powder coated steel, color: white or black.

Mounting Different types of walls require different types of fasteners. Always use screws, bolts or dowels designed for the appropriate type of wall. The maximum load of an element always depends on the type of wall, the fixing used and the method of loading.



WSB 300



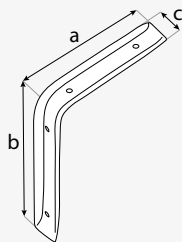
WSB 250



WSB 200



WSB 150



name	coat.	art. no.	dimensions [mm]				hole [mm]		weight [g]	pack. [pcs]
			a	b	c	≠	ø5	ø6		
WSB 150	○	5121	150	125	24	1,2	4	–	78	10
	●	5122	150	125	24	1,2	4	–	78	10
WSB 200	○	5131	200	150	28	1,5	5	–	130	10
	●	5132	200	150	28	1,5	5	–	129	10
WSB 250	○	5141	250	200	31	1,5	–	5	215	10
	●	5142	250	200	31	1,5	–	5	217	10
WSB 300	○	5151	300	250	34	1,5	–	5	295	10
	●	5152	300	250	34	1,5	–	5	293	10

coating:
○ powder coated, color: white
● powder coated, color: black

Application Versatile and simple in form, steel brackets. Find use in many interiors, including utility rooms.

Material Powder coated steel, color: white; steel electrogalvanized, color: silver.

Mounting Different types of walls require different types of fasteners. Always use screws, bolts or dowels designed for the appropriate type of wall. The maximum load of an element always depends on the type of wall, the fixing used and the method of loading.

WSM

Small steel bracket



name	coat.	art. no.	dimensions [mm]					hole [mm]				weight [g]	pack. [pcs]
			a	b	c	≠	ø3,5	ø4	ø4,2	ø4,5			
WSM 30	○	5155	30	30	20	1,5	2	-	-	-	13	20	
	●	5145	30	30	20	1,5	2	-	-	-	12	20	
WSM 50	○	5156	50	50	21	1,5	-	4	-	-	21	20	
	●	5146	50	50	21	1,5	-	4	-	-	21	20	
WSM 75	○	5157	75	75	21	1,5	-	-	4	-	32	20	
	●	5147	75	75	21	1,5	-	-	4	-	31	20	
WSM 100	○	5158	100	100	21	1,5	-	-	4	-	50	20	
	●	5148	100	100	21	1,5	-	-	4	-	53	20	
WSM 130	○	5159	130	130	21	1,5	-	-	-	4	68	20	
	●	5149	130	130	21	1,5	-	-	-	4	67	20	

coating:
 ○ powder coated, color: white
 ● electrogalvanized, color: silver

WSPP

Bracket
with plastic cover



Application

A bracket for multiple uses. The slightly polished plastic cover conceals the technical fastening element.

Material

Steel electrogalvanized, color: silver; plastic cover, color: brown or white.

Mounting

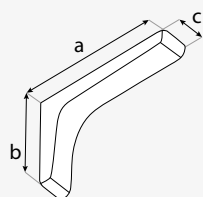
Different types of walls require different types of fasteners. Always use screws, bolts or dowels designed for the appropriate type of wall. The maximum load of an element always depends on the type of wall, the fixing used and the method of loading.



WSPP 240



WSPP 180



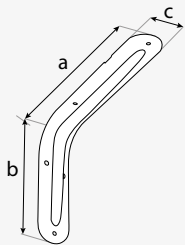
WSPP 115

name	coat.	art. no.	dimensions [mm]				hole [mm]				weight [g]	pack. [pcs]
			a	b	c	≠	ø4	ø5	□5×8	□5×10		
WSPP 115	●▽	5401	115	78	25	1,0	2	–	2	–	44	10
	●▽	5404	115	78	25	1,0	2	–	2	–	44	10
WSPP 180	●▽	5405	180	115	35	1,0	–	2	–	2	109	10
	●▽	5408	180	115	35	1,0	–	2	–	2	110	10
WSPP 240	●▽	5409	240	145	35	1,0	–	2	–	2	152	10
	●▽	5412	240	145	35	1,0	–	2	–	2	155	10

coating:

- ▽ electrogalvanized, color: silver + tworzywo sztuczne, color: white
- ▽ electrogalvanized, color: silver + tworzywo sztuczne, color: brown

Application	Brackets reinforced with narrow ribbing. Suitable for a modern room as well as a pantry, workshop or studio.
Material	Powder coated steel, color: white.
Mounting	Different types of walls require different types of fasteners. Always use screws, bolts or dowels designed for the appropriate type of wall. The maximum load of an element always depends on the type of wall, the fixing used and the method of loading.



name	coat.	art. no.	dimensions [mm]				hole [mm]		weight [g]	pack. [pcs]
			a	b	c	≠	∅4,5	∅4,8×8		
WWPW 200	○	5113	200	140	38	1,2	4	2	144	10
WWPW 250	○	5115	250	180	38	1,2	4	2	189	10
WWPW 300	○	5117	300	200	42	1,2	4	2	250	10

coating:

○ powder coated, color: white

WWPW

Reinforced bracket
with narrow ribbing

WFM

Aluminium bracket

Application A universal aluminium bracket, thickened in the central section and narrowing at the ends of the arms. The rounded edges give it a distinctive fineness. Available in white or black. Fits perfectly into any interior.

Material Powder coated aluminium, color: white or black.

Mounting Different types of walls require different types of fasteners. Always use screws, bolts or dowels designed for the appropriate type of wall. The maximum load of an element always depends on the type of wall, the fixing used and the method of loading.



name	coat.	art. no.	dimensions [mm]				hole [mm]			weight [g]	pack. [pcs]
			a	b	c	≠	ø4,6	ø5,3	ø5,5		
WFM 150	○	520121	150	100	20	3,0	4	–	–	55	10
	●	520122	150	100	20	3,0	4	–	–	55	10
WFM 200	○	520123	200	150	20	4,0	–	4	–	104	10
	●	520124	200	150	20	4,0	–	4	–	104	10
WFM 250	○	520125	250	200	24	4,0	–	–	4	155	10
	●	520126	250	200	24	4,0	–	–	4	155	10

coating:
○ powder coated, color: white
● powder coated, color: black

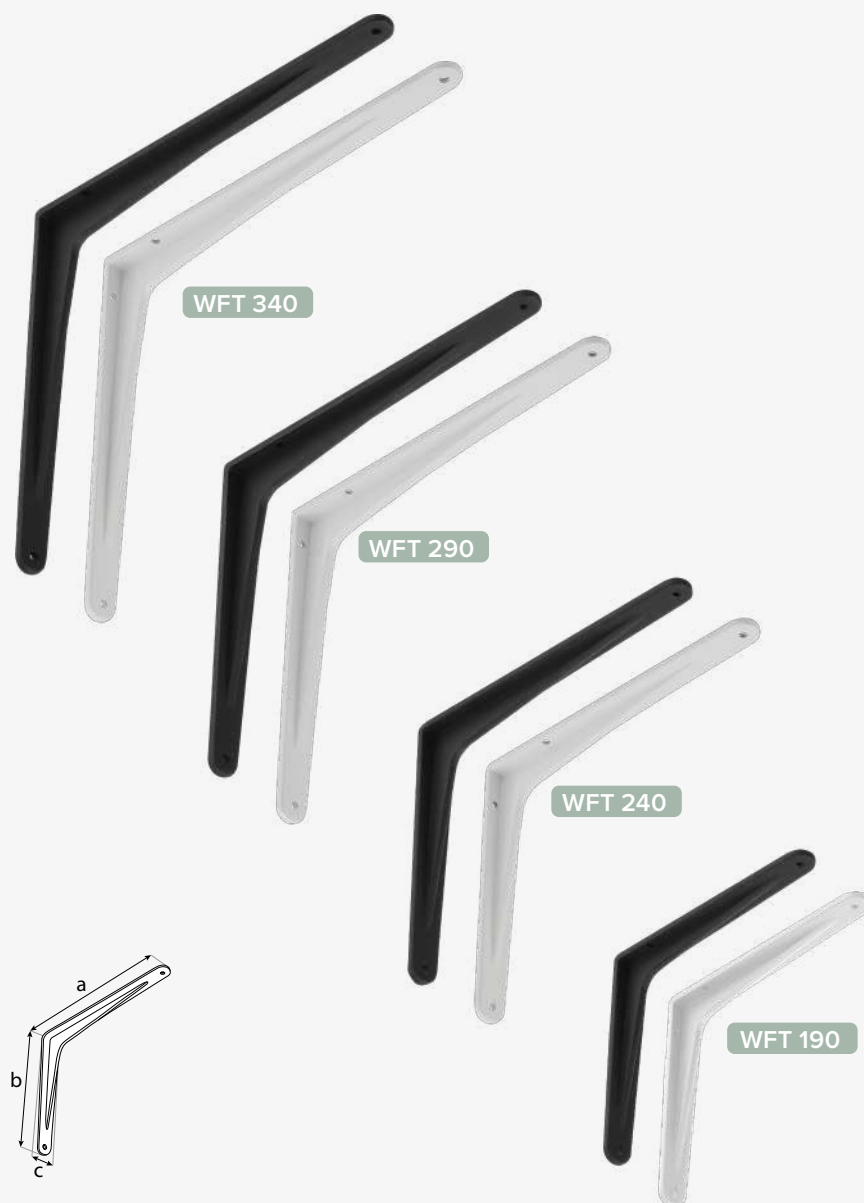
Application A simple bracket with a visually dominant slim ribbing. The characteristic slightness of the design is imparted by the narrowing arms of the fixture and the embossing, which decreases and disappears at a quarter of its length. Available in white or black.

Material Powder coated aluminium, color: white or black.

Mounting Different types of walls require different types of fasteners. Always use screws, bolts or dowels designed for the appropriate type of wall. The maximum load of an element always depends on the type of wall, the fixing used and the method of loading.

WFT

Aluminium bracket
with ribbing



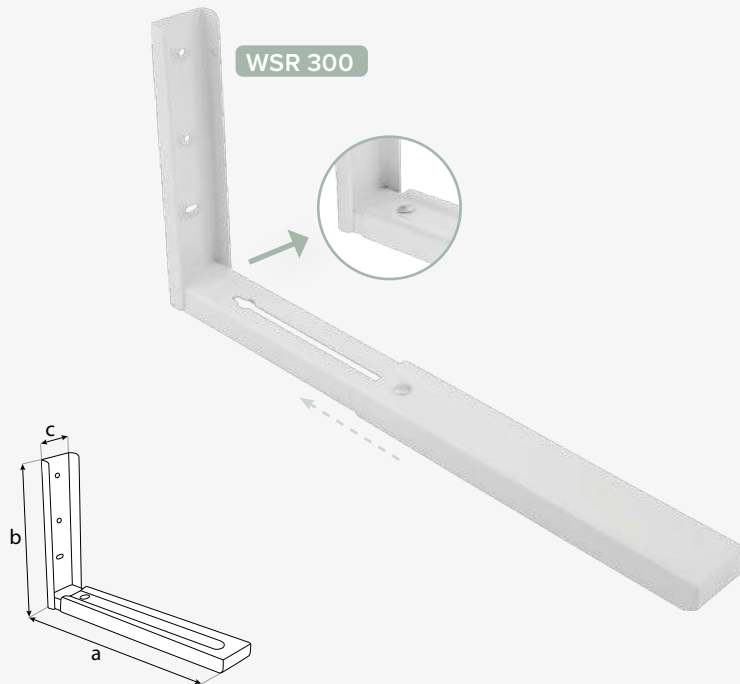
name	coat.	art. no.	dimensions [mm]					hole [mm]			weight [g]	pack. [pcs]
			a	b	c	≠	ø4,2	ø4,9	ø6,2			
WFT 190	○	520113	190	165	30	5,3	6	–	–	165	10	
	●	520114	190	165	30	5,3	6	–	–	165	10	
WFT 240	○	520115	240	190	30	5,3	–	6	–	242	10	
	●	520116	240	190	30	5,3	–	6	–	242	10	
WFT 290	○	520117	290	240	36	6,5	–	–	6	341	10	
	●	520118	290	240	36	6,5	–	–	6	341	10	
WFT 340	○	520119	340	290	38	7,0	–	–	6	580	10	
	●	520120	340	290	38	7,0	–	–	6	580	10	

coating:
○ powder coated, color: white
● powder coated, color: black

WSR

Adjustable bracket

- Application** A bracket used for the suspension of microwave ovens. They are made of steel and coated with white paint. Simple to keep clean, they are ideal for use in the kitchen. Adjustable in depth.
- Material** Powder coated steel, color: white.
- Mounting** Different types of walls require different types of fasteners. Always use screws, bolts or dowels designed for the appropriate type of wall. The maximum load of an element always depends on the type of wall, the fixing used and the method of loading.

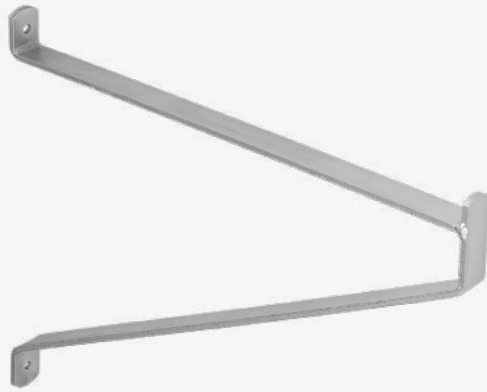


name	coat.	art. no.	dimensions [mm]				hole [mm]		weight [g]	pack. [pcs]
			a	b	c	≠	ø5,2	ø5x11,5		
WSR 300	○	5230	300-460	220	48	2,0	2	1	1770	1

coating:
○ powder coated, color: white



Application	A bracket made of steel, reinforced. Perfect for shelves in the garage or pantry.
Material	Steel electrogalvanized, color: silver.
Mounting	Different types of walls require different types of fasteners. Always use screws, bolts or dowels designed for the appropriate type of wall. The maximum load of an element always depends on the type of wall, the fixing used and the method of loading.



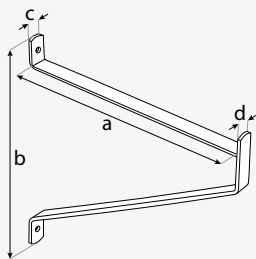
HMUN 350



HMUN 250



HMUN 150



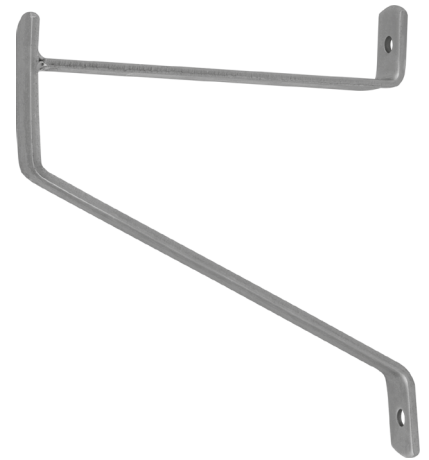
name	coat.	art. no.	dimensions [mm]					hole [mm]	weight [g]	pack. [pcs]
			a	b	c	d	≠	ø7		
HMUN 150	●	5855	150	190	20	17	3,5	2	284	6
HMUN 250	●	5856	250	250	20	18	3,5	2	418	6
HMUN 350	●	5857	350	310	26	19	5,0	2	851	6

coating:

- electrogalvanized, color: silver

HMUN

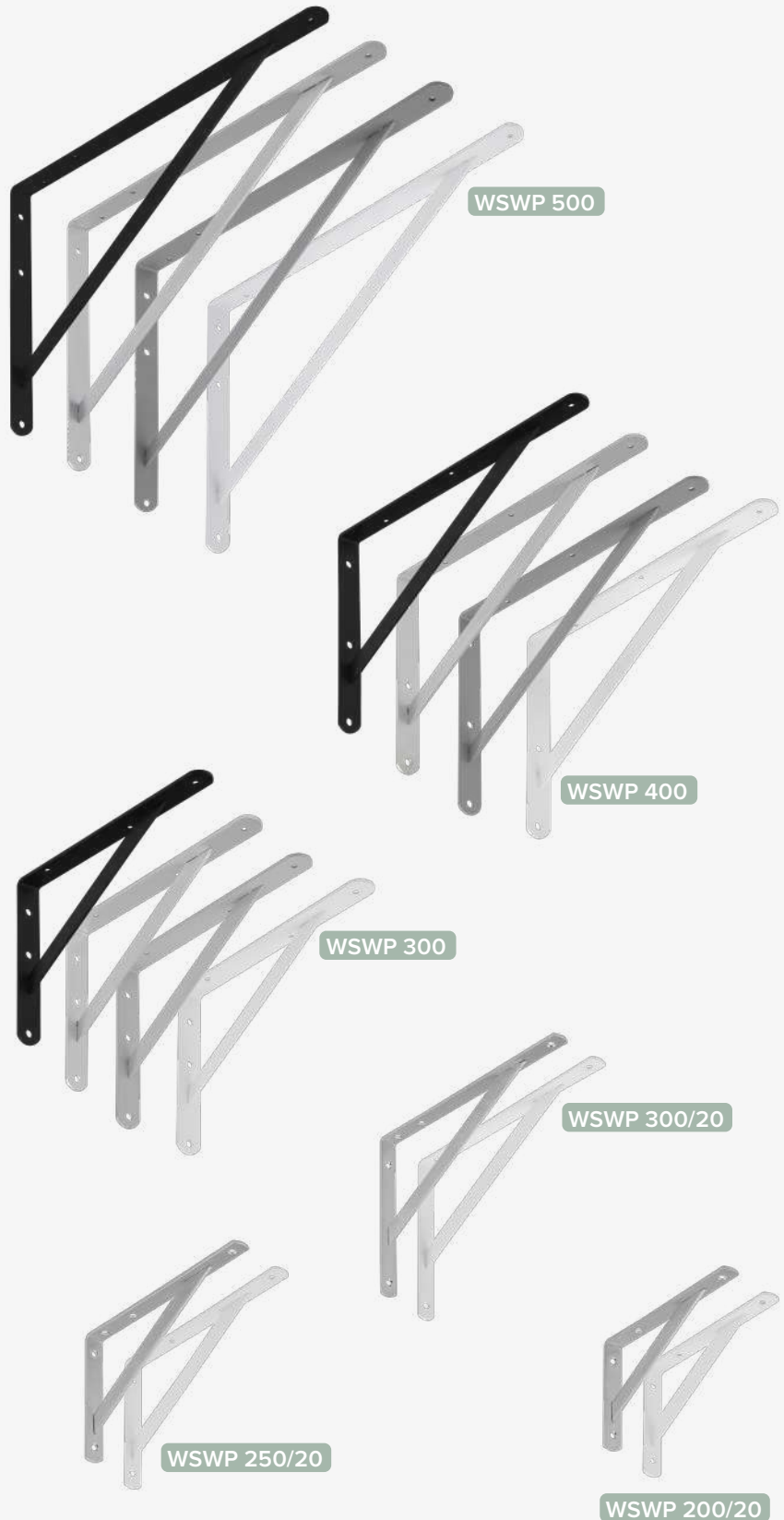
Steel bracket

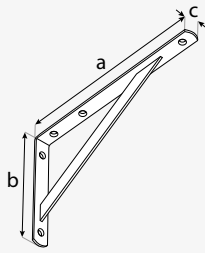


WSWP

Steel bracket
reinforced
with flat bar

- Application** A multipurpose bracket made of steel, reinforced with a steel flat bar. Perfectly fits into the space of a garage, pantry, but also a modern bedroom or corridor.
- Material** Powder coated steel, color: white or black, or gray; steel electrogalvanized, color: silver.
- Mounting** Different types of walls require different types of fasteners. Always use screws, bolts or dowels designed for the appropriate type of wall. The maximum load of an element always depends on the type of wall, the fixing used and the method of loading.





WSWP

Steel bracket
reinforced
with flat bar

name	coat.	art. no.	dimensions [mm]				hole [mm]			weight [g]	pack. [pcs]
			a	b	c	≠	ø6	ø7	ø9		
WSWP 200/20	○	53561	200	125	20	3,0	2	2	–	226	10
	●	53562	200	125	20	3,0	2	2	–	226	10
WSWP 250/20	○	53571	250	150	20	3,0	3	2	–	291	10
	●	53572	250	150	20	3,0	3	2	–	291	10
WSWP 300/20	○	53581	300	200	20	3,0	3	2	–	366	10
	●	53582	300	200	20	3,0	3	2	–	366	10
WSWP 300	○	5194	300	200	30	4,0	3	–	3	621	10
	●	5353	300	200	30	4,0	3	–	3	621	10
	●	5350	300	200	30	4,0	3	–	3	621	10
	●	5195	300	200	30	4,0	3	–	3	609	10
WSWP 400	○	5196	400	250	30	4,0	3	–	3	834	10
	●	5354	400	250	30	4,0	3	–	3	827	10
	●	5351	400	250	30	4,0	3	–	3	827	10
	●	5197	400	250	30	4,0	3	–	3	834	10
WSWP 500	○	5198	500	330	30	4,0	3	–	3	1095	10
	●	5355	500	330	30	4,0	3	–	3	1106	10
	●	5352	500	330	30	4,0	3	–	3	1106	10
	●	5199	500	330	30	4,0	3	–	3	1099	10

coating:

- powder coated, color: white
- powder coated, color: black
- powder coated, color: gray
- electrogalvanized, color: silver



WFA

Steel bracket



Application

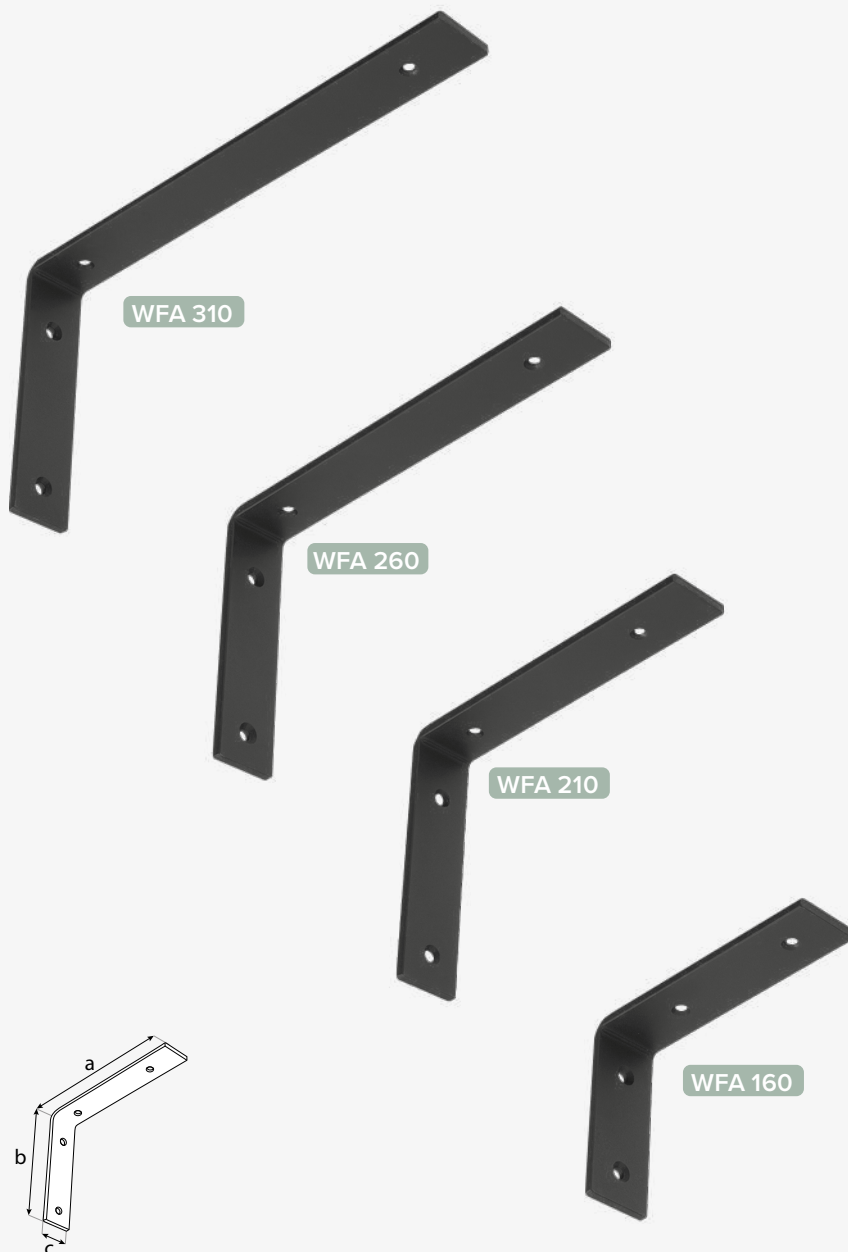
A black minimalist bracket. Excellent for any space where you don't want to expose the mounting components, or when you want an effect of raw elegance.

Material

Powder coated steel, color: black.

Mounting

Different types of walls require different types of fasteners. Always use screws, bolts or dowels designed for the appropriate type of wall. The maximum load of an element always depends on the type of wall, the fixing used and the method of loading.



name	coat.	art. no.	dimensions [mm]				hole [mm]	weight [g]	pack. [pcs]
			a	b	c	≠	ø5		
WFA 160	●	520101	159	108	40	6,0	4	431	10
WFA 210	●	520102	209	159	40	6,0	4	625	10
WFA 260	●	520103	260	159	40	6,0	4	697	10
WFA 310	●	520104	311	159	40	6,0	4	780	10

coating:

- powder coated, color: black

Application	A bracket constructed from a rectangular steel flat bar and a clear cut slender embossing, which not only strengthens the structure but also gives it a visual lightness.
Material	Powder coated steel, color: black.
Mounting	Different types of walls require different types of fasteners. Always use screws, bolts or dowels designed for the appropriate type of wall. The maximum load of an element always depends on the type of wall, the fixing used and the method of loading.

WFW

Ribbed steel bracket



name	coat.	art. no.	dimensions [mm]				hole [mm]		weight [g]	pack. [pcs]
			a	b	c	≠	∅5,5	∅8×14		
WFW 250	●	520105	250	100	40	4,0	3	3	470	10
WFW 300	●	520106	300	150	40	4,0	3	3	640	10
WFW 400	●	520107	400	150	40	4,0	3	3	860	10

coating:

- powder coated, color: black

WFP

Flat steel bracket

Application A flat steel bracket with a minimalist design. The wall-mounted part can be either placed under the shelf or directed upwards, hiding the structural component.

Material Powder coated steel, color: black.

Mounting Different types of walls require different types of fasteners. Always use screws, bolts or dowels designed for the appropriate type of wall. The maximum load of an element always depends on the type of wall, the fixing used and the method of loading.



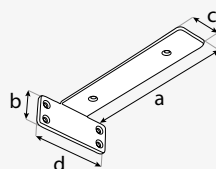
WFP 250



WFP 200



WFP 150



name	coat.	art. no.	dimensions [mm]					hole [mm]	weight [g]	pack. [pcs]
			a	b	c	d	ø			
WFP 150	●	520108	150	40	40	100	5,0	6	355	10
WFP 200	●	520109	200	40	40	100	5,0	6	426	10
WFP 250	●	520110	250	40	40	100	5,0	6	498	10

coating:
● powder coated, color: black

Application A minimalist bracket which allows to mount two shelves. Constructed from a right-angled bent flat bar, finished with folds enclosing the shelves. Designed for shelves 150 mm (WFF 150) or 200 mm (WFF 200) deep.

Material Powder coated steel, color: black.

Mounting Different types of walls require different types of fasteners. Always use screws, bolts or dowels designed for the appropriate type of wall. The maximum load of an element always depends on the type of wall, the fixing used and the method of loading.

WFF

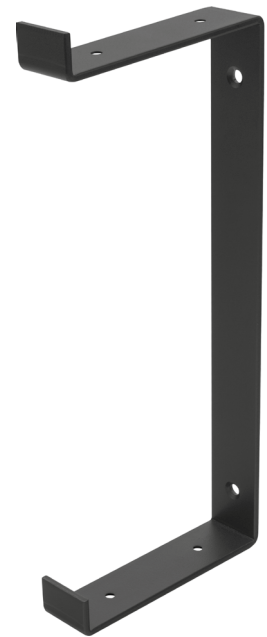
Double steel bracket



name	coat.	art. no.	dimensions [mm]				hole [mm]		weight [g]	pack. [pcs]
			a	b	c	≠	ø6	ø8		
WFF 150	●	520137	163	368	40	5,0	4	2	1150	4
WFF 200	●	520138	213	368	40	5,0	4	2	1317	4

coating:

● powder coated, color: black



WFL

Steel bracket

Application A minimalist shelf support bracket. Constructed from a double bent right-angled flat bar, finished with a section enclosing the shelf. Designed for shelves 150 mm (WFL 160), 200 mm (WFL 210) or 250 mm (WFL 260) deep.

Material Powder coated steel, color: black.

Mounting Different types of walls require different types of fasteners. Always use screws, bolts or dowels designed for the appropriate type of wall. The maximum load of an element always depends on the type of wall, the fixing used and the method of loading.



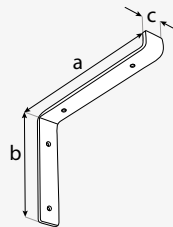
WFL 260



WFL 210



WFL 160

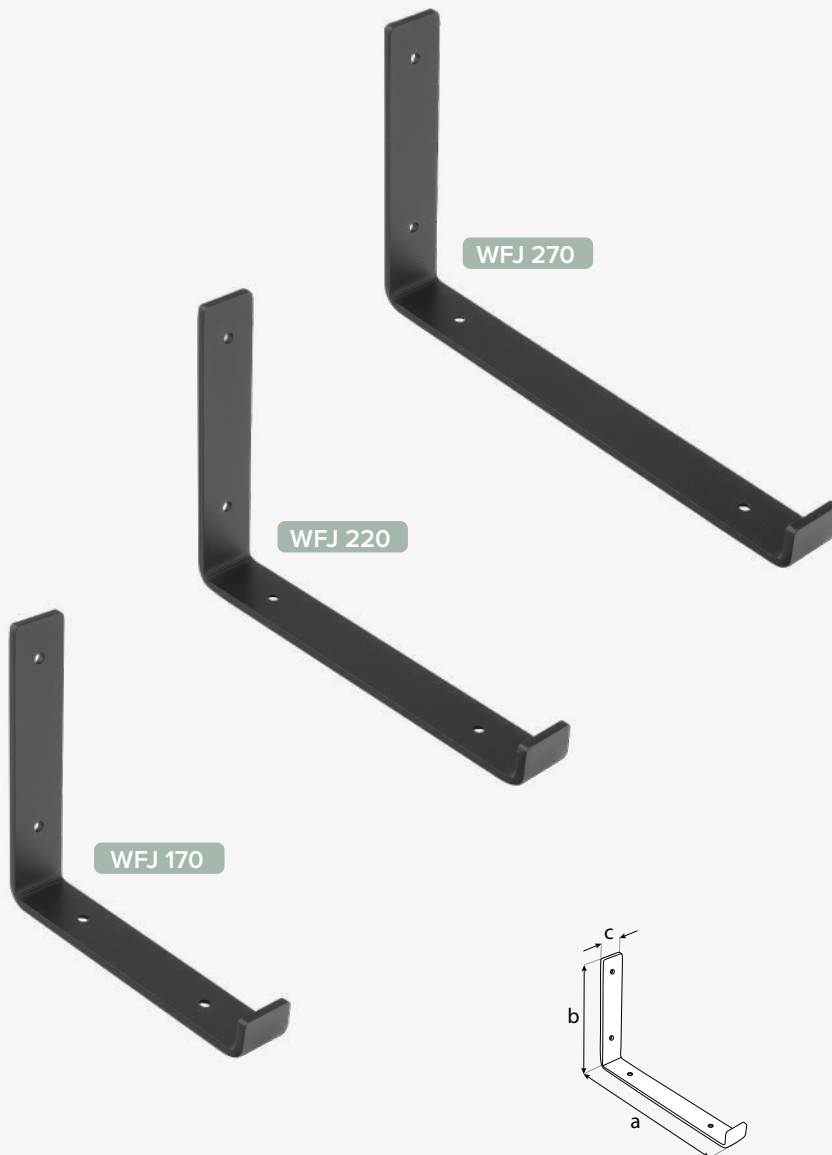


name	coat.	art. no.	dimensions [mm]				hole [mm]		weight [g]	pack. [pcs]
			a	b	c	≠	ø5	ø5,5		
WFL 160	●	520142	163	151,5	30	5,0	2	2	373	10
WFL 210	●	520143	213	151,5	30	5,0	2	2	433	10
WFL 260	●	520144	263	151,5	30	5,0	2	2	491	10

coating:

● powder coated, color: black

- Application** A minimalist bracket to hang a shelf on. Constructed from a double bent right-angled flat bar, finished with a section encompassing the shelf. Designed for shelves 150 mm (WFJ 170), 200 mm (WFJ 220) or 250 mm (WFJ 270) deep.
- Material** Powder coated steel, color: black.
- Mounting** Different types of walls require different types of fasteners. Always use screws, bolts or dowels designed for the appropriate type of wall. The maximum load of an element always depends on the type of wall, the fixing used and the method of loading.



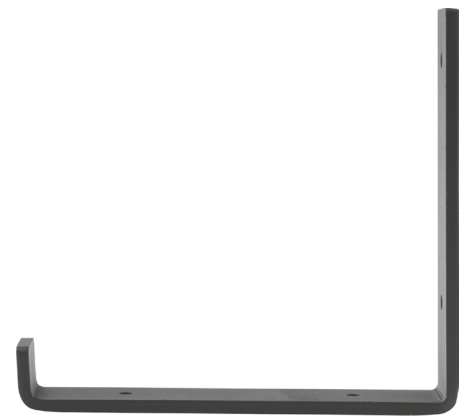
name	coat.	art. no.	dimensions [mm]				hole [mm]		weight [g]	pack. [pcs]
			a	b	c	≠	ø5	ø5,5		
WFJ 170	●	520145	168	151,5	30	5,0	2	2	373	10
WFJ 220	●	520146	218	151,5	30	5,0	2	2	433	10
WFJ 270	●	520147	268	151,5	30	5,0	2	2	491	10

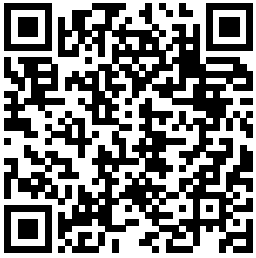
coating:

- powder coated, color: black

WFJ

Steel bracket





see videos INTEGRi®



interior design system

INTEGRi

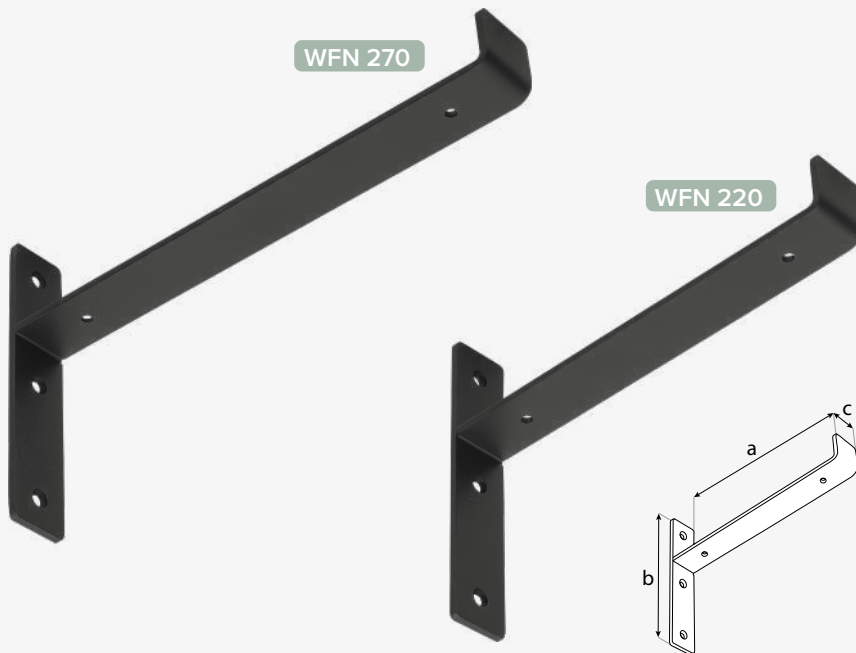
www.integrisystem.com

see page 155

Application A minimalist bracket constructed from two flat bars joined at right angles. The horizontal element folds upwards to embrace the shelf. Attached to the wall, the narrow vertical part of the bracket encloses the structure visually. Designed for shelves 200 mm (WFN 220) or 250 mm (WFN 270) deep.

Material Powder coated steel, color: black.

Mounting Different types of walls require different types of fasteners. Always use screws, bolts or dowels designed for the appropriate type of wall. The maximum load of an element always depends on the type of wall, the fixing used and the method of loading.



name	coat.	art. no.	dimensions [mm]				hole [mm]		weight [g]	pack. [pcs]
			a	b	c	≠	∅5	∅5,5		
WFN 220	●	520154	216	150	30	4,0	2	3	305	10
WFN 270	●	520155	266	150	30	4,0	2	3	400	10

coating:

- powder coated, color: black



WFU

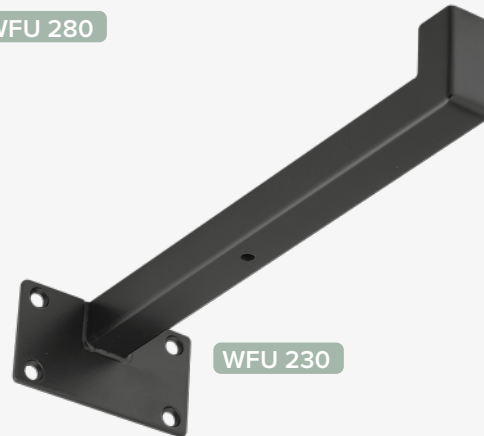
Steel bracket

Application A black steel bracket. The shelf rests on an upward-bending and encompassing square profile, and the wide, wall-mounted base helps to avoid the traditional visual contrast between the horizontal shelf and the vertical bracket.

Material Powder coated steel, color: black.
Mounting Different types of walls require different types of fasteners. Always use screws, bolts or dowels designed for the appropriate type of wall. The maximum load of an element always depends on the type of wall, the fixing used and the method of loading.



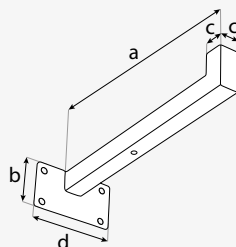
WFU 280



WFU 230



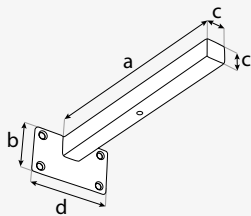
WFU 180



name	coat.	art. no.	dimensions [mm]						hole [mm]		weight [g]	pack. [pcs]
			a	a [wew.]	b	c	d	≠	ø5	ø5,5		
WFU 180	●	520148	181	161	45	20	80	3,0	1	4	222	10
WFU 230	●	520149	231	211	45	20	80	3,0	1	4	256	10
WFU 280	●	520150	281	261	45	20	80	3,0	1	4	287	10

coating:
 ● powder coated, color: black

- Application** A black steel bracket. The shelf rests on a square profile. The wall-mounted section can be placed both under the shelf and facing upwards, hiding the component.
- Material** Powder coated steel, color: black.
- Mounting** Different types of walls require different types of fasteners. Always use screws, bolts or dowels designed for the appropriate type of wall. The maximum load of an element always depends on the type of wall, the fixing used and the method of loading.



name	coat.	art. no.	dimensions [mm]					hole [mm]		weight [g]	pack. [pcs]
			a	b	c	d	≠	ø5	ø5,5		
WFI 150	●	520151	153	45	20	80	3,0	1	4	230	10
WFI 200	●	520152	203	45	20	80	3,0	1	4	272	10
WFI 250	●	520153	253	45	20	80	3,0	1	4	316	10

coating:

- powder coated, color: black

WFI

Steel bracket



WSA

Folding bracket

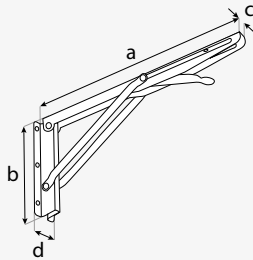
Application Folding chrome brackets allow you to organise small spaces in the pantry, kitchen or utility rooms. These brackets give you the possibility of folding and unfolding tops or shelves as required. Their design protects them from accidental folding.

Material Steel + chrome.

Mounting Different types of walls require different types of fasteners. Always use screws, bolts or dowels designed for the appropriate type of wall. The maximum load of an element always depends on the type of wall, the fixing used and the method of loading.



WSA 300



WSA 250

name	coat.	art. no.	dimensions [mm]				hole [mm]	weight [g]	pack. [pcs]	
			a	b	c	d				
WSA 250	■	5899	250	115	16,5	42	1,5	7	363	10
WSA 300	■	5900	300	145	16,5	42	1,5	10	434	10

coating:
■ chrome



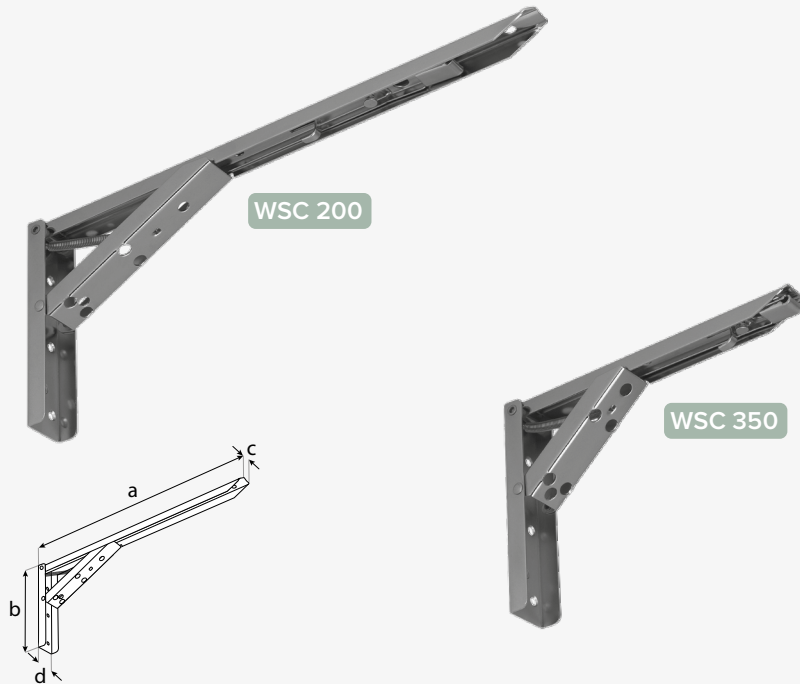
Application The folding chrome brackets prove particularly useful where folding shelves or tops are useful due to space constraints. Alternatively, they can also be used in tilting shop and bar counters.

Material Steel + chrome.

Mounting Different types of walls require different types of fasteners. Always use screws, bolts or dowels designed for the appropriate type of wall. The maximum load of an element always depends on the type of wall, the fixing used and the method of loading.

WSC

Folding bracket



name	coat.	art. no.	dimensions [mm]					hole [mm]			weight [g]	pack. [pcs]
			a	b	c	d	≠	ø4,2	ø4,8	ø7		
WSC 200	■	5901	200	135	21	30	1,5	3	6	4	252	10
WSC 350	■	5902	350	135	21	30	1,5	3	6	4	355	10

coating:
■ chrome



WSF

Reinforced folding bracket



Application

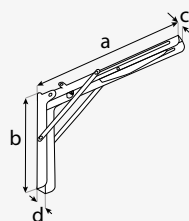
The solid, reinforced WSF brackets are the perfect solution for mounting workbenches in a garage or other utility room. Load capacity with two brackets: WSF 300 – 90 kg, WSF 400 – 100 kg, WSF 560 – 150 kg; load capacity with one bracket: WSF 300 – 45 kg, WSF 400 – 50 kg, WSF 560 – 75 kg.

Material

Powder coated steel, color: black.

Mounting

Different types of walls require different types of fasteners. Always use screws, bolts or dowels designed for the appropriate type of wall. The maximum load of an element always depends on the type of wall, the fixing used and the method of loading.



name	coat.	art. no.	dimensions [mm]					hole [mm]					weight [g]	pack. [pcs]
			a	b	c	≠	∅4,8	∅5,5	∅6	∅6,3	∅7			
WSF 300	●	59301	300	215	22	1,8	3	3	–	–	–	480	10	
WSF 400	●	59302	400	275	30	2,2	–	–	6	–	–	950	10	
WSF 560	●	59303	560	580	42	2,2	–	–	–	3	4	2780	4	

coating:

- powder coated, color: black

Application A folding bracket specially designed for use in an attic or loft flat. The unique design allows it to be mounted on a sloping wall.

Material Powder coated steel, color: white.

Mounting Different types of walls require different types of fasteners. Always use screws, bolts or dowels designed for the appropriate type of wall. The maximum load of an element always depends on the type of wall, the fixing used and the method of loading.



WSG

Folding bevel bracket

name	coat.	art. no.	dimensions [mm]				hole [mm]			weight [g]	pack. [pcs]
			a	b	c	≠	ø4	ø5	ø10		
WSG 320	○	5907	320	380	31	1,8	8	2	1	515	4

coating:

○ powder coated, color: white



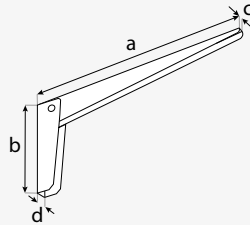
WSN

Folding bracket

Application A folding shelf bracket, available in white. Especially suitable for workshops, small kitchens or other spaces where a folding top will make it easier to work freely.

Material Powder coated steel, color: white.

Mounting Different types of walls require different types of fasteners. Always use screws, bolts or dowels designed for the appropriate type of wall. The maximum load of an element always depends on the type of wall, the fixing used and the method of loading.



name	coat.	art. no.	dimensions [mm]					hole [mm]				weight [g]	pack. [pcs]
			a	b	c	d	≠	ø5,5	ø6	ø5/ø10 x15	ø6/ø12,5 x18		
WSN 300	○	5908	300	130	16	21	1,5	3	–	2	–	332	12
WSN 400	○	5909	400	160	16	21	1,5	–	3	–	2	491	12

coating:
○ powder coated, color: white





see tutorial video



www.integrisystem.com

see page 155

interior design system
INTEGR

BOW

Decorative steel
arch bracket



Application Decorative steel brackets with a slender classic shape, highlighted by a reinforcement in the form of an arch. They make a stylish finishing touch to a hallway, room or kitchen.

Material Powder coated steel, color: black or silver.

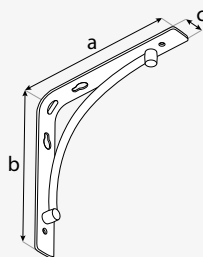
Mounting Different types of walls require different types of fasteners. Always use screws, bolts or dowels designed for the appropriate type of wall. The maximum load of an element always depends on the type of wall, the fixing used and the method of loading.



BOW 200



BOW 150



name	coat.	art. no.	dimensions [mm]				hole [mm]			weight [g]	pack. [pcs]
			a	b	c	≠	ø4,8	ø5	ø5×ø8,5×16,5		
BOW 150	●	5650	150	150	20	3,0	2	–	2	185	10
	○	5651	150	150	20	3,0	2	–	2	187	10
BOW 200	●	5655	200	200	20	3,0	–	2	2	265	10
	○	5656	200	200	20	3,0	–	2	2	262	10

coating:

- powder coated, color: black
- powder coated, color: silver

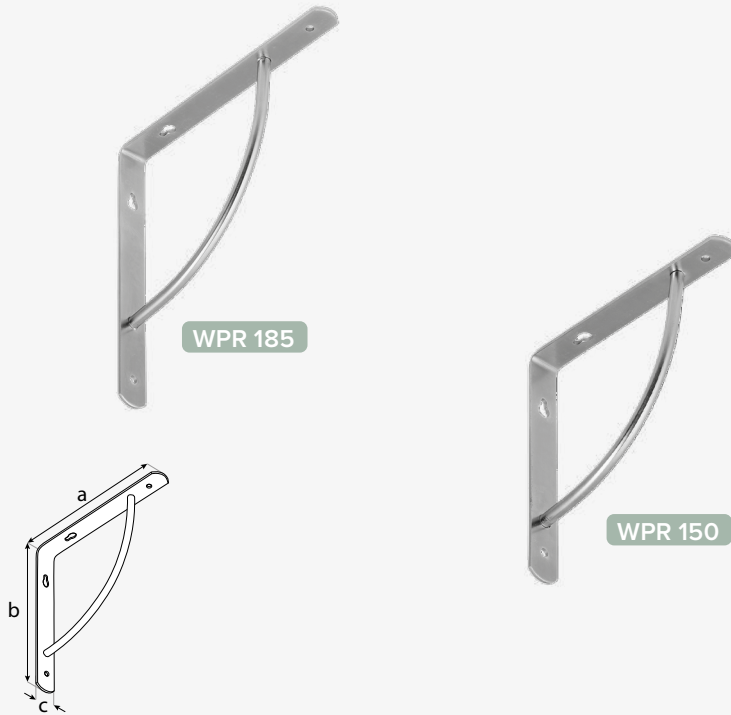
Application A decorative steel brackets, reinforced with an arch facing outwards from the construction. The rounded edges of the arms give them a delicate touch.

Material Powder coated steel, color: gray.

Mounting Different types of walls require different types of fasteners. Always use screws, bolts or dowels designed for the appropriate type of wall. The maximum load of an element always depends on the type of wall, the fixing used and the method of loading.

WPR

Decorative steel arch bracket



name	coat.	art. no.	dimensions [mm]				hole [mm]		weight [g]	pack. [pcs]
			a	b	c	≠	ø4,8	ø4/ø8×12		
WPR 150	●	5252	150	150	20	3,0	2	2	192	10
WPR 185	●	5255	185	185	20	3,0	2	2	242	10

coating:

- powder coated, color: gray



TRAMP

Decorative steel
arch bracket

Application

A decorative brackets made of steel. Finished with a teardrop-shaped weave. The matt silver colour emphasises their elegance.

Material

Powder coated steel, color: silver.

Mounting

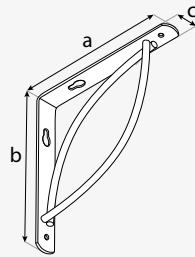
Different types of walls require different types of fasteners. Always use screws, bolts or dowels designed for the appropriate type of wall. The maximum load of an element always depends on the type of wall, the fixing used and the method of loading.



TRAMP 200



TRAMP 150



name	coat.	art. no.	dimensions [mm]				hole [mm]		weight [g]	pack. [pcs]
			a	b	c	≠	ø4,8	ø5/ø9×18,5		
TRAMP 150	●	5671	150	150	20	3,0	2	2	194	10
TRAMP 200	●	5676	200	200	20	3,0	2	2	266	10

coating:

● powder coated, color: silver



Application A curved steel brackets. The non-intrusive decorative form gives them a universal character, making the WSL brackets suitable for a wide range of uses – from the kitchen and dining room, through the bathroom, to the living room or hallway.

Material Powder coated steel, color: white.

Mounting Different types of walls require different types of fasteners. Always use screws, bolts or dowels designed for the appropriate type of wall. The maximum load of an element always depends on the type of wall, the fixing used and the method of loading.



WSL

Decorative steel arch bracket



name	coat.	art. no.	dimensions [mm]				hole [mm]	weight [g]	pack. [pcs]
			a	b	c	≠	ø4,8		
WSL 175	○	5232	167	137	20	3,0	4	139	10
WSL 250	○	5233	250	200	25	3,0	4	287	10

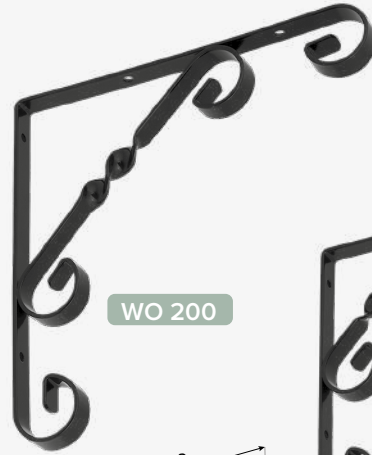
coating:
○ powder coated, color: white



WO

Ornamental steel bracket

- Application** An ornamental brackets made of steel. Slim and delicate, they create the impression of lightness, thereby discreetly highlighting the aesthetics of the shelf top construction.
- Material** Powder coated steel, color: black.
- Mounting** Different types of walls require different types of fasteners. Always use screws, bolts or dowels designed for the appropriate type of wall. The maximum load of an element always depends on the type of wall, the fixing used and the method of loading.



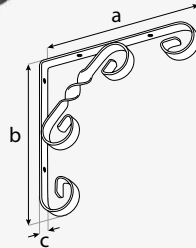
WO 200



WO 150



WO 100



name	coat.	art. no.	dimensions [mm]				hole [mm] ø4,5	weight [g]	pack. [pcs]
			a	b	c	≠			
WO 100	●	5262	100	100	13	2,5	4	128	10
WO 150	●	5272	150	150	13	2,5	4	174	10
WO 200	●	5282	200	200	13	2,5	4	204	10

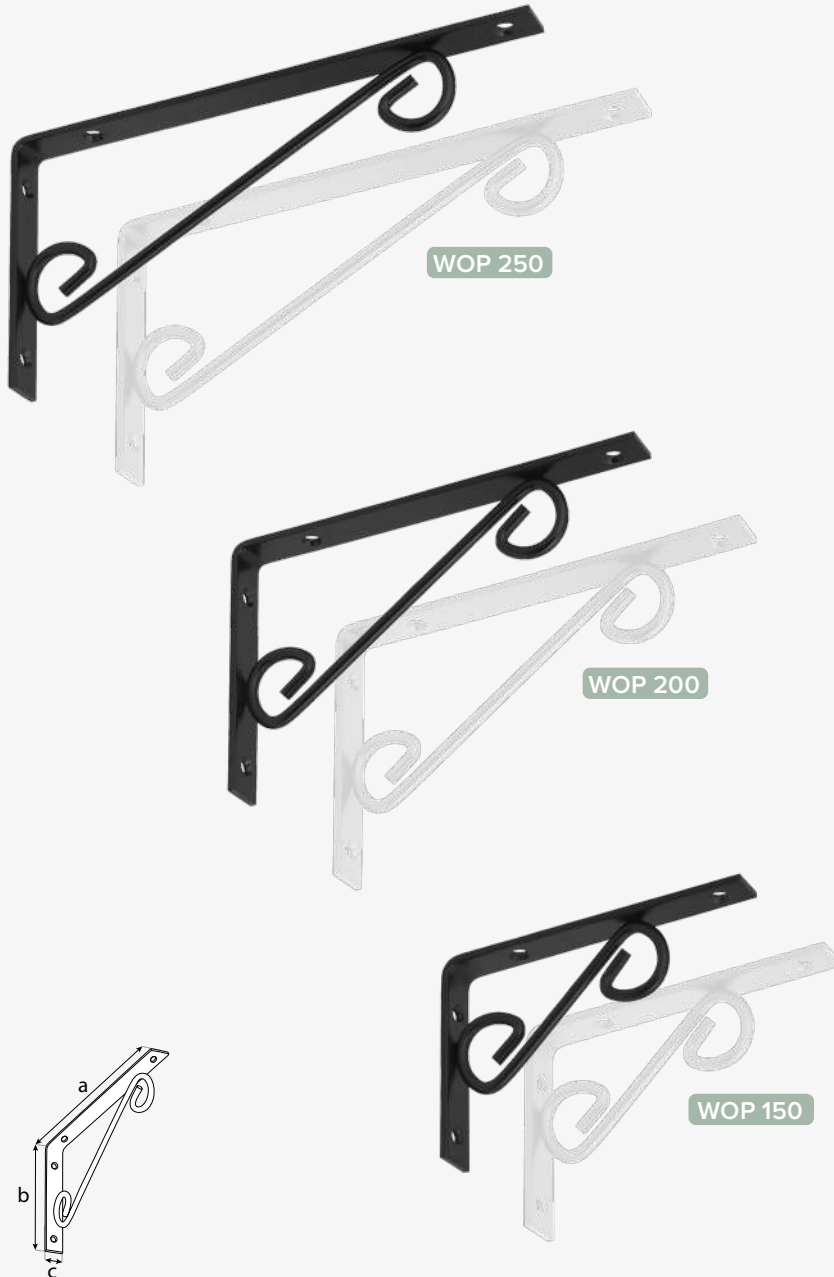
coating:
● powder coated, color: black



Application A brackets with a decorative ornament that makes the room design more varied and sophisticated.

Material Powder coated steel, color: white or black.

Mounting Different types of walls require different types of fasteners. Always use screws, bolts or dowels designed for the appropriate type of wall. The maximum load of an element always depends on the type of wall, the fixing used and the method of loading.



name	coat.	art. no.	dimensions [mm]				hole [mm]	weight [g]	pack. [pcs]
			a	b	c	≠			
WOP 150	○	5265	150	100	20	3,5	4	191	10
	●	5266	150	100	20	3,5	4	178	10
WOP 200	○	5267	200	125	20	3,5	4	241	10
	●	5268	200	125	20	3,5	4	243	10
WOP 250	○	5269	250	125	20	3,5	4	281	10
	●	5270	250	125	20	3,5	4	295	10

coating:
○ powder coated, color: white
● powder coated, color: black

WOP

Ornamental steel
bracket



WFK

Ornamental steel
bracket

Application A decorative bracket in which the classic ornamental element was visually transformed by flattening the curve. Perfect for creating a modern arrangement that corresponds with the classic design.

Material Powder coated steel, color: black.

Mounting Different types of walls require different types of fasteners. Always use screws, bolts or dowels designed for the appropriate type of wall. The maximum load of an element always depends on the type of wall, the fixing used and the method of loading.



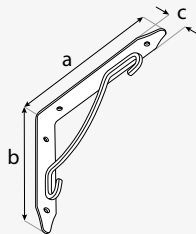
WFK 240



WFK 190



WFK 140



name	coat.	art. no.	dimensions [mm]				hole [mm]	weight [g]	pack. [pcs]
			a	b	c	≠			
WFK 140	●	520132	140	110	25	3,0	4	170	10
WFK 190	●	520133	190	140	25	3,0	4	250	10
WFK 240	●	520134	240	190	25	3,0	4	404	10

coating:
● powder coated, color: black

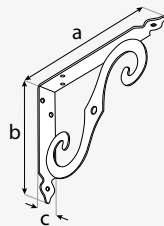
Application An ornamental bracket with a strong structure, whose decorativeness is further enhanced by the ornamental texture applied to the material. Perfect for creating expressive and richly decorated interiors.

Material Powder coated steel, color: black.

Mounting Different types of walls require different types of fasteners. Always use screws, bolts or dowels designed for the appropriate type of wall. The maximum load of an element always depends on the type of wall, the fixing used and the method of loading.

WFR

Ornamental steel bracket



name	coat.	art. no.	dimensions [mm]				hole [mm]	weight [g]	pack. [pcs]
			a	b	c	≠			
WFR 200	●	520139	200	150	25	2,5	6	233	10
WFR 250	●	520140	250	200	25	2,5	6	267	10

coating:

- powder coated, color: black



WOZ

Ornamental steel bracket



Application

Wrought-iron ornamental brackets. Suitable for sophisticated interiors – living rooms and rooms with an original atmosphere. Decorative in every detail, including the finials.

Material

Powder coated steel, color: black or silver.

Mounting

Different types of walls require different types of fasteners. Always use screws, bolts or dowels designed for the appropriate type of wall. The maximum load of an element always depends on the type of wall, the fixing used and the method of loading.



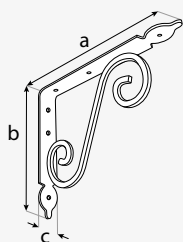
WOZ 240



WOZ 190



WOZ 140



name	coat.	art. no.	dimensions [mm]				hole [mm]		weight [g]	pack. [pcs]
			a	b	c	#	ø4,8	ø6		
WOZ 140	●	5920	140	110	25	3,0	4	–	176	12
	○	5923	140	110	25	3,0	4	–	177	12
WOZ 190	●	5921	190	140	25	3,0	4	–	249	12
	○	5924	190	140	25	3,0	4	–	255	12
WOZ 240	●	5922	240	190	26,5	3,5	–	4	411	12
	○	5925	240	190	26,5	3,5	–	4	414	12

coating:

- powder coated, color: black
- powder coated, color: silver

Application A triangular openwork bracket with an unusual form. Great for both traditional and modern interiors.

Material Powder coated steel, color: white or black.

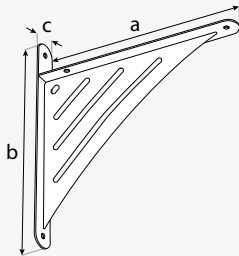
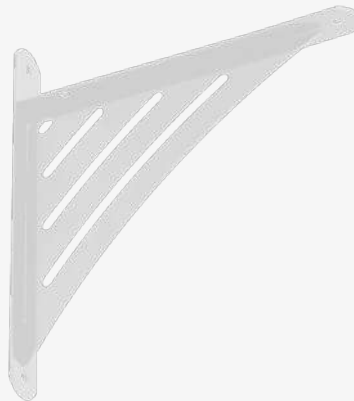
Mounting Different types of walls require different types of fasteners. Always use screws, bolts or dowels designed for the appropriate type of wall. The maximum load of an element always depends on the type of wall, the fixing used and the method of loading.

WAT

Decorative openwork
steel bracket



WAT 190



name	coat.	art. no.	dimensions [mm]				hole [mm]	weight [g]	pack. [pcs]
			a	b	c	≠	ø4,5		
WAT 190	○	5248	194	200	26	2,5	4	271	10
	●	5249	194	200	26	2,5	4	250	10

coating:

- powder coated, color: white
- powder coated, color: black



WPRP

Decorative
steel bracket

Application

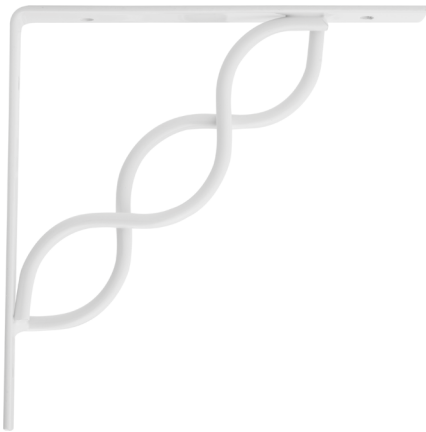
A brackets with a subtly interlaced decorative element. They will blend delicately into the space of a room or kitchen.

Material

Powder coated steel, color: white or black.

Mounting

Different types of walls require different types of fasteners. Always use screws, bolts or dowels designed for the appropriate type of wall. The maximum load of an element always depends on the type of wall, the fixing used and the method of loading.



WPRP 200



WPRP 150

name	coat.	art. no.	dimensions [mm]				hole [mm]	weight [g]	pack. [pcs]
			a	b	c	#			
WPRP 150	○	5234	150	150	20	3,0	4	196	8
	●	5235	150	150	20	3,0	4	193	8
WPRP 200	○	5236	200	200	20	3,0	4	268	10
	●	5237	200	200	20	3,0	4	267	10

coating:

○ powder coated, color: white

● powder coated, color: black



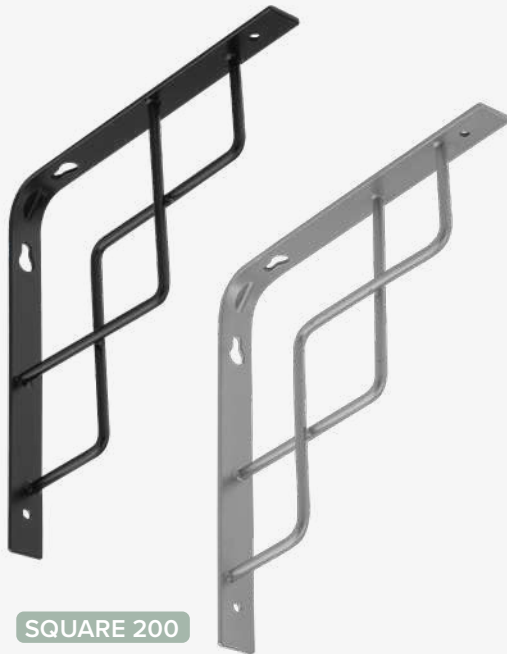
Application Steel shelf brackets with zigzag ornament. Eye-catching due to their unusual geometric form. Suitable for shelves made of any type of wood.

Material Powder coated steel, color: black or silver.

Mounting Different types of walls require different types of fasteners. Always use screws, bolts or dowels designed for the appropriate type of wall. The maximum load of an element always depends on the type of wall, the fixing used and the method of loading.

SQUARE

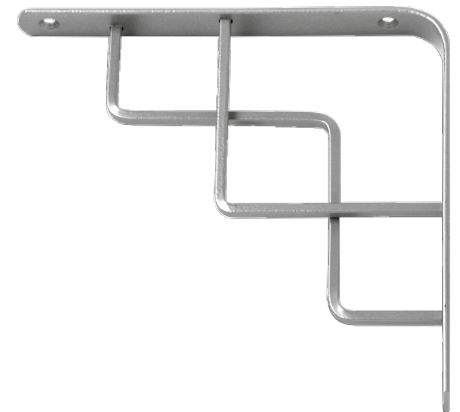
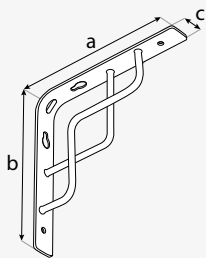
Decorative
steel bracket



SQUARE 200



SQUARE 150



name	coat.	art. no.	dimensions [mm]				hole [mm]			weight [g]	pack. [pcs]
			a	b	c	#	ø4,8	ø5	ø5/ø8,5×16,5		
SQUARE 150	●	5660	150	150	20	3,0	2	-	2	185	10
	○	5661	150	150	20	3,0	2	-	2	187	10
SQUARE 200	●	5665	200	200	20	3,0	-	2	2	265	10
	○	5666	200	200	20	3,0	-	2	2	262	10

coating:

- powder coated, color: black
- powder coated, color: silver

WOL

LOFT steel bracket

Application

A metal bracket designed for loft type shelves. Paint gloss level is semi-matt. The black colour of the bracket perfectly matches the rawness of loft interiors, and the wide range of shapes allows you to create unconventional arrangements.

Material

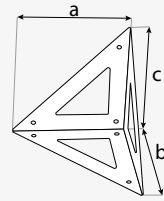
Powder coated steel, color: black.

Mounting

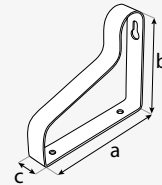
Different types of walls require different types of fasteners. Always use screws, bolts or dowels designed for the appropriate type of wall. The maximum load of an element always depends on the type of wall, the fixing used and the method of loading.



WOL 1

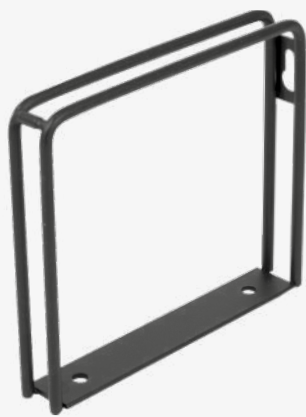
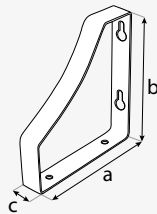


WOL 2

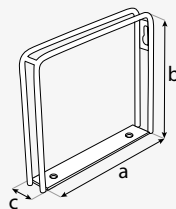




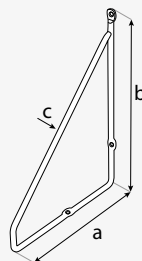
WOL 3



WOL 4



WOL 5



name	coat.	art. no.	dimensions [mm]				hole [mm]				weight [g]	pack. [pcs]
			a	b	c	≠	ø4	ø4,7	ø5,5	ø5/ø8,5×18		
WOL 1	●	59311	120	120	120	1,5	6	-	-	-	170	10
WOL 2	●	59312	120	105	20	2,3	-	-	2	2	120	10
WOL 3	●	59313	120	110	20	2,3	-	-	2	2	125	10
WOL 4	●	59314	125	108	20	2,3	-	-	2	-	120	10
WOL 5	●	59315	165	210	ø6,0	-	-	3	-	-	130	10

coating:

- powder coated, color: black

WOL

LOFT steel bracket



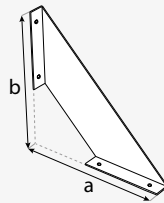
WFD

LOFT steel bracket

Application A distinctive loft bracket made of sheet metal fixed perpendicular to the wall. The design allows the shelf to be mounted either by propping it up or by hanging it, adding variety to the interior design.

Material Powder coated steel, color: black.

Mounting Different types of walls require different types of fasteners. Always use screws, bolts or dowels designed for the appropriate type of wall. The maximum load of an element always depends on the type of wall, the fixing used and the method of loading.



name	coat.	art. no.	dimensions [mm]			hole [mm]	weight [g]	pack. [pcs]
			a	b	≠	ø4,1		
WFD 200	●	520136	200	200	1,5	4	235	10

coating:
● powder coated, color: black



Application A black bracket whose construction is based on a pyramid. It consists of a triangular sheet on which the shelf is fixed, and bars that converge at the bottom of the support, holding the detail.

Material Powder coated steel, color: black.

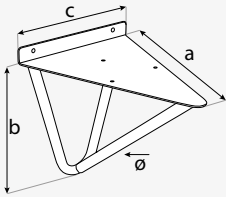
Mounting Different types of walls require different types of fasteners. Always use screws, bolts or dowels designed for the appropriate type of wall. The maximum load of an element always depends on the type of wall, the fixing used and the method of loading.

WFG

LOFT steel bracket



WFG 185



name	coat.	art. no.	dimensions [mm]						hole [mm]		weight [g]	pack. [pcs]
			a	b	c	ø	≠	ø3,5	ø4,8			
WFG 185	●	520135	200	185	160	12,5	2,0	3	2	480	10	

coating:

- powder coated, color: black



WFS

LOFT steel bracket

Application The original black loft brackets, whose mounting element embraces the shelf, making, jewellery-like, an integral decorative part of it. Suitable for shelves 18 mm thick and 160 mm deep. The set consists of two brackets (right and left).

Material Powder coated steel, color: black.

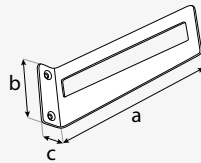
Mounting Different types of walls require different types of fasteners. Always use screws, bolts or dowels designed for the appropriate type of wall. The maximum load of an element always depends on the type of wall, the fixing used and the method of loading.



WFS 180 L



WFS 180 P



name	coat.	art. no.	dimensions [mm]				hole [mm]		weight [g]	pack. [pcs]
			a	b	c	≠	ø4,8			
WFS 180 L+P	●	520112	180	65	28	4,0	2	260	5	

coating:

- powder coated, color: black



Application A visually expressive loft bracket, allowing you to hang a shelf and at the same time hide its edges in a specially designed pocket. Designed for shelves 18 mm thick and 150 mm deep. A set consists of two brackets (right and left).

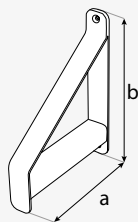
Material Powder coated steel, color: black.
Mounting Different types of walls require different types of fasteners. Always use screws, bolts or dowels designed for the appropriate type of wall. The maximum load of an element always depends on the type of wall, the fixing used and the method of loading.



WFC 160 L



WFC 160 P



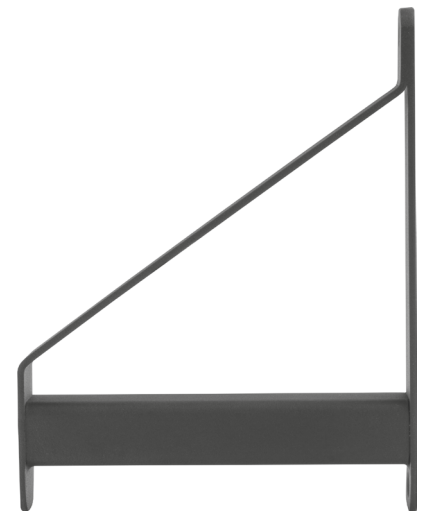
name	coat.	art. no.	dimensions [mm]				hole [mm]	weight [g]	pack. [pcs]
			a	b	c	≠			
WFC 160 L+P	●	520141	158,2	200	30	3,0	4	560	4

coating:

- powder coated, color: black

WFC

LOFT steel bracket



WFE

LOFT steel bracket

Application

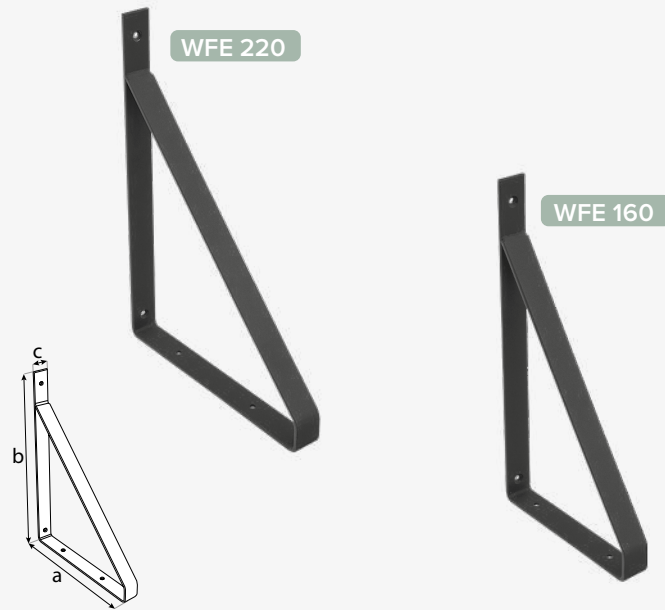
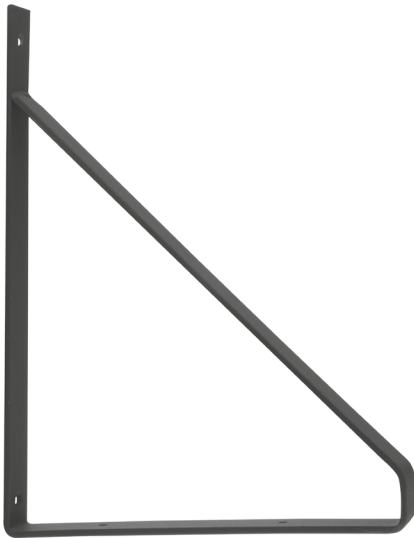
A loft bracket in the shape of a triangle, allowing a shelf to be suspended. An interesting element of the design is the vertical part of the flat bar extending at the top. Perfect for interiors in which you want to give the feeling of raw lightness.

Material

Powder coated steel, color: black.

Mounting

Different types of walls require different types of fasteners. Always use screws, bolts or dowels designed for the appropriate type of wall. The maximum load of an element always depends on the type of wall, the fixing used and the method of loading.



name	coat.	art. no.	dimensions [mm]					hole [mm]	weight [g]	pack. [pcs]
			a	a [wew.]	b	c	≠	ø4,2		
WFE 160	●	520129	163	153	300	24	4,0	4	550	10
WFE 220	●	520130	220	205	300	25	4,0	4	650	10

coating:

- powder coated, color: black



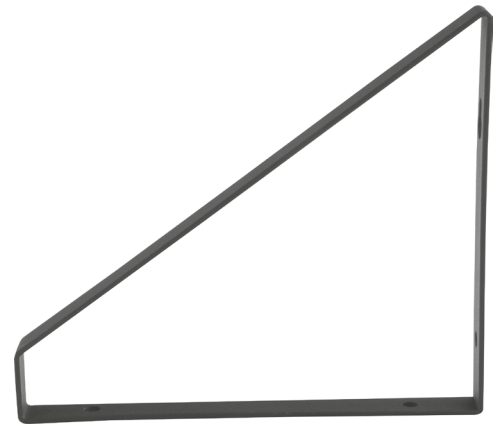
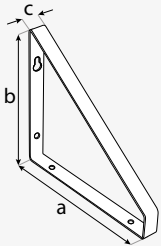
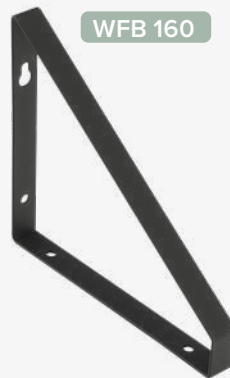
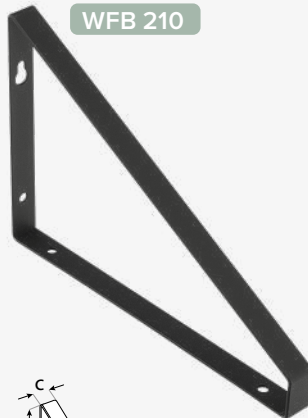
Application A loft bracket in the shape of a triangle, allowing a shelf to be suspended. The delicate look of this bracket fits perfectly into practically any décor.

Material Powder coated steel, color: black.

Mounting Different types of walls require different types of fasteners. Always use screws, bolts or dowels designed for the appropriate type of wall. The maximum load of an element always depends on the type of wall, the fixing used and the method of loading.

WFB

LOFT steel bracket



name	coat.	art. no.	dimensions [mm]					hole [mm]		weight [g]	pack. [pcs]
			a	a [wew.]	b	c	≠	Ø5,5	Ø5,5/Ø8,5×14		
WFB 160	●	520127	160	153	140	16	2,0	3	1	110	10
WFB 210	●	520128	210	203	140	16	2,0	3	1	135	10

coating:

- powder coated, color: black





see videos INTEGRi®



interior design system

INTEGRi

www.integrisystem.com

see page 155

Application The elegance and minimalism of the support, which is curved on the front side, makes it possible to achieve an interesting interior design. Visual dynamism is not only imparted by the bending of the support, but also by the one-sided, asymmetrical rounding of the arms.

Material Powder coated steel, color: black.

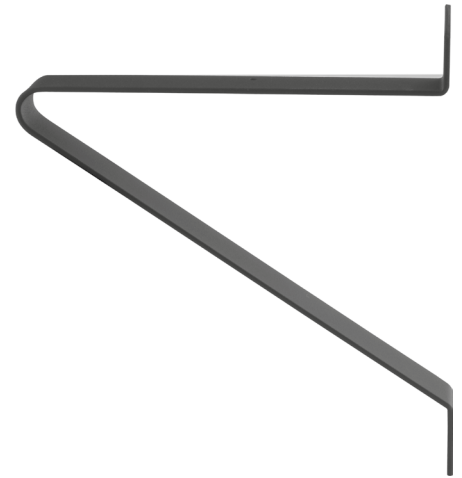
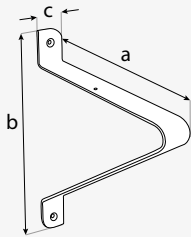
Mounting Different types of walls require different types of fasteners. Always use screws, bolts or dowels designed for the appropriate type of wall. The maximum load of an element always depends on the type of wall, the fixing used and the method of loading.

WFV

LOFT steel bracket



WFV 250



name	coat.	art. no.	dimensions [mm]				hole [mm]	weight [g]	pack. [pcs]
			a	b	c	≠	ø3,8		
WFV 240	●	520131	220	250	30	3,0	3	390	10

coating:

- powder coated, color: black



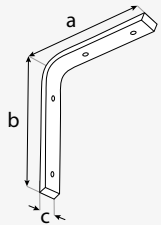
WDG

Curved
wooden bracket

Application A standard bent plywood bracket. Suitable for light-coloured bedrooms, rooms and even kitchens. It is a good idea to protect them with a clear varnish or stain or to paint them in any colour that matches the interior.

Material Beech wood.

Mounting Different types of walls require different types of fasteners. Always use screws, bolts or dowels designed for the appropriate type of wall. The maximum load of an element always depends on the type of wall, the fixing used and the method of loading.



name	mat.	art. no.	dimensions [mm]				hole [mm]		weight [g]	pack. [pcs]
			a	b	c	#	ø3			
WDG 150	■	5210	100	150	40	12,0	3	82	6	
WDG 200	■	5211	150	200	40	12,0	4	115	6	
WDG 250	■	5212	200	250	40	12,0	4	158	6	
WDG 300	■	5213	250	300	40	12,0	4	195	6	

materiał:
■ beech wood

Application A standard bent plywood bracket, narrow and delicate. They suit light-coloured bedrooms, rooms and even kitchens. It is a good idea to protect them with a clear varnish or stain or to paint them in any colour that suits the interior.

Material Beech wood.

Mounting Different types of walls require different types of fasteners. Always use screws, bolts or dowels designed for the appropriate type of wall. The maximum load of an element always depends on the type of wall, the fixing used and the method of loading.

WDGL

Lightweight
bentwood bracket



name	mat.	art. no.	dimensions [mm]				hole [mm]	weight [g]	pack. [pcs]
			a	b	c	≠	ø3		
WDGL 150	■	5214	100	150	20	12,0	3	40	6
WDGL 200	■	5216	150	200	20	12,0	4	61	6
WDGL 250	■	5218	200	250	20	12,0	4	82	6

material:
■ beech wood



WDP

Wooden bracket

Application

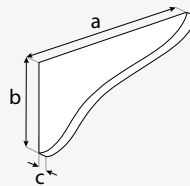
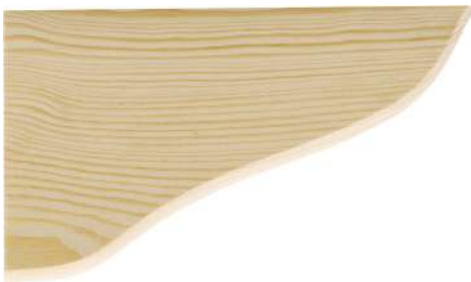
A flat bracket made of pine wood. Suitable for almost any room. Designed to be made of untreated wood, they should be protected with a clear varnish or stain, or painted in any colour to match the interior.

Material

Pine wood.

Mounting

Different types of walls require different types of fasteners. Always use screws, bolts or dowels designed for the appropriate type of wall. The maximum load of an element always depends on the type of wall, the fixing used and the method of loading.



name	mat.	art. no.	dimensions [mm]			hole [mm]	weight [g]	pack. [pcs]
			a	b	c	ø6/ø10×19		
WDP 165	■	5226	165	95	20	1	105	6
WDP 215	■	5227	215	120	20	1	162	6

material:

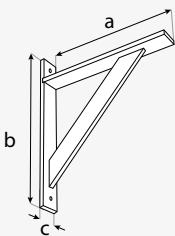
■ pine wood



Application Made of pine wood, reinforced brackets. Recommended as a support element for shelves in utility rooms or pantries. Thanks to their rawness and uncomplicated shape, they are particularly suitable for Scandinavian-style interiors. Protect them with a clear varnish or stain or paint them any colour that suits the interior.

Material Pine wood.

Mounting Different types of walls require different types of fasteners. Always use screws, bolts or dowels designed for the appropriate type of wall. The maximum load of an element always depends on the type of wall, the fixing used and the method of loading.



name	mat.	art. no.	dimensions [mm]				hole [mm]		weight [g]	pack. [pcs]
			a	b	c	≠	∅3			
WDW 230	■	5221	230	170	30	11,0	2	101	6	
WDW 280	■	5223	280	230	30	11,0	2	135	6	
WDW 320	■	5225	320	280	30	11,0	2	212	6	

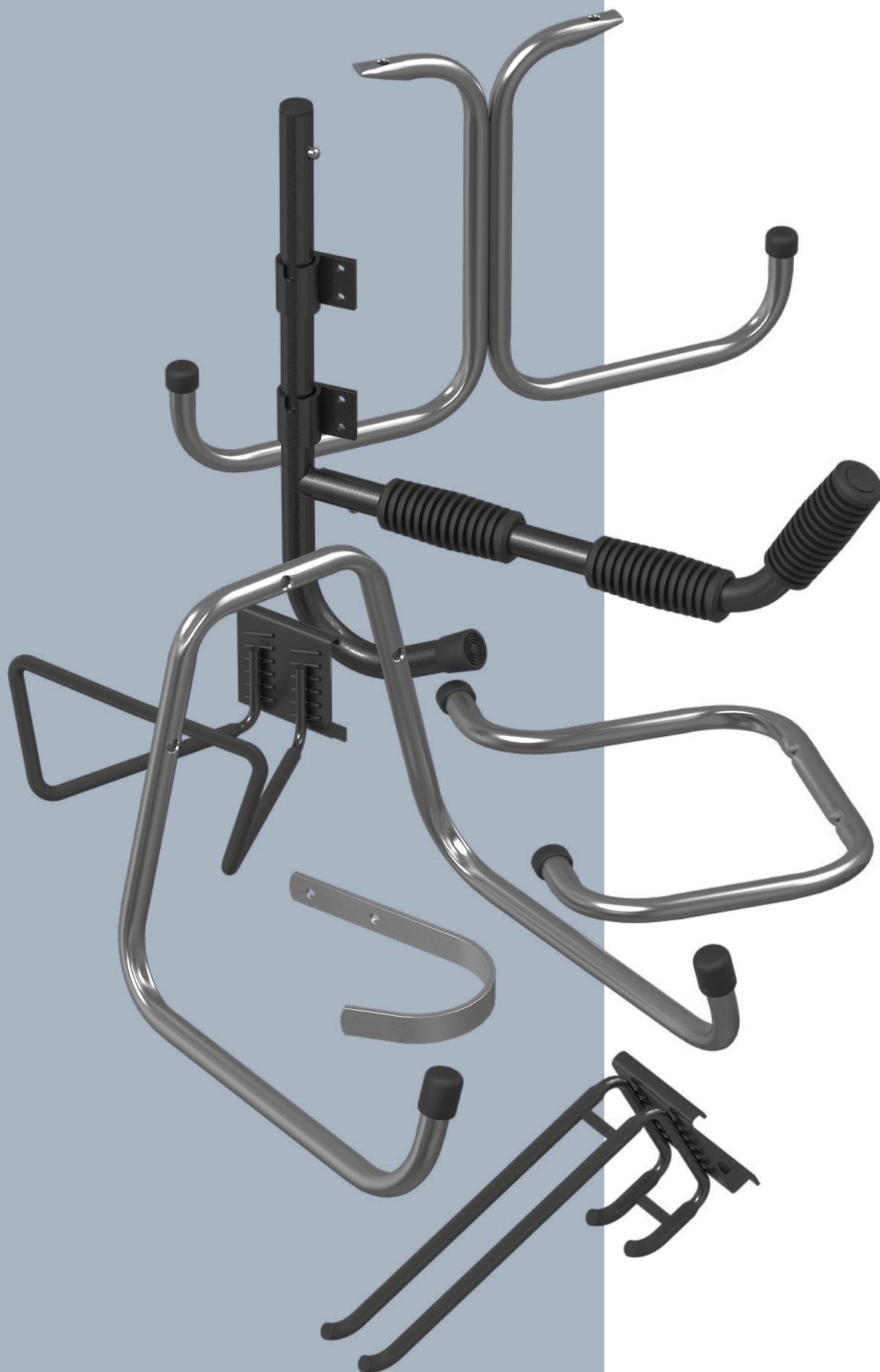
materiał:
■ pine wood

WDW

Reinforced wooden bracket







**HOLDERS
GARAGE HOOKS**

SGH

Garage hooks



Application

The Goliat garage hooks will keep your garage in order, whilst their black colour and modern design will add style to your garage. Due to the possibility of convenient storage of various types of garden tools, sports equipment or electric tools, it allows for functional use of wall space. The hooks are made of steel with a rubber coating on the parts that come into direct contact with the items to be hung to protect them from scratches.

Material

Powder coated steel, color: black; rubber, color: black.

Mounting

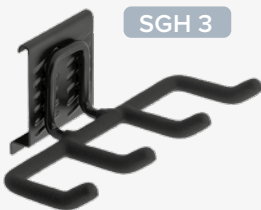
Brackets to be clipped onto the ARR mounting rail of the Integri System or the SGS of the Goliat System.



SGH 1



SGH 2



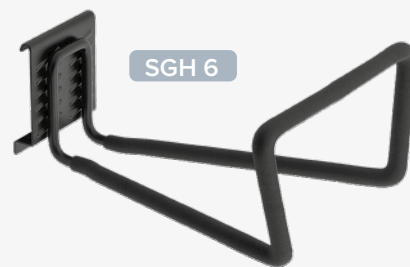
SGH 3



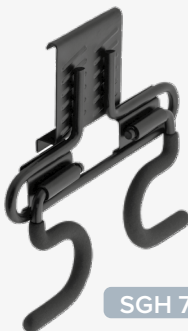
SGH 4



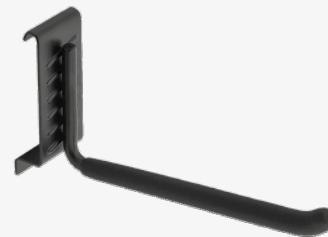
SGH 5



SGH 6



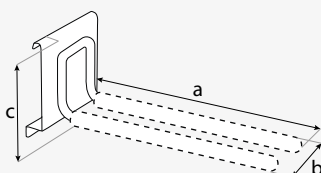
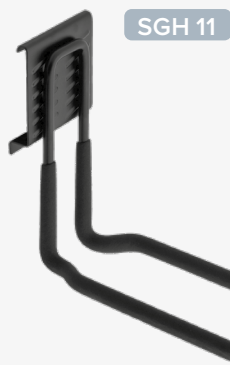
SGH 7



SGH 8

SGH

Garage hooks



name	coat.	art. no.	dimensions [mm]					weight [g]	pack. [pcs]
			a	b	c	≠	∅		
SGH 1	●▼	5873	200	75	90	1,8	12	339	*
SGH 2	●▼	5874	240	75	90	1,8	12	396	*
SGH 3	●▼	5875	130	210	90	1,8	12	419	*
SGH 4	●▼	5876	220	75	90	1,8	12	345	*
SGH 5	●▼	5877	175	80	230	1,8	12	438	*
SGH 6	●▼	5878	265	75	110	1,8	12	494	*
SGH 7	●▼	5879	207	-	205	1,8	12	567	*
SGH 8	●▼	5880	190	38	90	1,8	12	157	*
SGH 9	●▼	5881	140	38	90	1,8	12	129	*
SGH 10	●▼	5882	58	38	115	1,8	8	98	*
SGH 11	●▼	5883	230	80	180	1,8	12	468	*
SGH 12	●▼	5884	145	75	105	1,8	12	303	*
SGH 13	●▼	5885	270	76	115	1,8	12	512	*
SGH 14	●▼	5886	145	-	75	1,8	12	218	*
SGH 15	●▼	5887	240	165	90	1,8	12	351	*

* information available directly from the retailer

coating:

●▼ powder coated, color: black + rubber, color: black

SGS

Assembly rail



SGM

Cover plate for the assembly rail



SGL

Connector for assembly rail



Application

The SGS rail is designed as a base to which any set of Goliat garage hooks can be clipped. The SGL rail connector allows the rail to be extended on the wall. The SGM fascias (available as a set to be fitted to the right and left ends of the rail) provide an aesthetically pleasing protection for the ends of the Goliat rail.

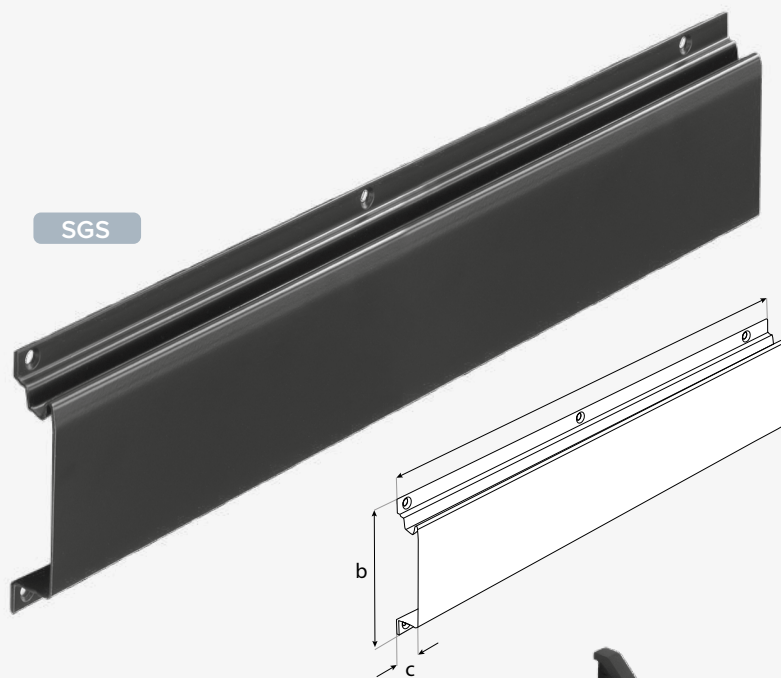
Material

Powder coated steel, color: black (SGS); plastic (SGL, SGM), color: black.

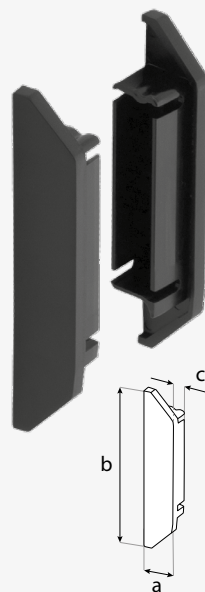
Mounting

Different types of walls require different types of fasteners. Always use screws, bolts or dowels designed for the appropriate type of wall. The maximum load of an element always depends on the type of wall, the fixing used and the method of loading.

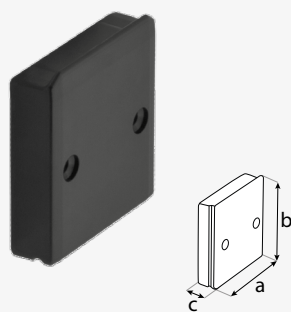
SGS



SGM



SGL



name	coat.	art. no.	dimensions [mm]				hole [mm]	weight [g]	pack. [pcs]
			a	b	c	≠			
SGS	●	5870	610	100	19	1,8	14	620	10
SGM	▼	5872	21	105	18	–	–	28	*
SGL	▼	5871	60	70	17	–	2	30	*

* information available directly from the retailer

coating:

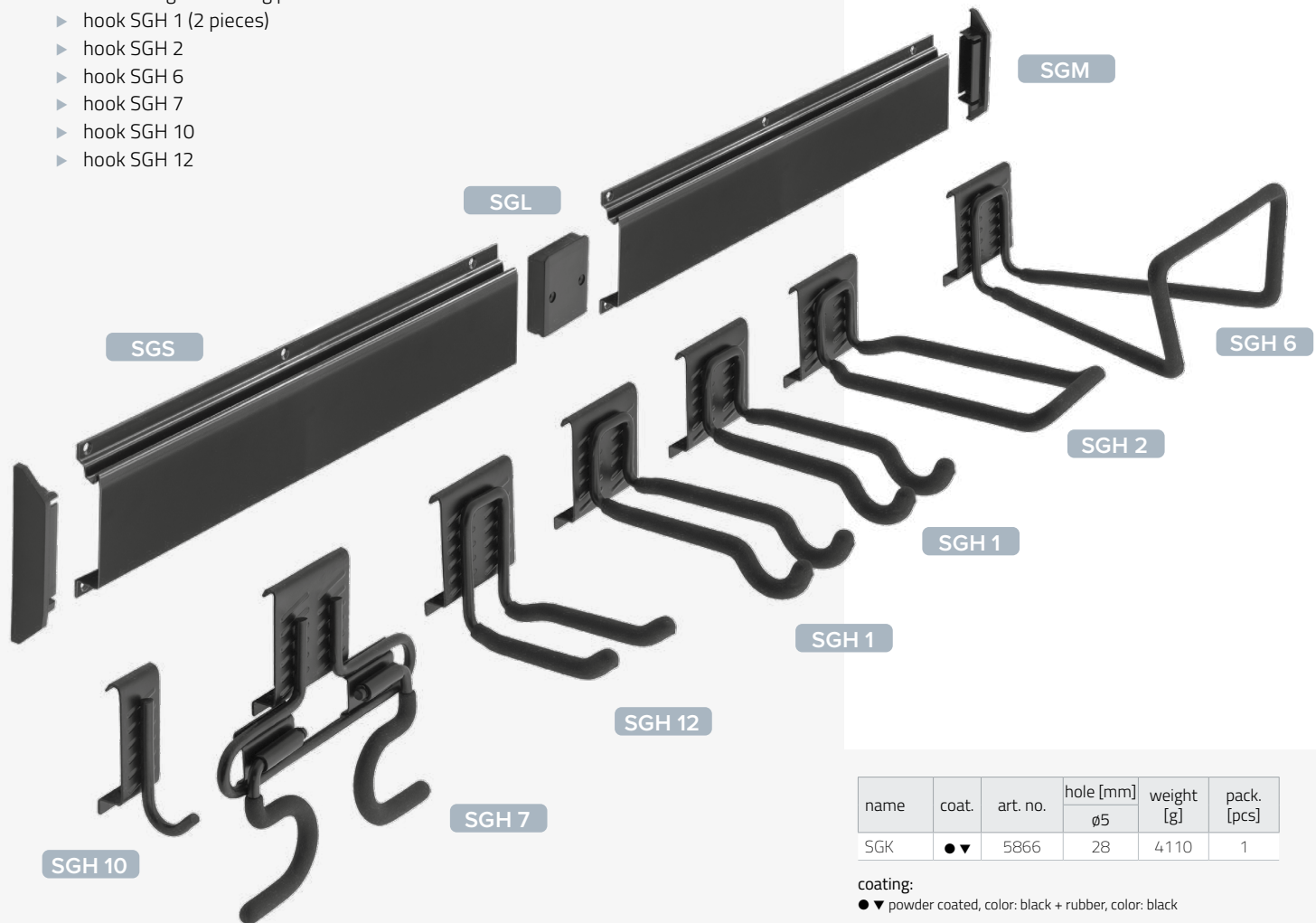
- powder coated, color: black
- ▼ plastic, color: black

An optimally matched set of selected Goliat garage hooks, completed with the necessary wall-screw rails and finishing elements (rail connectors and fascias). Guarantees functional use of wall space, allowing comfortable storage of garden tools, work clothes or power tools. The SGK set comprises:

- ▶ SGS wall fixing rail (2 pieces)
- ▶ rail connector SGL
- ▶ left and right masking profile SGM
- ▶ hook SGH 1 (2 pieces)
- ▶ hook SGH 2
- ▶ hook SGH 6
- ▶ hook SGH 7
- ▶ hook SGH 10
- ▶ hook SGH 12

SGK

The Goliat set



name	coat.	art. no.	hole [mm]	weight [g]	pack. [pcs]
			ø5		
SGK	●▼	5866	28	4110	1

coating:

●▼ powder coated, color: black + rubber, color: black



ARB

Rail bracket



Application

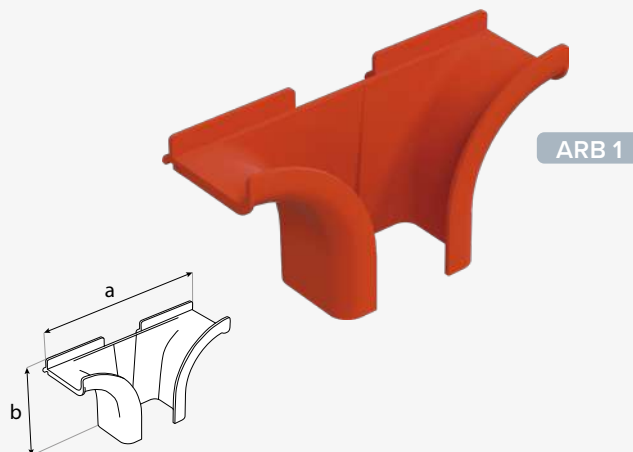
The SGS rail-mounted clip-on holders make it possible to hang almost any tool which has a handle, e.g. a shovel, broom, axe, etc., on the wall. Further expand the storage possibilities in the garage or utility room and give each tool its own individual place on the wall.

Material

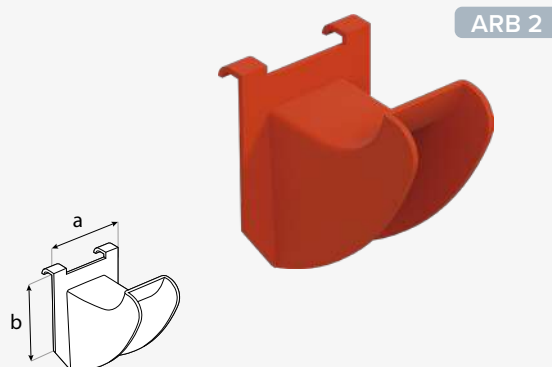
Plastic, color: orange.

Mounting

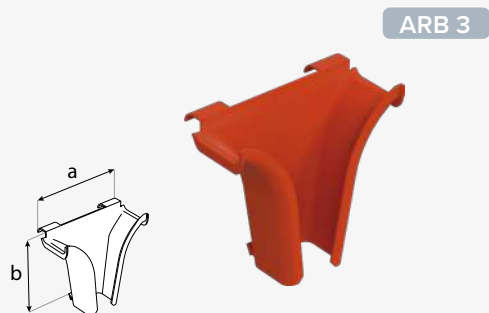
Handles clipped onto the ARR rail of the Integri System or the SGS Goliat System.



ARB 1



ARB 2



ARB 3

name	coat.	art. no.	dimensions [mm]		weight [g]	pack. [pcs]
			a	b		
ARB 1	▼	57356	180	95	90	10
ARB 2	▼	57357	150	100	40	10
ARB 3	▼	57358	70	80	20	10

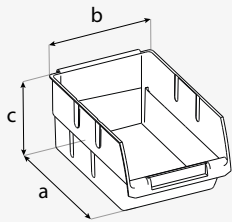
coating:

▼ plastic, color: orange

- Application** The PE Workshop Containers attach to the SGS rail. Thanks to their compact size, accessories can be clearly arranged and mounted on the rail for quick and easy access. The plastic containers are ideal for storing small parts.
- Material** Plastic, color: orange.
- Mounting** Boxes clipped onto the mounting rail of the ARR Integri System or the SGS Goliat System.

ARC

PE container



ARC



name	coat.	art. no.	dimensions [mm]			weight [g]	pack. [pcs]
			a	b	c		
ARC	▼	57355	160	100	80	90	10

coating:

▼ plastic, color: orange



SGO

Tyre hook



Application

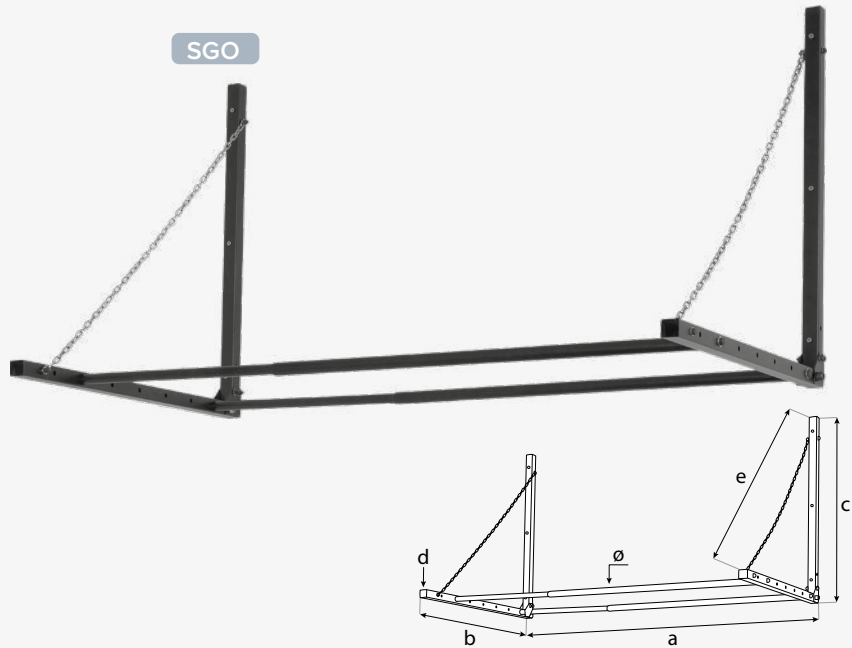
The car tyre bracket helps to save a lot of valuable floor space in the garage, basement or car workshop. A huge advantage of this model is that it is adjustable in width, allowing you to customise its size to suit your individual needs. The set includes: assembly instructions, screws $\varnothing 5 \times 75$ (6 pcs), expansion shrouds $\varnothing 8 \times 40$ (6 pcs) and for fixing in the wall, as well as the necessary screws $M6 \times 45$ (4 pcs), $M8 \times 50$ (4 pcs) for screwing all the elements together. Self-assembly kit.

Material

Powder coated steel, color: black.

Mounting

Using the components included in the kit.



name	coat.	art. no.	dimensions [mm]						hole [mm]	screws [pcs]	expansion dowels [pcs]	bolts [pcs]		weight [g]	pack. [pcs]
			a	b	c	d	e	\varnothing				$M6 \times 45$	$M8 \times 50$		
SGO	●	5898	81-120	725	715	$\square 30$	910	25	4	6	6	4	4	5980	2

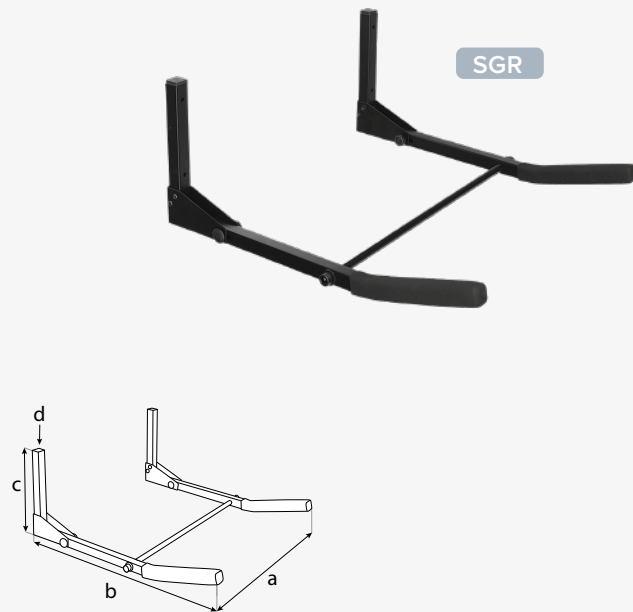
coating:

- powder coated, color: black



Application A holder designed for hanging a bicycle. Works well in the garage but also in the room or on the balcony. Allows the bicycle to be safely hanged on the wall. Interesting and functional solution. The universal size fits any bike. Mounting on the wall is very easy. The kit includes: assembly instructions, spacer sleeves $\varnothing 8 \times 40$ (4 pcs) and screws $\varnothing 4.8 \times 64$ (4 pcs) for fixing in the wall, as well as the necessary screws M10 $\times 35$ (2 pcs) for screwing everything together. Self-assembly kit.

Material Powder coated steel, color: black; rubber, color: black.
Mounting Using the components included in the kit.



SGR



SGR

Bicycle hitch

name	coat.	art. no.	dimensions [mm]				hole [mm]		screws [pcs]	expansion dowels [pcs]	bolts [pcs]	weight [g]	pack. [pcs]
			a	b	c	d	$\varnothing 5,5$	$\varnothing 10$					
SGR	●▼	5897	430	465	195	20	4	2	4	6	2	1520	8

coating:

●▼ powder coated, color: black + rubber, color: black



HDS

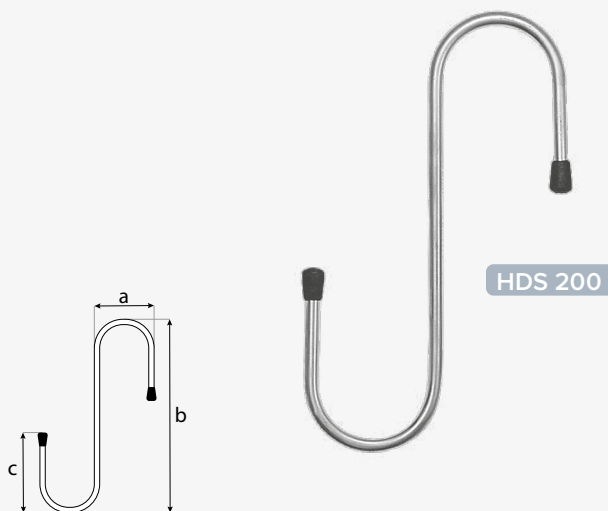
S-type
garage hook



Application S-type hooks, especially helpful for working on a ladder (they allow you to hang the bucket conveniently). Useful for organising space in utility rooms – for hanging garage & garden accessories or cables.

Material Steel electrogalvanized, color: silver; plastic, color: black.

Mounting Mounted by hanging on a rod or bar.



name	coat.	art. no.	dimensions [mm]				weight [g]	pack. [pcs]
			a	b	c	∅		
HDS 200	●▼	5863	58	200	80	6	88	5

coating:

●▼ electrogalvanized, color: silver + plastic, color: black

H2P

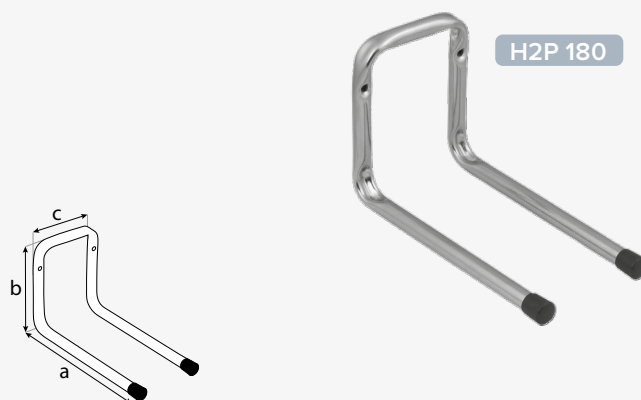
Straight garage
wall hook



Application Double garage hooks for hanging larger tools, wrapping cable or rope.

Material Powder coated steel, color: silver; plastic, color: black.

Mounting Different types of walls require different types of fasteners. Always use screws, bolts or dowels designed for the appropriate type of wall. The maximum load of an element always depends on the type of wall, the fixing used and the method of loading.



name	coat.	art. no.	dimensions [mm]				hole [mm]	weight [g]	pack. [pcs]
			a	b	c	∅	∅5		
H2P 180	●▼	5821	180	120	90	12,2	2	151	5

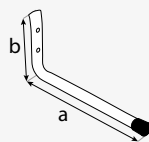
coating:

●▼ powder coated, color: silver + plastic, color: black

Application A simple steel hook to hang small gardening equipment, tools needed in the garage or sports equipment.

Material Powder coated steel, color: silver; plastic, color: black.

Mounting Different types of walls require different types of fasteners. Always use screws, bolts or dowels designed for the appropriate type of wall. The maximum load of an element always depends on the type of wall, the fixing used and the method of loading.



name	coat.	art. no.	dimensions [mm]			hole [mm]	weight [g]	pack. [pcs]
			a	b	∅	∅4,5		
HPP 180	●▼	5801	180	90	12,2	2	55	10
HPP 250	●▼	5802	250	170	12,2	2	85	10
HPP 350	●▼	5803	350	170	12,2	2	110	10

coating:

●▼ powder coated, color: silver + plastic, color: black



HPP

Garage wall hook,
single, straight

HPU

Garage wall hook,
single, bent

Application A single hook with a bent end to prevent slipping of hanging cables or light tools.

Material Powder coated steel, color: silver; plastic, color: black.

Mounting Different types of walls require different types of fasteners. Always use screws, bolts or dowels designed for the appropriate type of wall. The maximum load of an element always depends on the type of wall, the fixing used and the method of loading.



HPU 260



HPU 200



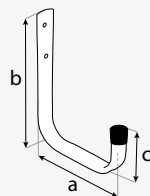
HPU 160



HPU 120



HPU 80



name	coat.	art. no.	dimensions [mm]				hole [mm]	weight [g]	pack. [pcs]
			a	b	c	ø	ø5		
HPU 80	●▼	5811	80	120	55	12,2	2	43	10
HPU 120	●▼	5812	120	140	55	12,2	2	54	10
HPU 160	●▼	5813	160	200	80	19,1	2	129	10
HPU 200	●▼	5814	200	300	80	19,1	2	170	10
HPU 260	●▼	5815	260	300	80	19,1	2	231	10

coating:

●▼ powder coated, color: silver + plastic, color: black

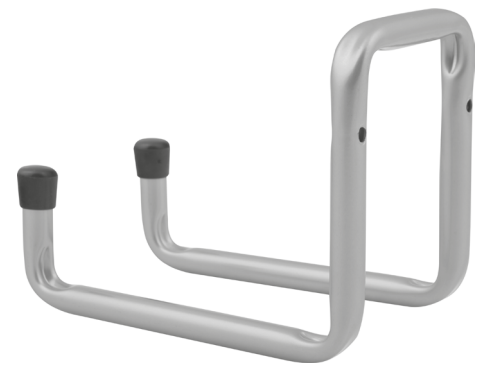
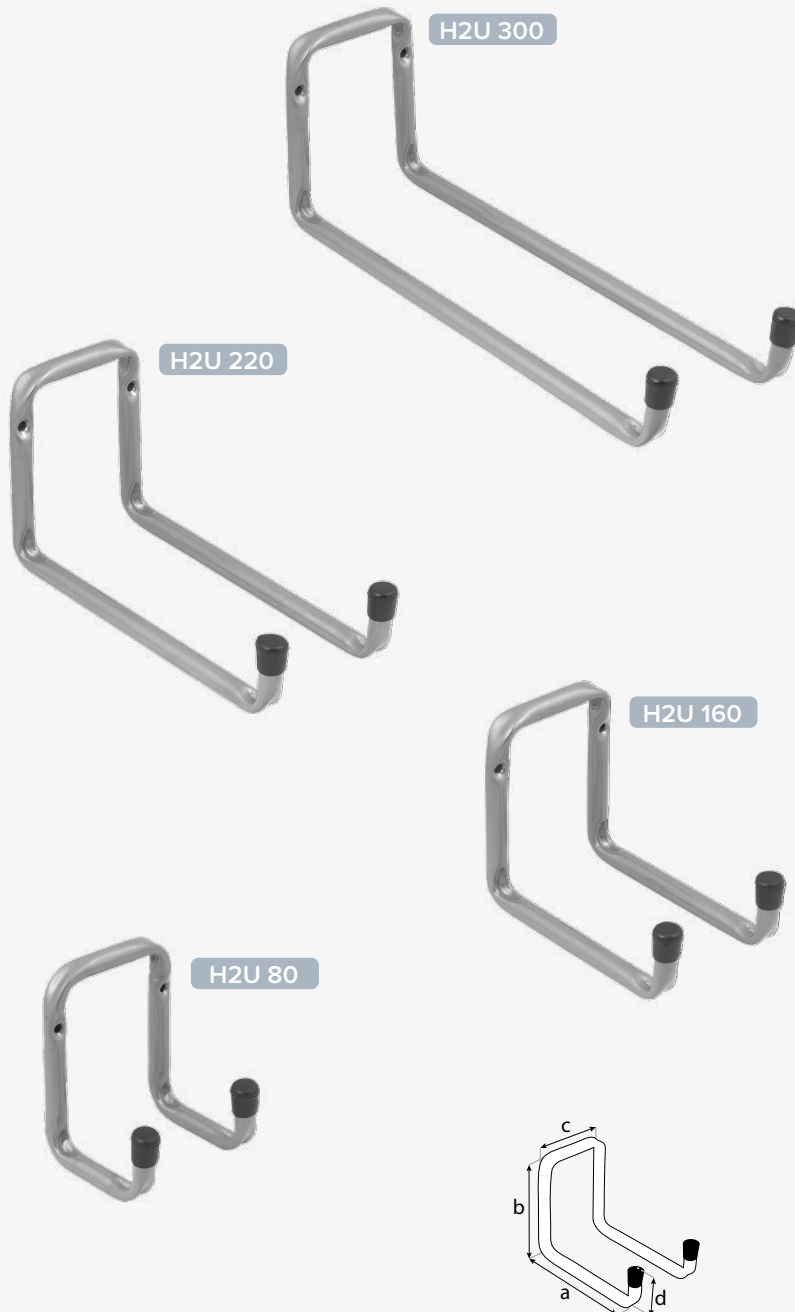
Application Double garage hooks, perfect for storing tools with wide handles like forks, shovels and spades. The bend at the end prevents the suspended items from slipping.

Material Powder coated steel, color: silver; plastic, color: black.

Mounting Different types of walls require different types of fasteners. Always use screws, bolts or dowels designed for the appropriate type of wall. The maximum load of an element always depends on the type of wall, the fixing used and the method of loading.

H2U

Garage wall hook,
double



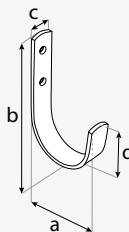
name	coat.	art. no.	dimensions [mm]				hole [mm]		weight [g]	pack. [pcs]
			a	b	c	d	ø	ø5		
H2U 80	●▼	5822	80	120	90	60	12,2	2	99	5
H2U 160	●▼	5823	160	120	90	60	12,2	2	134	5
H2U 220	●▼	5824	220	120	90	60	12,2	2	155	5
H2U 300	●▼	5825	300	120	90	70	12,2	2	188	5

coating:

●▼ powder coated, color: silver + plastic, color: black

HMU

Garage wall hook,
flat



Application A simple hook to hang accessories or smaller tools in the workshop, garage or utility room.

Material Steel electrogalvanized, color: silver.

Mounting Different types of walls require different types of fasteners. Always use screws, bolts or dowels designed for the appropriate type of wall. The maximum load of an element always depends on the type of wall, the fixing used and the method of loading.



name	coat.	art. no.	dimensions [mm]					hole [mm]		weight [g]	pack. [pcs]
			a	b	c	d	≠	ø4,5	ø7		
HMU 46	●	5850	36	46	16,5	17,5	3,5	2	–	37	50
HMU 90	●	5851	30	90	20	28	3,5	–	2	73	10
HMU 110	●	5852	60	110	20	45	3,5	–	2	114	10
HMU 180	●	5853	100	180	20	60	4,0	–	2	187	10

coating:

● electrogalvanized, color: silver

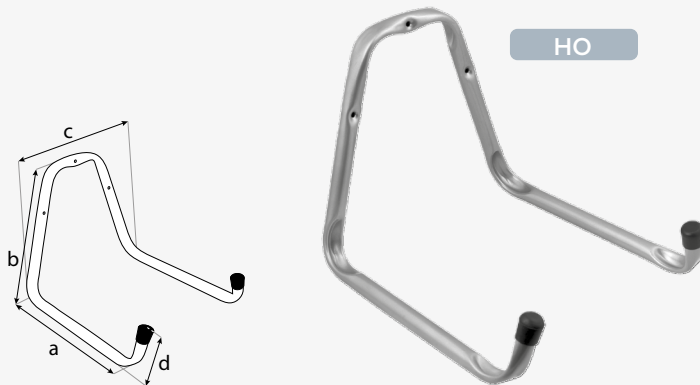
Application Double hooks to keep your garage or utility room tidy. Perfect for hanging a garden hose, for example.

Material Powder coated steel, color: silver; plastic, color: black.

Mounting Different types of walls require different types of fasteners. Always use screws, bolts or dowels designed for the appropriate type of wall. The maximum load of an element always depends on the type of wall, the fixing used and the method of loading.

HO

Double wall hook



name	coat.	art. no.	dimensions [mm]					hole [mm]		weight [g]	pack. [pcs]
			a	b	c	d	ϕ	$\phi 5$			
HO 300	●▼	5835	300	250	250	80	19,2	3	461	5	

coating:

●▼ powder coated, color: silver + plastic, color: black



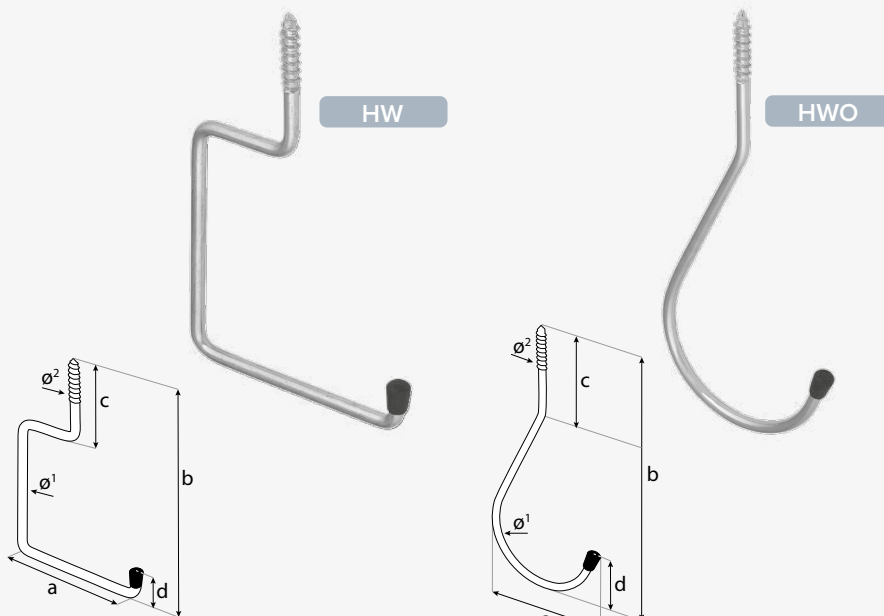
Application Functional screw hooks to hang tools, cables and workwear. Additionally, the HW hooks can be used as shelf supports.

Material Steel electrogalvanized, color: silver; plastic, color: black.

Mounting The threaded end makes it possible to screw the hook directly into wood, for example, and also (with the appropriate dowels) into concrete.

HWO

Screw-on garage hook



name	coat.	art. no.	dimensions [mm]					weight [g]	pack. [pcs]	
			a	b	c	d	$\phi 1$			$\phi 2$
HW	●▼	5841	110	170	65	30	6	8	77	5
HWO	●▼	5842	100	210	70	85	6	8	77	5

coating:

●▼ electrogalvanized, color: silver + plastic, color: black



HST

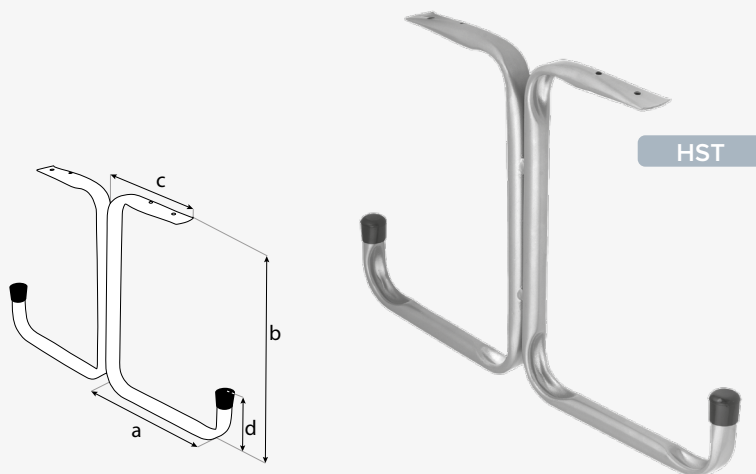
Double garage ceiling hook



Application Double hooks attached to the ceiling, frequently used as a ceiling shelf support or ski support. Using HST hooks can give you more valuable floor or wall space.

Material Powder coated steel, color: silver; plastic, color: black.

Mounting Different types of walls require different types of fasteners. Always use screws, bolts or dowels designed for the appropriate type of wall. The maximum load of an element always depends on the type of wall, the fixing used and the method of loading.



name	coat.	art. no.	dimensions [mm]				hole [mm]		weight [g]	pack. [pcs]
			a	b	c	d	ø	ø5		
HST 300	●▼	5832	230	300	140	90	19,1	4	405	6

coating:
●▼ powder coated, color: silver + plastic, color: black

W2P

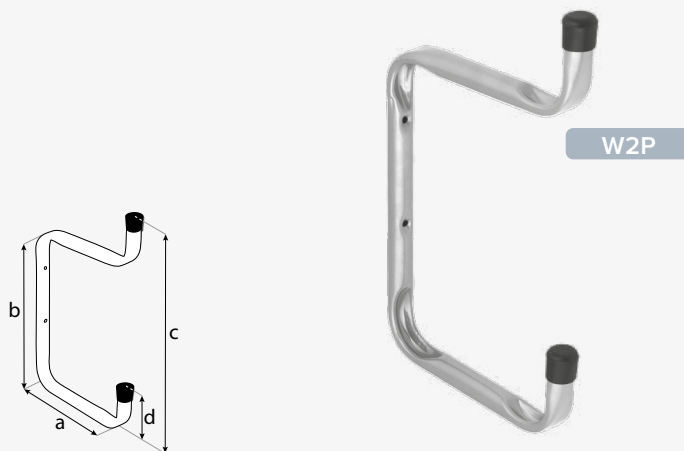
Garage wall hook, for shelves



Application A hook that functions as a support for two shelves. Attached to the wall, it allows shelves to be suspended one above the other. Often used together with HW and HWO screw hooks in cellars or workshops.

Material Powder coated steel, color: silver; plastic, color: black.

Mounting Different types of walls require different types of fasteners. Always use screws, bolts or dowels designed for the appropriate type of wall. The maximum load of an element always depends on the type of wall, the fixing used and the method of loading.



name	coat.	art. no.	dimensions [mm]				hole [mm]		weight [g]	pack. [pcs]
			a	b	c	d	ø	ø5		
W2P 200	●▼	5831	200	250	340	90	19,2	2	251	6

coating:
●▼ powder coated, color: silver + plastic, color: black

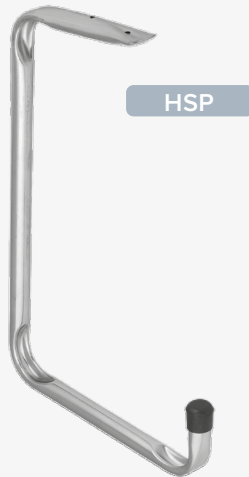
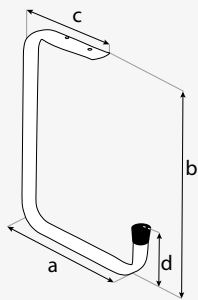
Application Ceiling-mounted or shelf-mounted hooks that can successfully store gardening tools or sports equipment.

Material Powder coated steel, color: silver; plastic, color: black.

Mounting Different types of walls require different types of fasteners. Always use screws, bolts or dowels designed for the appropriate type of wall. The maximum load of an element always depends on the type of wall, the fixing used and the method of loading.

HSP

Garage ceiling hook
for shelf



name	coat.	art. no.	dimensions [mm]				hole [mm]		weight [g]	pack. [pcs]
			a	b	c	d	∅	∅5		
HSP 260	●▼	5833	260	390	200	90	19,2	2	315	6

coating:

●▼ powder coated, color: silver + plastic, color: black

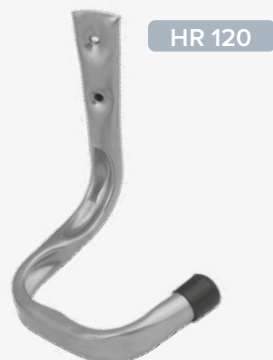
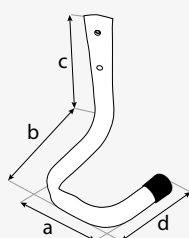


HR

Garage wall hook – bicycle



- Application** The bicycle hooks are the perfect solution for anyone who would like to make better use of the space of a utility room, garage or balcony by hanging a bicycle on the wall.
- Material** Powder coated steel, color: silver; plastic, color: black.
- Mounting** Different types of walls require different types of fasteners. Always use screws, bolts or dowels designed for the appropriate type of wall. The maximum load of an element always depends on the type of wall, the fixing used and the method of loading.



name	coat.	art. no.	dimensions [mm]				hole [mm]		weight [g]	pack. [pcs]
			a	b	c	d	∅	∅5		
HR 120	●▼	5834	120	120	180	80	19,1	2	145	5

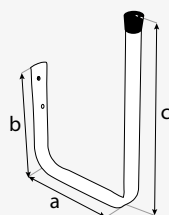
coating:
●▼ powder coated, color: silver + plastic, color: black

HWS

Wall hook for sports board storage



- Application** Created for activity enthusiasts requiring sports boards. Easy to mount, allows you to store your equipment safely.
- Material** Powder coated steel, color: silver; plastic, color: black.
- Mounting** Different types of walls require different types of fasteners. Always use screws, bolts or dowels designed for the appropriate type of wall. The maximum load of an element always depends on the type of wall, the fixing used and the method of loading.



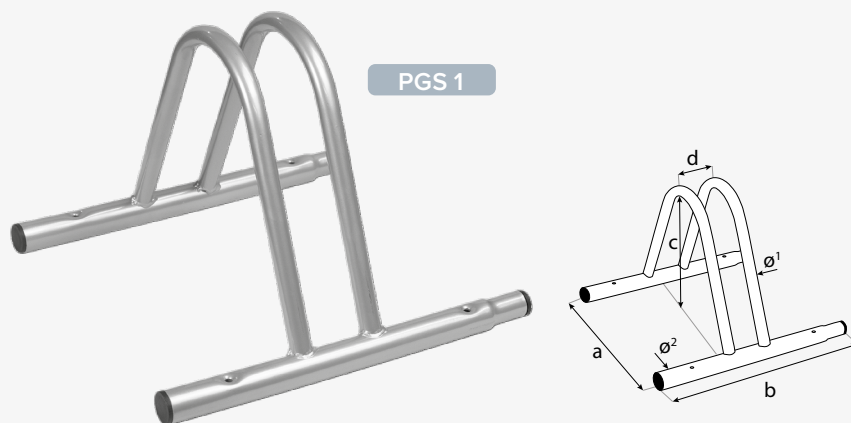
name	coat.	art. no.	dimensions [mm]				hole [mm]		weight [g]	pack. [pcs]
			a	b	c	∅	∅5			
HWS 200	●▼	5836	180	200	280	19,2	2	204	10	

coating:
●▼ powder coated, color: silver + plastic, color: black

Application A versatile bicycle rack with optional modular connection. Pre-drilled holes make it very easy to mount, it can be attached to the wall as well as to the ground. Perfect for outdoor use (made from high-quality, weather-resistant materials), but also for indoor use.

Material Steel electrogalvanized, color: silver; plastic, color: black.

Mounting Different types of walls require different types of fasteners. Always use screws, bolts or dowels designed for the appropriate type of wall. The maximum load of an element always depends on the type of wall, the fixing used and the method of loading.



name	coat.	art. no.	dimensions [mm]						hole [mm]	weight [g]	pack. [pcs]
			a	b	c	d [lwev.]	ø¹	ø²	ø6,5		
PGS 1	●▼	960908	360	380	280	50	20	30	4	1650	8

coating:

●▼ electrogalvanized, color: silver + plastic, color: black

PGS

Bicycle stand



Application Car wheel hooks make an ideal solution for organising space in the garage or basement. It is made of heavy-duty steel and the slightly upward curve ensures that the wheel is stably positioned. The set includes four holders and the necessary wall plugs M6×ø12×70 for mounting into the wall. One holder is designed for one wheel.

Material Steel electrogalvanized, color: silver; plastic, color: black.

Mounting Using the components included in the kit. Maximum load on one hook when properly installed – 40 kg.



name	coat.	art. no.	dimensions [mm]					hole [mm]	weight [g]	pack. [pcs]
			a	b	c	ø	≠	ø12,3		
PGU 1	●▼	960916	350	170	130	38	2,3	16	1650	1

coating:

●▼ electrogalvanized, color: silver + plastic, color: black

PGU

Wall hook for wheels



PGW 1

Multifunction
wall rack

Application A useful adjustable rack with multifunctional use. The depth of the arms allows for the suspension of two bicycles or other accessories (e.g. ladders). The ends of the arms are covered with rubber to protect the stored item. All components required for assembly are included: dowels $\varnothing 8 \times 40$ and screws $\varnothing 5 \times 70$. Self-assembly kit.

Material Powder coated steel, color: black; plastic, color: black.

Mounting Using the components included in the kit.



name	coat.	art. no.	dimensions [mm]			hole [mm]	screws [pcs]	dowels [pcs]	weight [g]	pack. [pcs]
			a	b	c	$\varnothing 6,5$	$\varnothing 5 \times 70$	$\varnothing 8 \times 40$		
PGW 1	●▼	960909	520	510	500	4	4	4	2180	10

coating:

●▼ powder coated, color: black + plastic, color: black

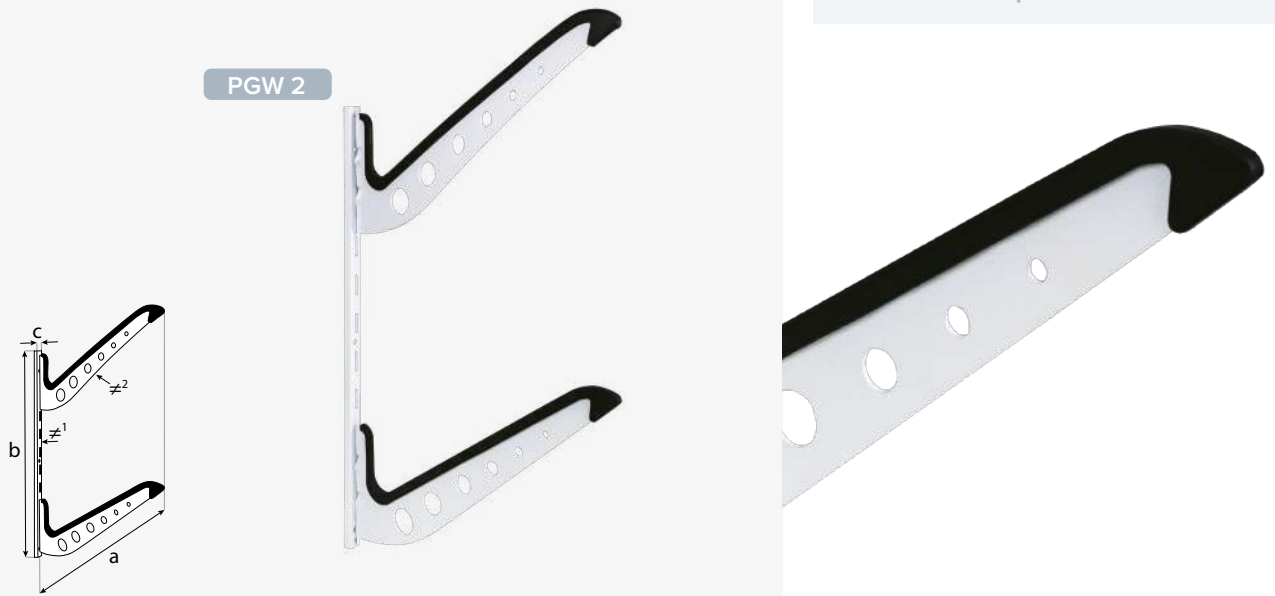


Application Made of powder coated steel and finished with a protective rubber coating, a wall bracket for storing various types of sports boards, such as surfboards, SUP and snowboards. The holder does not take up much space. Perfect not only for the garage or basement, but also for the home due to its aesthetically pleasing design. The set includes two slats, 4 hooks, dowels $\varnothing 8 \times 40$ and screws $\varnothing 5 \times 50$ for fixing in the wall. Self-assembly kit.

Material Powder coated steel, color: white; plastic, color: black.
Mounting Using the components included in the kit.

PGW 2

Multifunctional
garage rack
for sports board



name	coat.	art. no.	dimensions [mm]					hole [mm]	screws [pcs]	dowels [pcs]	weight [g]	pack. [pcs]
			a	b	c	φ ¹	φ ²	φ6,5	φ5×50	φ8×40		
PGW 2	○▼	960920	390	590	21	1,5	3	6	6	6	2600	6

coating:

○▼ powder coated, color: white + plastic, color: black

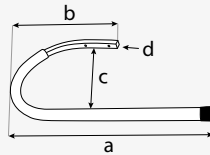


PGW 3

Garage rack
for sports board

Application Rack for mounting under the ceiling, allowing you to suspend the sports board. It allows you to have more free space on the floor or wall, while protecting your equipment from being battered or scratched. The set includes 2 hangers and $\varnothing 8 \times 40$ dowels and $\varnothing 6 \times 70$ screws for fixing in the ceiling.

Material Powder coated steel, color: black; plastic, color: black.
Mounting Using the components included in the kit.



name	coat.	art. no.	dimensions [mm]				hole [mm]	screws [pcs]	dowels [pcs]	weight [g]	pack. [pcs]
			a	b	c	d	$\varnothing 6,5$	$\varnothing 6 \times 70$	$\varnothing 8 \times 40$		
PGW 3	● ▼	960921	660	350	350	$\square 20$	4	4	4	1150	3

coating:
● ▼ powder coated, color: black + plastic, color: black



Application Wall rack for the sports board. A practical solution to help you store your equipment in a safe and organised way. The set includes 2 hangers and $\varnothing 8 \times 40$ dowels and $\varnothing 4.8 \times 90$ screws for fixing in the wall.

Material Powder coated steel, color: black; plastic, color: black.

Mounting Using the components included in the kit.

PGW 4

Garage rack
for sports board



name	coat.	art. no.	dimensions [mm]			hole [mm]	screws [pcs]	dowels [pcs]	weight [g]	pack. [pcs]
			a	b	\varnothing	$\varnothing 6,5$	$\varnothing 4,8 \times 90$	$\varnothing 8 \times 40$		
PGW 4	● ▼	960922	550	310	37	4	4	4	1600	24

coating:

● ▼ powder coated, color: black + plastic, color: black



PGW 5

Garage rack
for sports board

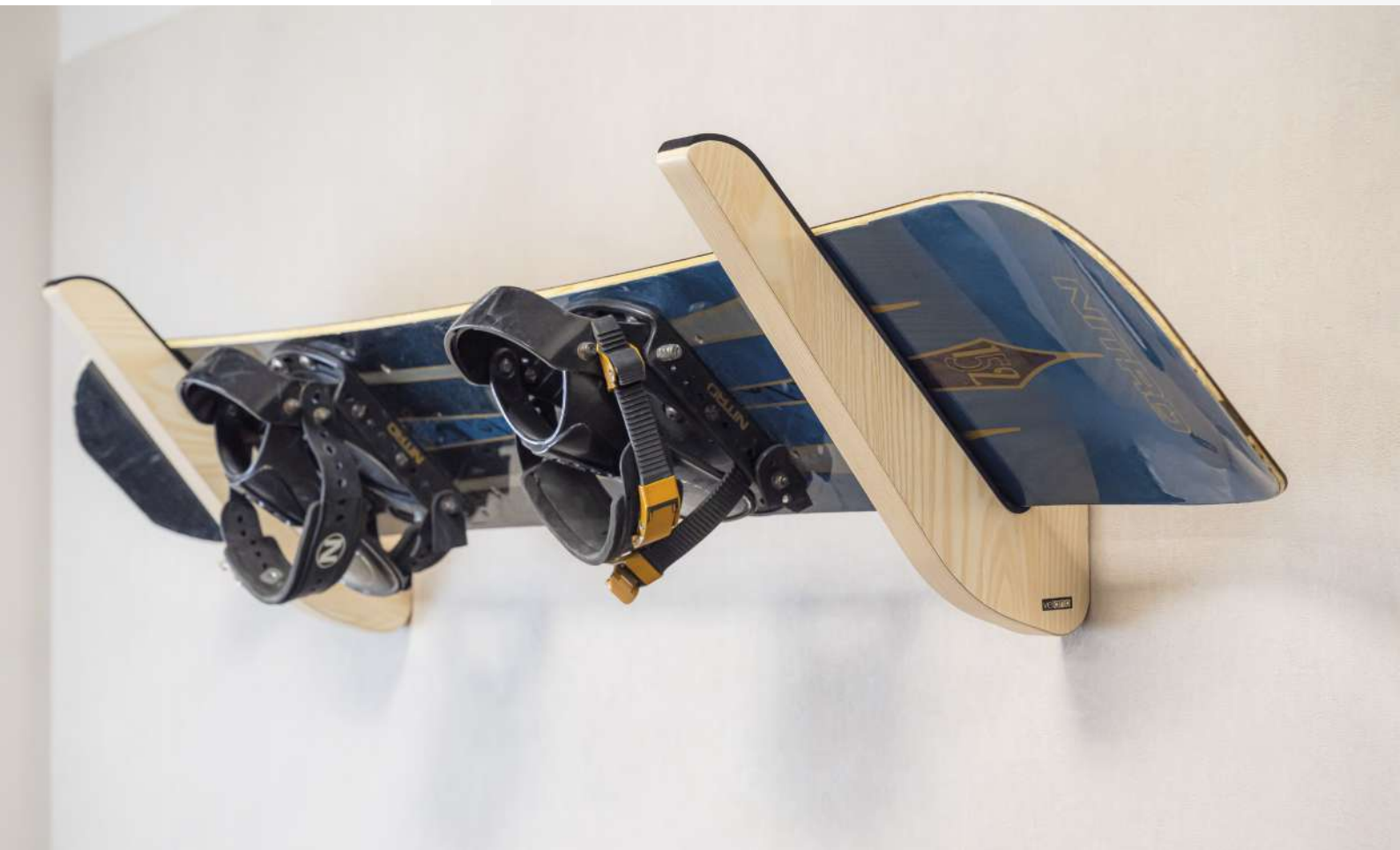
Application Made of wood and finished with a protective rubber coating, the wall rack for sports boards. Practical and elegant, it helps you store your equipment in a safe and organised way. Great not only in the garage or basement, but thanks to its aesthetic appearance even at home. The set includes 2 hangers and $\varnothing 6 \times 40$ dowels and $\varnothing 4 \times 50$ screws for fixing in the wall.

Material Pine wood; plastic, color: black.
Mounting Using the components included in the kit.



name	coat.	art. no.	dimensions [mm]			hole [mm]	screws [pcs]	dowels [pcs]	weight [g]	pack. [pcs]
			a	b	c	$\varnothing 5 / \varnothing 9 \times 17$	$\varnothing 4 \times 50$	$\varnothing 6 \times 40$		
PGW 5	■ ▼	960923	360	215	32	4	4	4	1700	10

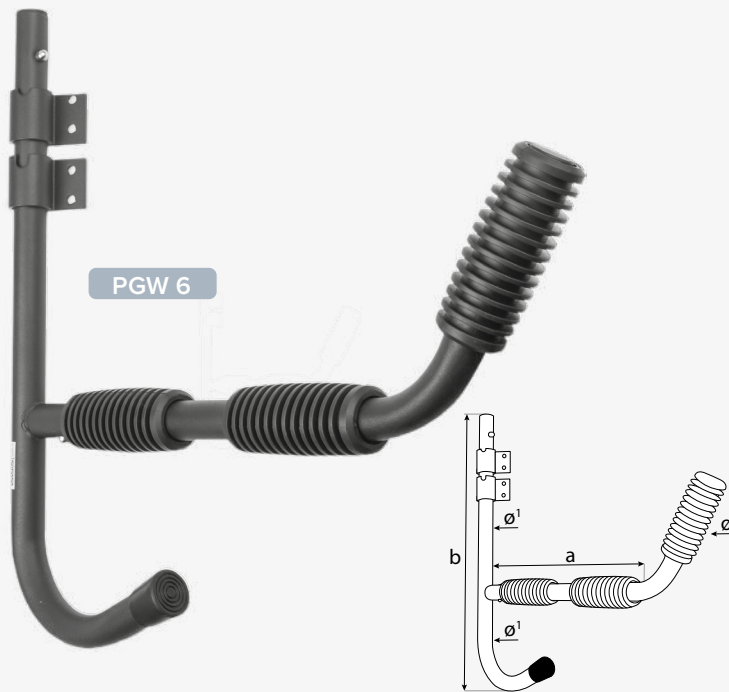
coating:
■ ▼ drewno + plastic, color: black



Application Wall rack for kayak. A practical solution that helps you store your equipment in a safe and organised way. The arms of the holder are finished with a protective rubber pad. The set includes 2 hangers and $\varnothing 8 \times 40$ dowels and $\varnothing 6 \times 40$ screws for mounting in the wall.

Material Powder coated steel, color: black; plastic.

Mounting Using the components included in the kit.



name	coat.	art. no.	dimensions [mm]				hole [mm]	screws [pcs]	dowels [pcs]	weight [g]	pack. [pcs]
			a	b	$\varnothing 1$	$\varnothing 2$	$\varnothing 8$	$\varnothing 6 \times 40$	$\varnothing 8 \times 40$		
PGW 6	●▼	960924	430	420	22,5	38	8	8	8	2100	1

coating:

●▼ powder coated, color: black + plastic, color: black

PGW 6

Garage rack
for kayak



PGR

Bicycle racks

Application

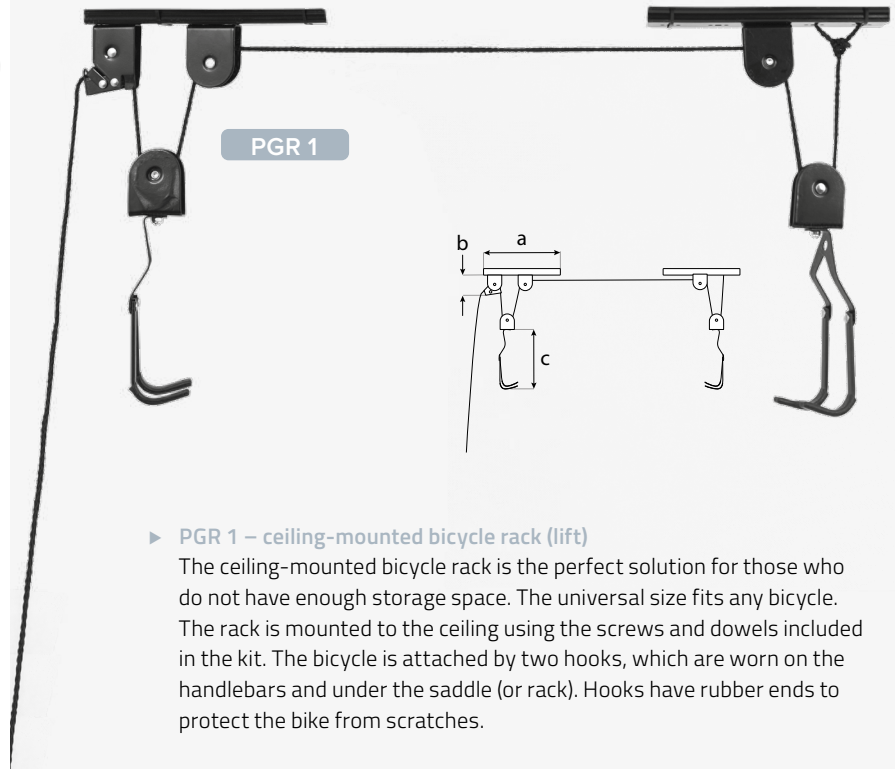
Bicycle racks make efficient use of space, freeing up valuable floor space. Using them is not only a matter of tidiness, but also a matter of convenience, safety and aesthetics in storing bicycles. The wide range of solutions available in the offer makes it possible to find the optimum model for each, even the smallest interior. PGR bicycle racks are available in sets with the necessary dowels and screws for problem-free assembly.

Material

Powder coated steel, color: black or orange; plastic, color: black.

Mounting

Using the components included in the kit.



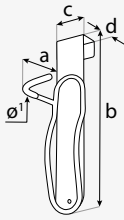
► **PGR 1 – ceiling-mounted bicycle rack (lift)**

The ceiling-mounted bicycle rack is the perfect solution for those who do not have enough storage space. The universal size fits any bicycle. The rack is mounted to the ceiling using the screws and dowels included in the kit. The bicycle is attached by two hooks, which are worn on the handlebars and under the saddle (or rack). Hooks have rubber ends to protect the bike from scratches.





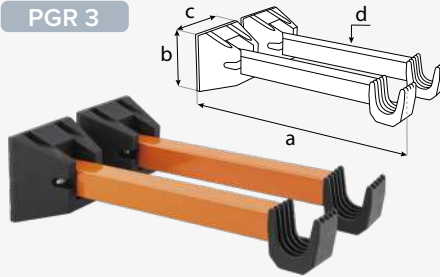
PGR 2



► **PGR 2 – door rack for bicycles**
Bicycle rack for mounting on doors. An alternative to wall hooks, allowing maximum space savings in the room. The bicycle hangs by the rim of the front wheel perpendicular to the door. Universal size fits most bikes. The rack's handle is covered with rubber to protect the wheel rim from scratches.

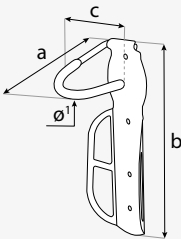
► **PGR 3 – wall-mounted bicycle rack**
Foldable bike rack for mounting on the wall. Thanks to its foldable design, it takes up even less space when it is not in use. The bicycle is hung by the frame parallel to the wall. The handle of the rack is covered with rubber, which protects the frame from scratches.

PGR 3

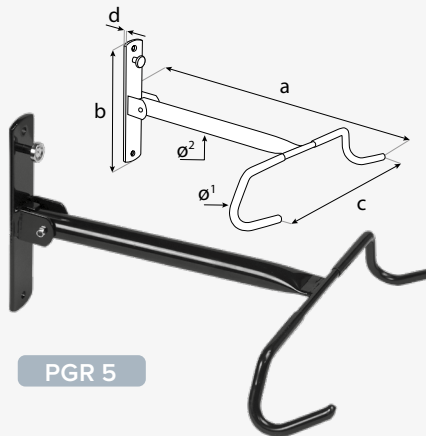


► **PGR 4 – wall-mounted bicycle rack**
Classic bicycle rack for mounting on the wall. The bike hangs by the rim of the front wheel perpendicular to the wall. The universal size fits most bikes. The rack's handle is covered with rubber to protect the wheel rim from scratches.

PGR 4



► **PGR 5 – wall-mounted bicycle rack**
Classic wall-mounted bicycle rack. The bike is hung by the frame parallel to the wall. The universal size fits most bikes. The rack's handle is covered with rubber to protect the frame from scratches.



PGR 5



PGR

Bicycle rack

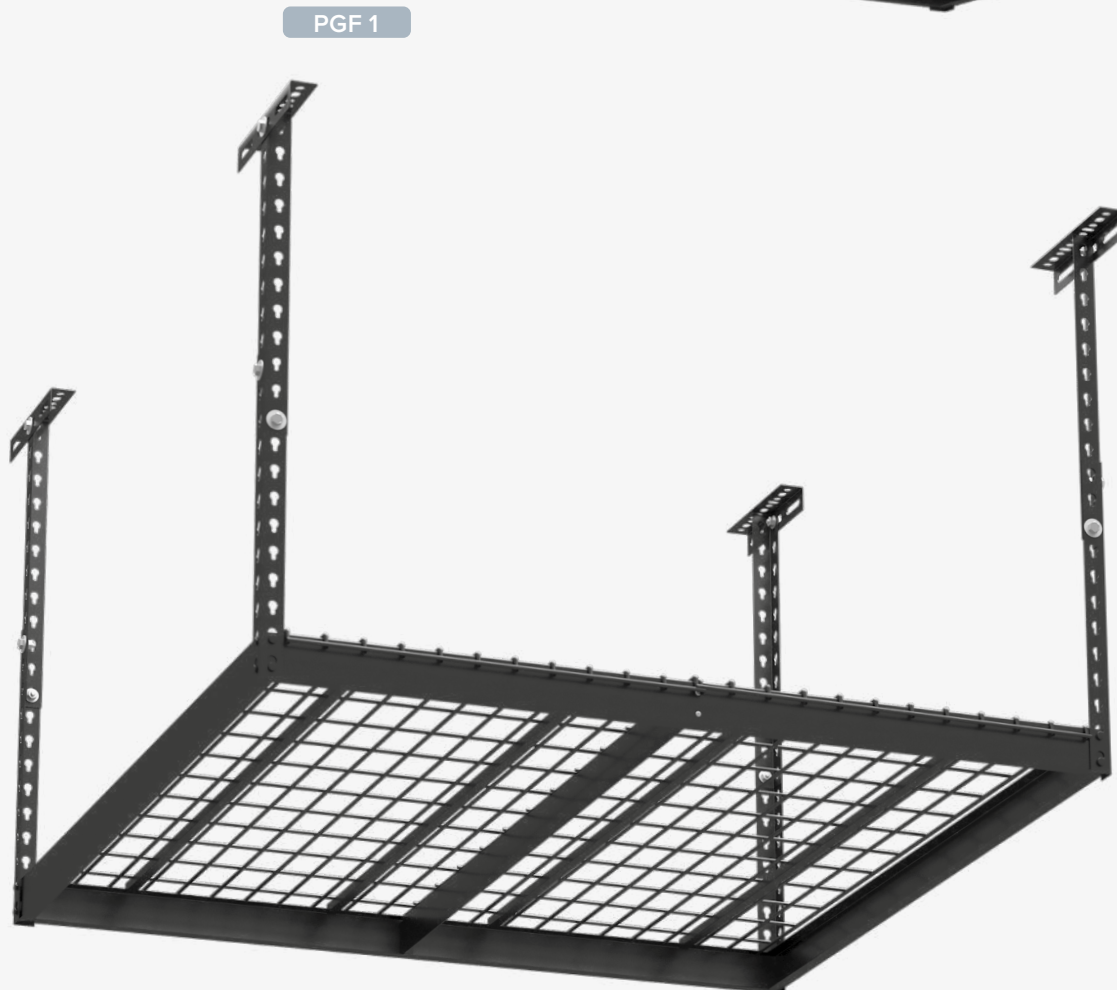
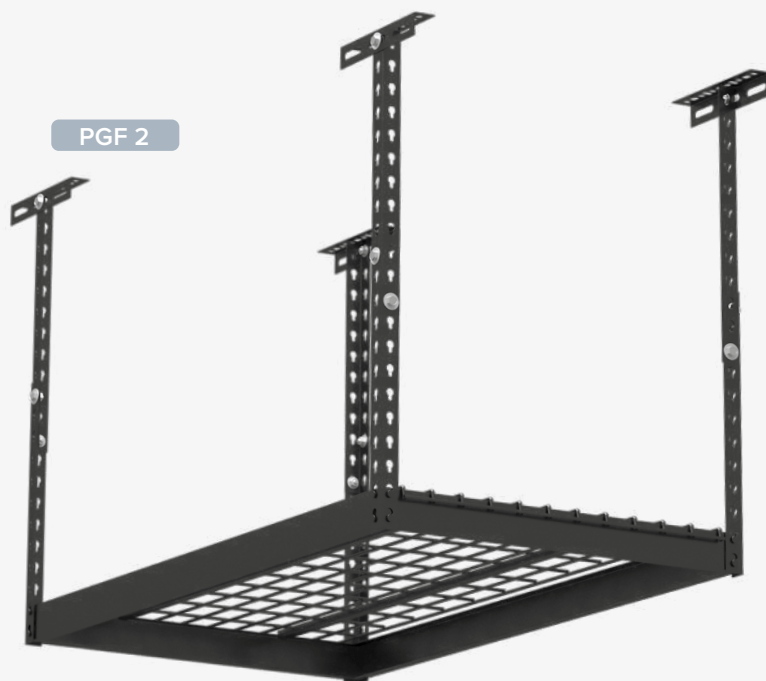
name	coat.	art. no.	dimensions [mm]						holes				screws		dowels [pcs] ø8x40	weight [g]	pack. [pcs]
			a	b	c	d	ø1	ø2	ø1	ø2	ø1	ø2	ø1	ø2			
PGR 1	●▼	960903	250	80	240	–	–	–	ø5	2	ø6	20	ø4,8x40	10	10	1660	10
PGR 2	●▼	960904	130	400	85	45	13,5	–	ø5	1	ø7	1	ø5,3x50	2	–	1560	6
PGR 3	●▼	960905	355	95	95	□30	–	–	ø6	6	–	–	ø5x40	6	6	1140	3
PGR 4	●▼	960906	120	260	110	≠2	11	–	ø6,5	4	–	–	ø5x40	4	4	400	24
PGR 5	●▼	960907	370	200	320	≠5	10,5	25	ø8	2	–	–	ø5x50	2	2	900	10

coating:

- ▼ powder coated, color: black + plastic, color: black
- ▼ powder coated, color: orange + plastic, color: black

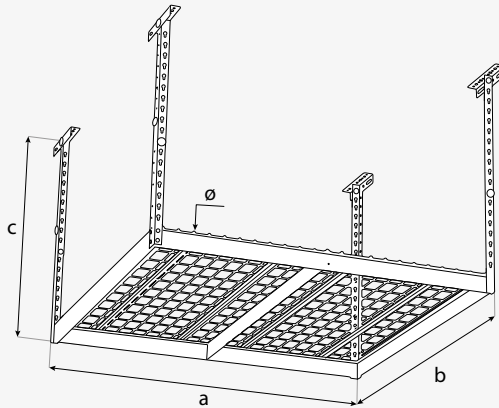
PGF

Ceiling storage
shelf



Application The ceiling-mounted hanging shelf gives you extra storage space in your garage. Easy to mount and the height is adjustable, making it easily customisable. The set includes: installation instructions, spacer sleeves $\varnothing 10 \times 60$ (8 pcs), screws $\varnothing 6 \times 70$ (8 pcs), screw M6 $\times 20$ (12 pcs). Self-assembly kit.

Material Powder coated steel, color: black.
Mounting Using the components included in the kit.



PGF

Metal garage
ceiling shelf



name	coat.	art. no.	dimensions [mm]					holes [mm]	screws [pcs]	expansion dowels [pcs]	bolts (+ nuts + washers) [set]	weight [kg]	pack. [pcs]
			a	b	c	≠	ø						
PGF 1	●	960925	1220	1220	450-900	1,5	5,2	24	8	8	12	16,3	1
PGF 2	●	960928	600	1200	450-900	1,5	5,2	24	8	8	12	9,9	1

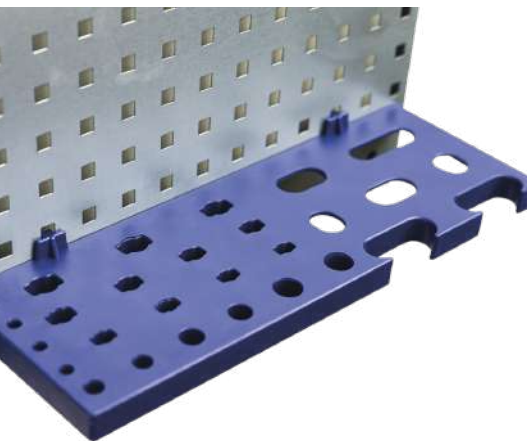
coating:

● powder coated, color: black



PGT 1

Perforated board set



Application

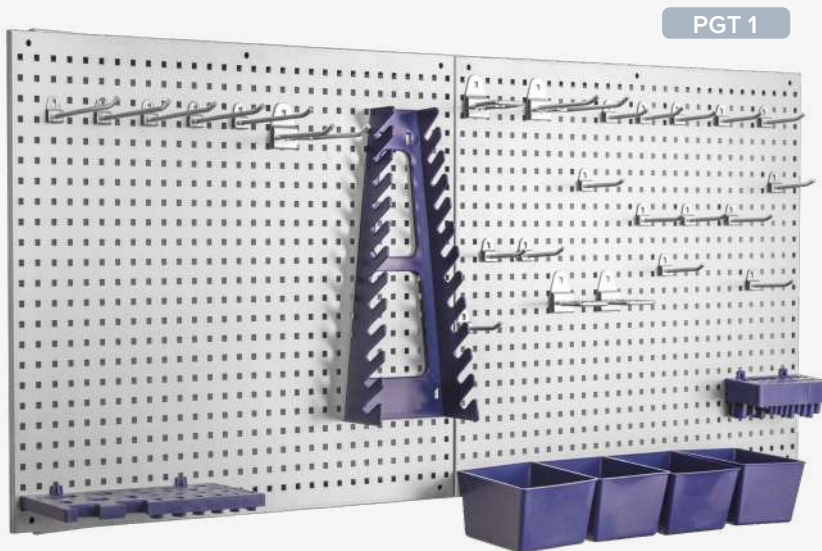
Set including a metal perforated board (hole size $\square 6$ mm) + metal hooks + holders + plastic containers. The board is fully customisable – multiple holes enable you to decide on the arrangement of the tools by yourself. The set consists of 34 elements:

- ▶ 2×bright perforated board (size: 558×458 mm)
- ▶ 15×metal short hooks (size: 45×4,8 mm)
- ▶ 5×long hooks (size: 96×4,8 mm)
- ▶ 2×double hooks (size: 96×4,8 mm)
- ▶ 3×hooks for pliers (size: 45×50×4,8 mm)
- ▶ 4×plastic containers (size: 108×90×70 mm)
- ▶ 1×spanner holder (size: 316×65×135 mm)
- ▶ 1×screwdriver holder (size: 230×80 mm)
- ▶ 1×drill holder (size: 128×45 mm).

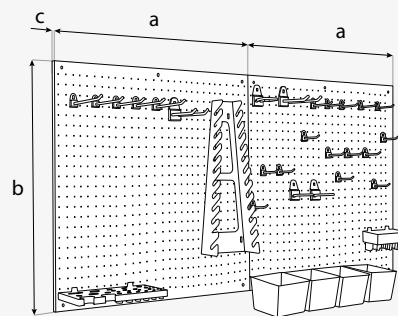
The board is a ready-made product for wall mounting. The plastic containers provide easy access to small accessories. The wide range of hooks and holders for screwdrivers, drills or spanners makes it easy to keep your workshop tidy. The set also includes a set of $\varnothing 4,8 \times 50$ screws (12 pcs) and $\varnothing 6 \times 40$ dowels (12 pcs) for fixing the product on the wall.

Material Mounting

Steel electrogalvanized, color: silver; plastic, color: dark blue.
Using the components included in the kit.



PGT 1



name	coat.	art. no.	dimensions [mm]				holes [mm]		weight [g]	pack. [pcs]
			a	b	c	≠	$\varnothing 6$			
PGT 1	● ▼	960901	558	458	10	0,7	12	4200	5	

coating:

● ▼ electrogalvanized, color: silver; plastic, color: dark blue

Application Set including perforated metal board (hole size $\varnothing 3.5$ mm) + metal hooks + holders + plastic containers. The board is completely customisable – multiple holes enable you to decide the positioning of the tools by yourself.

The set consists of 17 elements:

- ▶ 1×light perforated board (size: 40×40 cm)
- ▶ 1×dark perforated board (size: 40×40 cm)
- ▶ 2×blue plastic containers
- ▶ 1×key holder
- ▶ 1×screwdriver holder
- ▶ 1×universal holder with round holes
- ▶ 6×straight hooks
- ▶ 4×rounded hooks

The board is a ready-made product for wall mounting. The plastic containers give easy access to small accessories. The wide range of hooks and holders for screwdrivers, drills or spanners makes it easy to keep your workshop tidy.

Material Steel electrogalvanized, color: silver; powder coated steel, color: silver; plastic, color: dark blue.

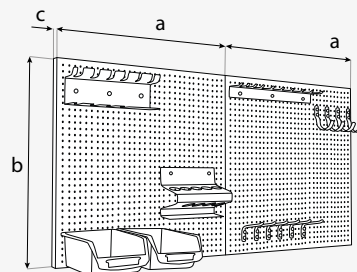
Mounting Different types of walls require different types of fasteners. Always use screws, bolts or dowels designed for the appropriate type of wall. The maximum load of an element always depends on the type of wall, the fixing used and the method of loading. The perforated holes on the board are also used to mount the board on the wall.

PGT 2

Perforated
tool board



PGT 2



name	coat.	art. no.	dimensions [mm]				weight [g]	pack. [pcs]
			a	b	c	≠		
PGT 2	●●▼	960902	400	400	18	1	3500	4

coating:

●●▼ electrogalvanized, color: silver; powder coated, color: silver; plastic, color: dark blue



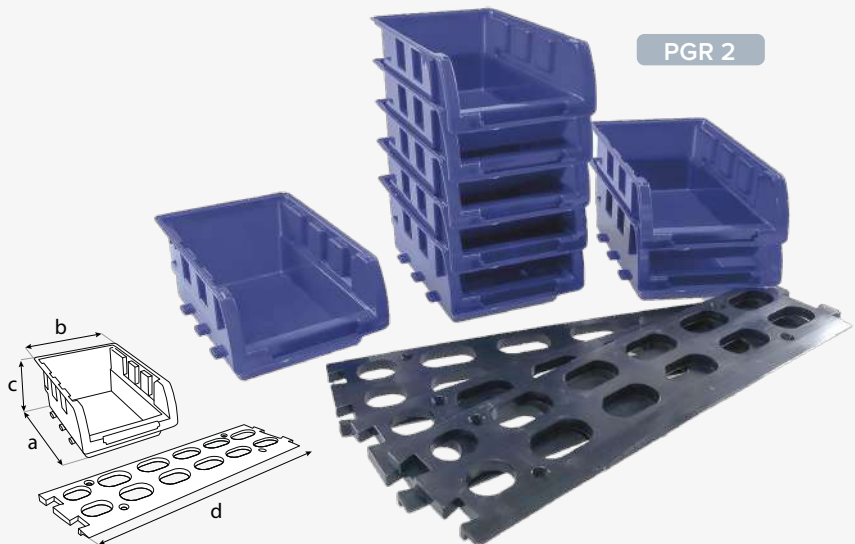
PGP

Workshop containers



Application PGP 2 Workshop Containers with a rail that attaches directly to the wall. A great way to organise your workspace or home workshop. Attaching the containers to the rail allows quick and easy access to the accessories you need. The plastic workshop containers are ideal for storing small items, keeping them clearly separated. The set includes 8 containers and 3 storage rails.

Material Plastic, color: dark blue; plastic, color: black.
Mounting Different types of walls require different types of fasteners. Always use screws, bolts or dowels designed for the appropriate type of wall. The maximum load of an element always depends on the type of wall, the fixing used and the method of loading.



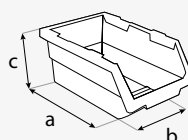
name	coat.	art. no.	dimensions [mm]				set [pcs]	weight [g]	pack. [pcs]
			a	b	c	d			
PGP 2	▼▼	960911	161	105	75	315	8	780	3

coating:
 ▼▼ plastic, color: dark blue + plastic, color: black



Application The PGP 3-5 Workshop Containers make it easy to store efficiently, segregate and have easy access to tools or accessories. The containers are made of durable and resistant plastic. Equipped with a special clip, allowing the individual containers to be securely connected. Available in different sizes for an optimal configuration.

Material Plastic, color: ciemnogray; plastic, color: orange.



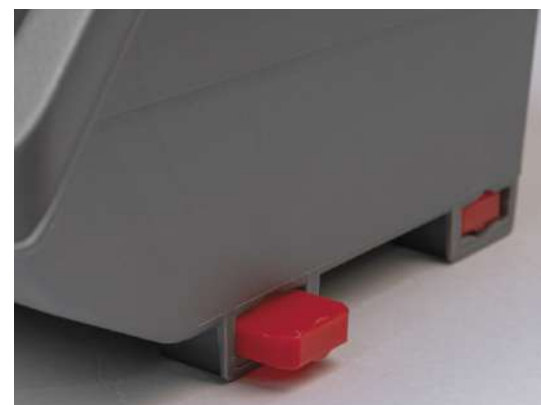
name	coat.	art. no.	dimensions [mm]			set [pcs]	weight [g]	pack. [pcs]
			a	b	c			
PGP 3	▼▼	960912	150	110	90	4	330	18
PGP 4	▼▼	960913	225	155	140	2	360	24
PGP 5	▼▼	960914	315	210	165	1	338	24

coating:

▼▼ plastic, color: ciemnogray + plastic, color: orange

PGP

Workshop containers



UMA

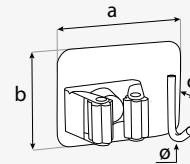
Tool holder

Application Multi-purpose wall mount. Allows to hang any tool with a handle (e.g. shovel, broom, mop). Equipped with a towel or rag hook. Allows you to organise space and maintain order in the garage, utility room or bathroom. Made of stainless steel, which makes it ideal for use in rooms with high humidity. Easy to install, just stick it on with the supplied 3M adhesive tape.

Material Stainless steel; plastic; rubber, color: gray.
Mounting Using the 3M double-sided adhesive tape included in the kit.



UMA 100



name	coat.	art. no.	dimensions [mm]					weight [g]	pack. [pcs]
			a	b	c	≠	ø		
UMA 100	● ▼	542013	85	65	40	0,8	5,5	113	10

coating:

● ▼ stainless steel + plastic; rubber, color: gray



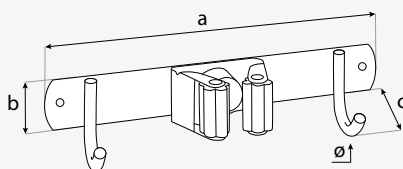
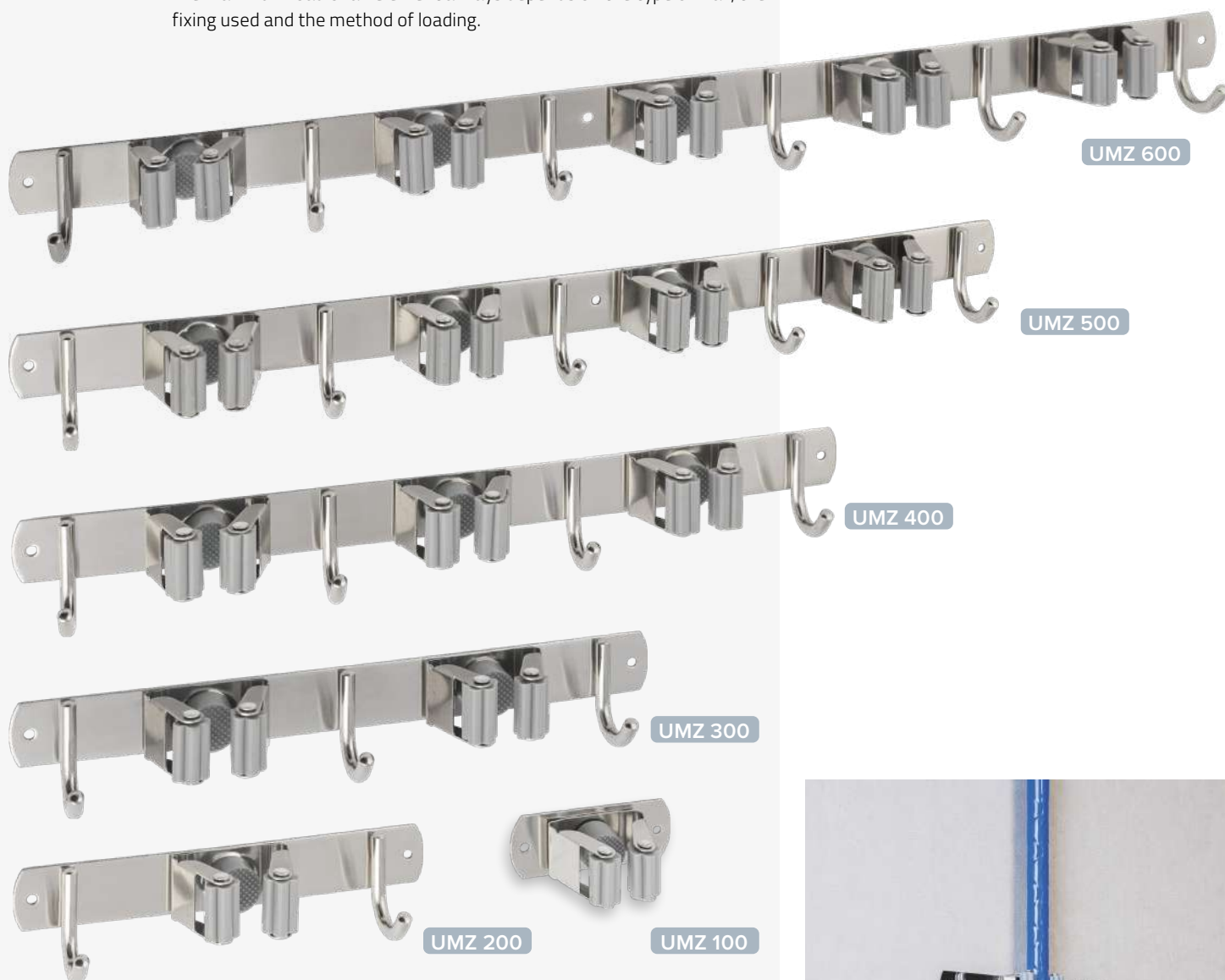
Application Screw-on wall mount. Allows you to hang any tool with a handle (e.g. shovel, broom, mop). In addition, it has a hook (except for the UMZ 100 model) for towels or rags. Makes it possible to organise space and keep order in the garage, utility room or bathroom. Made of stainless steel, it is ideal for use in rooms with high humidity.

Material Stainless steel; plastic; rubber, color: gray.

Mounting Different types of walls require different types of fasteners. Always use screws, bolts or dowels designed for the appropriate type of wall. The maximum load of an element always depends on the type of wall, the fixing used and the method of loading.

UMZ

Tool holder



name	coat.	art. no.	dimensions [mm]					hole [mm]		weight [g]	pack. [pcs]
			a	b	c	≠	ø	ø4,3	ø4,8		
UMZ 100	●▼	542001	90	34	40	1,2	–	–	2	60	10
UMZ 200	●▼	542002	190	29	40	1,8	6,5	2	–	152	10
UMZ 300	●▼	542003	290	29	40	1,8	6,5	2	–	243	10
UMZ 400	●▼	542004	380	29	40	1,8	6,5	2	–	338	10
UMZ 500	●▼	542005	500	29	40	1,8	6,5	3	–	443	10
UMZ 600	●▼	542006	610	29	40	1,8	6,5	3	–	525	10

coating:

●▼ stainless steel + plastic + rubber, color: gray



UMC

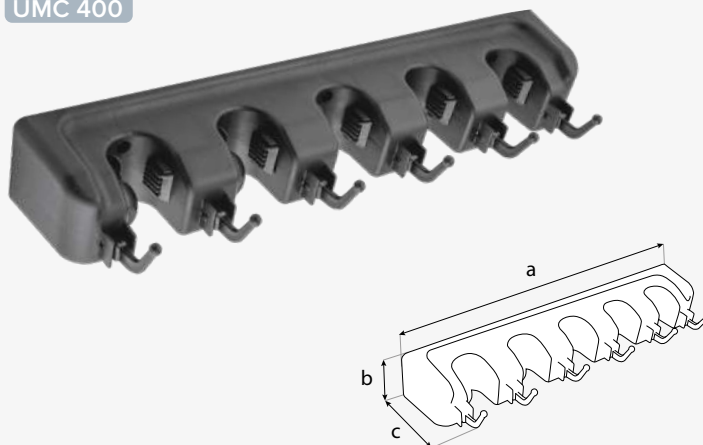
Tool holder

Application The holder is made of polypropylene designed to hold tools with a handle. In addition, equipped with hooks for cleaning accessories or small tools – also serves as a hook. The black colour will fit perfectly in any technical room.

Material Plastic; rubber, color: black.
Mounting Using the components included in the kit.



UMC 400



name	coat.	art. no.	dimensions [mm]				hole [mm]	screws [pcs]	dowels [pcs]	weight [g]	pack. [pcs]
			a	b	c	≠					
UMC 400	▼	542015	405	62	110	2	6	6	6	570	10

coating:
▼ plastic; rubber, color: black

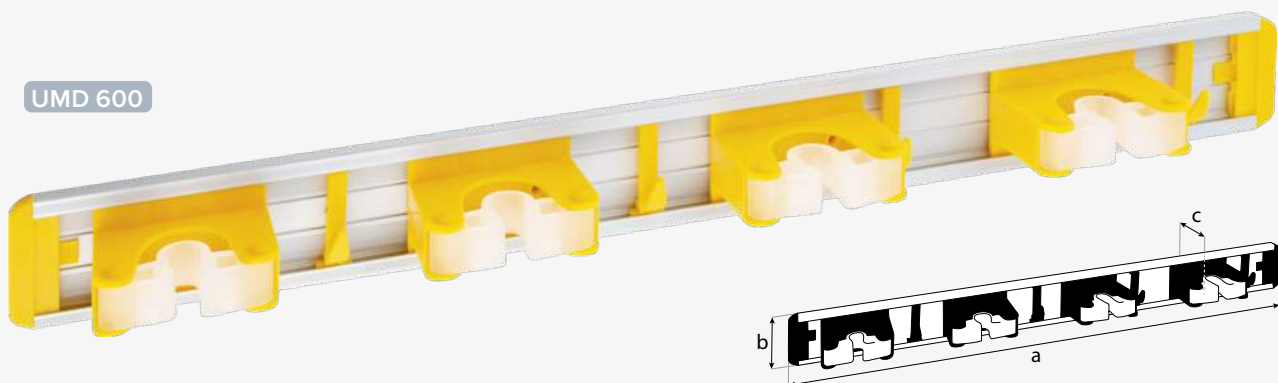
UMD

Tool holder

Application Made of aluminium alloy, the holder is designed to store tools with a handle. In addition, equipped with hooks for cleaning accessories or small tools – also serves as a hook. Ideal for use in any home or garage. Individual handles and hooks of this item are movable, so you can change the spacing between them and adjust their distances to your needs. Available complete with $\phi 6 \times 26$ dowels and $\phi 3,8 \times 25$ screws for mounting in the wall.

Material Aluminium; plastic, color: yellow.
Mounting Using the components included in the kit.

UMD 600



name	coat.	art. no.	dimensions [mm]				hole [mm]	screws [pcs]	dowels [pcs]	weight [g]	pack. [pcs]
			a	b	c	≠					
UMD 600	■ ▼	542016	580	52	55	1	2	2	2	398	10

coating:
■ ▼ aluminium + plastic, color: yellow

Application A practical but elegant garden hose holder. Keeps your garden tidy and protects the hose from tangling, twisting or accidental damage. PGH 1 is mounted to the building wall, PGH 2 is driven into the soil.

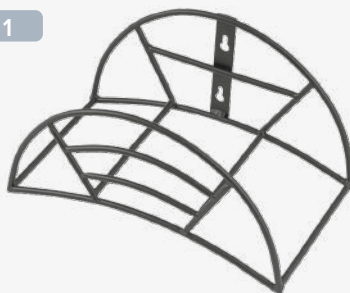
Material Powder coated steel, color: black.

Mounting PGH 1: Different types of walls require different types of fasteners. Always use screws, bolts or dowels designed for the appropriate type of wall. The maximum load of an element always depends on the type of wall, the fixing used and the method of loading. PGH 2: fitted with a special base with three anchoring points, it ensures stable installation in the ground.

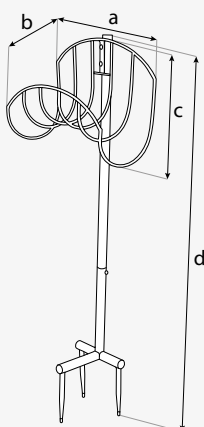
PGH

Garden hose holder

PGH 1



PGH 2



name	coat.	art. no.	dimensions [mm]				holes [mm]			weight [g]	pack. [pcs]
			a	b	c	d	∅	∅5/∅8,5 ×18	∅8,5		
PGH 1	●	960926	280	160	150	–	7	2	–	420	16
PGH 2	●	960927	397	175	280	1043	7	–	2	1050	4

coating:

- powder coated, color: black

UK

Flower pot holder



Application

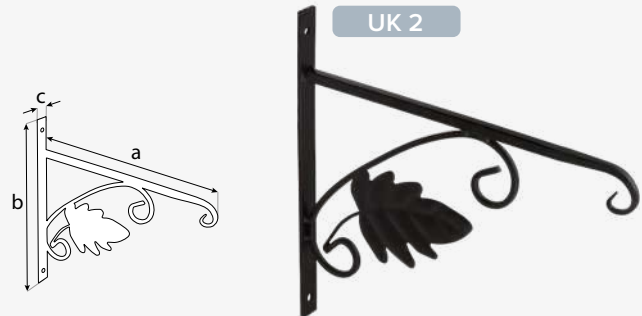
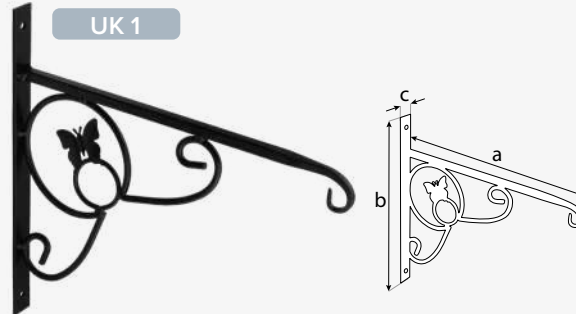
The flowerbed holders are decorative elements that, when mounted to the wall, act as a decorative support for hanging pots or flower baskets. The delicate ornaments give the impression of lightness, but their construction is very sturdy – it will hold large, heavy pots. Available complete with $\varnothing 8 \times 40$ dowels and $\varnothing 4 \times 35$ screws for mounting in the wall.

Material

Powder coated steel, color: black.

Mounting

Using the components included in the kit.



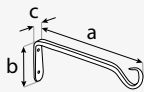
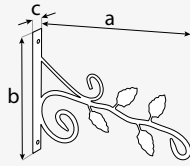
name	coat.	art. no.	dimensions [mm]				hole [mm]		screws [pcs]	dowels [pcs]	weight [g]	pack. [pcs]
			a	b	c	≠	$\varnothing 5$	$\varnothing 6$				
UK 1 Butterfly	●	5421	285	280	20	4	–	2	2	2	525	6
UK 2 Leaf	●	5422	275	280	20	4	–	2	2	2	479	6
UK 3 Bird	●	5423	250	210	20	4	–	2	2	2	361	6
UK 4 Rooster	●	5424	280	300	20	4	–	2	2	2	558	6
UK 5 Leaves	●	5425	320	230	20	4	–	2	2	2	370	6
UK 6 Straight	●	5426	195	75	20	4	2	–	2	2	130	6

coating:

- powder coated, color: black



UK 5

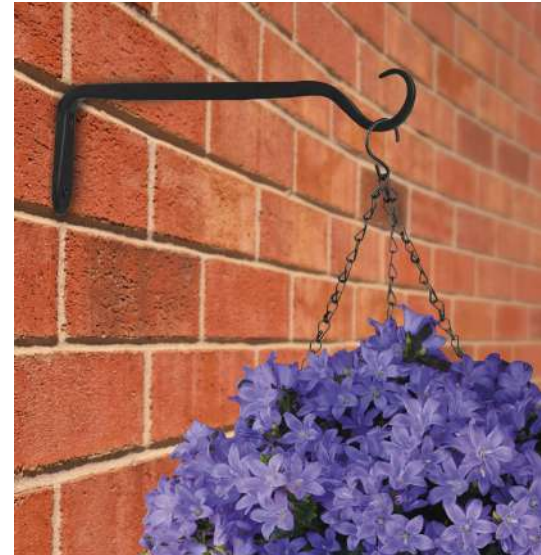


UK 6



UK

Flower pot holder



Application Bamboo fibre flower baskets with foil inner. Act as decorative hanging pots. Perfectly matched with UK flowerbed holders. Great for any garden.

Material Powder coated steel, color: black; coconut fibre padding.

Mounting By hanging from a bracket, tripod, pole or bar. No additional connector required.

KDA

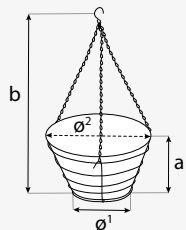
Flower pot hanging basket



KDA 1



KDA 2



name	coat.	art. no.	dimensions [mm]				weight [g]	pack. [pcs]
			a	b	ø¹	ø²		
KDA 1	●★	54301	170	550	150	260	479	8
KDA 2	●★	54302	190	560	200	330	525	8

coating:
●★ powder coated, color: black + wyściółka z włókna kokosowego



domax
home





CLOTHING HOOKS

WUE

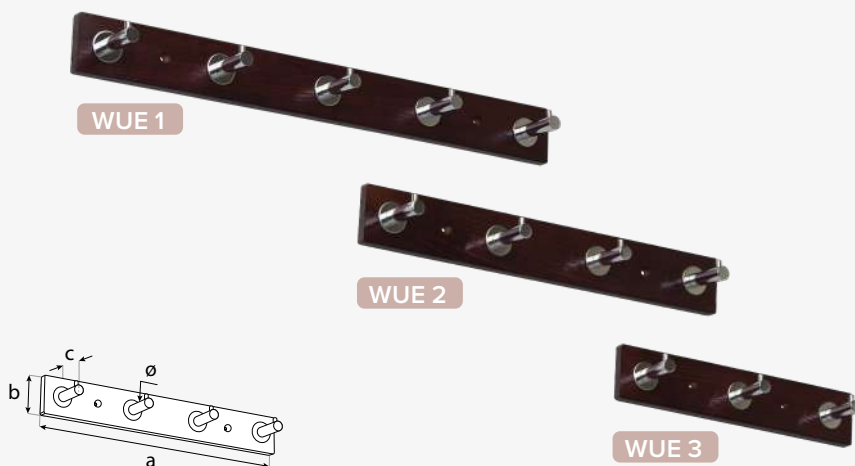
Clothing hook



Application Wall clothing hook. It combines wood with chrome-plated steel. The endings of the individual hooks are designed to protect the stored clothes from slipping off. Great for use in a hallway or dressing room.

Material Base: painted beech wood; handles: steel + chrome.

Mounting Different types of walls require different types of fasteners. Always use screws, bolts or dowels designed for the appropriate type of wall. The maximum load of an element always depends on the type of wall, the fixing used and the method of loading.



name	coat.	art. no.	dimensions [mm]					hole [mm]	weight [g]	pack. [pcs]
			a	b	c	ø	≠	ø4		
WUE 1	■ ■	54441	250	50	50	12	10	2	235	4
WUE 2	■ ■	54442	350	50	50	12	10	2	329	4
WUE 3	■ ■	54443	450	50	50	12	10	2	417	4

coating:
■ ■ base: painted beech wood; handles: chrome

WUF

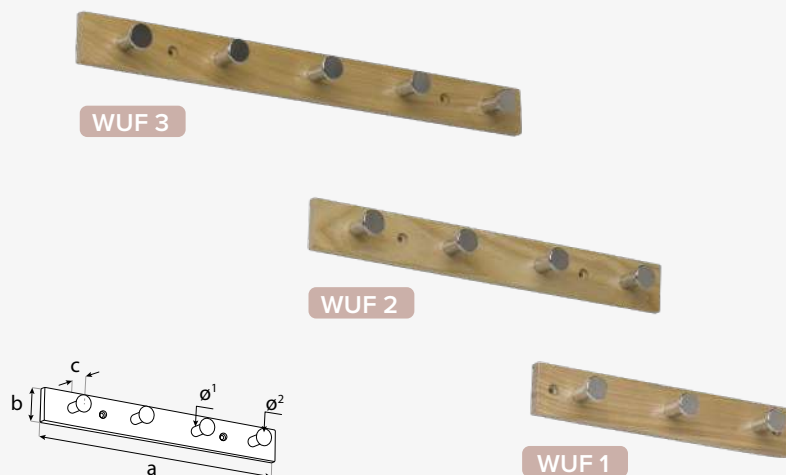
Clothing hook



Application Hook made of light wood with subtle steel handles. Thorough finish and classic design makes it fit into many interior designs.

Material Base: painted beech wood; handles: steel + chrome.

Mounting Different types of walls require different types of fasteners. Always use screws, bolts or dowels designed for the appropriate type of wall. The maximum load of an element always depends on the type of wall, the fixing used and the method of loading.



name	coat.	art. no.	dimensions [mm]					hole [mm]	weight [g]	pack. [pcs]	
			a	b	c	ø1	ø2	≠			ø4
WUF 1	■ ■	54451	240	40	37	12	20	9,5	2	180	4
WUF 2	■ ■	54452	325	40	37	12	20	9,5	2	225	4
WUF 3	■ ■	54453	410	40	37	12	20	9,5	2	295	4

coating:
■ ■ base: painted beech wood; handles: chrome

Application Wooden hook with rounded edges. Subtle, cone-shaped handles made of elegant plastic protect the stored clothes from slipping.

Material Base: painted beech wood; handles: plastic, color: gold.

Mounting Different types of walls require different types of fasteners. Always use screws, bolts or dowels designed for the appropriate type of wall. The maximum load of an element always depends on the type of wall, the fixing used and the method of loading.



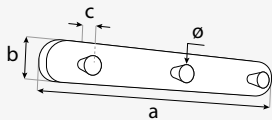
WUW 1



WUW 2



WUW 3



name	coat.	art. no.	dimensions [mm]					hole [mm]	weight [g]	pack. [pcs]
			a	b	c	ø	#			
WUW 1	■▼	543721	200	45	45	20,5	20	2	150	4
WUW 2	■▼	543722	320	45	45	20,5	20	2	220	4
WUW 3	■▼	543723	440	45	45	20,5	20	2	300	4

coating:

■▼ base: painted beech wood; handles: plastic, color: gold

WUW

Clothing hook



WUC

Clothing hook



- Application** Hooks of elegant form with wooden base and double steel hooks. The classic design will work well in both home hallway and office.
- Material** Base: painted beech wood; handles: powder coated steel, color: silver (satin).
- Mounting** Different types of walls require different types of fasteners. Always use screws, bolts or dowels designed for the appropriate type of wall. The maximum load of an element always depends on the type of wall, the fixing used and the method of loading.



name	coat.	art. no.	dimensions [mm]				hole [mm]	weight [g]	pack. [pcs]
			a	b	c	≠	ø4		
WUC 1	■●	54421	315	60	70	12	2	517	4
WUC 2	■●	54422	535	60	70	12	2	873	4

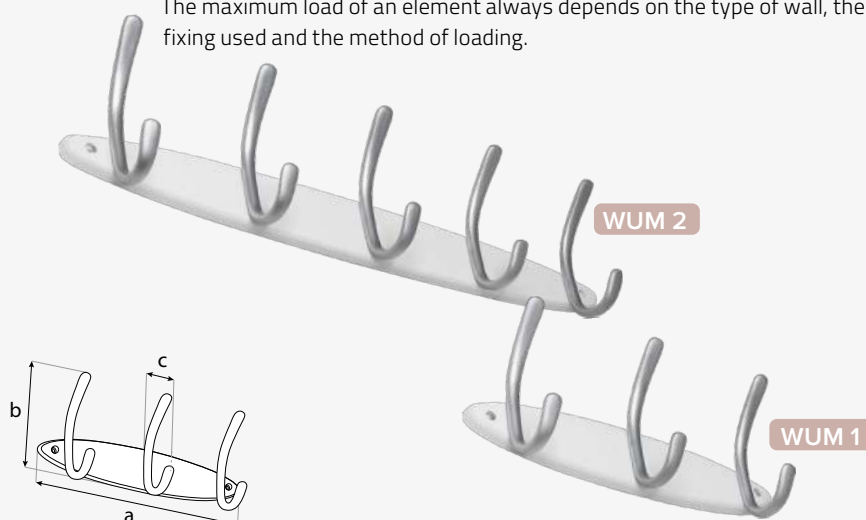
coating:
 ■● base: painted beech wood; handles: powder coated, color: silver (satin)

WUM

Clothing hook



- Application** Hooks of elegant form with white painted wooden base and double steel hooks. The modern design, inspired by Scandinavian style, attracts the eye and allows you to organize your outer garments with four or three handles (depending on the model).
- Material** Base: painted beech wood; handles: powder coated steel, color: silver (satin).
- Mounting** Different types of walls require different types of fasteners. Always use screws, bolts or dowels designed for the appropriate type of wall. The maximum load of an element always depends on the type of wall, the fixing used and the method of loading.



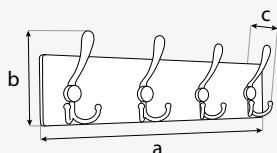
name	coat.	art. no.	dimensions [mm]				hole [mm]	weight [g]	pack. [pcs]
			a	b	c	≠	ø4		
WUM 1	□●	54331	320	130	70	11,5	2	517	4
WUM 2	□●	54332	540	130	70	11,5	2	873	4

coating:
 □● base: painted beech wood, color: white; handles: powder coated, color: silver (satin)

Application Provence style steel hook will help organize jackets and coats in the hallway or waiting room, but also works well as a holder for towels and bathrobes in the bathroom.

Material Base: pine wood malowane; handles: powder coated steel, color: black.

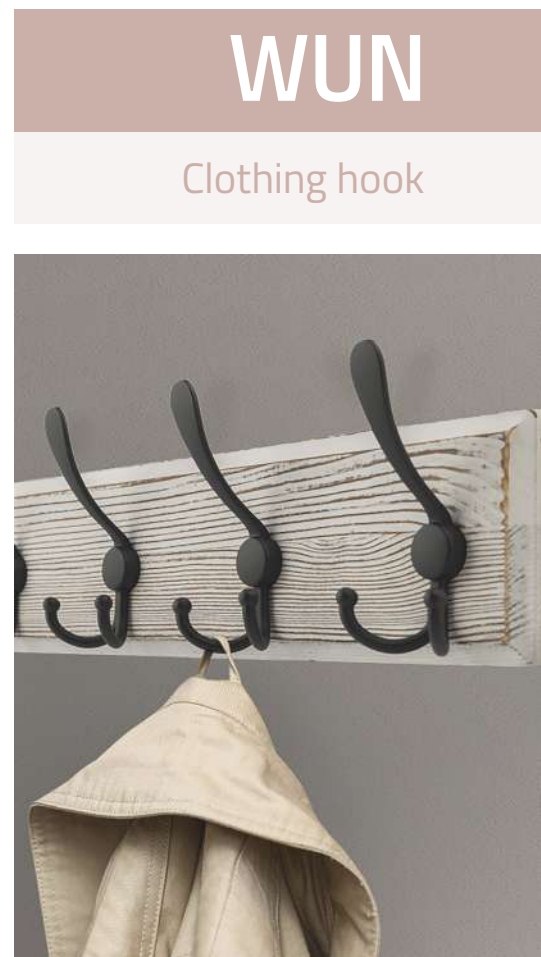
Mounting Different types of walls require different types of fasteners. Always use screws, bolts or dowels designed for the appropriate type of wall. The maximum load of an element always depends on the type of wall, the fixing used and the method of loading.



name	coat.	art. no.	dimensions [mm]				hole [mm]	weight [g]	pack. [pcs]
			a	b	c	≠			
WUN 2	□ ●	54362	430	135	70	20,5	∅4/8x13	800	2

coating:

□ ● base: pine wood malowane; handles: powder coated, color: black



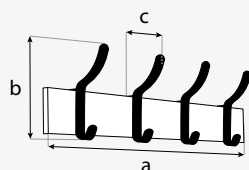
WUN

Clothing hook

Application Combining classic and modern, this elegant hook has a minimalist design. It will perfectly blend into the space of a hallway, kitchen or bathroom.

Material Base: pine wood malowane; handles: powder coated steel, color: black.

Mounting Different types of walls require different types of fasteners. Always use screws, bolts or dowels designed for the appropriate type of wall. The maximum load of an element always depends on the type of wall, the fixing used and the method of loading.



name	coat.	art. no.	dimensions [mm]				weight [g]	pack. [pcs]
			a	b	c	≠		
WUS 1	■ ●	543716	420	125	61	9,5	330	3

coating:

■ ● base: pine wood malowane; handles: powder coated, color: black



WUS

Clothing hook

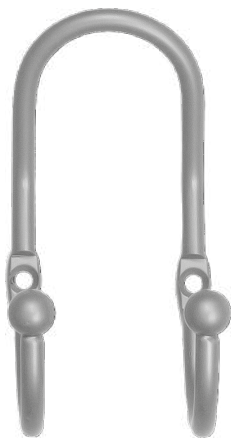
WUA

Clothing hook

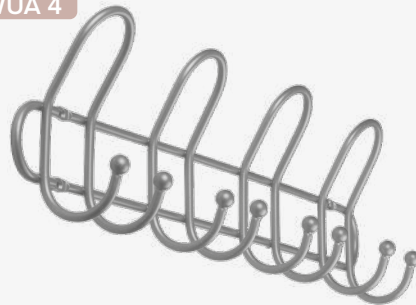
Application Steel hooks with a matte finish will help to organize jackets and coats in the hallway or waiting room, but will also work well as towel and bathrobe holders in the bathroom.

Material Powder coated steel, color: chrome (satin).

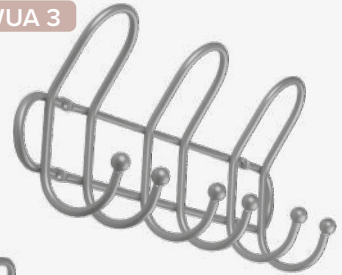
Mounting Different types of walls require different types of fasteners. Always use screws, bolts or dowels designed for the appropriate type of wall. The maximum load of an element always depends on the type of wall, the fixing used and the method of loading.



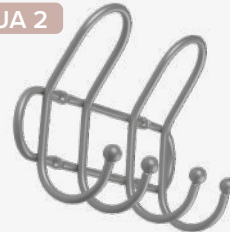
WUA 4



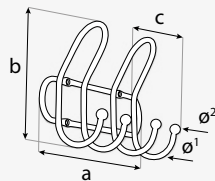
WUA 3



WUA 2



WUA 1



name	coat.	art. no.	dimensions [mm]					hole [mm]		weight [g]	pack. [pcs]
			a	b	c	ϕ^1	ϕ^2	ϕ^1, ϕ^2			
WUA 1	●	54401	50	110	55	6,2	12	2	95	4	
WUA 2	●	54402	240	140	70	6,2	12	4	357	4	
WUA 3	●	54403	390	140	70	6,2	12	4	529	4	
WUA 4	●	54404	550	140	70	6,2	12	4	719	4	

coating:

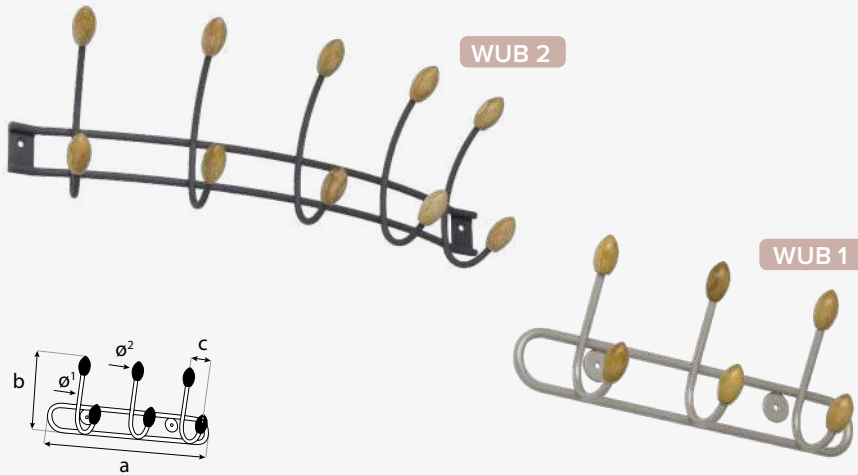
● powder coated, color: chrome (satin)



Application Steel hooks with decorative wooden hook ends to keep stored clothing or towels from slipping off.

Material Powder coated steel, color: silver; handle finish: beech wood.

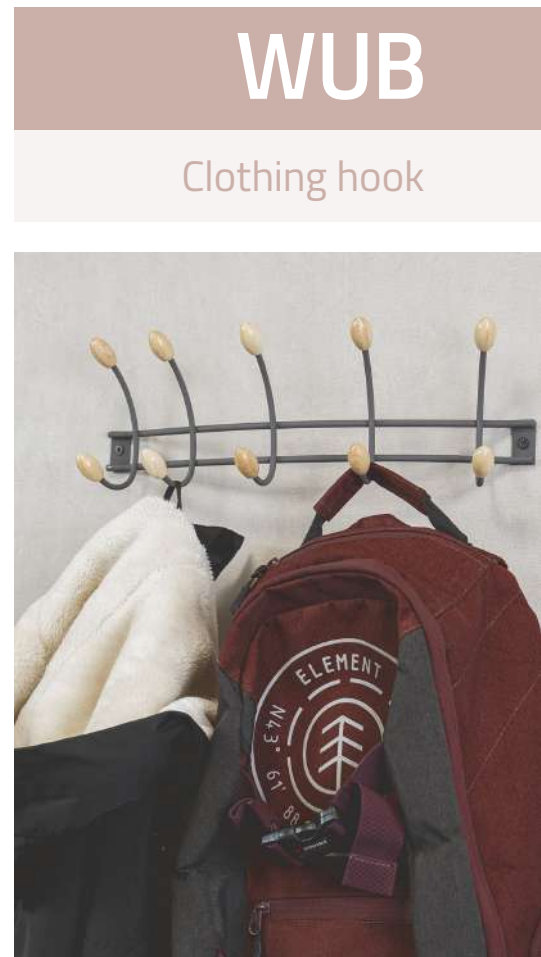
Mounting Different types of walls require different types of fasteners. Always use screws, bolts or dowels designed for the appropriate type of wall. The maximum load of an element always depends on the type of wall, the fixing used and the method of loading.



name	coat.	art. no.	dimensions [mm]						hole [mm]		weight [g]	pack. [pcs]
			a	b	c	ø1	ø2	≠	ø4,8			
WUB 1	● ■	54411	300	140	70	6,5	18	2,0	2	366	4	
WUB 2	● ■	54412	410	140	130	5	18	2,3	2	423	4	

coating:

● ■ powder coated, color: silver; handle finish: beech wood



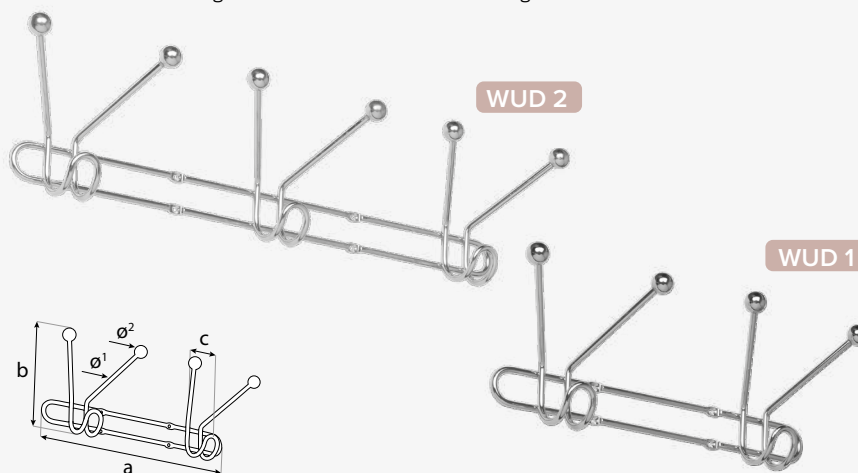
WUB

Clothing hook

Application Chromed hooks with globe-shaped endings. They perfectly perform their storage function and at the same time look sensational on the wall of a hallway, lobby, dressing room or waiting room. Steel made hooks can be successfully used in bathrooms and other wet rooms.

Material Steel + chrome.

Mounting Different types of walls require different types of fasteners. Always use screws, bolts or dowels designed for the appropriate type of wall. The maximum load of an element always depends on the type of wall, the fixing used and the method of loading.



name	coat.	art. no.	dimensions [mm]						hole [mm]		weight [g]	pack. [pcs]
			a	b	c	ø1	ø2	ø4,5				
WUD 1	■	54431	325	140	55	6	19	4	479	4		
WUD 2	■	54432	510	140	60	6	19	4	721	4		

coating:

■ chrome



WUD

Clothing hook

WUH

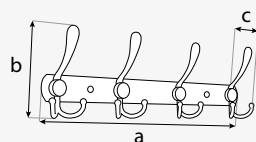
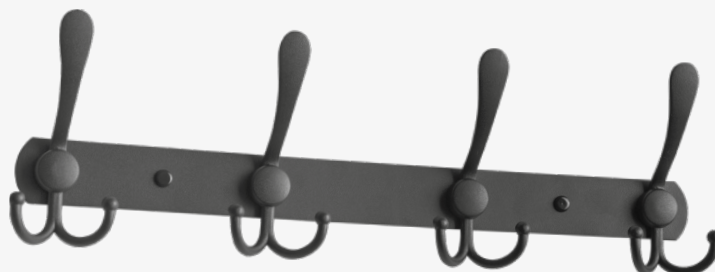
Clothing hook



Application Decorative black hook with soft rounded sides of the base. It will perfectly fit into any interior, and the bold ends of the triple hooks will ensure that your clothes will not slip off.

Material Powder coated steel, color: black.

Mounting Different types of walls require different types of fasteners. Always use screws, bolts or dowels designed for the appropriate type of wall. The maximum load of an element always depends on the type of wall, the fixing used and the method of loading.



WUH 2

name	coat.	art. no.	dimensions [mm]				hole [mm]	weight [g]	pack. [pcs]
			a	b	c	≠			
WUH 2	●	54342	410	120	50	1,8	2	475	2

coating:

● powder coated, color: black

WUI

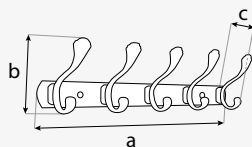
Clothing hook



Application Black hook with ornamentally finished double hooks. It is not only a convenient item to store your clothes, but also an extremely elegant decorative element.

Material Powder coated steel, color: black.

Mounting Different types of walls require different types of fasteners. Always use screws, bolts or dowels designed for the appropriate type of wall. The maximum load of an element always depends on the type of wall, the fixing used and the method of loading.



WUI 2

name	coat.	art. no.	dimensions [mm]				hole [mm]	weight [g]	pack. [pcs]
			a	b	c	≠			
WUI 2	●	54352	410	100	85	1,8	2	475	2

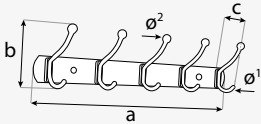
coating:

● powder coated, color: black

- Application** Black painted steel hook with a subtle design. Five double hooks will provide excellent storage space, whether it's jackets or coats, hats or scarves.
- Material** Powder coated steel, color: black.
- Mounting** Different types of walls require different types of fasteners. Always use screws, bolts or dowels designed for the appropriate type of wall. The maximum load of an element always depends on the type of wall, the fixing used and the method of loading.



WUP 1



name	coat.	art. no.	dimensions [mm]						hole [mm]	weight [g]	pack. [pcs]
			a	b	c	φ1	φ2	φ	φ4,8		
WUP 1	●	543711	410	90	60	6,5	13	2	4	385	2

coating:

- powder coated, color: black

WUP

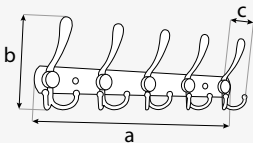
Clothing hook



- Application** Stylish hook with five triple hooks. The color of antique gold, which was used to finish the detail, will fit perfectly into both modern interiors and classic spaces.
- Material** Painted steel, color: antique gold.
- Mounting** Different types of walls require different types of fasteners. Always use screws, bolts or dowels designed for the appropriate type of wall. The maximum load of an element always depends on the type of wall, the fixing used and the method of loading.



WUR 1



name	coat.	art. no.	dimensions [mm]					hole [mm]	weight [g]	pack. [pcs]
			a	b	c	φ	φ4,8			
WUR 1	●	543712	410	125	55	1,8	2	385	2	

coating:

- painted steel, color: antique gold

WUR

Clothing hook



WUO

Clothing hook

Application Practical steel hooks with an openwork container for storing trinkets. They are a perfect addition to the arrangement of both the hallway and the bathroom.

Material Powder coated steel, color: white; powder coated steel, color: black; handle finish: pine wood.

Mounting Different types of walls require different types of fasteners. Always use screws, bolts or dowels designed for the appropriate type of wall. The maximum load of an element always depends on the type of wall, the fixing used and the method of loading.



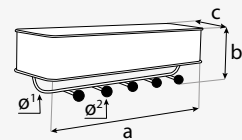
WUO 1



WUO 1



WUO 2



name	coat.	art. no.	dimensions [mm]							hole [mm]		weight [g]	pack. [pcs]
			a	b	c	ø1	ø2	ø3	ø4	ø5/10×13	ø5/7×15		
WUO 1	○ ■	543713	320	90	95	4,2	14,5	-	1	2	-	385	1
	● ■	543714	320	90	95	4,2	14,5	-	1	2	-	385	1
WUO 2	● ■	543715	350	165	120	4,8	24	2,3	-	-	2	450	4

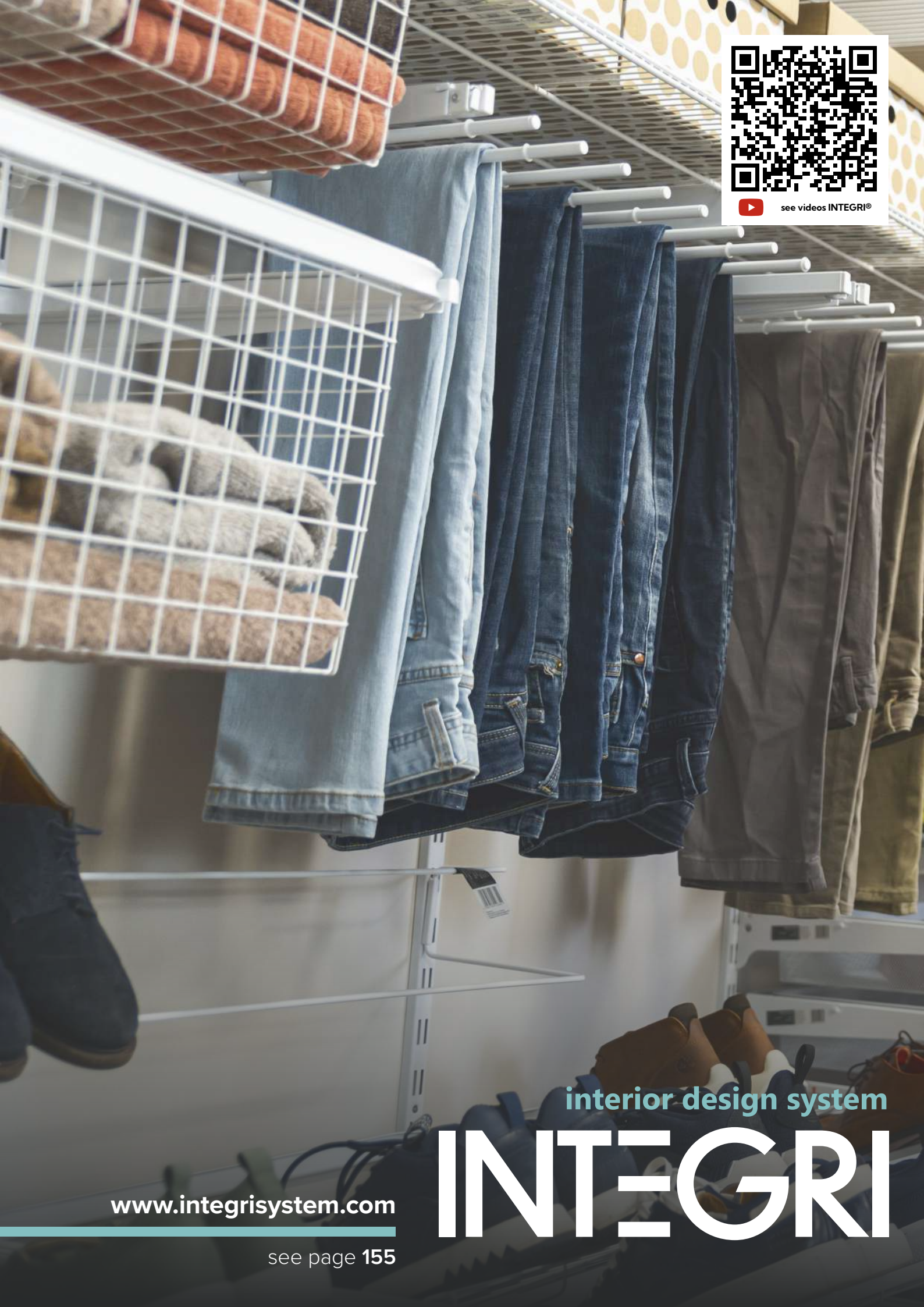
coating:

- ■ powder coated, color: white; handle finish: pine wood
- ■ powder coated, color: black; handle finish: pine wood





see videos INTEGRi®



www.integrisystem.com

see page 155

interior design system
INTEGRi

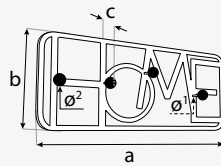
WUY

Clothing hook

- Application** Modern hook, which will give each room a cozy and individual character. It will work well in the hallway, as well as in the room of teenagers, making it easier to keep things in order.
- Material** Powder coated steel, color: black; handle finish: beech wood.
- Mounting** Different types of walls require different types of fasteners. Always use screws, bolts or dowels designed for the appropriate type of wall. The maximum load of an element always depends on the type of wall, the fixing used and the method of loading.



WUY 1



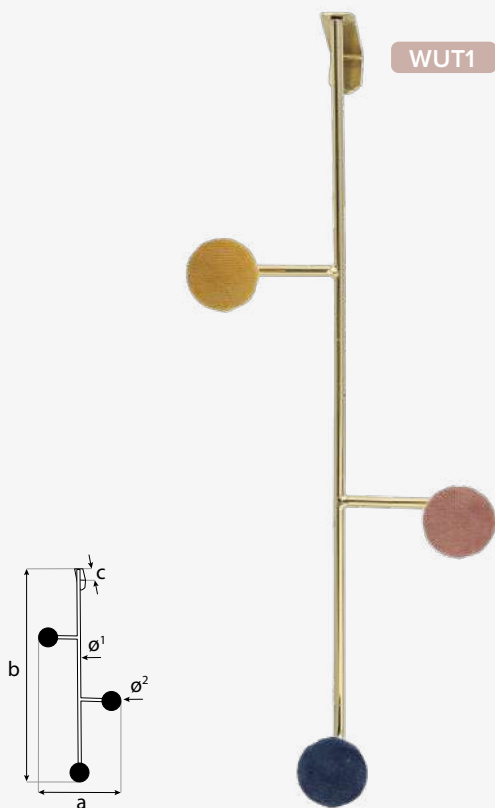
name	coat.	art. no.	dimensions [mm]						weight [g]	pack. [pcs]
			a	b	c	∅	∅1	∅2		
WUY 1	● ■	543718	500	200	50	1,8	5	24	430	4

coating:

● ■ powder coated, color: black; handle finish: beech wood



- Application** An ornamental hook that hangs on the door. Its intriguing shape makes it not only an item for storing clothes or bags, but also a decorative detail on its own.
- Material** Steel electrogalvanized, color: yellow; handle finish: fabric, color: yellow, salmon, dark blue.
- Mounting** To hang on the upper edge of the door.



name	coat.	art. no.	dimensions [mm]						weight [g]	pack. [pcs]
			a	b	c [wew.]	ø1	ø2	≠		
WUT 1	●	543717	130	330	48	5	28,5	2,2	120	4

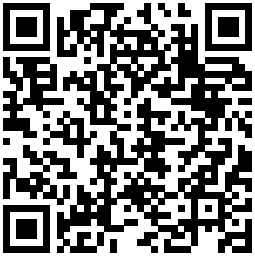
coating:

● ★ electrogalvanized, color: yellow; handle finish: fabric, color: yellow, salmon, dark blue

WUT

Clothing hook





see videos INTEGRi®

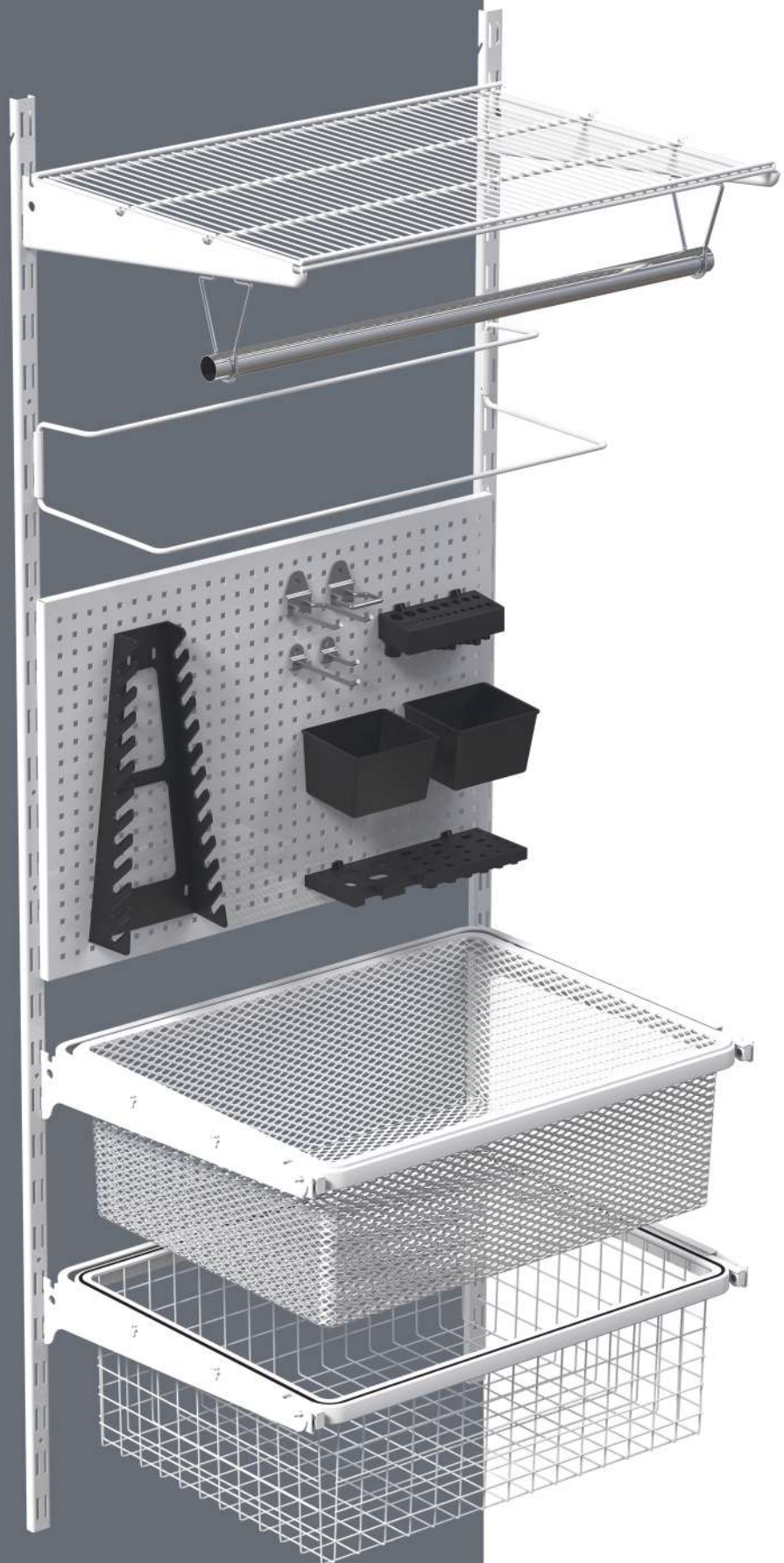


interior design system

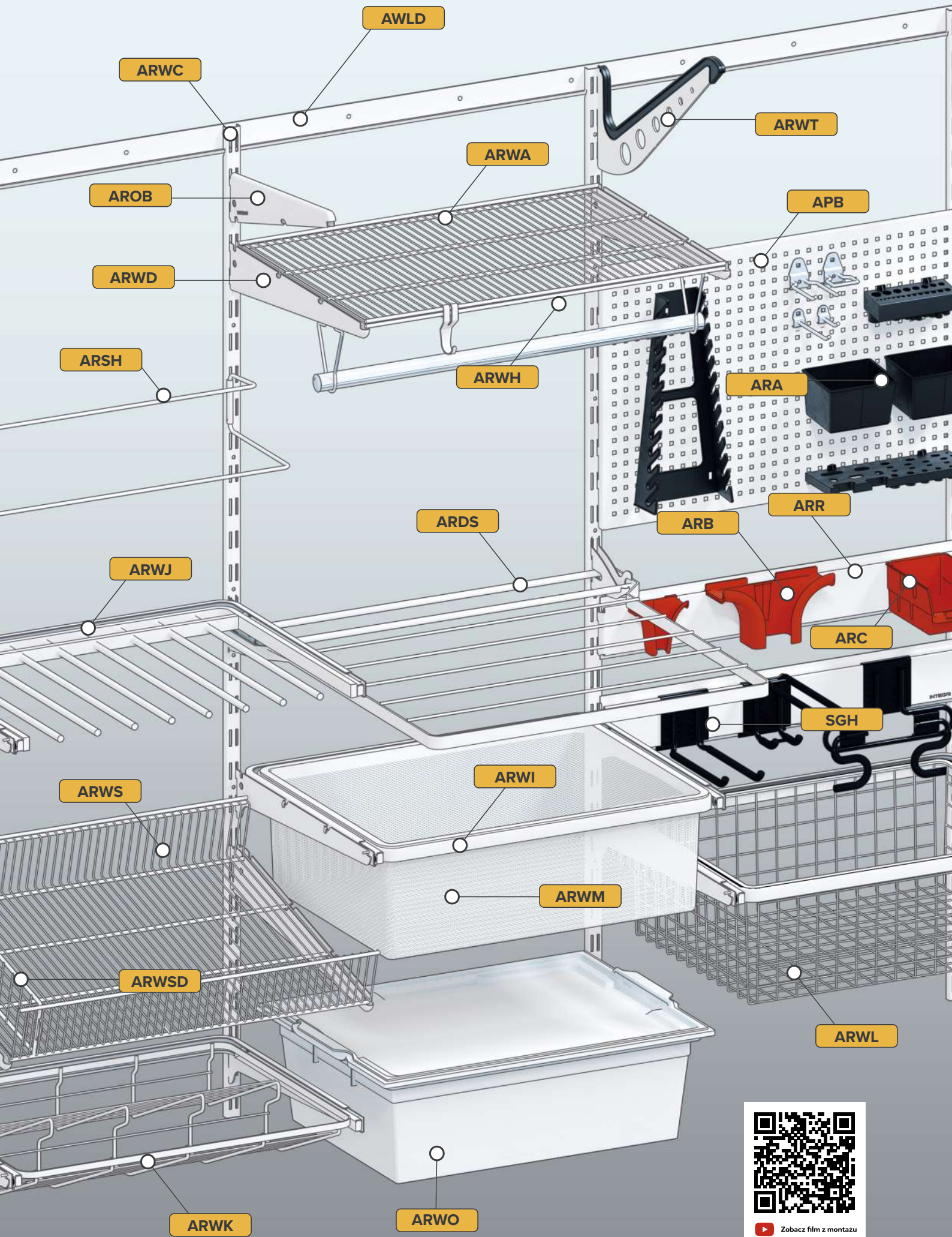
INTEGRi

www.integrisystem.com

INTEGRI

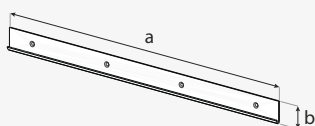


INTERIOR
DESIGN SYSTEM



Zobacz film z montażu

Application	A basic component of the hanging system, it allows the hang standards to be evenly spaced.
Material	Powder coated steel, color: white or anthracite.
Mounting	Different types of walls require different types of fasteners. Always use screws, bolts or dowels designed for the appropriate type of wall. The maximum load of an element always depends on the type of wall, the fixing used and the method of loading.



name	coat.	art. no.	dimensions [mm]		holes [mm]	weight [g]	pack. [pcs]
			a	b	ø6,4		
ARWC 650	○	57301	650	43	4	490	10
	◆	573011	650	43	4	490	10
ARWC 1250	○	57302	1250	43	6	960	10
	◆	573021	1250	43	6	960	10
ARWC 1850	○	57303	1850	43	10	1420	10
	◆	573031	1850	43	10	1420	10

coating:

○ powder coated, color: white

◆ powder coated, color: anthracite

ARWC

Top track



AWLS

Single
hang standard



Application

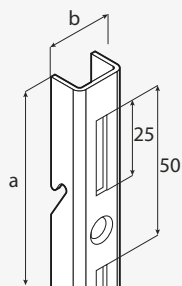
Hang standards designed for the installation of single system brackets and basket frames. Hange standards are the base to which the individual elements of the system are mounted.

Material

Powder coated steel, color: white or anthracite.

Mounting

Different types of walls require different types of fasteners. Always use screws, bolts or dowels designed for the appropriate type of wall. The maximum load of an element always depends on the type of wall, the fixing used and the method of loading.



AWLS 2000

AWLS 1500

AWLS 1000

AWLS 500

AWLS 150

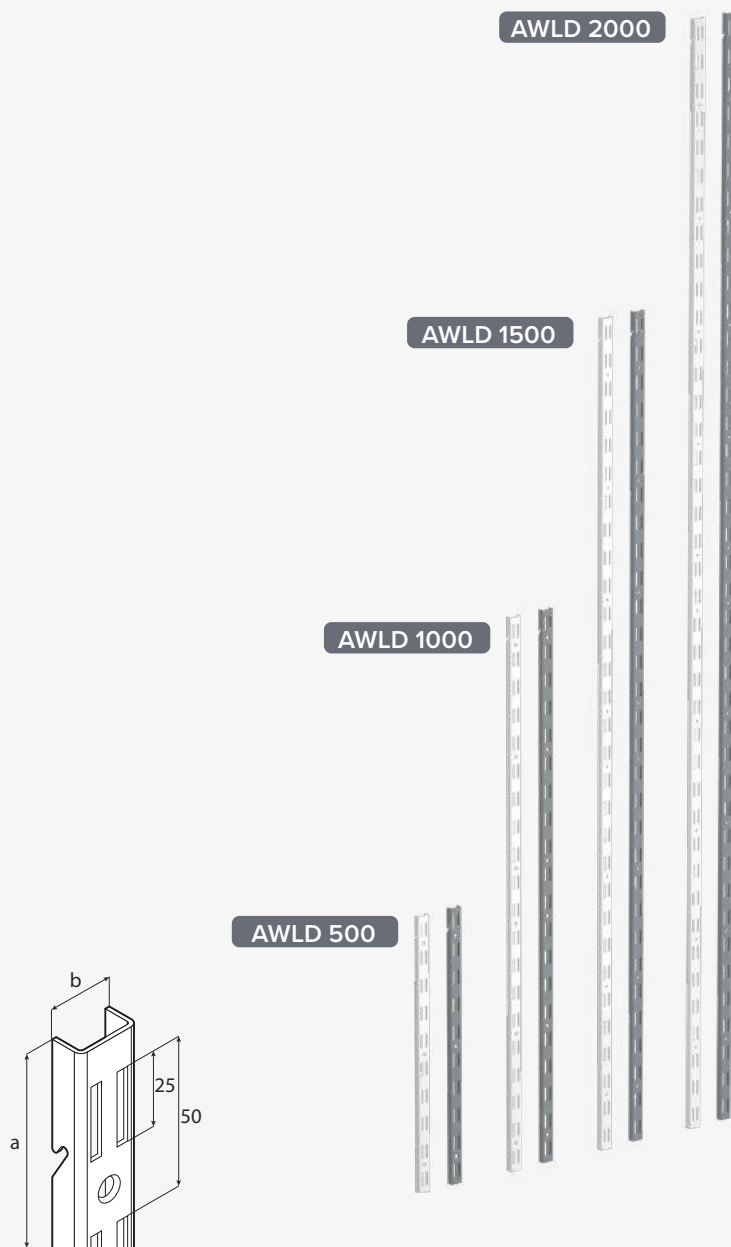
name	coat.	art. no.	dimensions [mm]		holes [mm]	weight [g]	pack. [pcs]
			a	b	ø6,4		
AWLS 150	○	54931	150	17	2	56	10
	◆	54941	150	17	2	55	10
AWLS 500	○	54501	500	17	3	182	10
	◆	54511	500	17	3	181	10
AWLS 1000	○	54521	1000	17	6	361	10
	◆	54531	1000	17	6	356	10
AWLS 1500	○	54541	1500	17	8	544	10
	◆	54551	1500	17	8	540	10
AWLS 2000	○	54561	2000	17	10	722	10
	◆	54571	2000	17	10	712	10

coating:

- powder coated, color: white
- ◆ powder coated, color: anthracite

Application	Hang standards designed for the installation of double system brackets and basket frames.
Material	Powder coated steel, color: white or anthracite.
Mounting	Different types of walls require different types of fasteners. Always use screws, bolts or dowels designed for the appropriate type of wall. The maximum load of an element always depends on the type of wall, the fixing used and the method of loading.

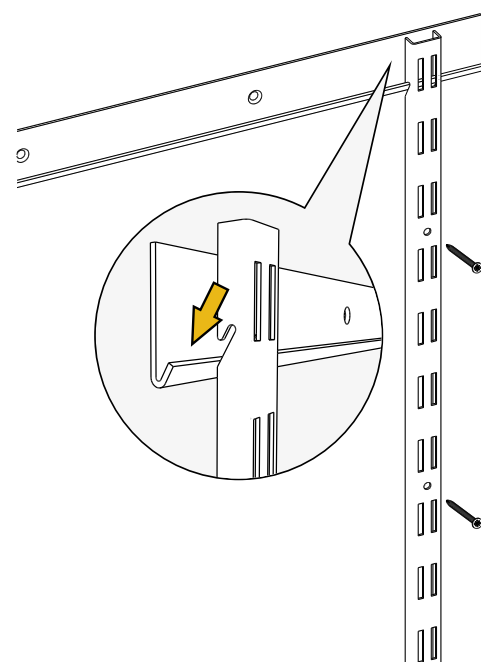
AWLD

Double hang
standard

name	coat.	art. no.	dimensions [mm]		holes [mm]	weight [g]	pack. [pcs]
			a	b	ø6,4		
AWLD 500	○	54581	500	23	3	223	10
	◆	54591	500	23	3	218	10
AWLD 1000	○	54601	1000	23	6	439	10
	◆	54611	1000	23	6	433	10
AWLD 1500	○	54621	1500	23	8	664	10
	◆	54631	1500	23	8	644	10
AWLD 2000	○	54641	2000	23	10	880	10
	◆	54651	2000	23	10	864	10

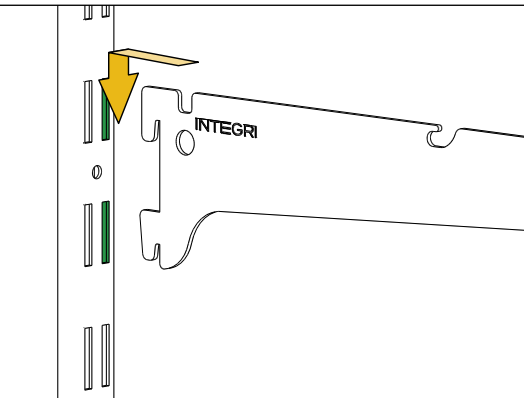
coating:

- powder coated, color: white
- ◆ powder coated, color: anthracite



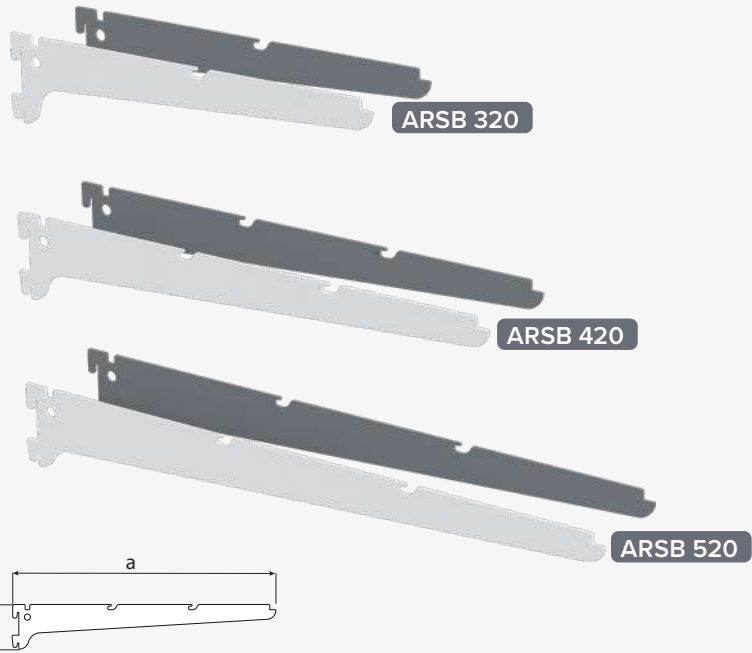
ARSB

Single bracket
for wire shelves



Application
Material
Mounting

Bracket designed for mounting wire shelves of the Integri System.
Powder coated steel, color: white or anthracite.
Bracket designed to be mounted in the single and double hang standards of the Integri System.

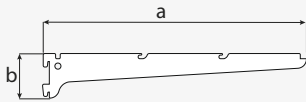
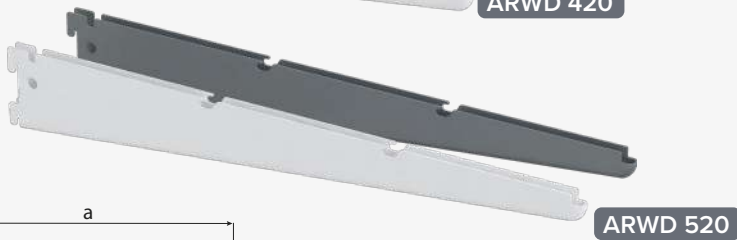


name	coat.	art. no.	dimensions [mm]		weight [g]	pack. [pcs]
			a	b		
ARSB 320	○	57316	330	73	180	10
	◆	573161	330	73	180	10
ARSB 420	○	57317	430	73	250	10
	◆	573171	430	73	250	10
ARSB 520	○	57318	530	73	330	10
	◆	573181	530	73	330	10

coating:
○ powder coated, color: white
◆ powder coated, color: anthracite



Application Bracket designed for mounting wire shelves and rod holders of the Integri System.
Material Powder coated steel, color: white or anthracite.
Mounting Bracket designed to be mounted in the Integri System double hang standards.



ARWD

Double bracket for wire shelves



name	coat.	art. no.	dimensions [mm]		weight [g]	pack. [pcs]
			a	b		
ARWD 320	○	57311	330	73	260	10
	◆	573111	330	73	260	10
ARWD 420	○	57312	430	73	340	10
	◆	573121	430	73	340	10
ARWD 520	○	57313	530	73	420	10
	◆	573131	530	73	420	10

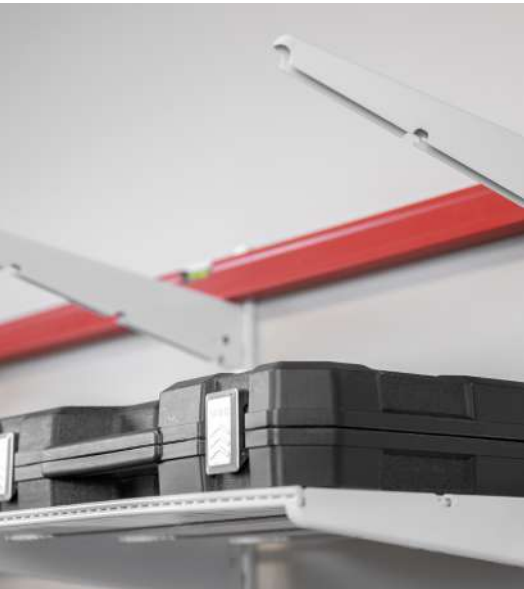
coating:

- powder coated, color: white
- ◆ powder coated, color: anthracite



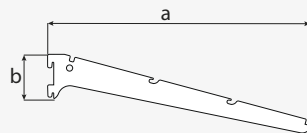
AROB

Sloping bracket
for wire shelves



Application
Material
Mounting

Bracket designed for mounting Integri System wire shelves at a 15° angle.
Powder coated steel, color: white or anthracite.
Bracket designed to be mounted in the single hang standards of the Integri System.



name	coat.	art. no.	dimensions [mm]		weight [g]	pack. [pcs]
			a	b		
AROB 320	○	57314	335	73	260	10
	◆	573141	335	73	260	10
AROB 420	○	57315	437	73	350	10
	◆	573151	437	73	350	10

coating:

- powder coated, color: white
- ◆ powder coated, color: anthracite



WARDROBE



WORKSHOP



LAUNDRY ROOM



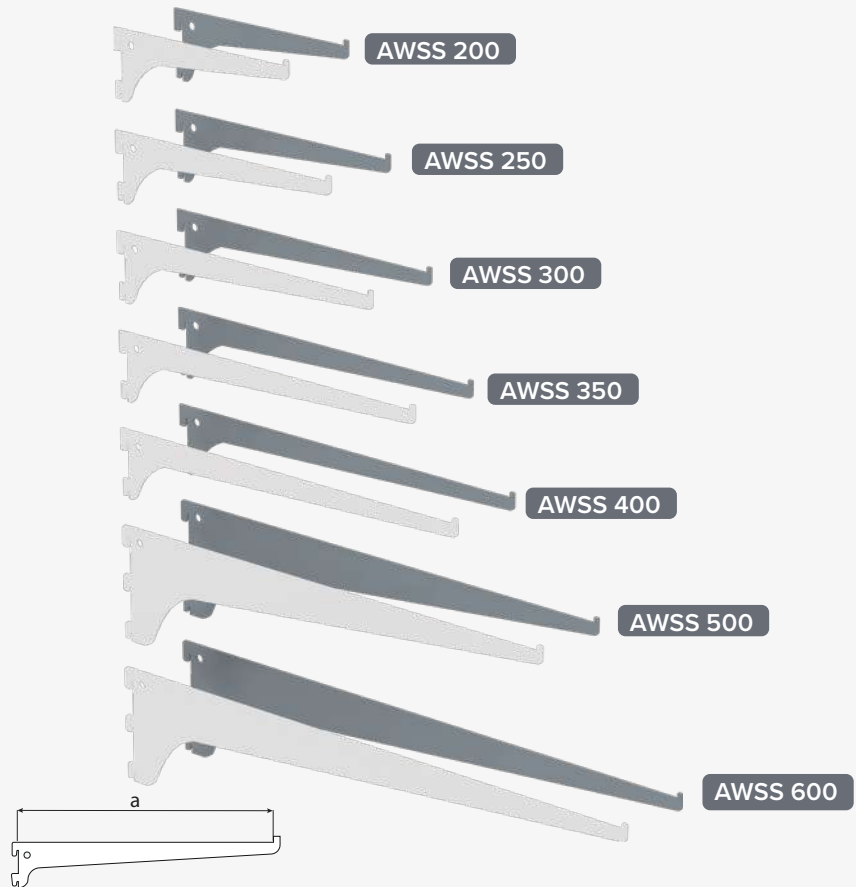
AWSS

Shelf bracket



Application
Material
Mounting

Bracket designed for mounting laminated, wooden shelves.
Powder coated steel, color: white or anthracite.
Bracket designed to be mounted in the single and double hang standards of the Integri System.



name	coat.	art. no.	dimensions [mm]	weight [g]	pack. [pcs]
			a		
AWSS 200	○	5466	200	87	10
	◆	54671	200	86	10
AWSS 250	○	5468	250	118	10
	◆	54691	250	113	10
AWSS 300	○	5470	300	144	10
	◆	54711	300	141	10
AWSS 350	○	5472	350	179	10
	◆	54731	350	177	10
AWSS 400	○	5474	400	209	10
	◆	54751	400	205	10
AWSS 500	○	5476	500	424	10
	◆	54771	500	425	10
AWSS 600	○	5478	600	558	10
	◆	54791	600	557	10

coating:
○ powder coated, color: white
◆ powder coated, color: anthracite

AWSJ AWSO

Laminated shelf connector

AWSJ



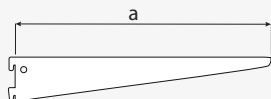
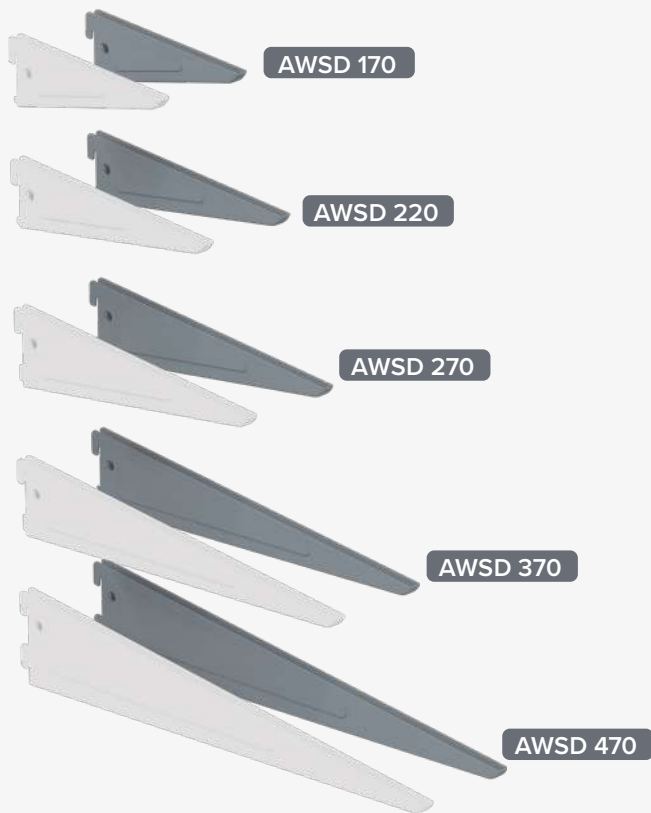
AWSO



name	coat.	art. no.	dimensions [mm]	weight [g]	pack. [pcs]
			a		
AWSJ	●	5490	25	5	12
AWSO	●	5491	45	7	12

coating:
● electrogalvanized, color: silver

Application Bracket designed for mounting laminated, wooden shelves.
Material Powder coated steel, color: white or anthracite.
Mounting Bracket designed to be mounted in the single and double hang standards of the Integri System.



name	coat.	art. no.	dimensions [mm]	weight [g]	pack. [pcs]
			a		
AWSD 170	○	5480	170	80	10
	◆	54811	170	80	10
AWSD 220	○	5482	220	140	10
	◆	54831	220	140	10
AWSD 270	○	5484	270	193	10
	◆	54851	270	193	10
AWSD 370	○	5486	370	269	10
	◆	54871	370	269	10
AWSD 470	○	5488	470	398	10
	◆	54891	470	398	10

coating:
 ○ powder coated, color: white
 ◆ powder coated, color: anthracite

AWSD

Shelf bracket



AWDO

Laminated shelf connector



name	coat.	art. no.	dimensions [mm]	weight [g]	pack. [pcs]
			a		
AWDO	●	5492	32	53	12

coating:
 ● electrogalvanized, color: silver

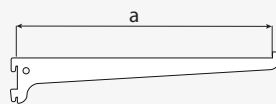
AWSK

Shelf bracket



Application
Material
Mounting

Bracket (left and right) designed for mounting laminated, wooden shelves.
Powder coated steel, color: white or anthracite.
Bracket designed to be mounted in the single and double hang standards of the Integri System.



name	coat.	art. no.	dimensions [mm]	weight [g]	pack. [pcs]
			a		
AWSK 180	○	5680	180	216	10
	◆	56811	180	214	10
AWSK 280	○	5682	280	340	10
	◆	56831	280	337	10
AWSK 380	○	5684	380	689	10
	◆	56851	380	681	10
AWSK 480	○	5686	480	997	10
	◆	56871	480	983	10

coating:
○ powder coated, color: white
◆ powder coated, color: anthracite

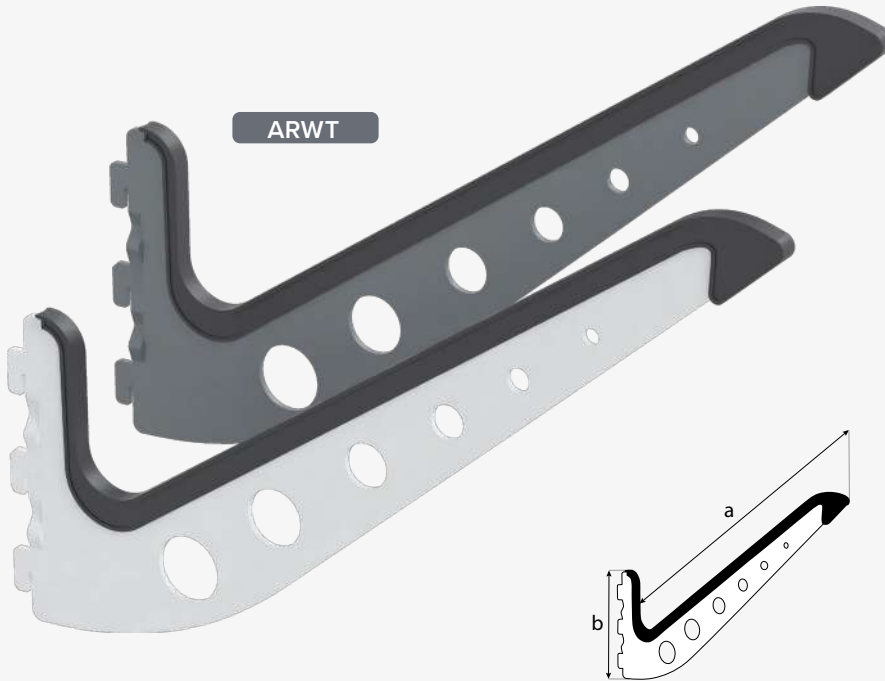
Application The universal bracket with rubber finish is suitable for hanging larger items such as surfboards.

Material Powder coated steel, color: white or anthracite; plastic, color: black.

Mounting Bracket designed to be mounted in the single and double hang standards of the Integri System.

ARWT

Multifunction
bracket



name	coat.	art. no.	dimensions [mm]		weight [g]	pack. [pcs]
			a	b		
ARWT	○▼	57349	460	155	530	10
	◆▼	573491	460	155	530	10

coating:

- ▼ powder coated, color: white + plastic, color: black
- ◆▼ powder coated, color: anthracite + plastic, color: black



ARWA

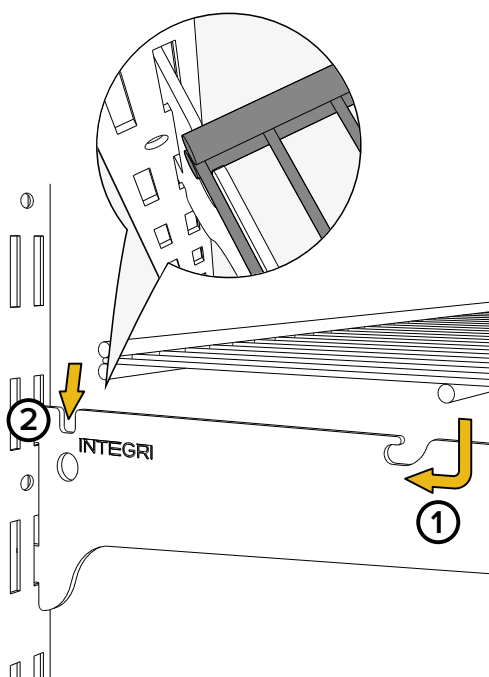
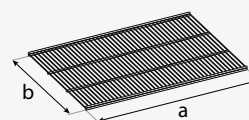
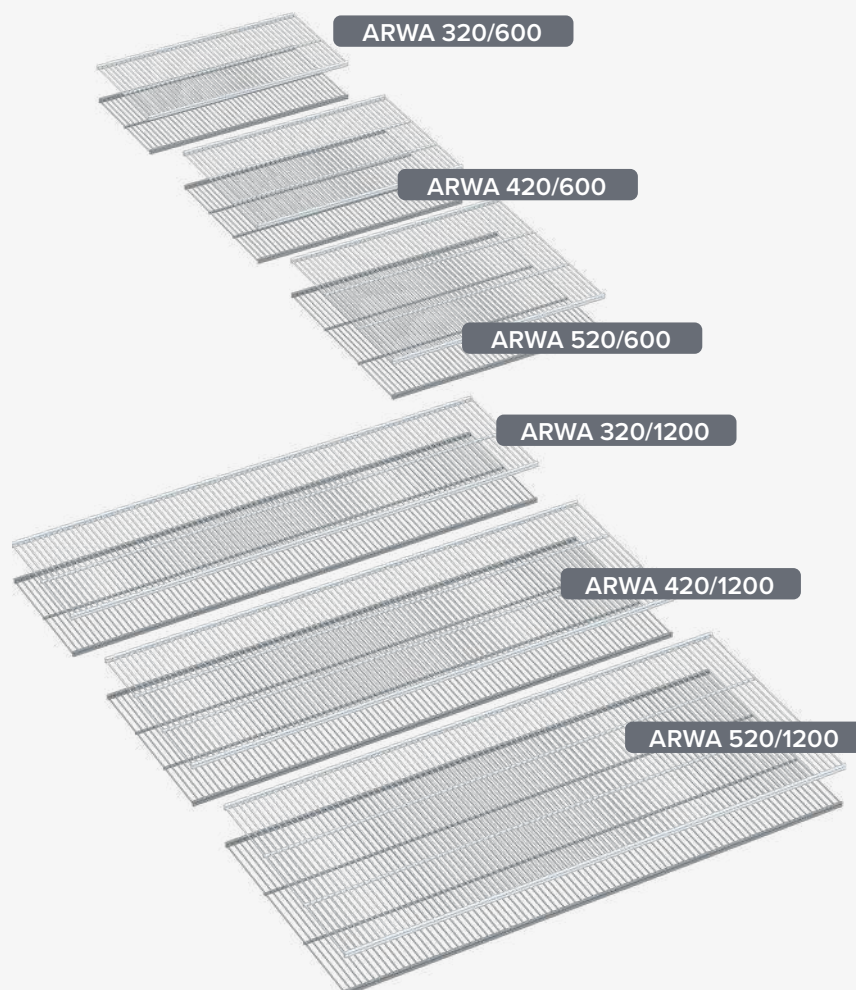
Wire shelf



Application The multipurpose shelf provides sufficient storage space for clothes, accessories or cosmetics.

Material Powder coated steel, color: white or anthracite.

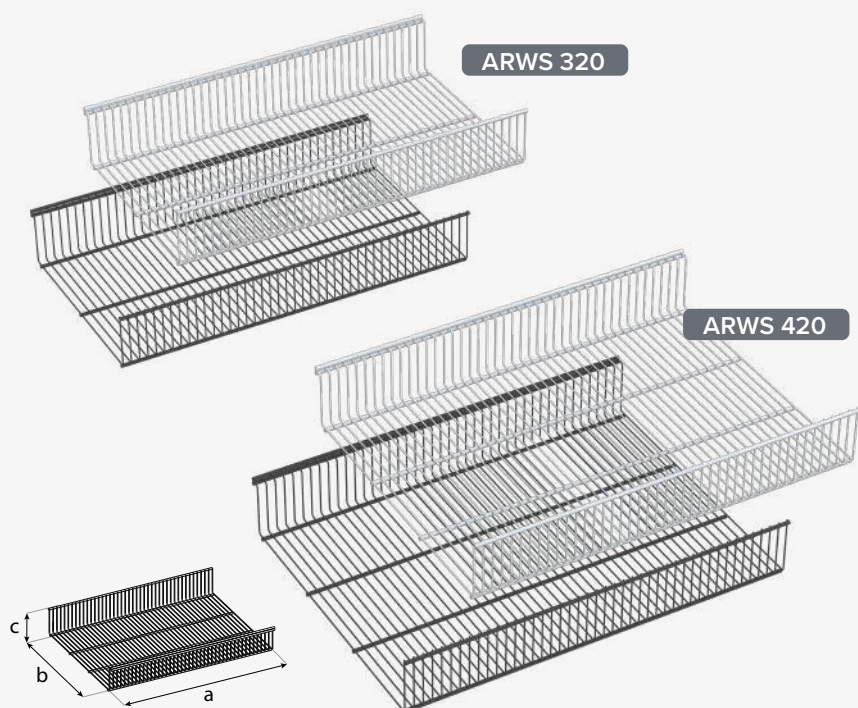
Mounting Shelf designed for mounting on the ARWD, ARSB brackets of the Integri System.



name	coat.	art. no.	dimensions [mm]		weight [g]	pack. [pcs]
			a	b		
ARWA 320/600	○	57199	304	582	880	10
	◆	571991	304	582	880	10
ARWA 320/1200	○	57200	304	1165	1750	5
	◆	572001	304	1165	1750	5
ARWA 420/600	○	57201	407	582	1240	10
	◆	572011	407	582	1100	10
ARWA 420/1200	○	57202	407	1165	2540	5
	◆	572021	407	1165	2180	5
ARWA 520/600	○	57203	508	582	1210	10
	◆	572031	508	582	1210	10
ARWA 520/1200	○	57204	508	1165	2400	5
	◆	572041	508	1165	2400	5

coating:
 ○ powder coated, color: white
 ◆ powder coated, color: anthracite

Application	The multipurpose basket provides sufficient storage space for clothes, accessories or cosmetics.
Material	Powder coated steel, color: white or anthracite.
Mounting	Shelf designed for mounting on the ARWD, AROB, ARSB brackets of the Integri System.

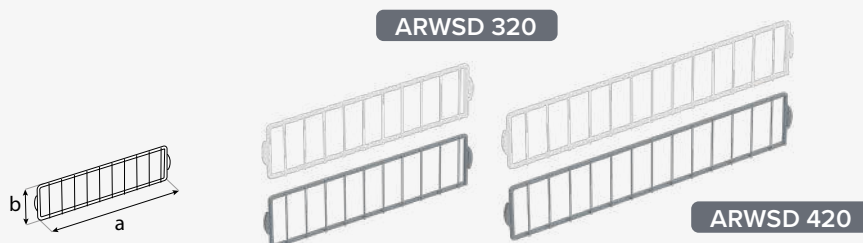


name	coat.	art. no.	dimensions [mm]			weight [g]	pack. [pcs]
			a	b	c		
ARWS 320	○	57321	335	582	96	1200	6
	◆	573211	335	582	96	1200	6
ARWS 420	○	57322	437	582	96	1420	6
	◆	573221	437	582	96	1420	6

coating:

- powder coated, color: white
- ◆ powder coated, color: anthracite

Application	The divider allows wire baskets to be divided into smaller compartments, providing an additional way to organize items.
Material	Powder coated steel, color: white or anthracite.



name	coat.	art. no.	dimensions [mm]		weight [g]	pack. [pcs]
			a	b		
ARWSD 320	○	57331	311	88	180	10
	◆	573311	311	88	180	10
ARWSD 420	○	57332	411	88	220	10
	◆	573321	411	88	220	10

coating:

- powder coated, color: white
- ◆ powder coated, color: anthracite

ARWS

Wire basket
with dividers

ARWSD

Wire basket divider

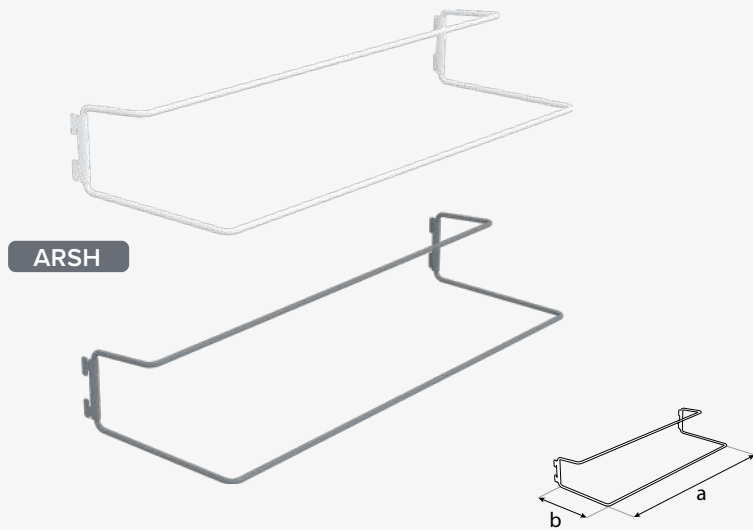


ARSH

Shoes bracket



Application A simple wire bracket designed to hold shoes.
Material Powder coated steel, color: white or anthracite.
Mounting Holder designed to be mounted in the single and double hang standards of the Integri System.



name	coat.	art. no.	dimensions [mm]			weight [g]	pack. [pcs]
			a	b	c		
ARSH	○	57344	573	194	97	370	10
	◆	573441	573	194	97	370	10

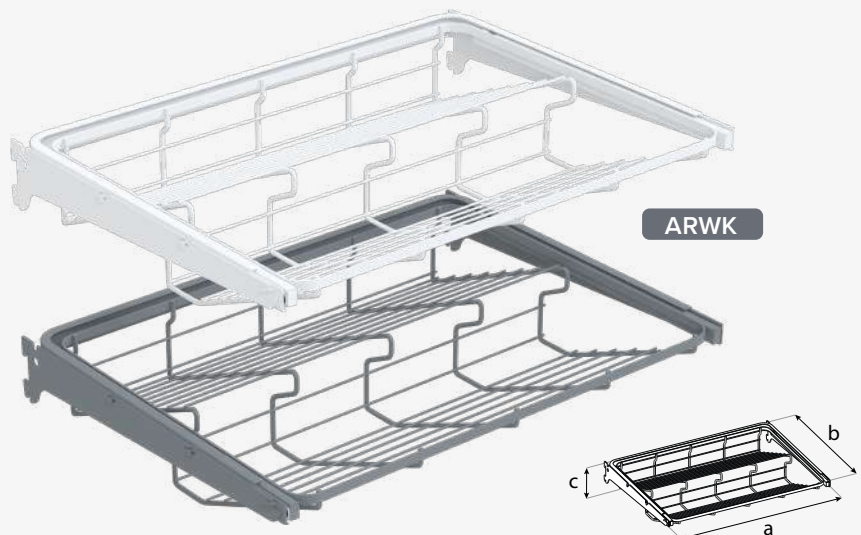
coating:
 ○ powder coated, color: white
 ◆ powder coated, color: anthracite

ARWK

Shoes shelf



Application Sliding shoes shelf, ideal for mounting in wardrobes and closets.
Material Powder coated steel, color: white or anthracite.
Mounting Shelf designed to be mounted in the single and double hang standards of the Integri System.



name	coat.	art. no.	dimensions [mm]			weight [g]	pack. [pcs]
			a	b	c		
ARWK	○	57342	570	435	90	1750	1
	◆	573421	570	435	90	1750	1

coating:
 ○ powder coated, color: white
 ◆ powder coated, color: anthracite

Application	Trouser hanger with 8 rods, ideal to keep your wardrobe organized. The ability to slide out of the frame provides quick access to hanging clothes.
Material	Powder coated steel, color: white or anthracite.
Mounting	Holder designed to be mounted in the single and double hang standards of the Integri System.



name	coat.	art. no.	dimensions [mm]		weight [g]	pack. [pcs]
			a	b		
ARWJ	○	57343	570	435	2000	2
	◆	573431	570	435	2000	2

coating:

- powder coated, color: white
- ◆ powder coated, color: anthracite

ARWJ

Trouser hanger



ARDS

Laundry hanger



Application

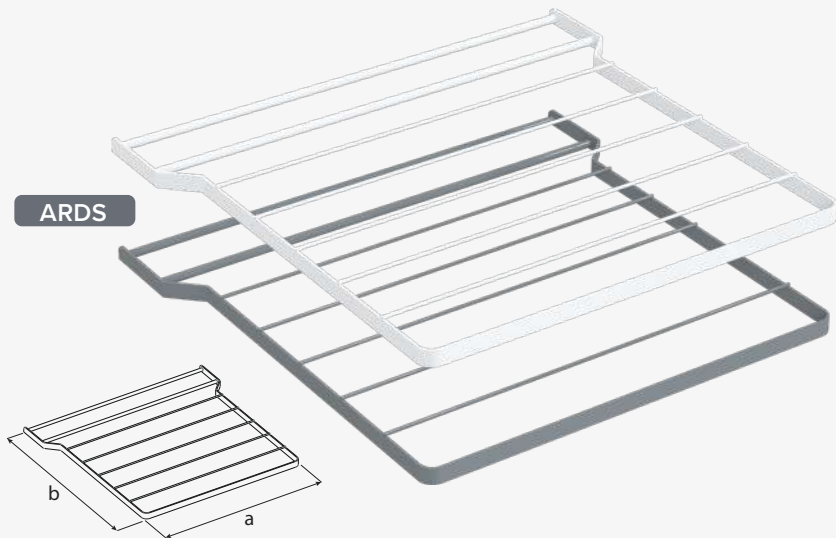
Laundry hanger mounted in ARDC holders with the possibility of setting horizontally and in the retracted version – vertically.

Material

Powder coated steel, color: white or anthracite.

Mounting

Laundry hanger designed to be mounted in Integri System double hang standards. Requires the ARDC hook.



name	coat.	art. no.	dimensions [mm]		weight [g]	pack. [pcs]
			a	b		
ARDS	○	57345	550	600	1030	5
	◆	573451	550	600	1030	5

coating:

- powder coated, color: white
- ◆ powder coated, color: anthracite

ARDC

Laundry hanger hook



Application

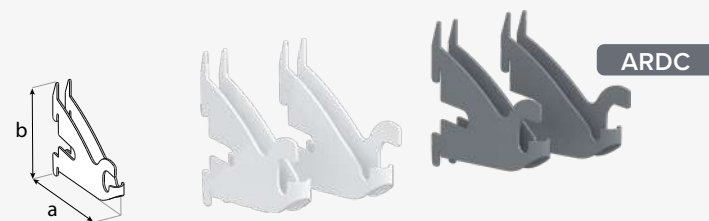
A hook that allows you to hang a laundry rack. Used for double hang standards.

Material

Powder coated steel, color: white or anthracite.

Mounting

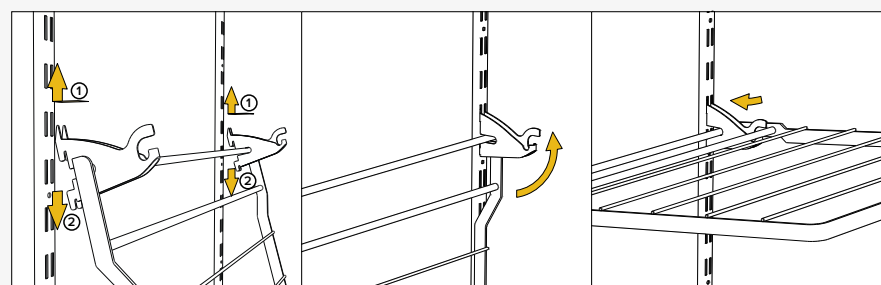
Hook designed for installation in the Integri System double hang standards.



name	coat.	art. no.	dimensions [mm]		weight [g]	pack. [pcs]
			a	b		
ARDC	○	57346	110	88	190	5
	◆	573461	110	88	190	5

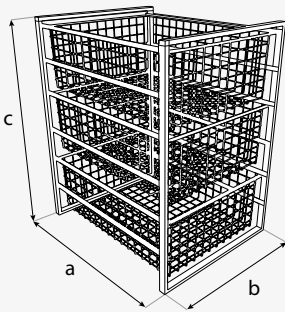
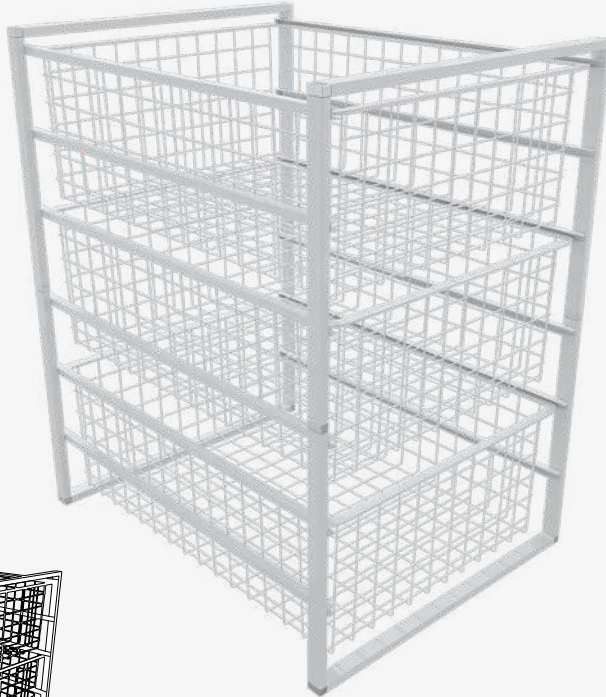
coating:

- powder coated, color: white
- ◆ powder coated, color: anthracite



Application	The standalone set of baskets is ideal for bathrooms and utility rooms such as the laundry room.
Material	Powder coated steel, color: white.
Mounting	Standalone, requires assembly according to instructions.

ARWN



ARWN

Set of wire baskets

name	coat.	art. no.	dimensions [mm]			weight [g]	pack. [pcs]
			a	b	c		
ARWN	○	57291	545	435	630	5900	1

coating:

○ powder coated, color: white



ARWI

Basket frame



Application
Material
Mounting

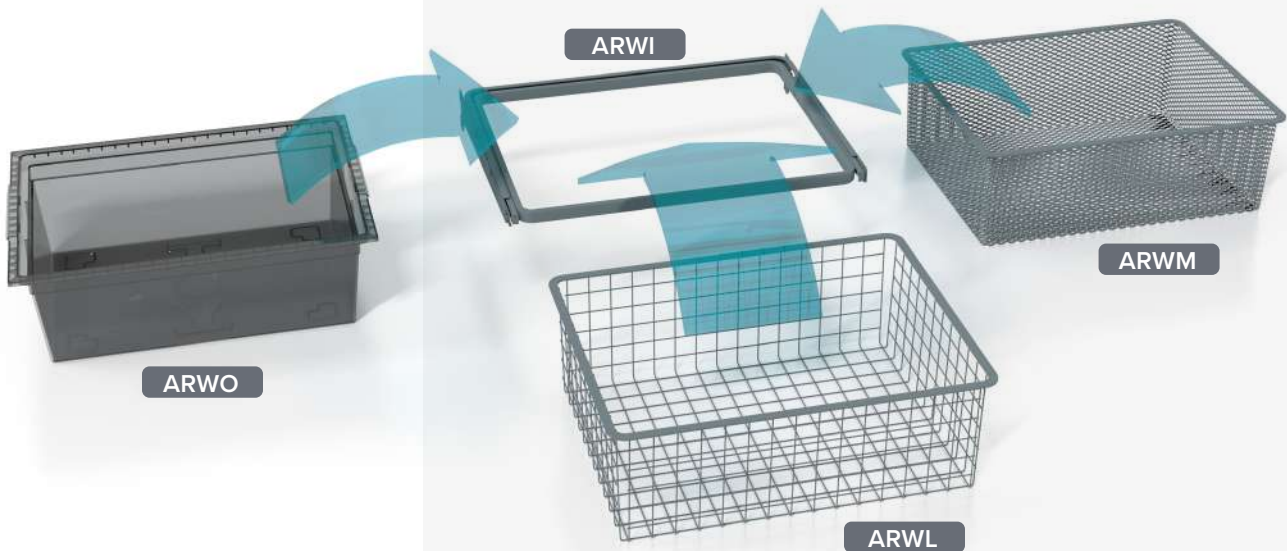
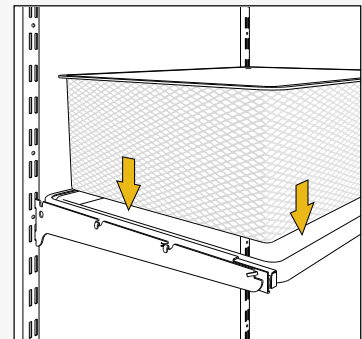
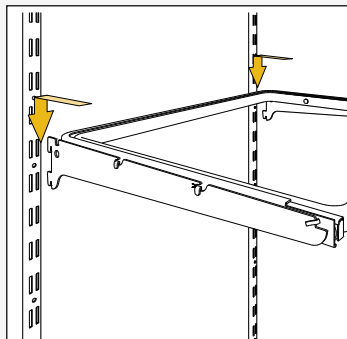
The basket frame allows baskets and plastic boxes to slide out.
Powder coated steel, color: white or anthracite.
The frame is designed to be mounted in the vertical single and double hang standards.



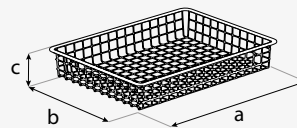
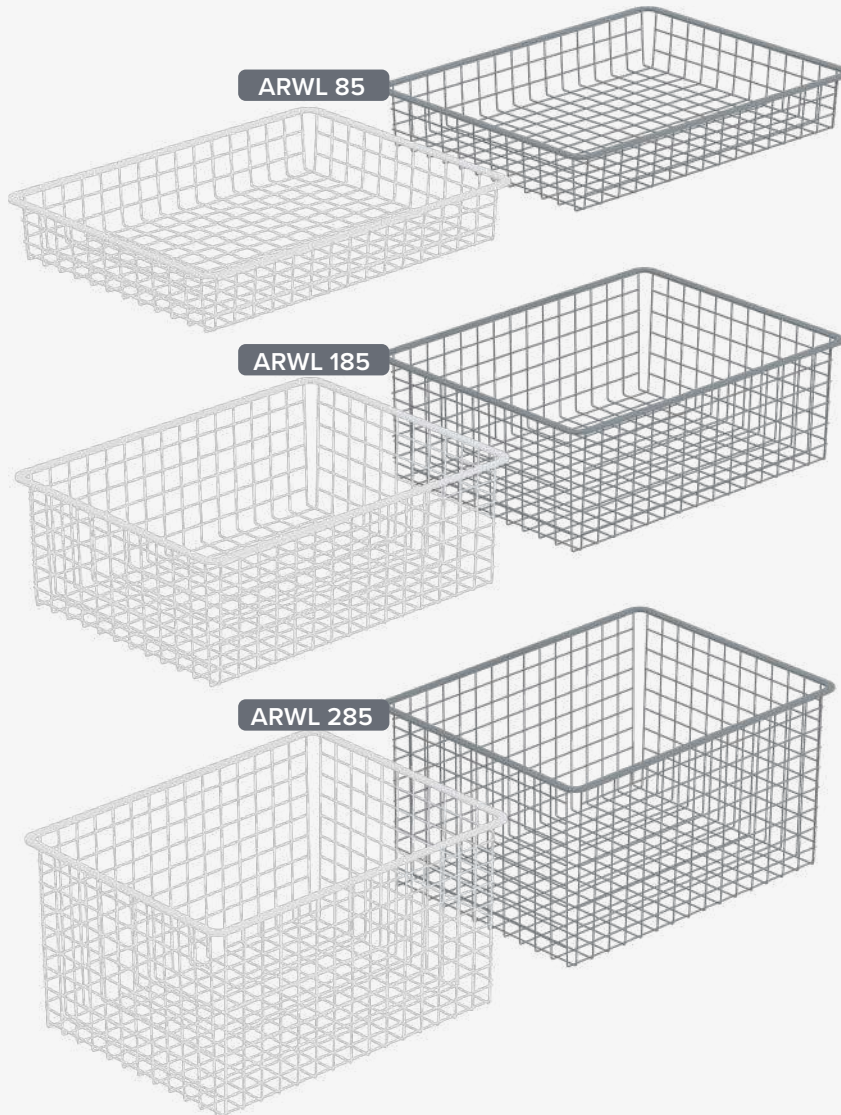
ARWI

name	coat.	art. no.	dimensions [mm]		weight [g]	pack. [pcs]
			a	b		
ARWI	○	57341	572	426	1400	1
	◆	573411	572	426	1400	2

coating:
○ powder coated, color: white
◆ powder coated, color: anthracite



Application	The multipurpose wide-mesh basket provides adequate storage space for clothes or laundry.
Material	Powder coated steel, color: white or anthracite.
Mounting	Requires ARWI basket frame.



name	coat.	art. no.	dimensions [mm]			weight [g]	pack. [pcs]
			a	b	c		
ARWL 85	○	57271	535	410	85	655	10
	◆	572711	535	410	85	655	10
ARWL 185	○	57272	535	410	185	770	10
	◆	572721	535	410	185	770	10
ARWL 285	○	57273	535	410	285	950	5
	◆	572731	535	410	285	950	5

coating:

- powder coated, color: white
- ◆ powder coated, color: anthracite

ARWL

Wire basket



ARWM

Mesh basket



Application

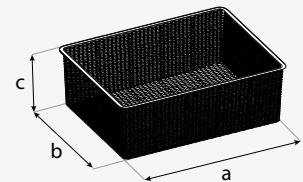
A multipurpose basket made of fine mesh provides sufficient storage space for clothes, accessories or cosmetics.

Material

Powder coated steel, color: white or anthracite.

Mounting

Requires ARWI basket frame.

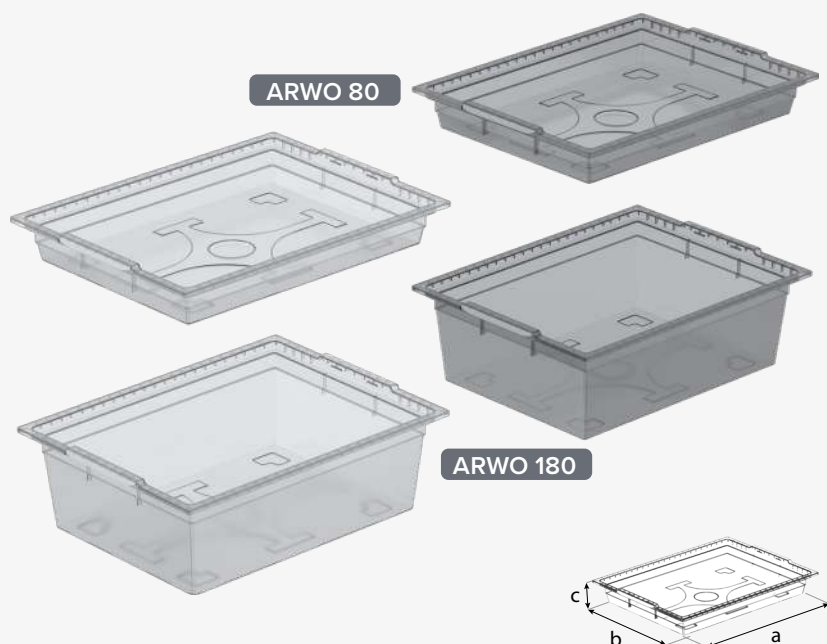


name	coat.	art. no.	dimensions [mm]			weight [g]	pack. [pcs]
			a	b	c		
ARWM 85	○	57281	535	410	85	1045	10
	◆	572811	535	410	85	1045	10
ARWM 185	○	57282	535	410	185	1170	10
	◆	572821	535	410	185	1170	10
ARWM 285	○	57283	535	410	285	1500	5
	◆	572831	535	410	285	1500	5

coating:

- powder coated, color: white
- ◆ powder coated, color: anthracite

Application Universal box made of transparent plastic will help to organize accessories.
Material Transparent plastic or transparent gray color.
Mounting Fits the ARWI basket frame.



name	coat.	art. no.	dimensions [mm]			weight [g]	pack. [pcs]
			a	b	c		
ARWO 80	▼	57292	535	410	80	811	5
	▼	572921	535	410	80	811	5
ARWO 180	▼	57293	535	410	180	1063	5
	▼	572931	535	410	180	1062	5

coating:

- ▼ plastic, transparent
- ▼ plastic, color: transparent gray

Application Lid for the box made of transparent plastic.
Material Transparent plastic or transparent gray color.
Mounting Fits the ARWO containers.



name	coat.	art. no.	dimensions [mm]		weight [g]	pack. [pcs]
			a	b		
ARWOD	▼	57294	535	410	452	10
	▼	572941	535	410	452	10

coating:

- ▼ plastic, transparent
- ▼ plastic, color: transparent gray

ARWO

Plastic box



ARWOD

Plastic box lid



ARWH

Clothes bar



Application The clothes bar is ideal for wardrobe organization, providing quick access to selected clothes.

Material Steel + chrome.

Mounting Requires ARWP or ARWG bar holder.



name	coat.	art. no.	dimensions [mm]	weight [g]	pack. [pcs]
			a		
ARWH 600	■	57251	620	305	10
ARWH 1200	■	57252	1245	585	10

coating:
■ chrome

ARWF

Clothes bar cap



Application A set of 2 pieces of caps that fit as an ARWH clothes bar end.

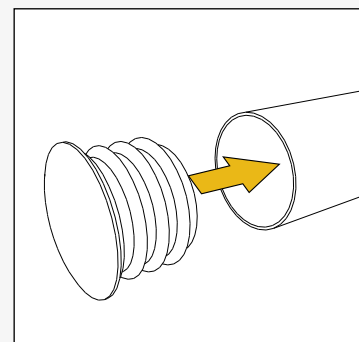
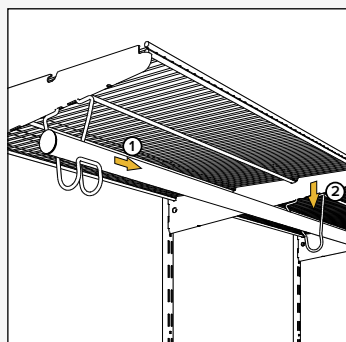
Material Chrom + plastic, color: black.

Mounting Inserted into ARWH bar.

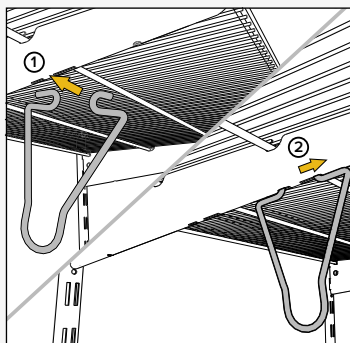


name	coat.	art. no.	dimensions [mm]	weight [g]	pack. [pcs]
			a		
ARWF	■ ▼	57242	25	21	10

coating:
■ ▼ chrome + plastic, color: black



Application A holder that allows mounting clothes bars.
Material Steel electrogalvanized, color: silver.
Mounting The holder requires ARWD brackets.



ARWP

name	coat.	art. no.	dimensions [mm]		weight [g]	pack. [pcs]
			a	b		
ARWP	●	57347	110	4	190	10

coating:

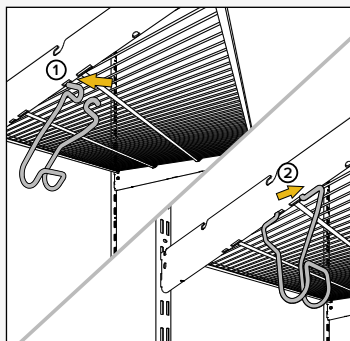
● electrogalvanized, color: silver

ARWP

Bar holder single



Application A holder that allows connecting clothes bars.
Material Steel electrogalvanized, color: silver.
Mounting The holder requires ARWD brackets.



ARWG

name	coat.	art. no.	dimensions [mm]		weight [g]	pack. [pcs]
			a	b		
ARWG	●	573471	110	70	190	10

coating:

● electrogalvanized, color: silver

ARWG

Bar holder double



ARHWS

Hook for wire shelves

Application

A hook attached to the shelf extends its functionality by allowing you to hang additional clothes or accessories.

Material

Powder coated steel, color: white or anthracite.

Mounting

Hook designed to fit in the ARWA and ARWS wire shelves of the Integri System.



ARHWS

name	coat.	art. no.	dimensions [mm]		weight [g]	pack. [pcs]
			a	b		
ARHWS	○	57348	28	74	30	10
ARHWS	◆	573481	28	74	30	10

coating:

○ powder coated, color: white

◆ powder coated, color: anthracite



Application Horizontal rail for mounting goliat system hooks. It provides an ideal solution for the garage and workshop.

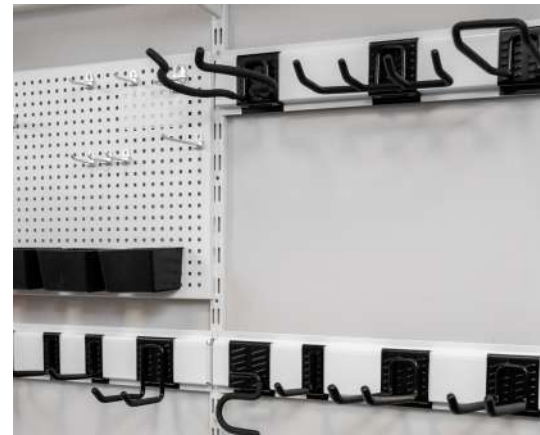
Material Powder coated steel, color: white or anthracite.

Mounting The rail is designed to be mounted in the Integri System's single and double hang standards.



ARR

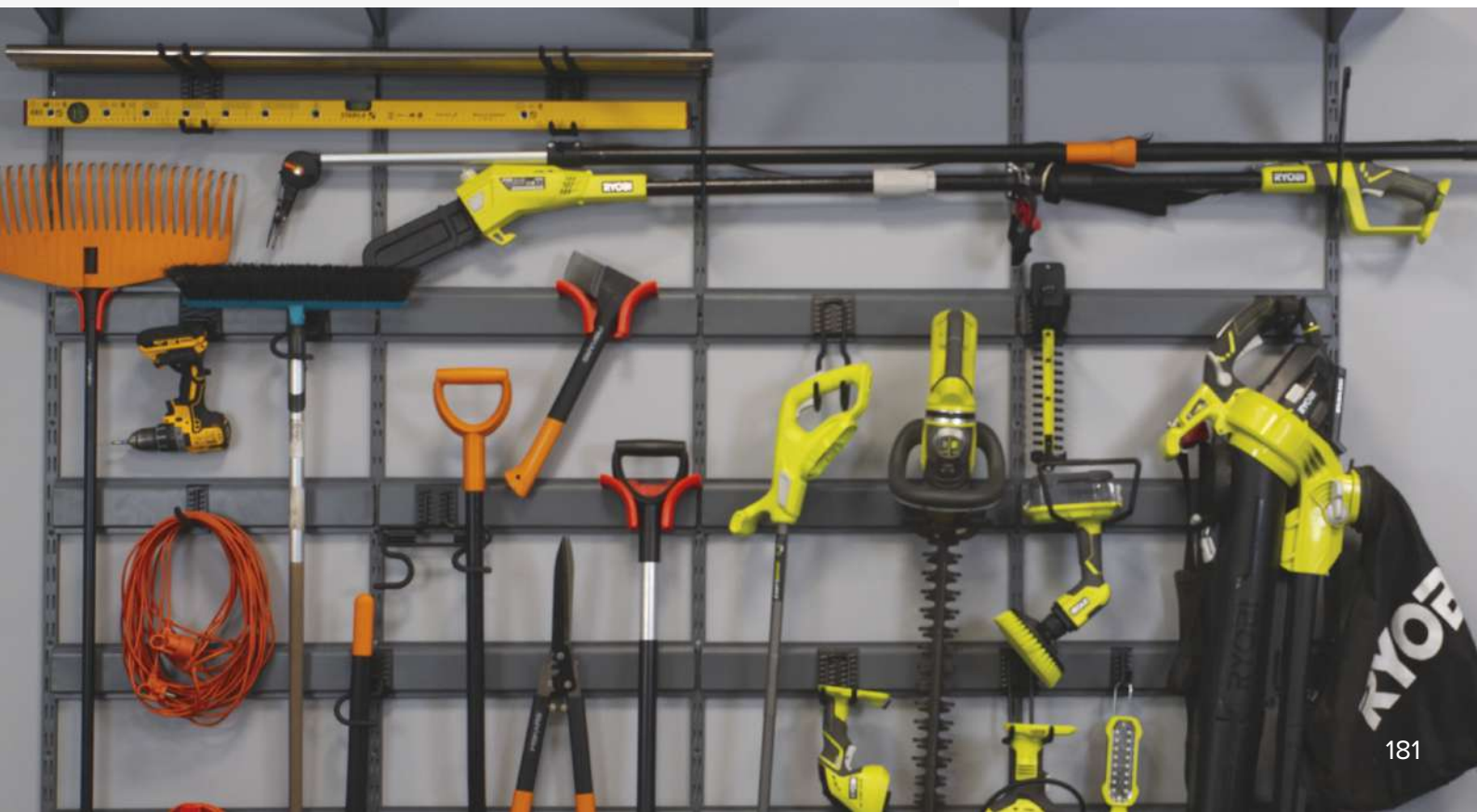
Goliat horizontal rail



name	coat.	art. no.	dimensions [mm]		weight [g]	pack. [pcs]
			a	b		
ARR	○	57353	576	94	654	10
ARR	◆	573531	576	94	654	10

coating:

- powder coated, color: white
- ◆ powder coated, color: anthracite



SGH

Garage hooks



Application

The Goliat garage hooks will keep your garage in order, whilst their black colour and modern design will add style to your garage. Due to the possibility of convenient storage of various types of garden tools, sports equipment or electric tools, it allows for functional use of wall space. The hooks are made of steel with a rubber coating on the parts that come into direct contact with the items to be hung to protect them from scratches.

Material

Powder coated steel, color: black; rubber, color: black.

Mounting

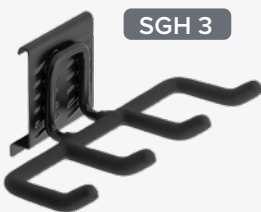
Brackets to be clipped onto the ARR mounting rail of the Integri System or the SGS of the Goliat System.



SGH 1



SGH 2



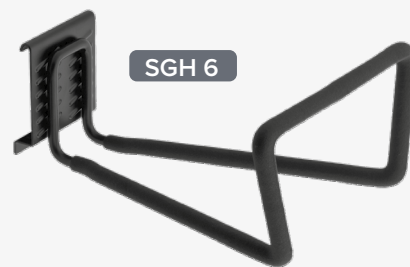
SGH 3



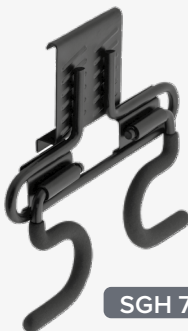
SGH 4



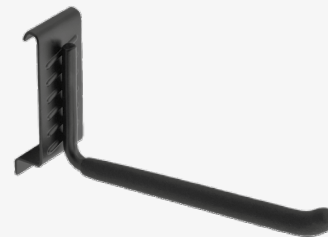
SGH 5



SGH 6



SGH 7



SGH 8



SGH 9



SGH 10



SGH 11



SGH 12



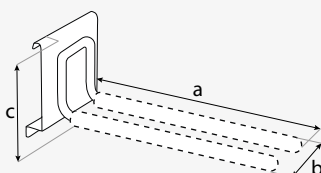
SGH 13



SGH 14



SGH 15



name	coat.	art. no.	dimensions [mm]					weight [g]	pack. [pcs]
			a	b	c	≠	∅		
SGH 1	●▼	5873	200	75	90	1,8	12	339	*
SGH 2	●▼	5874	240	75	90	1,8	12	396	*
SGH 3	●▼	5875	130	210	90	1,8	12	419	*
SGH 4	●▼	5876	220	75	90	1,8	12	345	*
SGH 5	●▼	5877	175	80	230	1,8	12	438	*
SGH 6	●▼	5878	265	75	110	1,8	12	494	*
SGH 7	●▼	5879	207	–	205	1,8	12	567	*
SGH 8	●▼	5880	190	38	90	1,8	12	157	*
SGH 9	●▼	5881	140	38	90	1,8	12	129	*
SGH 10	●▼	5882	58	38	115	1,8	8	98	*
SGH 11	●▼	5883	230	80	180	1,8	12	468	*
SGH 12	●▼	5884	145	75	105	1,8	12	303	*
SGH 13	●▼	5885	270	76	115	1,8	12	512	*
SGH 14	●▼	5886	145	–	75	1,8	12	218	*
SGH 15	●▼	5887	240	165	90	1,8	12	351	*

* information available directly from the retailer

coating:

●▼ powder coated, color: black + rubber, color: black

SGH

Garage hooks



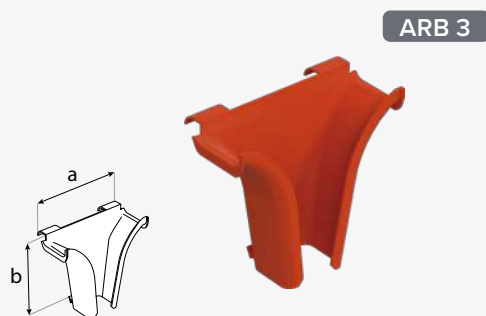
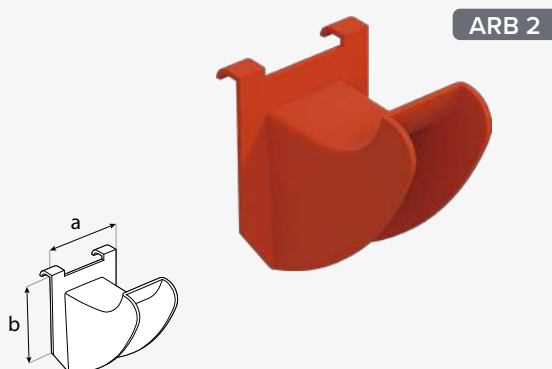
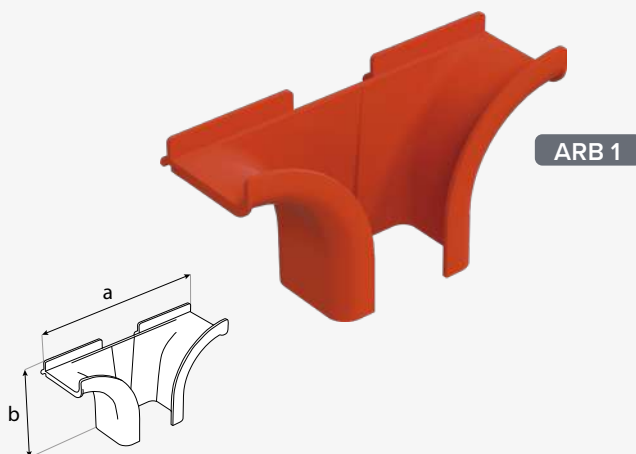
ARB

Rail bracket



Application The SGS rail-mounted clip-on holders make it possible to hang almost any tool which has a handle, e.g. a shovel, broom, axe, etc., on the wall. Further expand the storage possibilities in the garage or utility room and give each tool its own individual place on the wall.

Material Plastic, color: orange.
Mounting Handles clipped onto the ARR rail of the Integri System or the SGS Goliat System.



name	coat.	art. no.	dimensions [mm]		weight [g]	pack. [pcs]
			a	b		
ARB 1	▼	57356	180	95	90	10
ARB 2	▼	57357	150	100	40	10
ARB 3	▼	57358	70	80	20	10

coating:
▼ plastic, color: orange

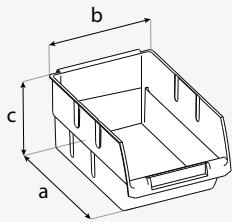
Application The PE Workshop Containers attach to the SGS rail. Thanks to their compact size, accessories can be clearly arranged and mounted on the rail for quick and easy access. The plastic containers are ideal for storing small parts.

Material Plastic, color: orange.

Mounting Boxes clipped onto the mounting rail of the ARR Integri System or the SGS Goliat System.

ARC

PE container



ARC



name	coat.	art. no.	dimensions [mm]			weight [g]	pack. [pcs]
			a	b	c		
ARC	▼	57355	160	100	80	90	10

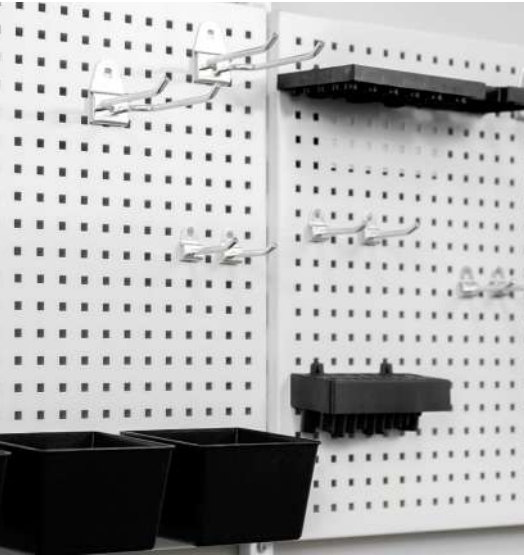
coating:

▼ plastic, color: orange



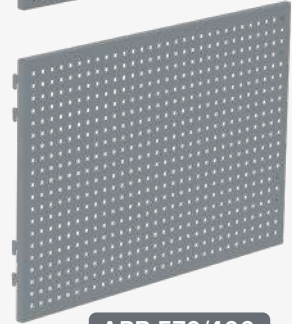
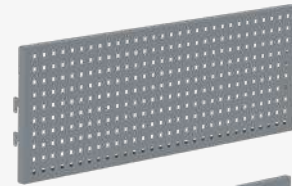
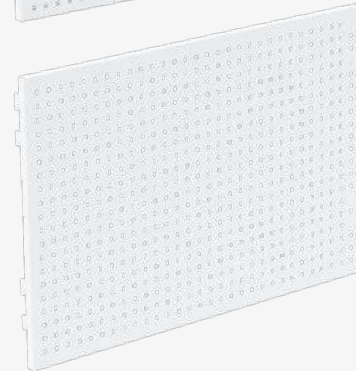
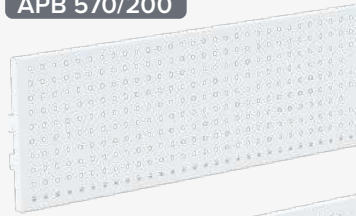
APB

Tool board



- Application** Tool board with perforations to insert additional containers and tool hooks.
- Material** Powder coated steel, color: white or anthracite.
- Mounting** The board is designed to be mounted in the vertical single and double hang standards of the Integri System.

APB 570/200



APB 570/400

name	coat.	art. no.	dimensions [mm]		weight [g]	pack. [pcs]
			a	b		
APB 570/400	○	57351	576	397	1650	10
	◆	573511	576	397	1650	10
APB 570/200	○	57352	576	197	900	10
	◆	573521	576	197	900	10

coating:

- powder coated, color: white
- ◆ powder coated, color: anthracite

ARA

Hooks set



- Application** A set of hooks, key holders and boxes, designed to be mounted on tool boards.
- Material** Steel electrogalvanized, color: silver; plastic, color: black.
- Mounting** All components of the kit require the Integri System's APB tool board.

ARA



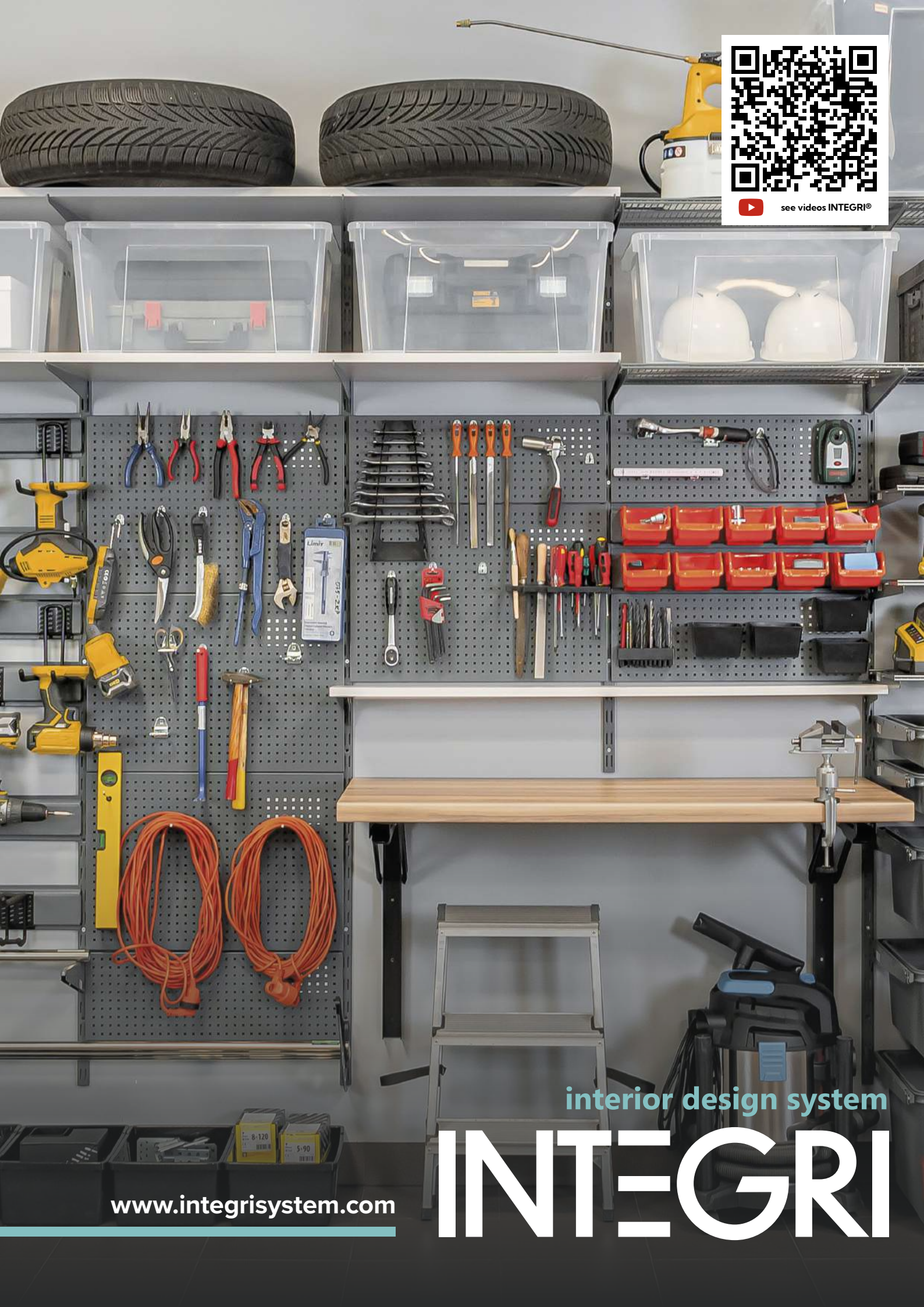
name	coat.	art. no.	weight [g]	pack. [pcs]
ARA	● / ▼	57354	1187	1

coating:

- electrogalvanized, color: silver
- ▼ plastic, color: black



see videos INTEGRi®



www.integrisystem.com

interior design system
INTEGRi

**DOMAX Sp. z o.o.**

al. Parku Krajobrazowego 109
Łężyce, 84-207 Koleczkowo, Poland
tel. +48 58 665 82 22
fax: +48 58 665 81 20
e-mail: handlowy@domax.com
www.domax.com

**DOMAX Česko s.r.o.**

Staroměstská 534
739 61 Třinec, Czech Republic
tel. +420 558 273 401
e-mail: obchod@domax.cz

**DOMAX SK s.r.o.**

Nádražná 329
015 01 Rajec, Slovakia
tel. +421 (0) 41 598 3002
e-mail: obchod@domax.com

**DOMAX System Distribution S.R.L.**

Str. George Cosbuc, nr. 13, et. 1,
camera 1
Ploiești, România
+40 770 245 911
e-mail: birou@domax.com

**DOMAX Distribution d.o.o.**

ul. Koledovčina 8
10000 Zagreb
Hrvatska
tel. +385 99 524 3260
e-mail: ured@domax.com

**DMX System doo**

Trnjaci 38
11500 Krtinska Obrenovac, Serbia
tel. +381 11 875 5064
tel. +381 65 245 7294
tel. +381 65 245 7293
e-mail: office@dmxsystem.com

**DOMAX Bulgaria LTD**

Домакс България ЕООД
София
ул. Сан Стефано 23 А, ет. 2 ап. 4
тел. +359 882809169
e-mail: officebg@domax.com

**DOMAX in Spain**

David Jaén Segura
tel. +34 977 18 29 44
fax: +34 977 69 16 49
movil: +34 607 90 48 26
e-mail: d.jaen@domax.com

**DOMAX in Baltics**

SIA Polfix
Stabu iela 105, Riga
LV-1009 Latvia
tel. +371 28334477
e-mail: baltics@domax.com

**DOMAX in Moldova**

Група компаний LIDER SRL „Profmet Grup”
г. Кишинев
ул. Петриканская 33
тел. (+373) 84-46-71
факс: (+373) 84-46-72
e-mail: krepej@lider.md

**DOMAX Deutschland UG**

Ehrenbergstraße 23
14195 Berlin, Deutschland
Tel. + 49 17679072971
e-mail: verkauf@domax.com